



US00D489219S

(12) **United States Design Patent**
O'Connor et al.

(10) **Patent No.:** **US D489,219 S**

(45) **Date of Patent:** **** May 4, 2004**

(54) **CARAFE WITH ANGULAR HANDLE**

(75) **Inventors:** **Joseph O'Connor, London (GB);**
Sebastian Conran, London (GB)

(73) **Assignee:** **Megatrade International, Inc.,**
Nashville, TN (US)

(**) **Term:** **14 Years**

(21) **Appl. No.:** **29/174,012**

(22) **Filed:** **Jan. 10, 2003**

(51) **LOC (7) Cl.** **07-01**

(52) **U.S. Cl.** **D7/319; D7/317**

(58) **Field of Search** **D7/300, 312, 316,**
D7/317, 318, 319; 222/146.6, 465.1, 572,
566; 220/574, 755

(56) **References Cited**

U.S. PATENT DOCUMENTS

D281,479 S	*	11/1985	Zimmermann	D7/317
D285,039 S	*	8/1986	Zimmermann	D7/317
4,605,134 A	*	8/1986	Zimmermann	222/566
D285,400 S	*	9/1986	Zimmermann	D7/317
D286,732 S	*	11/1986	Darnell	D7/319
D293,538 S	*	1/1988	Zimmermann	D7/317
D293,643 S	*	1/1988	Bormioli	D7/318
D300,708 S	*	4/1989	Minuti	D7/317
D300,709 S	*	4/1989	Chen	D7/321

D302,370 S	*	7/1989	Gibert	D7/317
D308,153 S	*	5/1990	Collins	D7/322
D311,475 S	*	10/1990	Durand	D7/317
D315,471 S	*	3/1991	Deursen	D7/317
D346,300 S	*	4/1994	Morgan	D7/318
D347,544 S	*	6/1994	Horbochuk	D7/318
D354,880 S	*	1/1995	Huang	D7/319
D394,982 S	*	6/1998	Huang	D7/319
D395,576 S	*	6/1998	Huang	D7/319
D414,978 S	*	10/1999	Bruckner	D7/318
D481,254 S	*	10/2003	Lin	D7/318

* cited by examiner

Primary Examiner—M. N. Pandozzi

(74) *Attorney, Agent, or Firm*—Hunton & Williams LLP

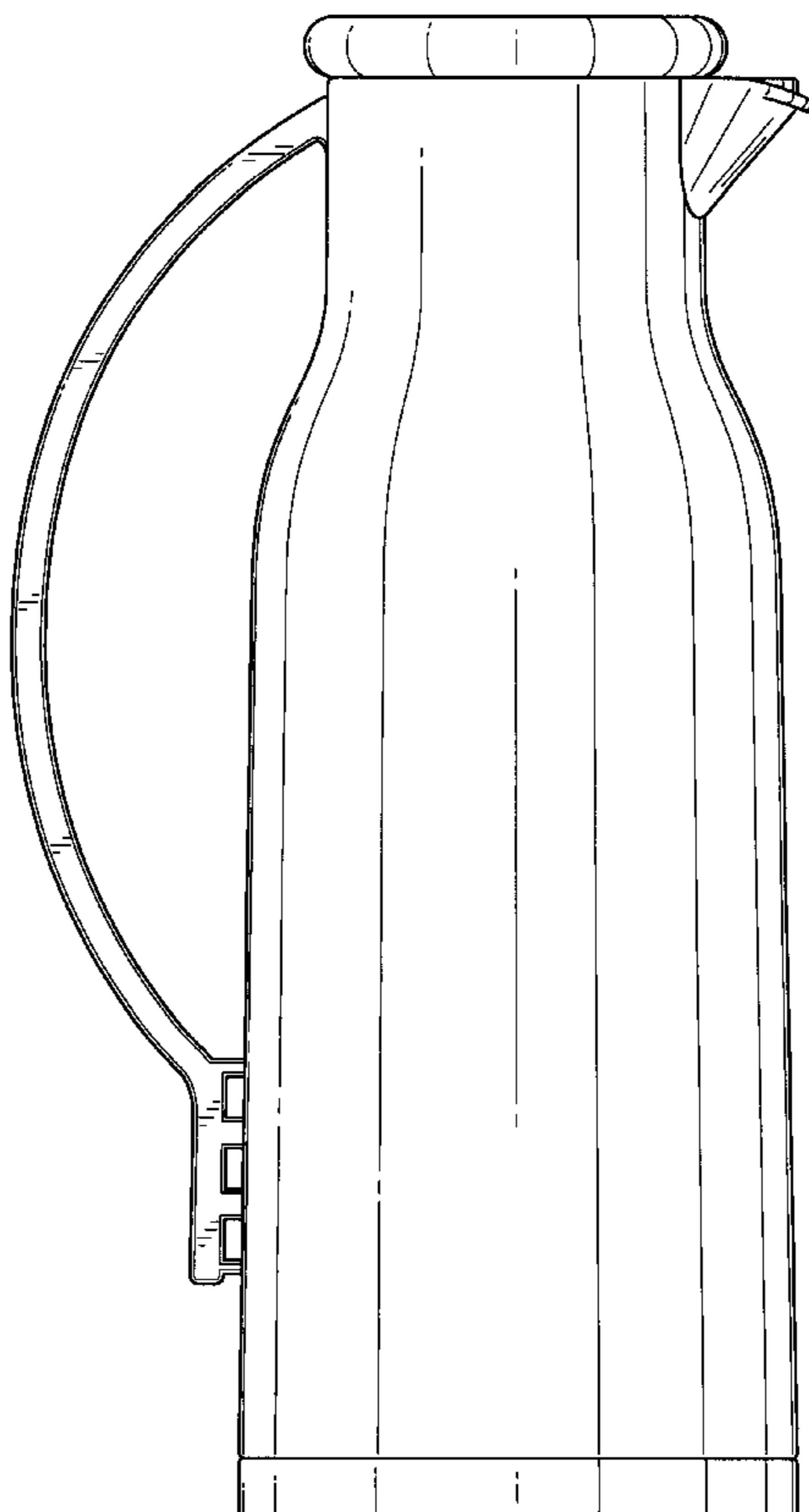
(57) **CLAIM**

The ornamental design for a carafe with angular handle, as shown and described.

DESCRIPTION

FIG. 1 is a front elevational view of the carafe with angular handle showing our new design;
FIG. 2 is a rear elevational view thereof;
FIG. 3 is a side elevational view thereof;
FIG. 4 is an exploded side elevational view thereof;
FIG. 5 is a top plan view thereof; and,
FIG. 6 is a bottom plan view thereof.

1 Claim, 5 Drawing Sheets



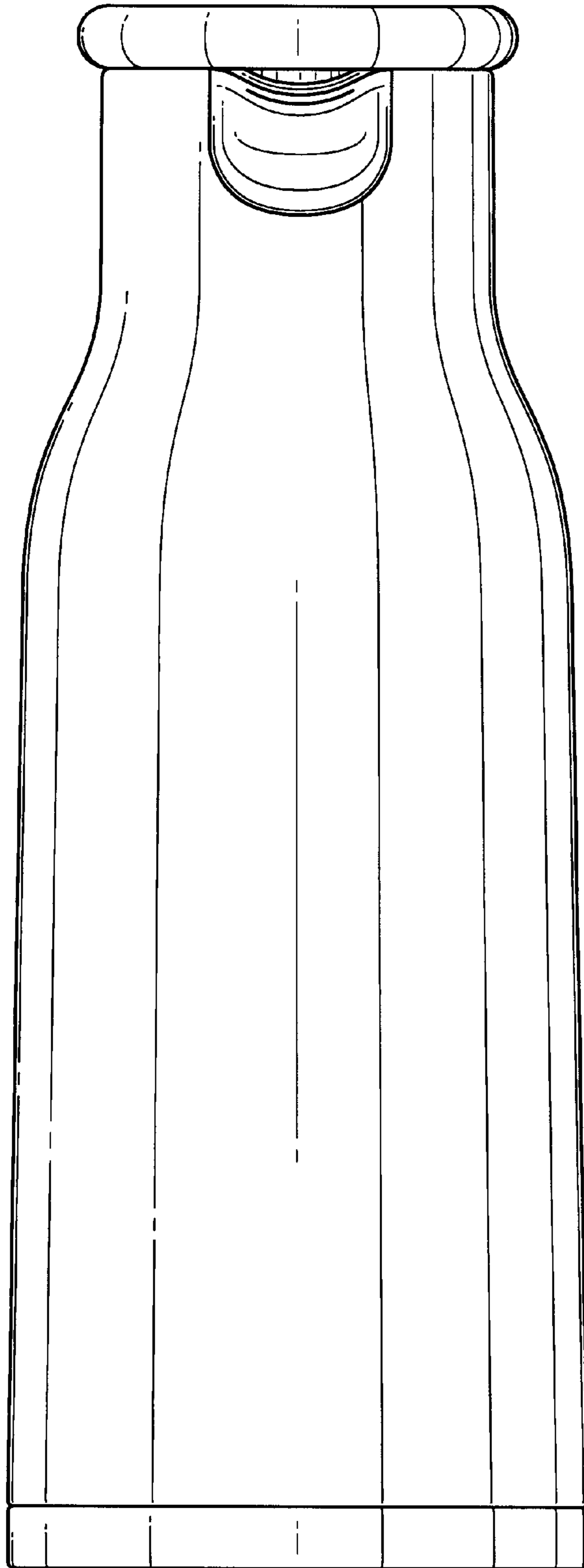


FIG. 1

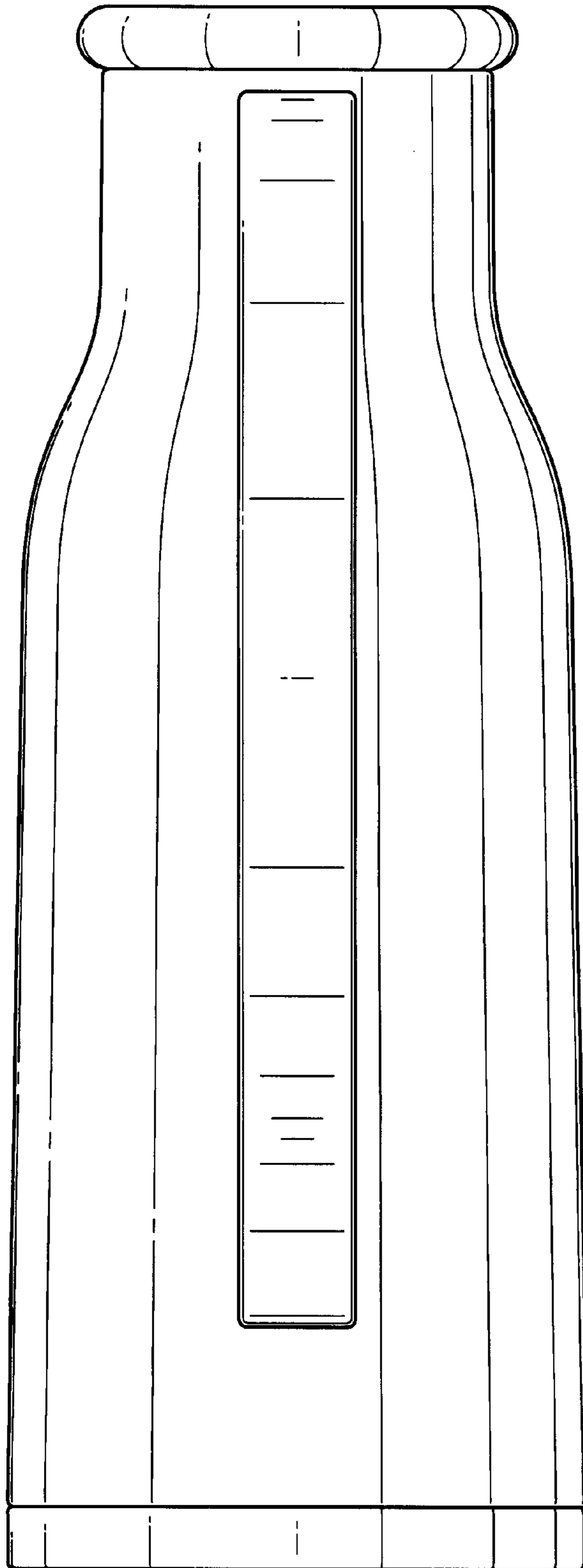


FIG. 2

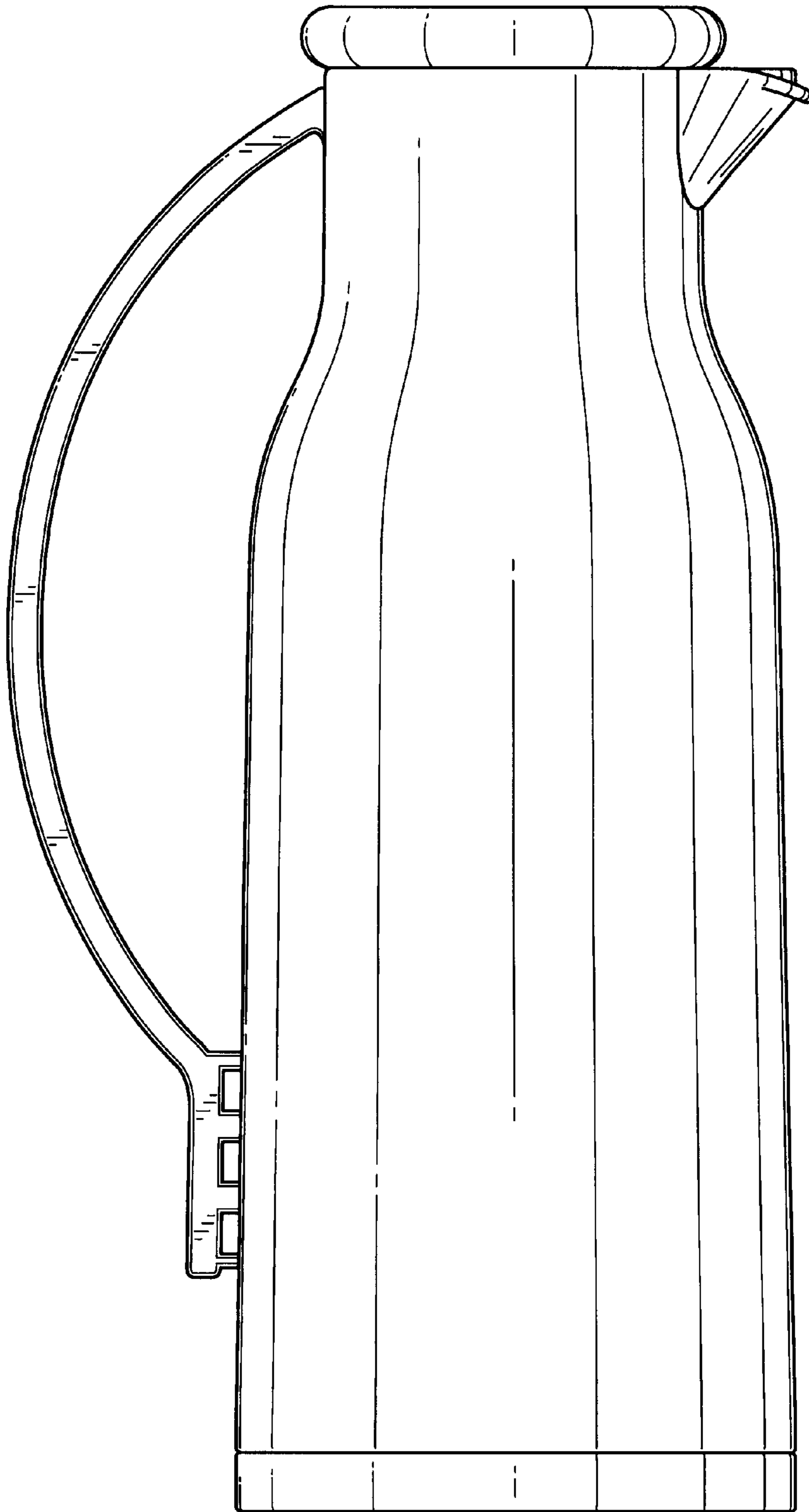


FIG. 3

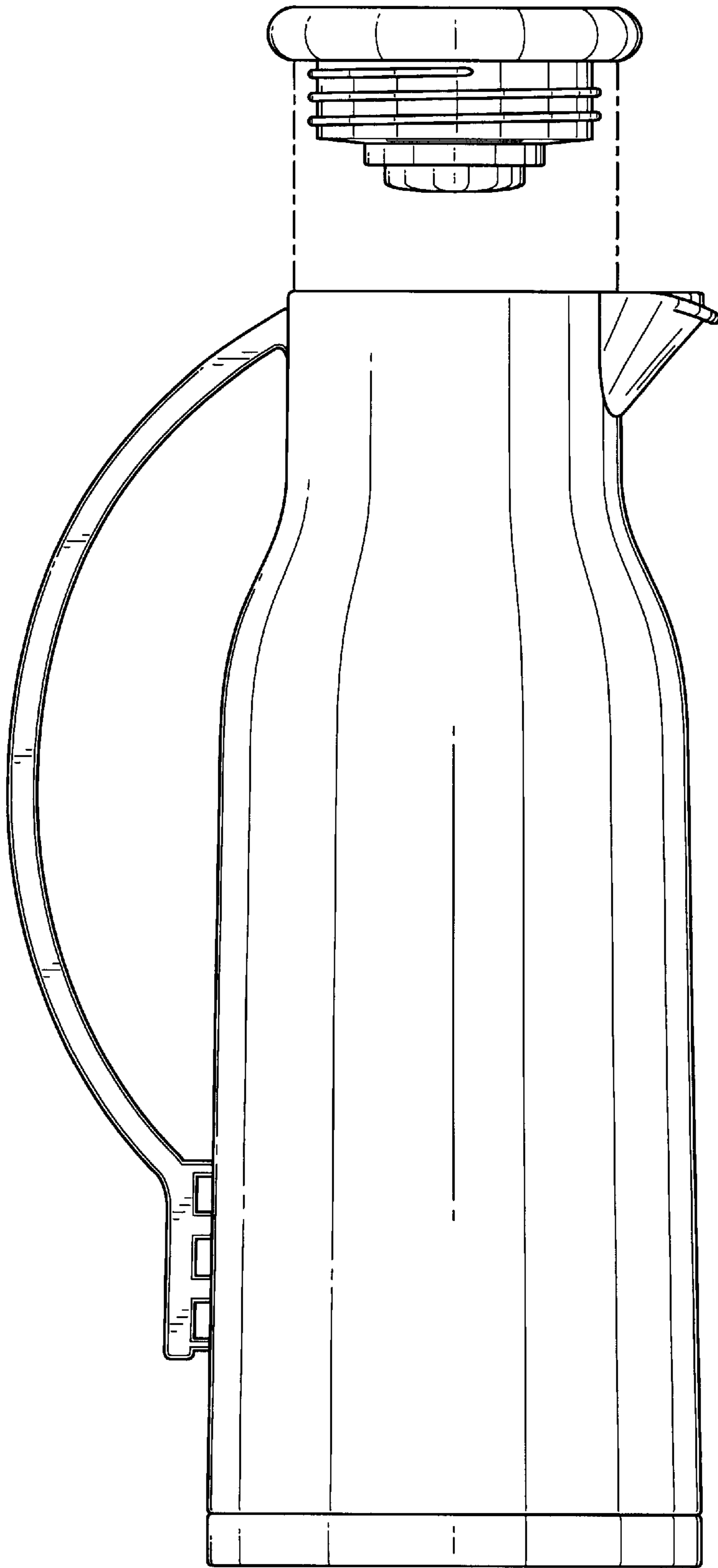


FIG. 4

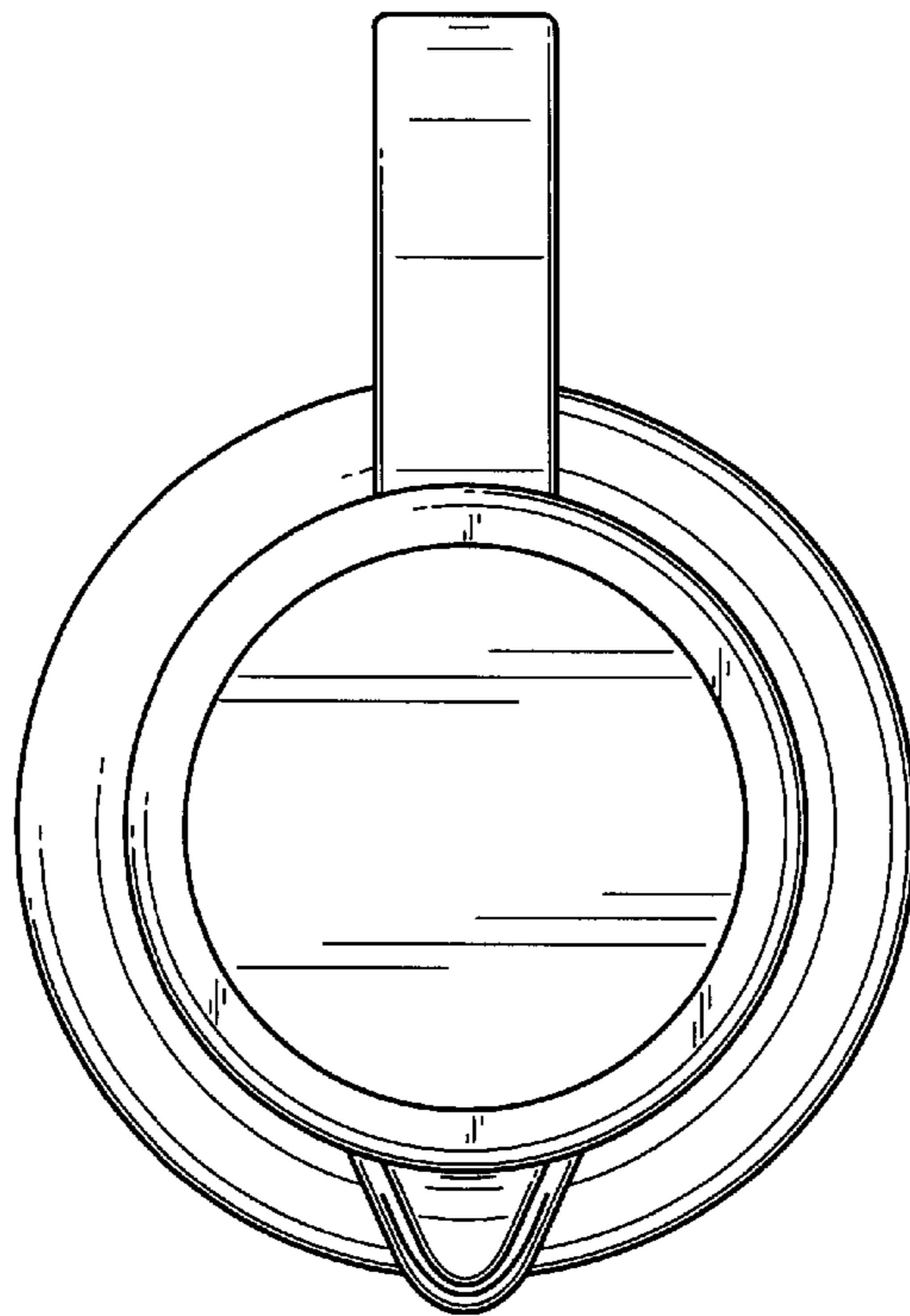


FIG. 5

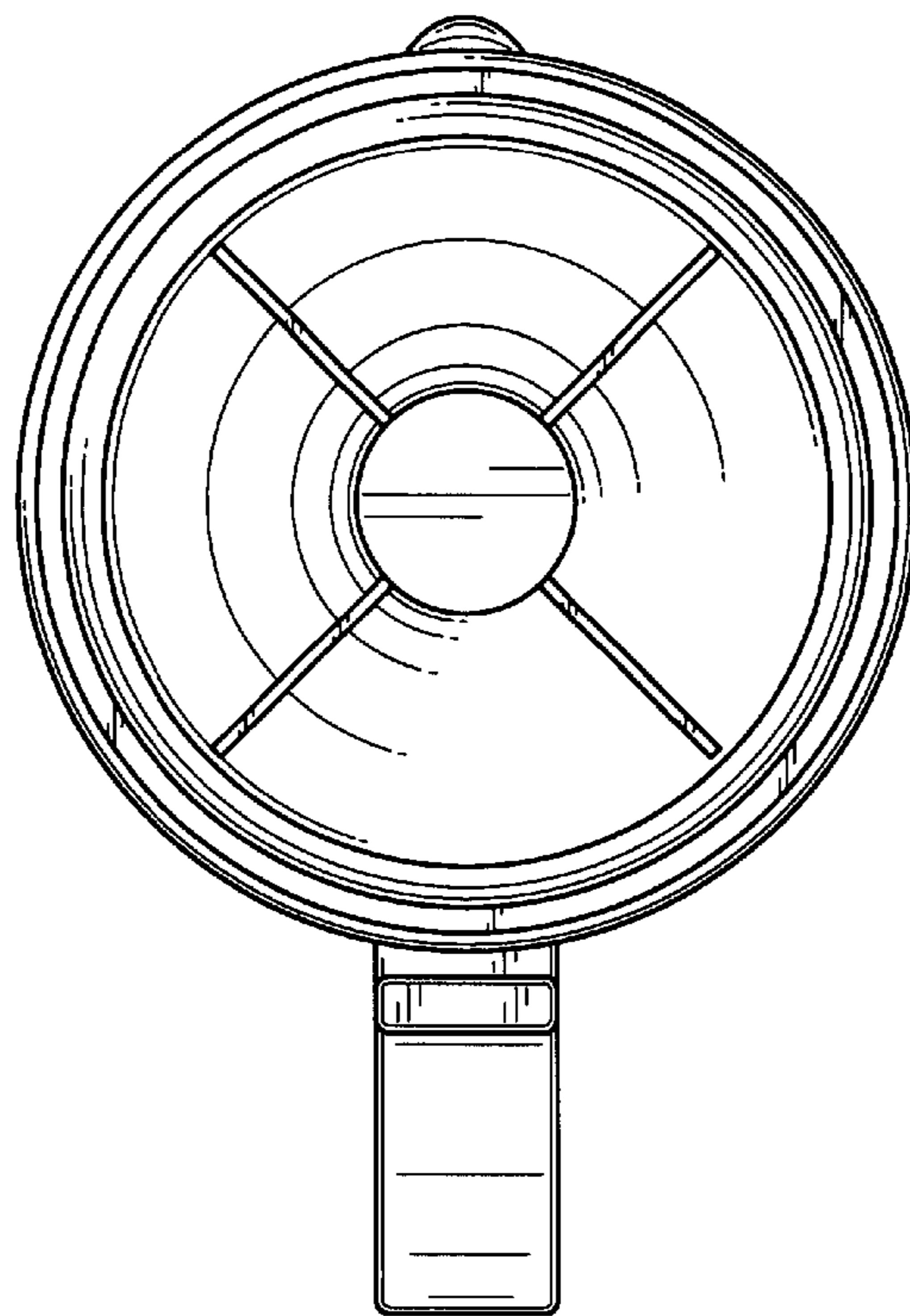


FIG. 6