



US00D489217S

(12) **United States Design Patent**  
**Seum et al.**

(10) **Patent No.:** **US D489,217 S**

(45) **Date of Patent:** **\*\* May 4, 2004**

(54) **COFFEE MAKER**

(75) Inventors: **Michael T. Seum**, St. Joseph, MI (US);  
**John B. Ledingham**, St. Joseph, MI  
(US); **Philip M. Thompson**, St. Joseph,  
MI (US); **Jonathan M. Dalton**,  
Portland, OR (US); **Jamian Cobbett**,  
Portland, OR (US)

(73) Assignee: **Whirlpool Corporation**, Benton  
Harbor, MI (US)

(\*\*) Term: **14 Years**

(21) Appl. No.: **29/178,375**

(22) Filed: **Mar. 25, 2003**

(51) **LOC (7) Cl.** ..... **07-01**

(52) **U.S. Cl.** ..... **D7/309; D7/310; D7/311**

(58) **Field of Search** ..... **D7/300, 309, 310,**  
**D7/311; 99/295, 304, 306, 279, 284, 307;**  
**392/467**

(56) **References Cited**

**U.S. PATENT DOCUMENTS**

D337,475 S	*	7/1993	Seiffert	.....	D7/309
D342,860 S	*	1/1994	Azpiri	.....	D7/309
D354,193 S	*	1/1995	Storsberg	.....	D7/309
D360,802 S	*	8/1995	Seiffert	.....	D7/309

D364,306 S	*	11/1995	Storsberg	.....	D7/309
D385,455 S	*	10/1997	Cortese	.....	D7/309
D411,403 S	*	6/1999	Gudefin	.....	D7/309
D431,748 S	*	10/2000	Cahen	.....	D7/309
D431,749 S	*	10/2000	Cahen	.....	D7/309
D431,750 S	*	10/2000	Cahen	.....	D7/309
D431,751 S	*	10/2000	Cahen	.....	D7/309
D441,593 S	*	5/2001	Gudefin	.....	D7/309
D449,198 S	*	10/2001	Cahen	.....	D7/309
D449,199 S	*	10/2001	Cahen	.....	D7/309
D449,488 S	*	10/2001	Cahen	.....	D7/309
D457,375 S	*	5/2002	Picozza et al.	.....	D7/309

\* cited by examiner

*Primary Examiner*—M. N. Pandozzi

(74) *Attorney, Agent, or Firm*—Stephen Krefman; John F.  
Colligan; Robert O. Rice

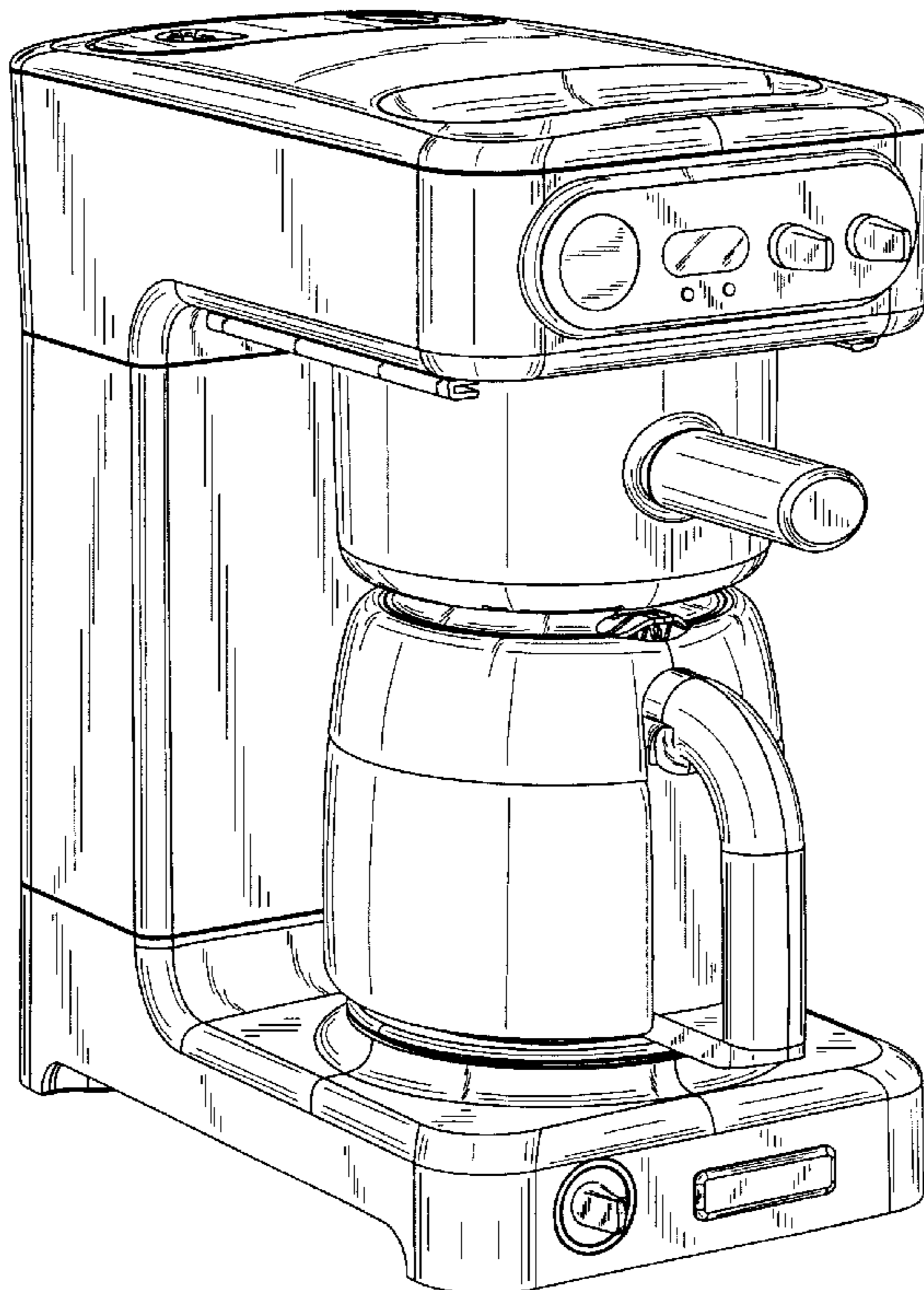
(57) **CLAIM**

The ornamental design of a coffee maker, as shown and  
described.

**DESCRIPTION**

FIG. 1 is a front perspective view of the coffee maker  
showing the new design;  
FIG. 2 is a front elevational view thereof;  
FIG. 3 is a right side elevational view thereof; and,  
FIG. 4 is a top plan view thereof.

**1 Claim, 4 Drawing Sheets**



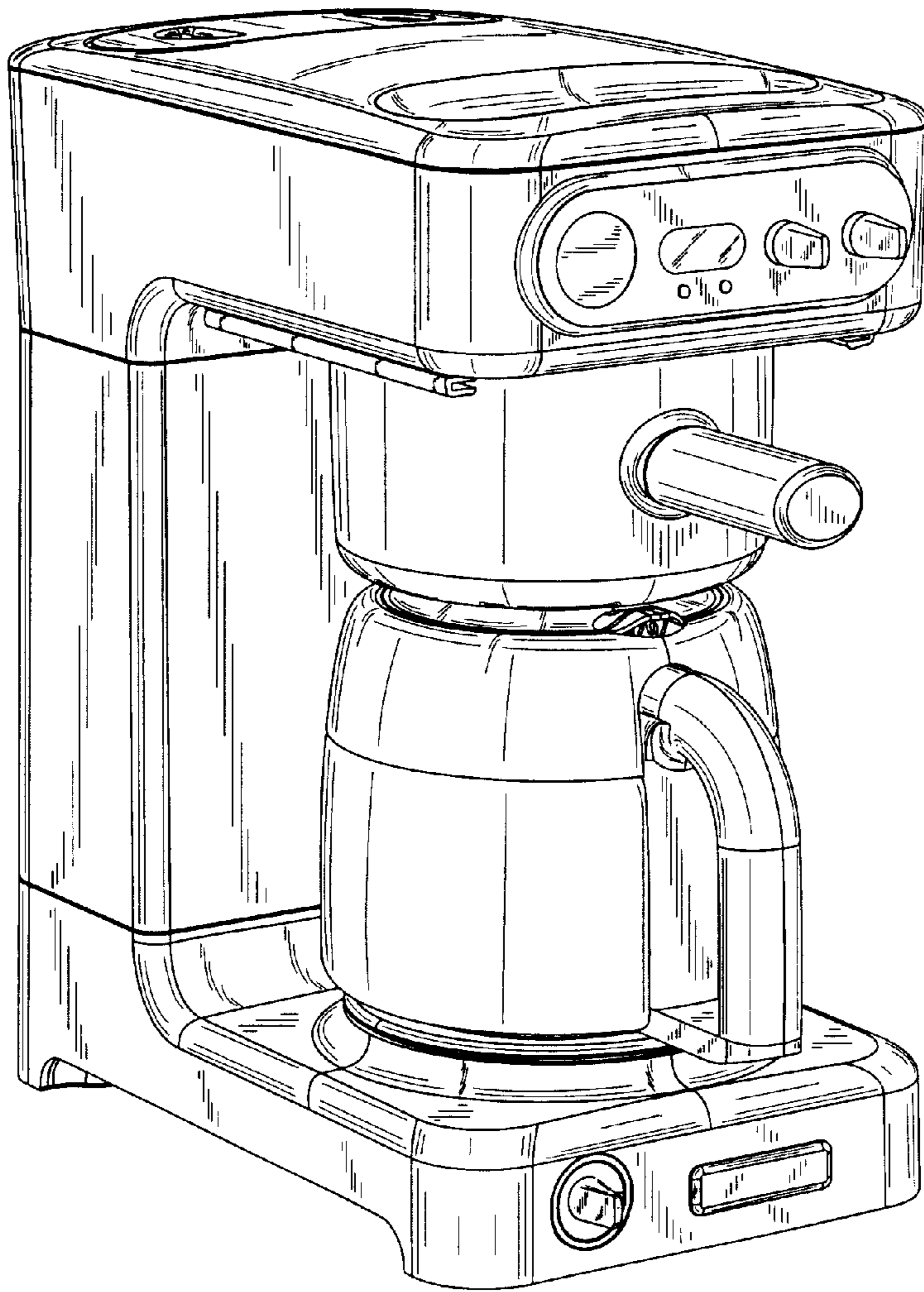
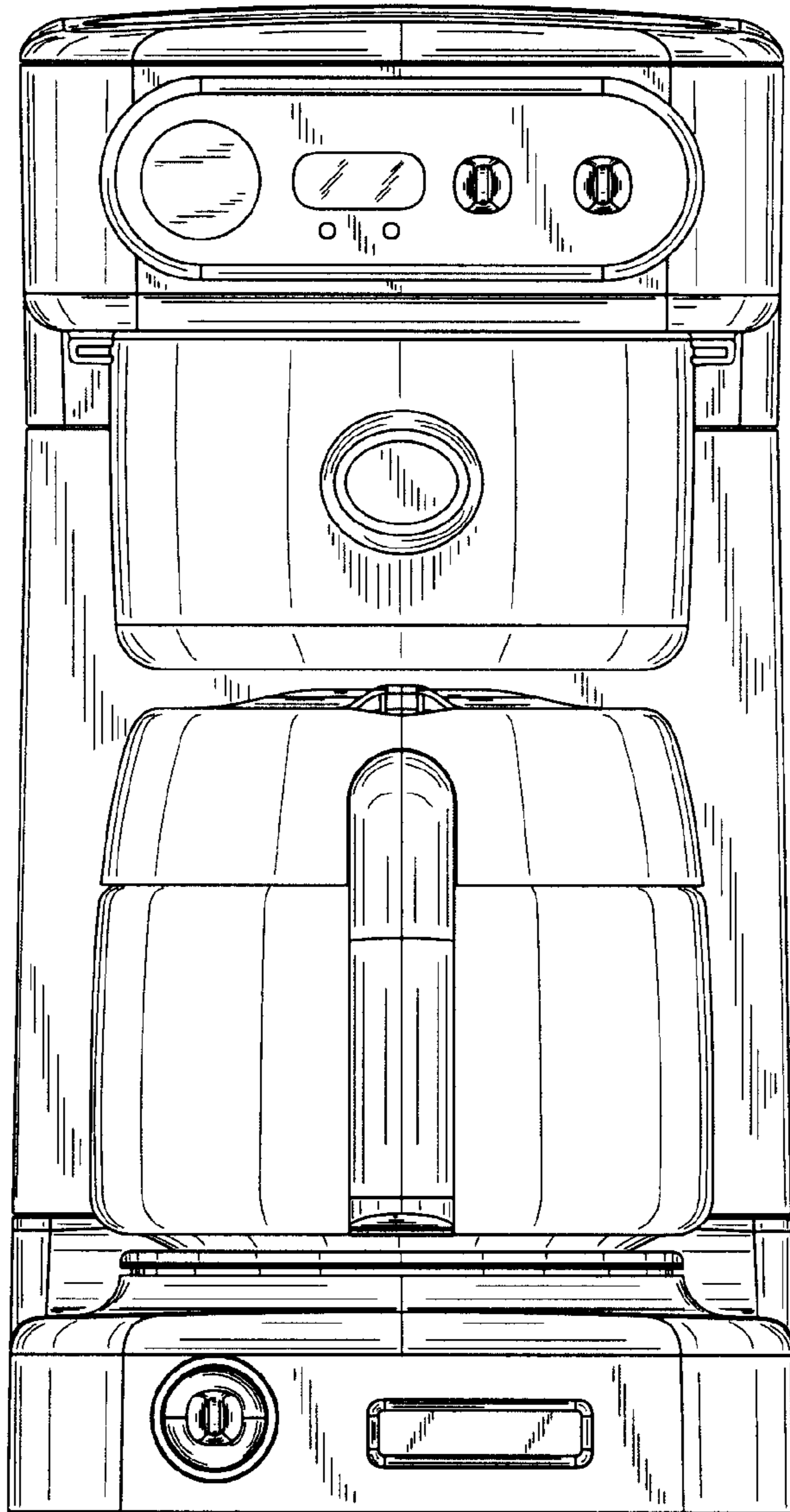


Fig. 1



**Fig. 2**

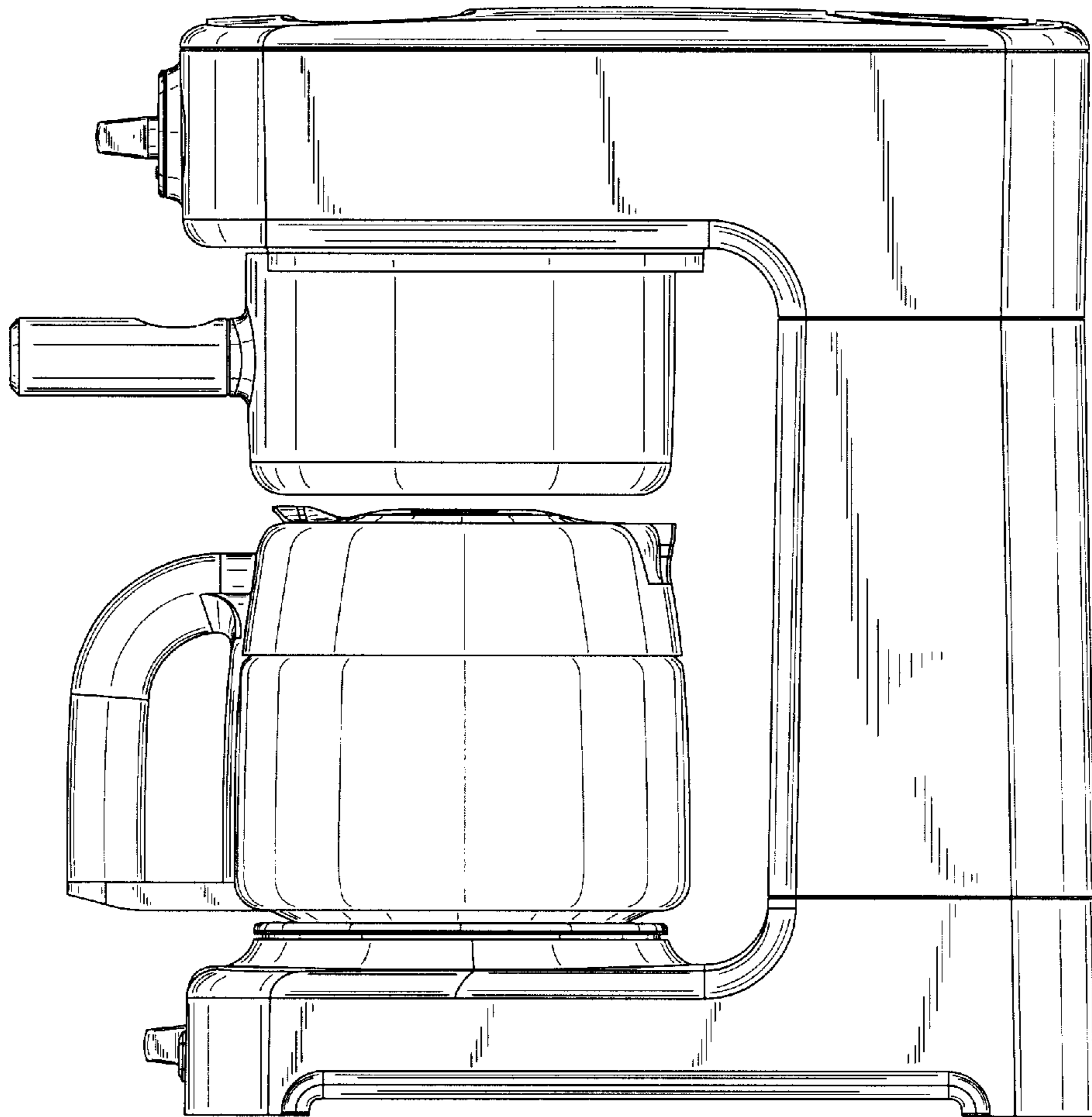
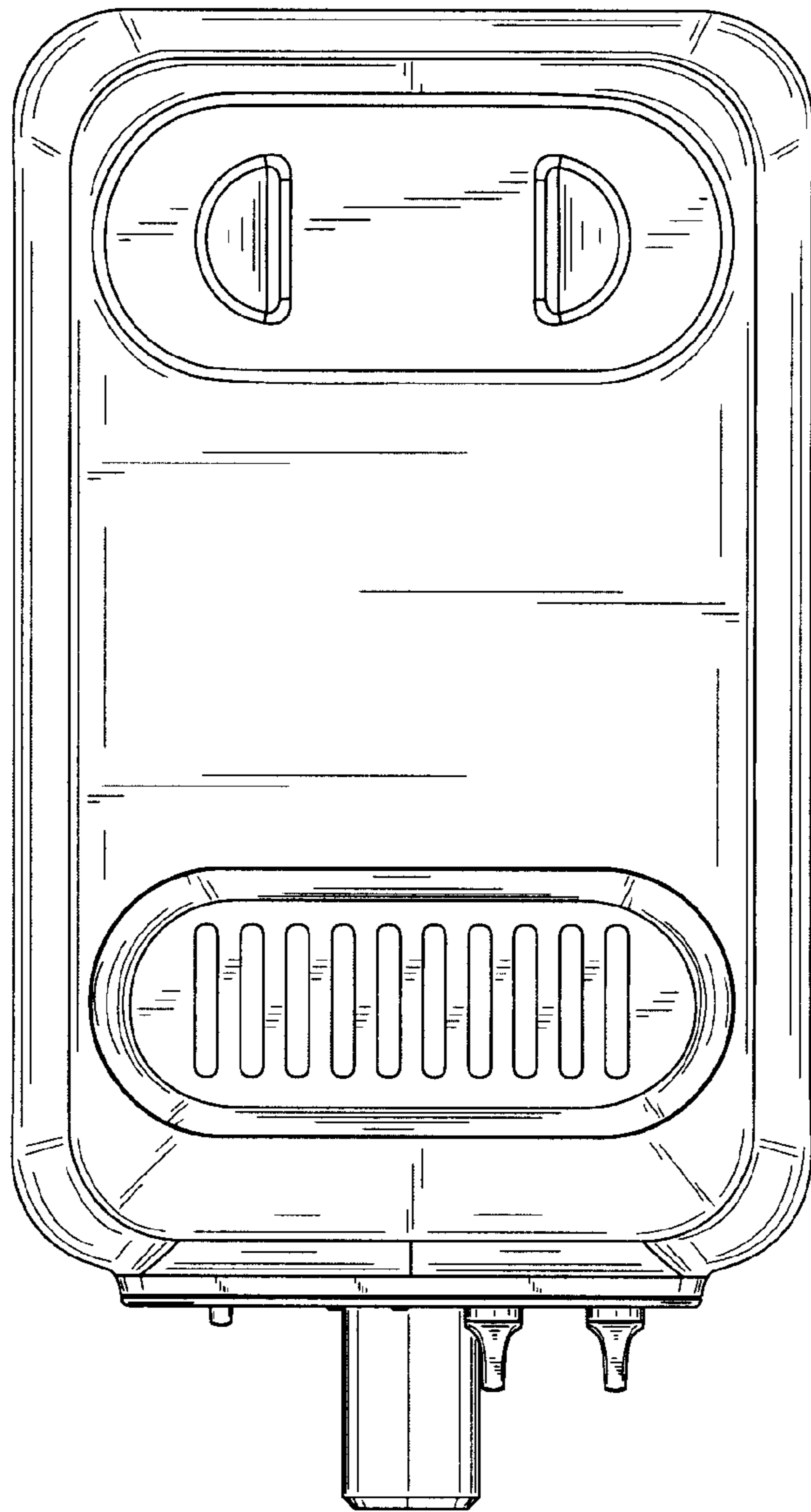


Fig. 3



**Fig. 4**