



US00D489216S

(12) **United States Design Patent**
Stoner

(10) **Patent No.: US D489,216 S**

(45) **Date of Patent: ** May 4, 2004**

(54) **COFFEE BREWER**

(75) Inventor: **Arthur Stoner**, Pine Valley, CA (US)

(73) Assignee: **STO Corporation**, Riverside, CA (US)

(**) Term: **14 Years**

(21) Appl. No.: **29/168,009**

(22) Filed: **Sep. 24, 2002**

(51) **LOC (7) Cl. 07-01**

(52) **U.S. Cl. D7/309; D7/311**

(58) **Field of Search D7/306, 309, 310,
D7/311, 300, 397, 307, 308; 99/295, 279,
289 R, 282, 305, 285, 280, 284; 222/380,
383.1**

(56) **References Cited**

U.S. PATENT DOCUMENTS

2,114,063 A	4/1938	Stoner	99/295
3,443,508 A	5/1969	Reynolds et al.	99/279
D229,897 S	* 1/1974	Martin	D7/309
D243,501 S	* 3/1977	Painter	D7/309
D267,325 S	* 12/1982	Zimmerman et al.	D7/309
4,421,014 A	12/1983	Vicker	99/289 R
D274,029 S	* 5/1984	Daugherty	D7/309
4,478,139 A	* 10/1984	Zimmerman	99/280
4,546,697 A	10/1985	Schaeffer	99/282
4,632,024 A	* 12/1986	Cortese	99/293

4,759,274 A	7/1988	Schmidt	99/305
4,829,888 A	* 5/1989	Webster et al.	99/284
4,892,031 A	* 1/1990	Webster et al.	99/284
4,917,005 A	* 4/1990	Knepler	99/280
4,951,556 A	* 8/1990	Ng	99/285
D366,180 S	* 1/1996	Littmann	D7/309
D382,439 S	* 8/1997	Feiz	D7/309
D389,694 S	* 1/1998	Vinson	D7/308
D439,103 S	* 3/2001	Cruz	D7/309
D446,989 S	* 8/2001	Cruz	D7/309
D459,628 S	* 7/2002	Cahen	D7/309

* cited by examiner

Primary Examiner—M. N. Pandozzi

(74) *Attorney, Agent, or Firm*—Fulwider Patton Lee & Utecht

(57) **CLAIM**

The ornamental design for a coffee brewer, as shown and described.

DESCRIPTION

FIG. 1 is a perspective view showing my new design;
FIG. 2 is a top plan view thereof;
FIG. 3 is a front elevational view thereof;
FIG. 4 is a back elevational view thereof;
FIG. 5 is a right-hand view thereof; and,
FIG. 6 is a left-hand view thereof.

1 Claim, 3 Drawing Sheets

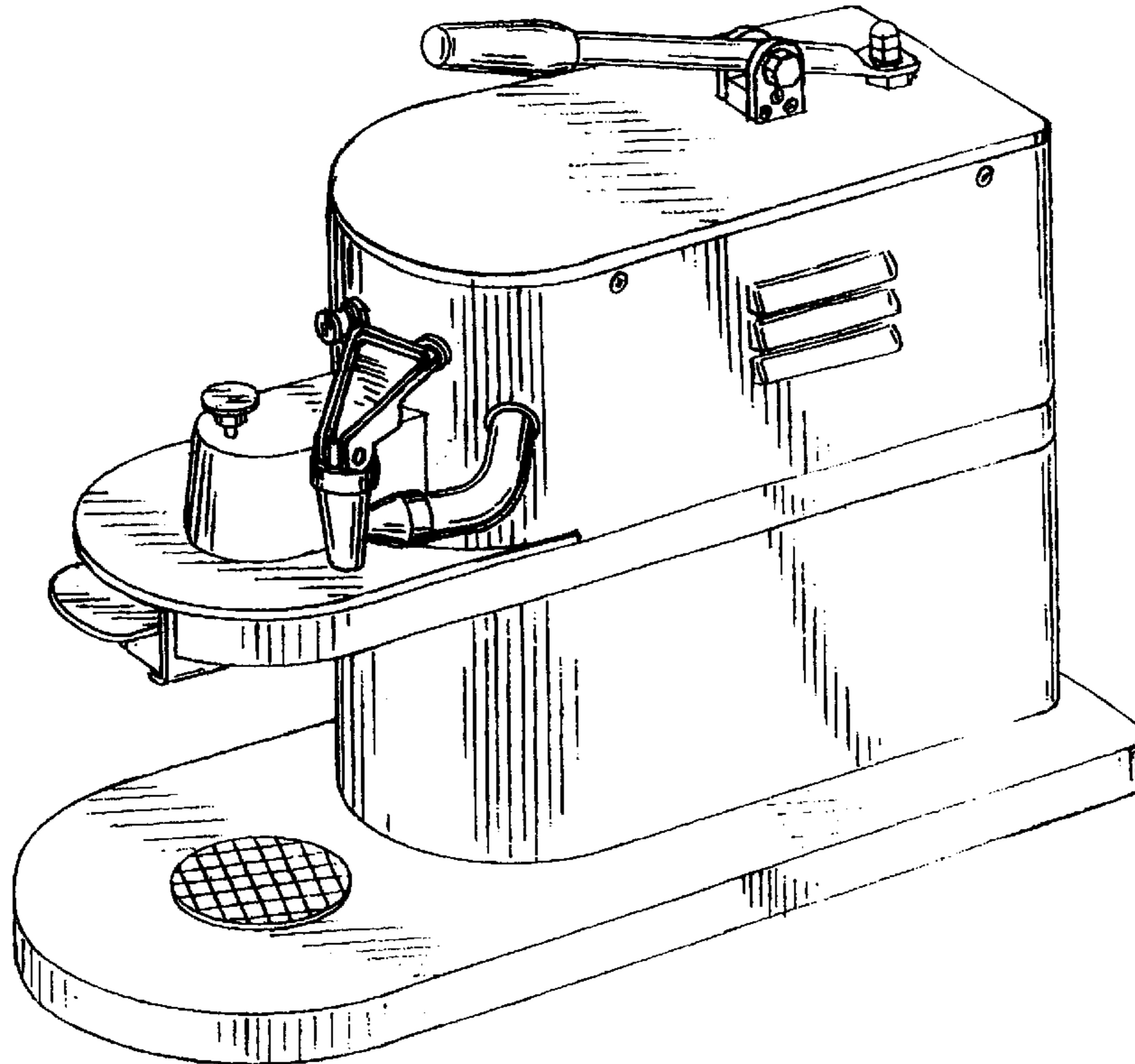


FIG. 1

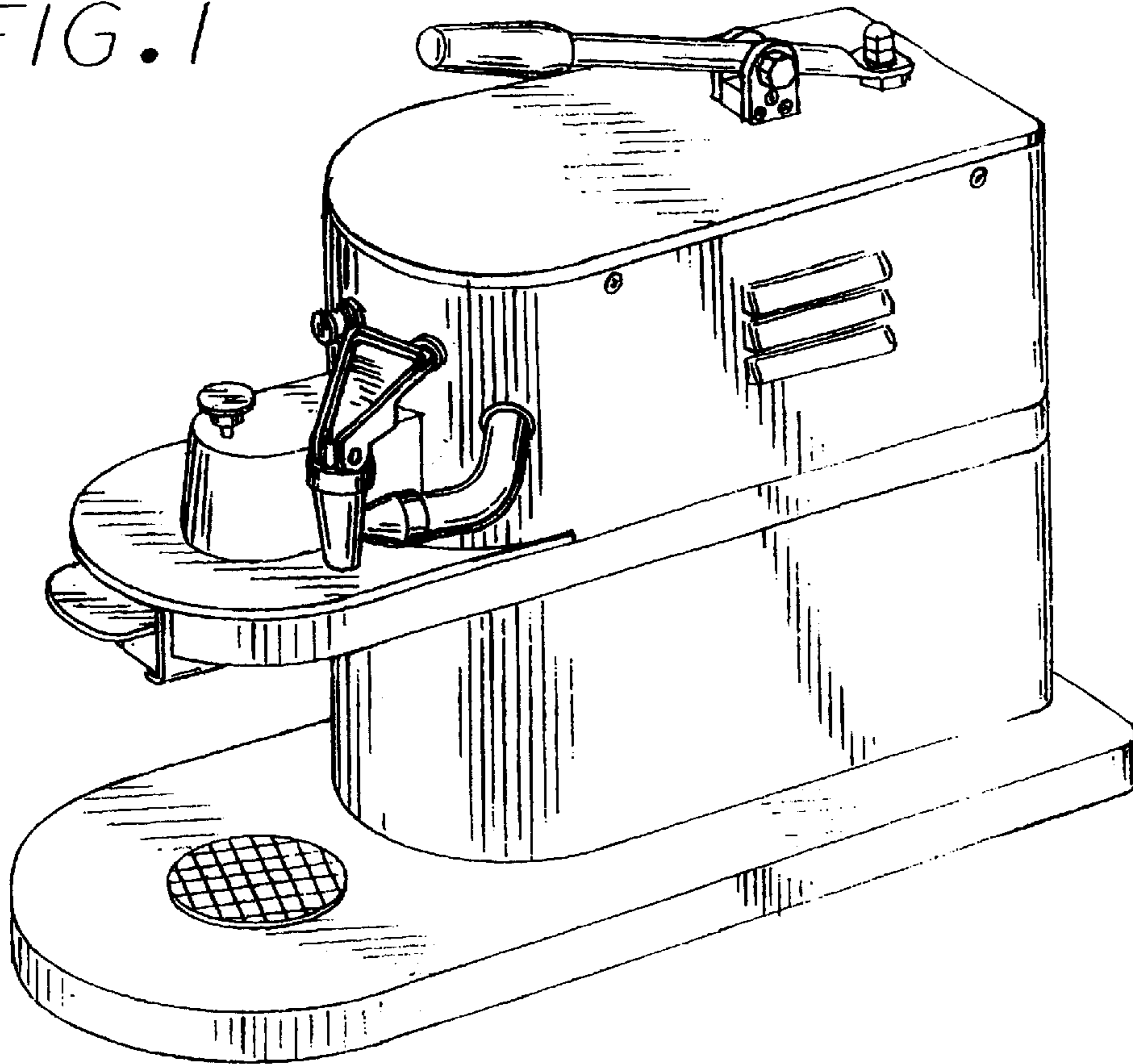


FIG. 2

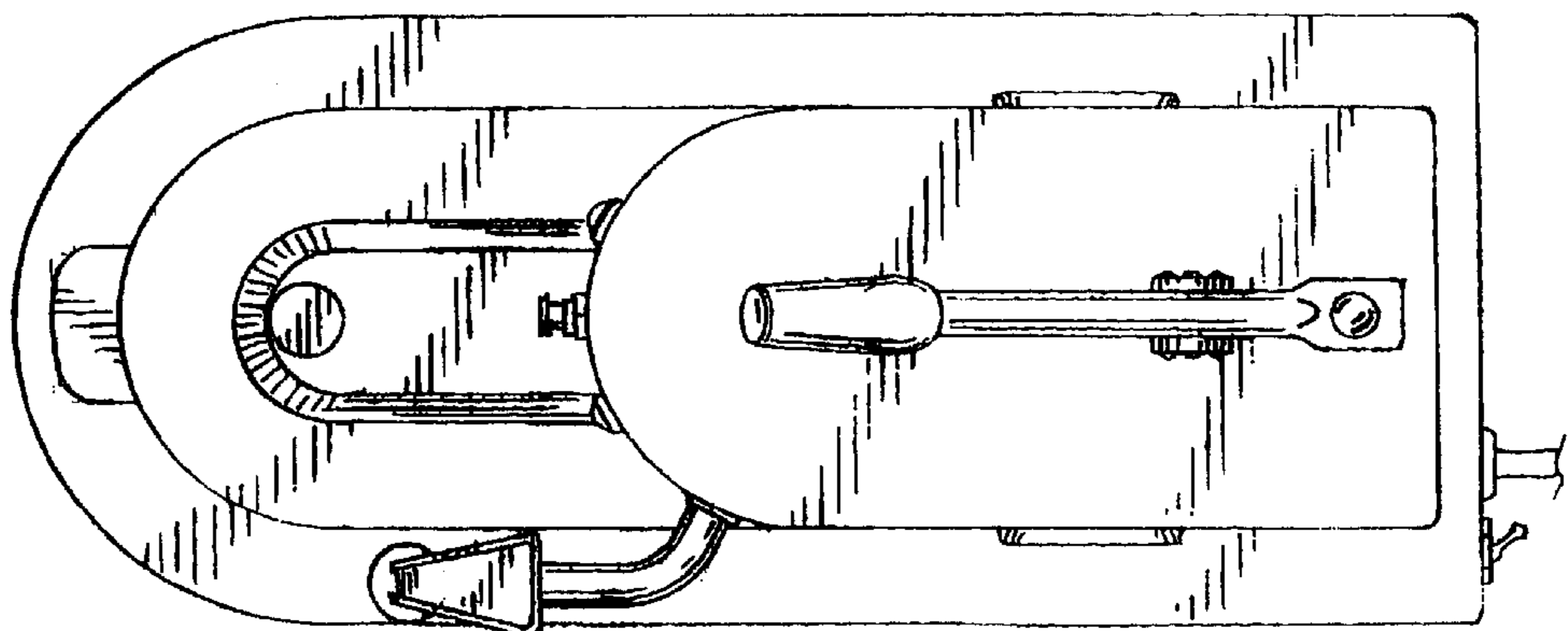


FIG. 3

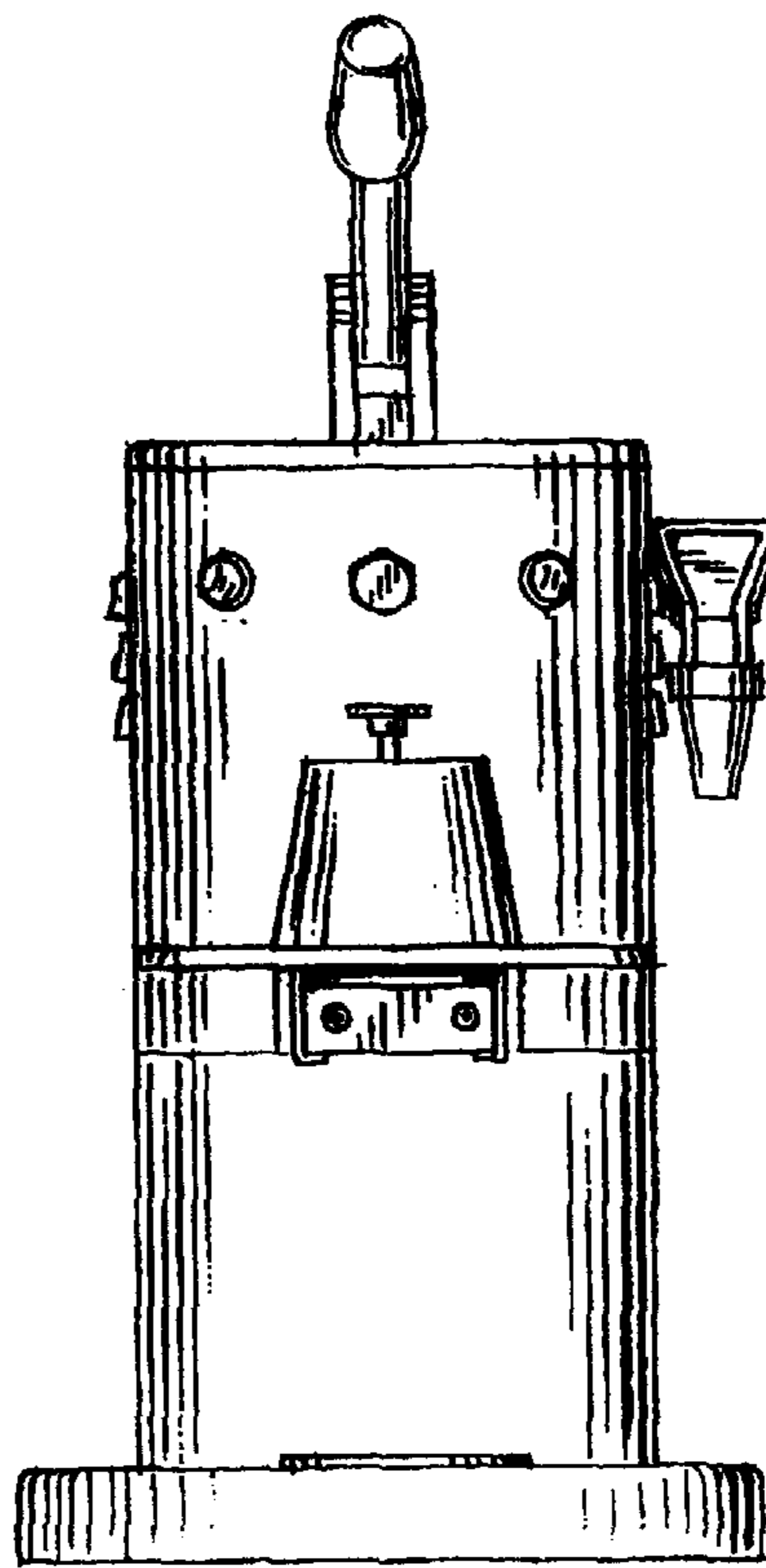


FIG. 4

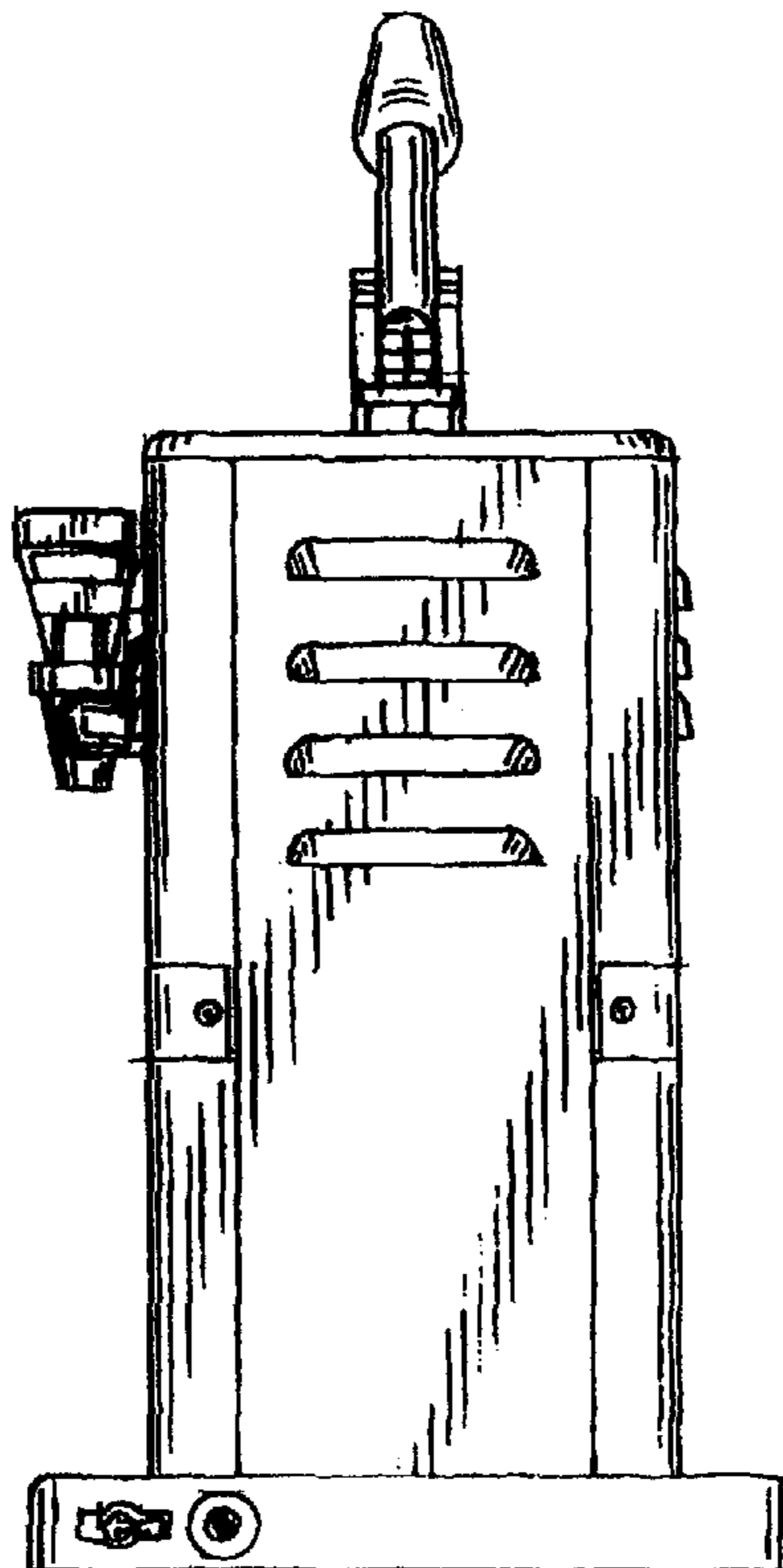


FIG. 5

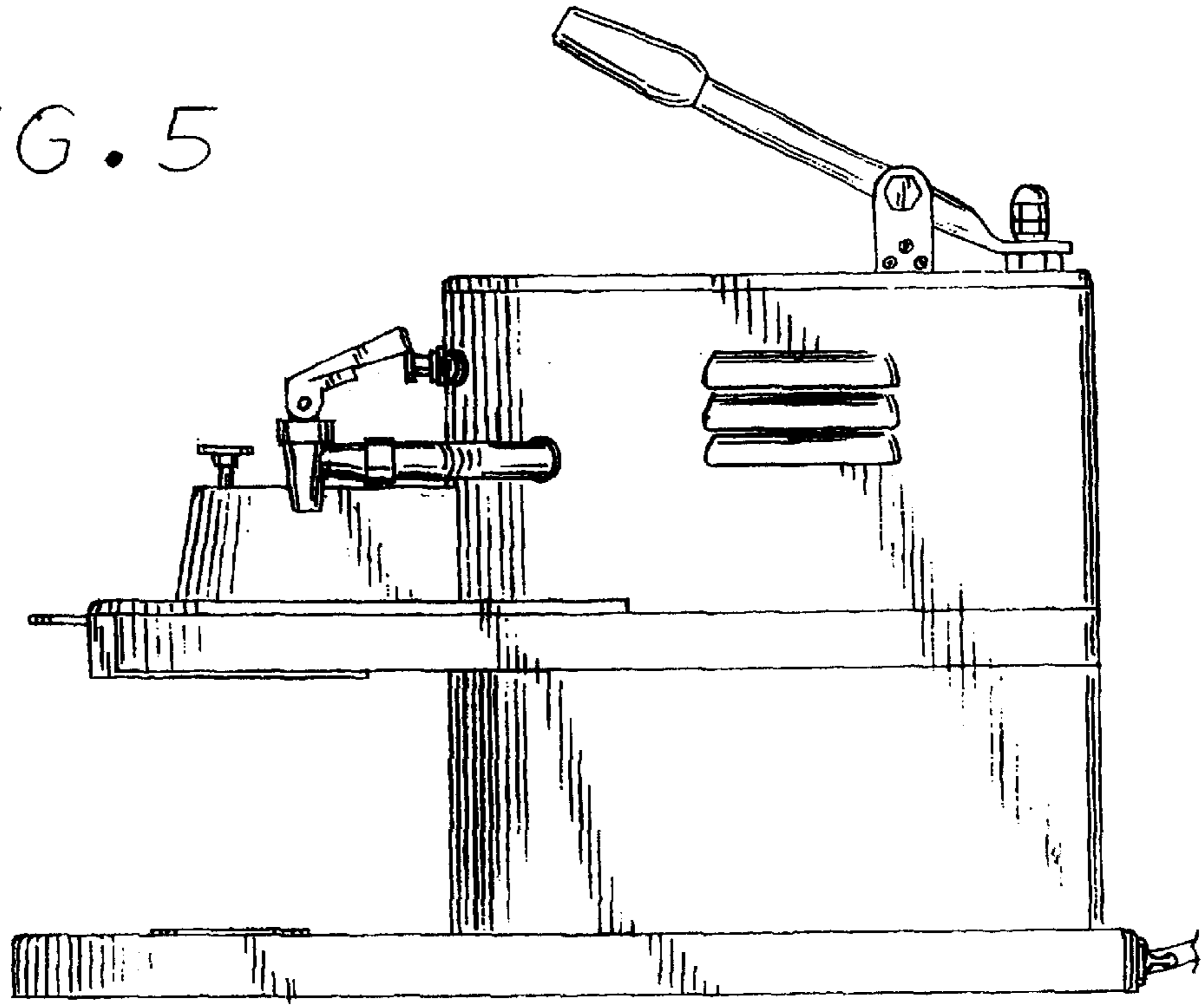


FIG. 6

