



US00D489215S

(12) **United States Design Patent**  
**Honan et al.**

(10) **Patent No.:** **US D489,215 S**

(45) **Date of Patent:** **\*\* May 4, 2004**

(54) **COFFEE BREWER**

(75) Inventors: **David Honan**, Concord, MA (US);  
**Kevin Krauss**, Maynard, MA (US);  
**James McGee**, Belmont, MA (US)

(73) Assignee: **Keurig, Incorporated**, Wakefield, MA (US)

(\*\*) Term: **14 Years**

(21) Appl. No.: **29/167,347**

(22) Filed: **Sep. 12, 2002**

(51) **LOC (7) Cl.** ..... **07-01**

(52) **U.S. Cl.** ..... **D7/309; D7/311**

(58) **Field of Search** ..... D7/300, 309, 310,  
D7/311, 306; 97/279, 305, 306, 284, 295,  
280

(56) **References Cited**

**U.S. PATENT DOCUMENTS**

4,676,148 A \* 6/1987 Foley ..... 99/279  
4,829,888 A \* 5/1989 Webster et al. .... 99/284  
D316,795 S \* 5/1991 Brewer ..... D7/308  
D350,871 S \* 9/1994 Littmann ..... D7/309

D439,103 S \* 3/2001 Cruz ..... D7/309  
D446,989 S \* 8/2001 Cruz ..... D7/309  
D453,656 S \* 2/2002 Byler et al. .... D7/309  
D458,794 S \* 6/2002 DeMore ..... D7/309  
D462,865 S \* 9/2002 Honan et al. .... D7/309

\* cited by examiner

*Primary Examiner*—M. N. Pandozzi

(74) *Attorney, Agent, or Firm*—Samuels, Gauthier & Stevens

(57) **CLAIM**

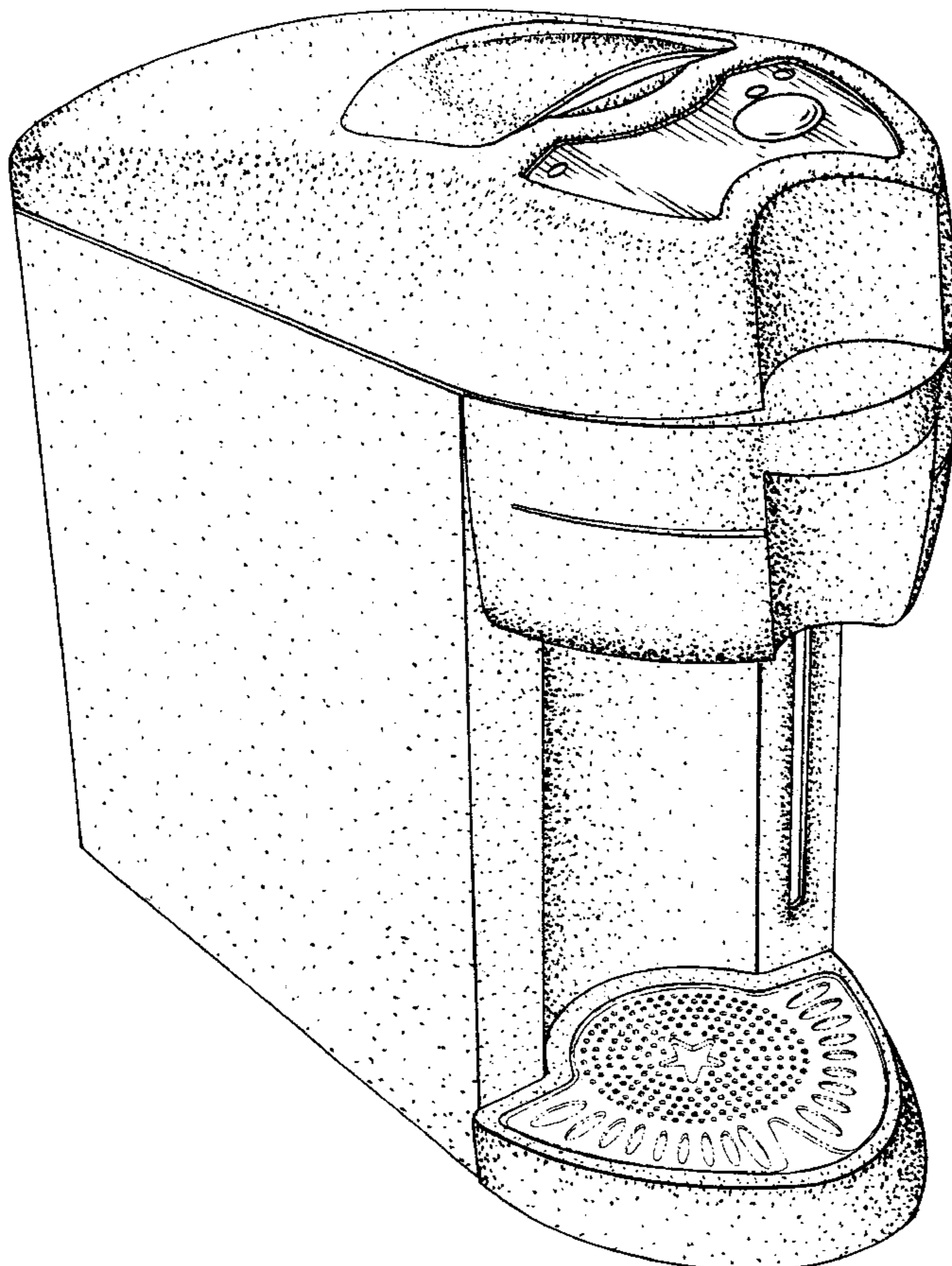
The ornamental design for a coffee brewer, as shown and described.

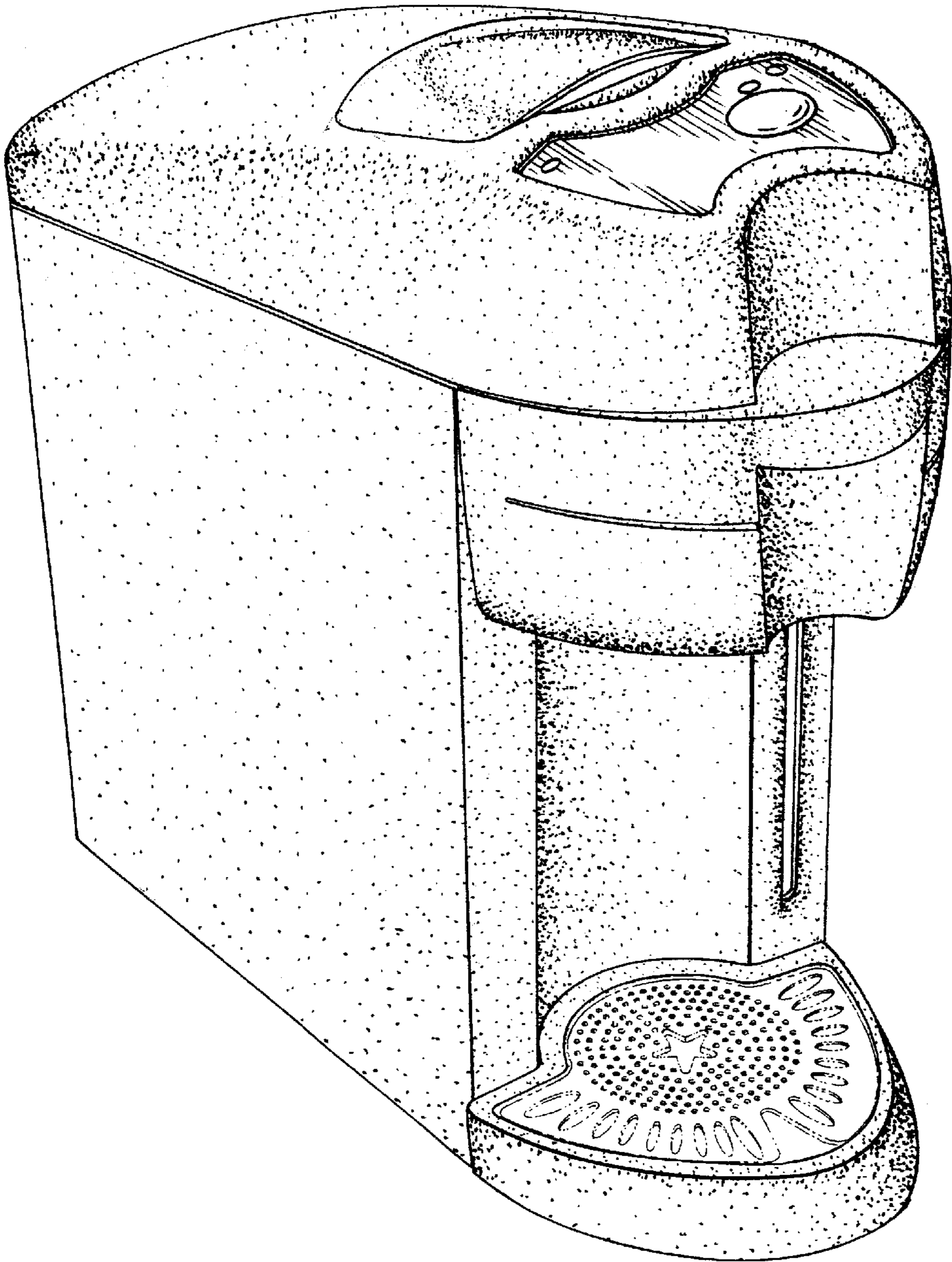
**DESCRIPTION**

FIG. 1 is a front perspective view of a coffee brewer, showing our new design;  
FIG. 2 is a front elevational view;  
FIG. 3 is a right side elevational view thereof, the opposite side being a mirror image thereof; and,  
FIG. 4 is a top plan view thereof.

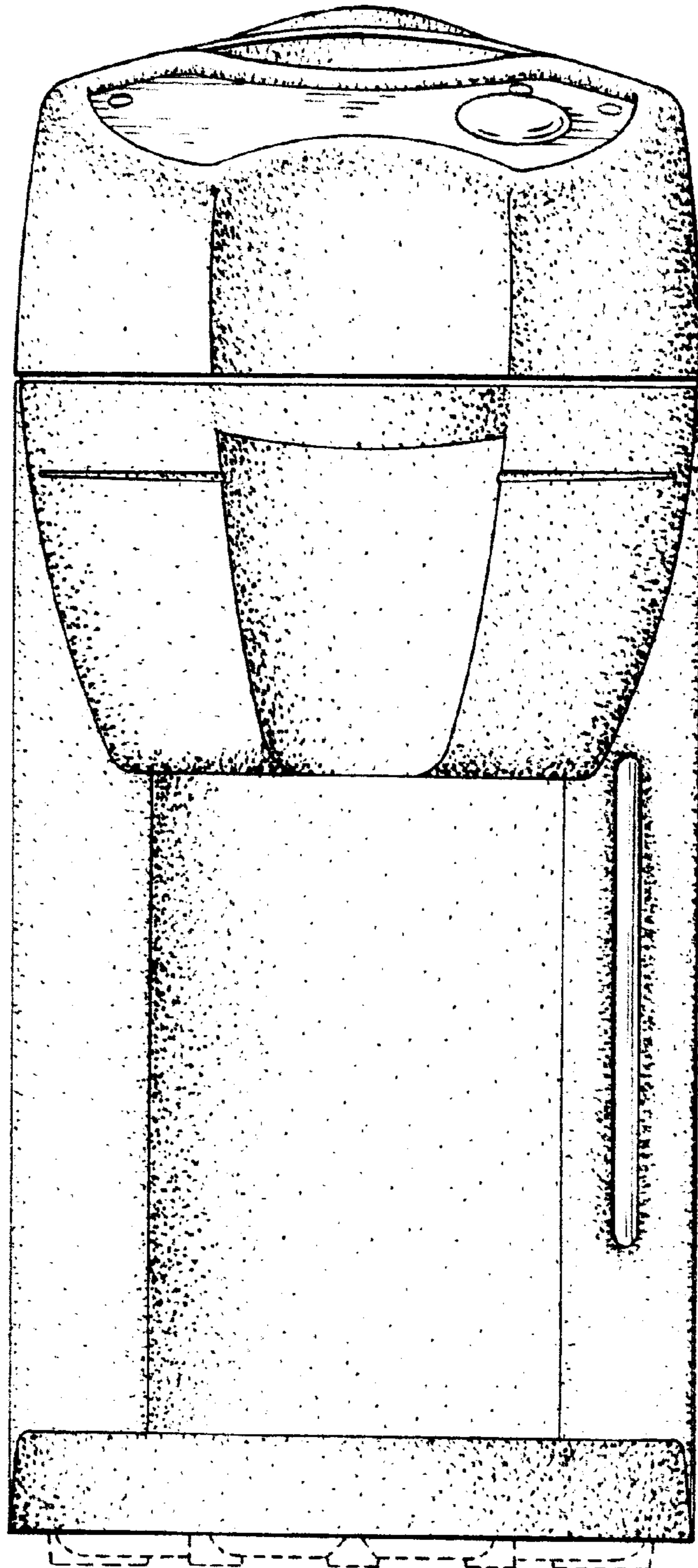
The broken lines in FIGS. 1, 2 and 3 are for illustrative purposes only and form no part of the claimed design.

**1 Claim, 4 Drawing Sheets**



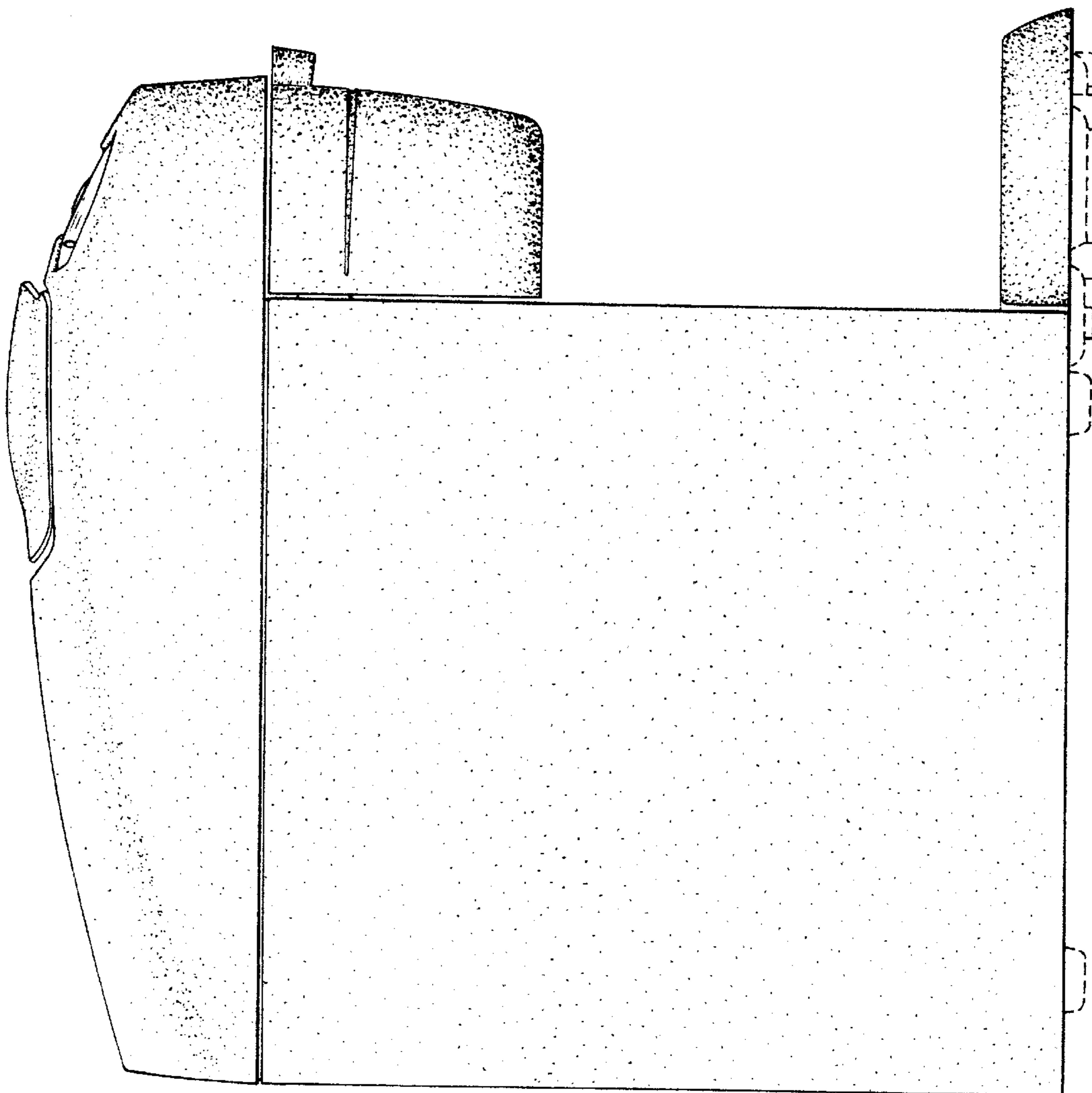


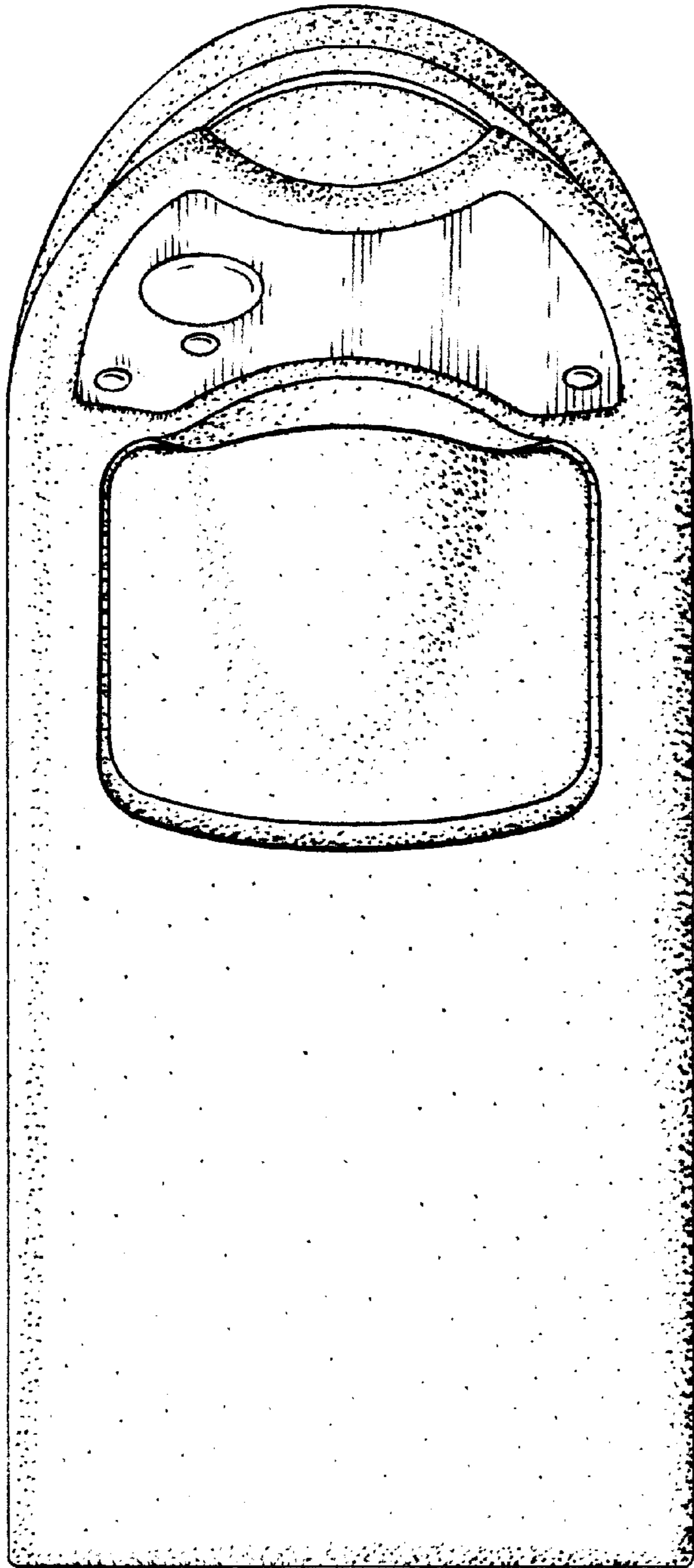
***FIG. 1***



***FIG. 2***

*FIG. 3*





*FIG. 4*