



US00D489208S

(12) **United States Design Patent**  
**Noblet et al.**

(10) **Patent No.:** **US D489,208 S**

(45) **Date of Patent:** **\*\* May 4, 2004**

(54) **FOLDABLE WORKSTATION AND  
SHELVING SYSTEM**

D441,241 S \* 5/2001 Harris ..... D6/555  
D457,027 S 5/2002 Müller et al. .... D6/574

(75) Inventors: **C. Dale Noblet**, Big Bear City, CA  
(US); **Stephen R. Packer**, Las Vegas,  
NV (US)

**FOREIGN PATENT DOCUMENTS**

WO WO 91/11130 8/1991

\* cited by examiner

(73) Assignee: **Canam Marketing Corp.**, Las Vegas,  
NV (US)

*Primary Examiner*—Brian N. Vinson

(\*\*) Term: **14 Years**

(57) **CLAIM**

(21) Appl. No.: **29/169,638**

The ornamental design for a foldable workstation and shelving system, as shown and described herein.

(22) Filed: **Oct. 23, 2002**

**DESCRIPTION**

(51) **LOC (7) Cl.** ..... **06-04**

(52) **U.S. Cl.** ..... **D6/555**

(58) **Field of Search** ..... D6/553, 555, 570,  
D6/571, 574; 108/1, 6; 211/13.1, 134, 186,  
149, 150; 312/245, 313–316

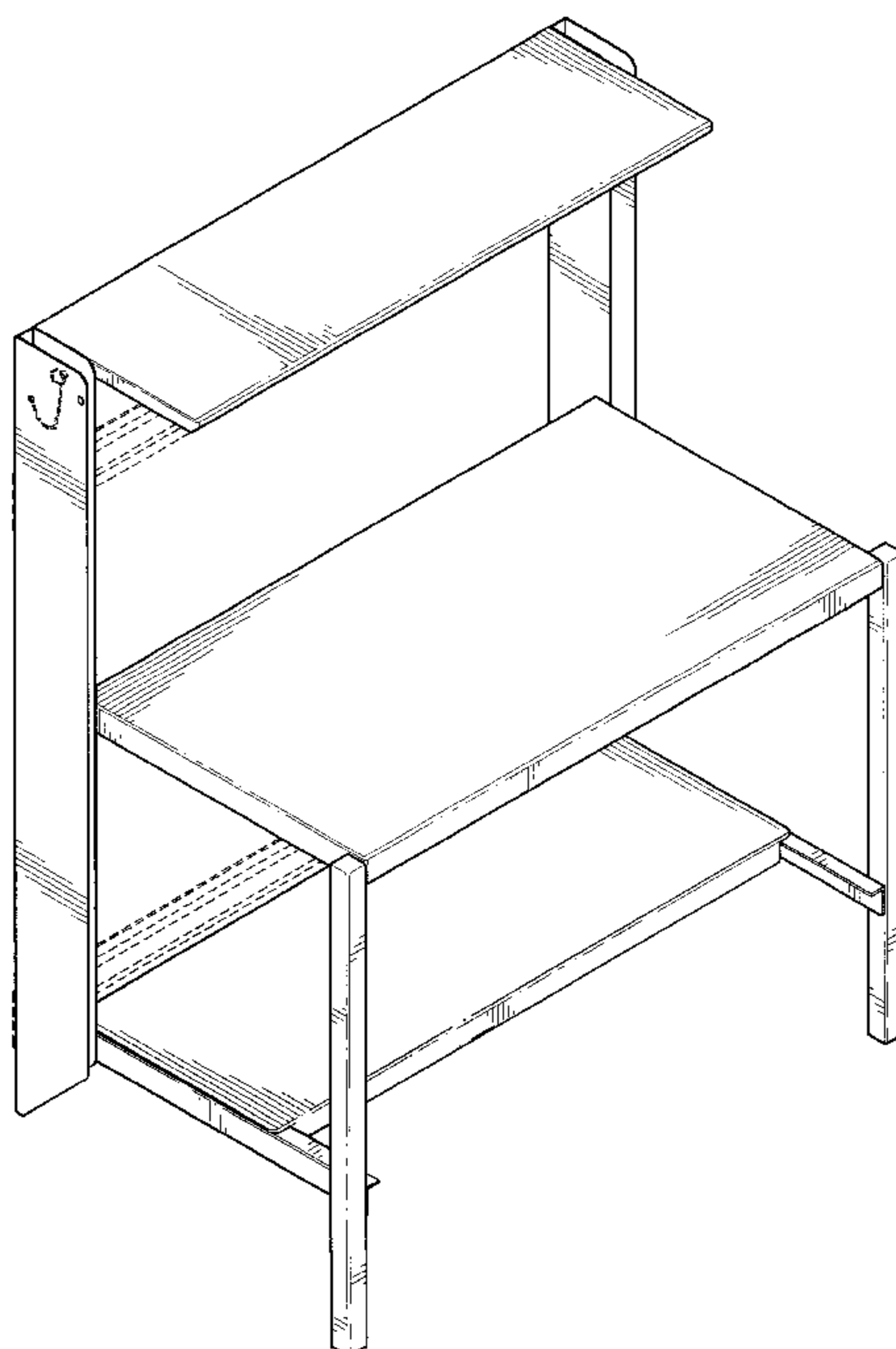
This design patent application is related to U.S. patent application Ser. No. 09/827,546 filed Apr. 6, 2001 for Foldable Storage Shelves for Shipping Mail and the Like. FIG. 1 is a front, left, top perspective view of our foldable workstation and shelving system with certain rear brackets or braces shown in phantom as well as a chain and pin structure also shown in phantom; FIG. 2 is a top view thereof; FIG. 3 is a bottom view thereof; FIG. 4 is a right, side view thereof with the left side being a mirror image of the right side; FIG. 5 is a front view thereof; FIG. 6 is a front, top, left perspective view of the foldable workstation and shelving system shown in FIG. 1 in a folded configuration; FIG. 7 is a top view thereof; FIG. 8 is a bottom view thereof; FIG. 9 is a right side view thereof with the left side being a mirror image of the right side; and, FIG. 10 is front plan view thereof.

(56) **References Cited**

**U.S. PATENT DOCUMENTS**

945,280 A	1/1910	Lindberg	
968,920 A	8/1910	Campbell	
1,727,048 A	9/1929	Cady	
1,758,726 A	5/1930	Webb	
D95,043 S	4/1935	Kent	
2,903,318 A	9/1959	Brockway	312/304
2,908,397 A	10/1959	Patterson	211/93
3,151,576 A	10/1964	Patterson	108/2
D225,803 S	1/1973	Moore	D6/6
4,155,609 A	5/1979	Skafta et al.	312/245
D295,007 S *	4/1988	Hardy et al.	D6/555
5,085,608 A	2/1992	Turner	446/75
5,408,936 A	4/1995	Tseng	108/42
5,577,622 A	11/1996	Kapteyn	211/132

**1 Claim, 6 Drawing Sheets**



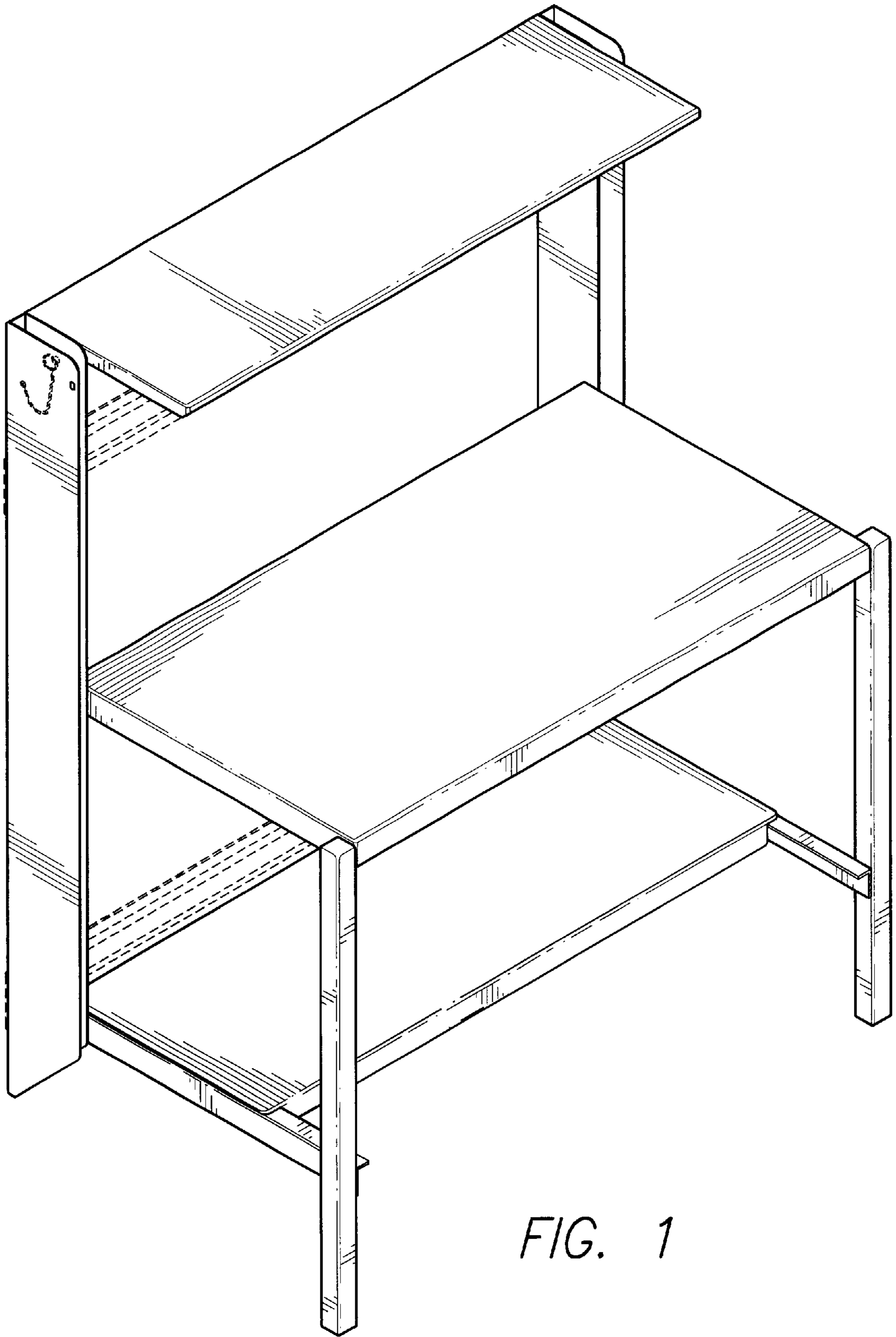


FIG. 1

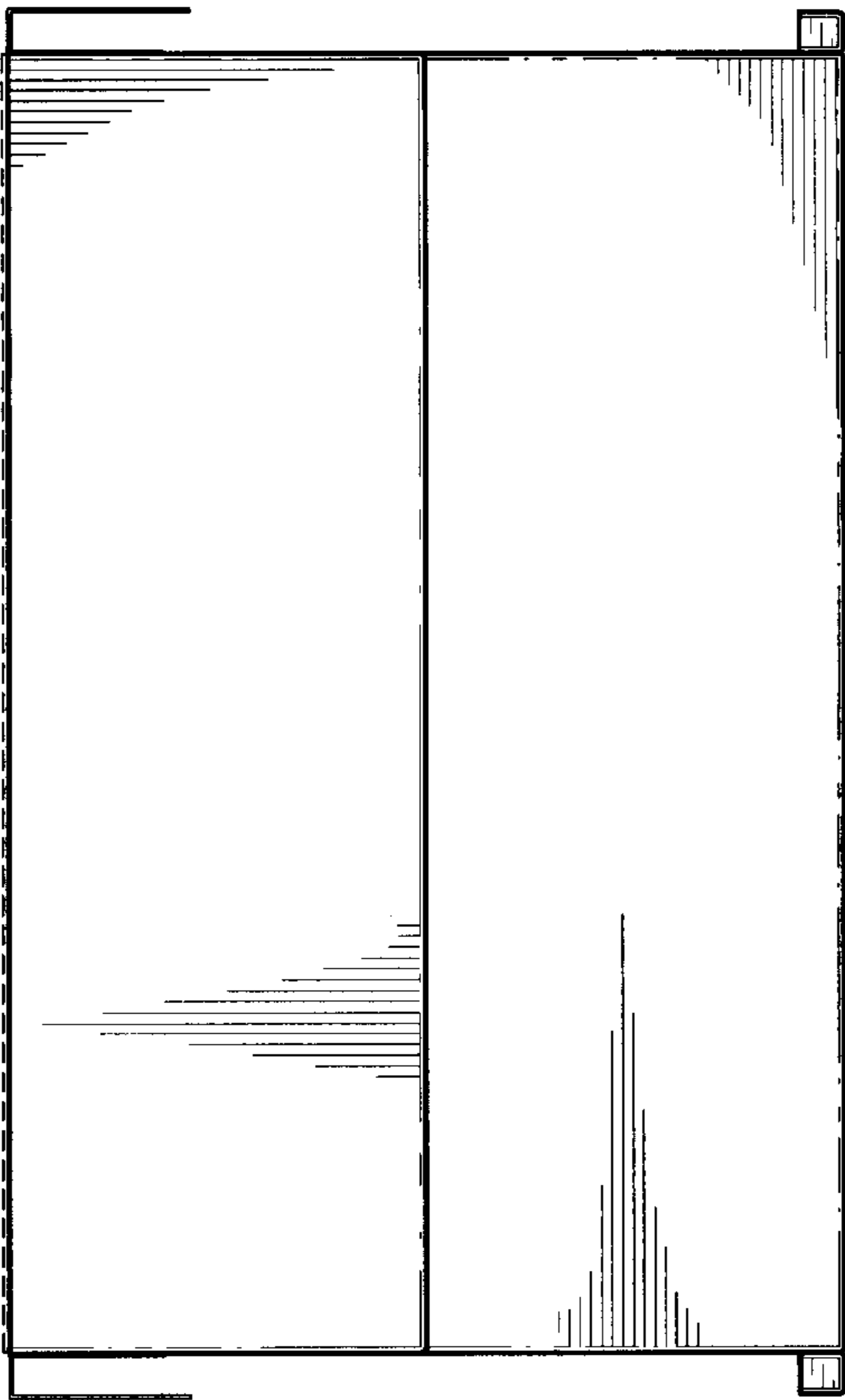


FIG. 2

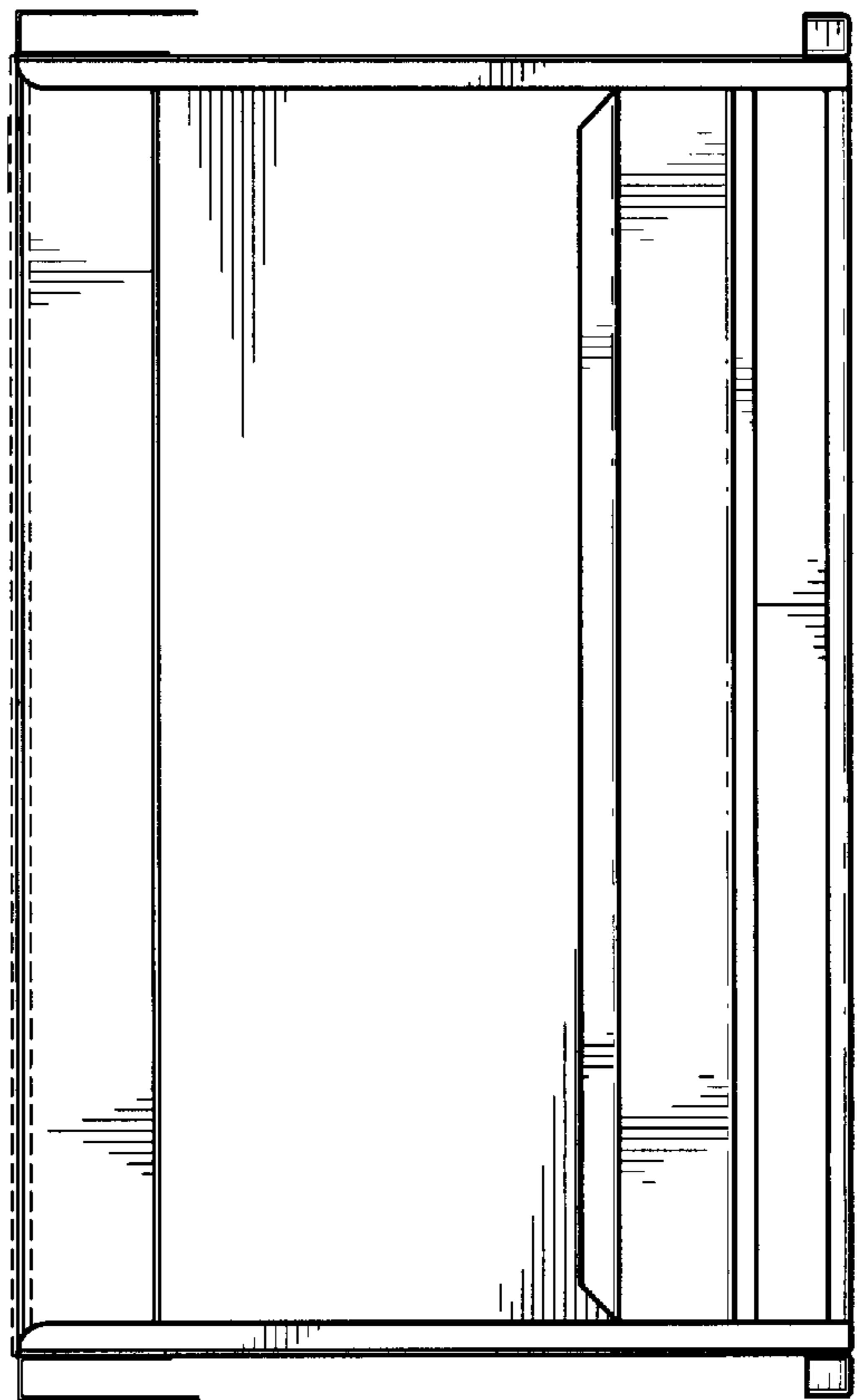


FIG. 3

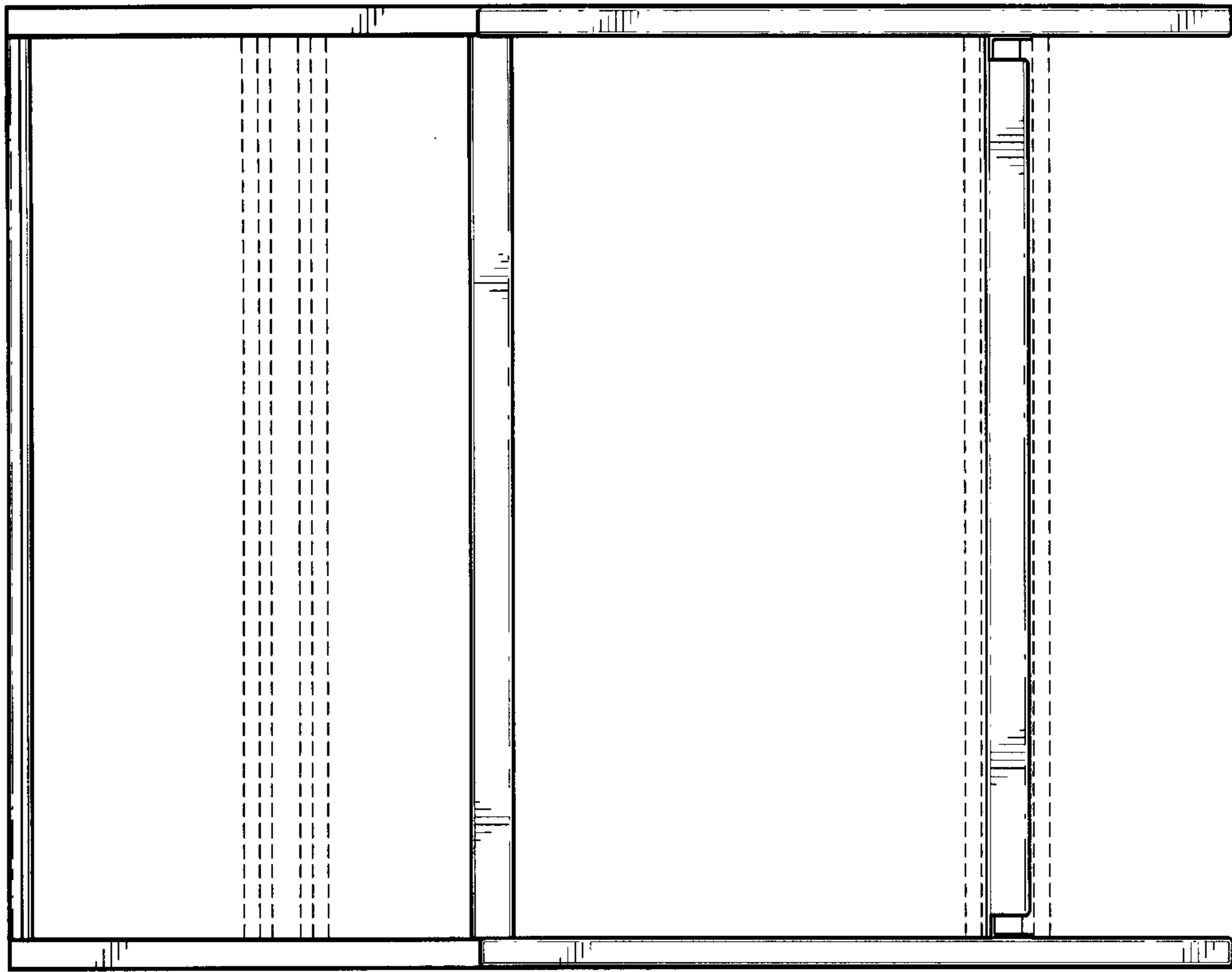


FIG. 5

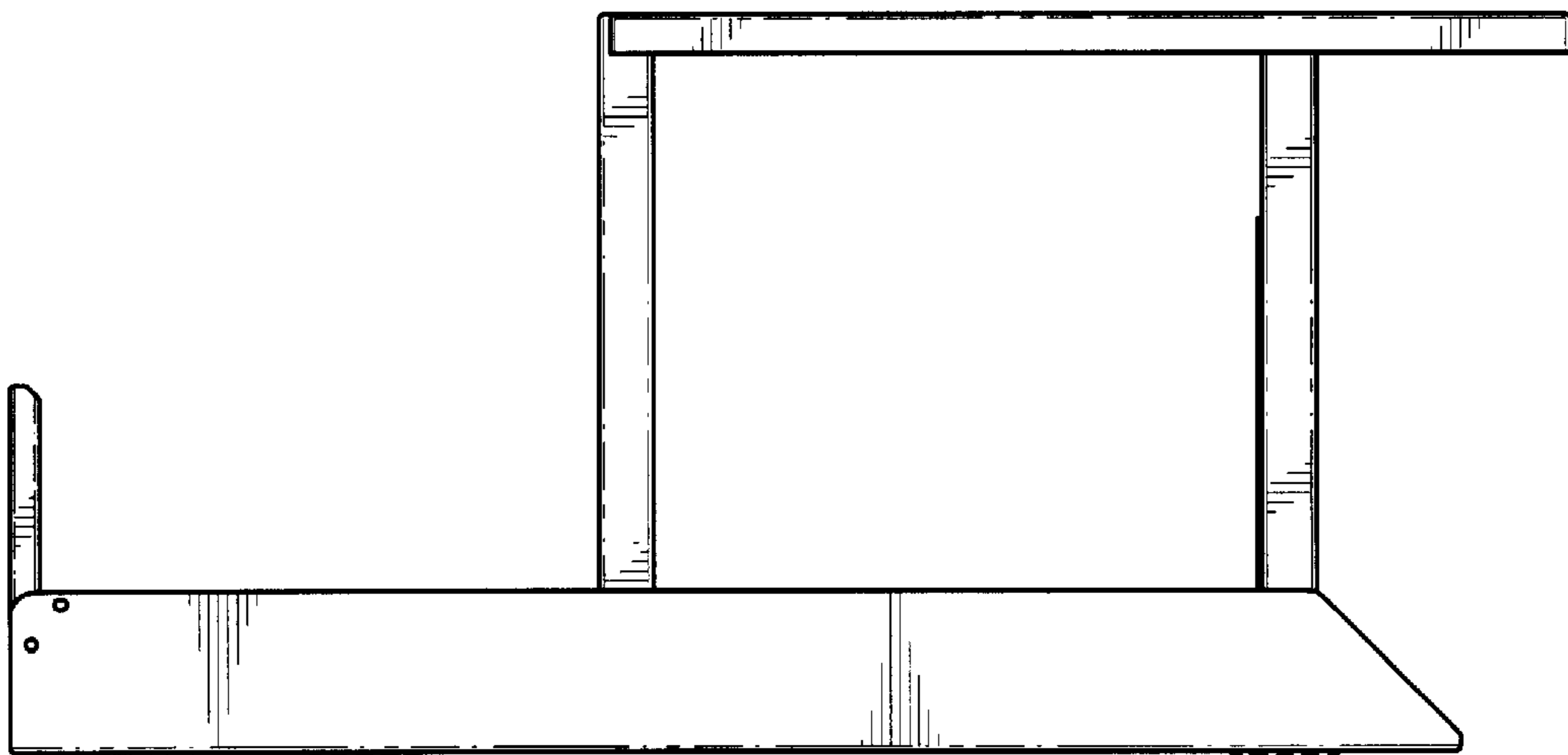


FIG. 4

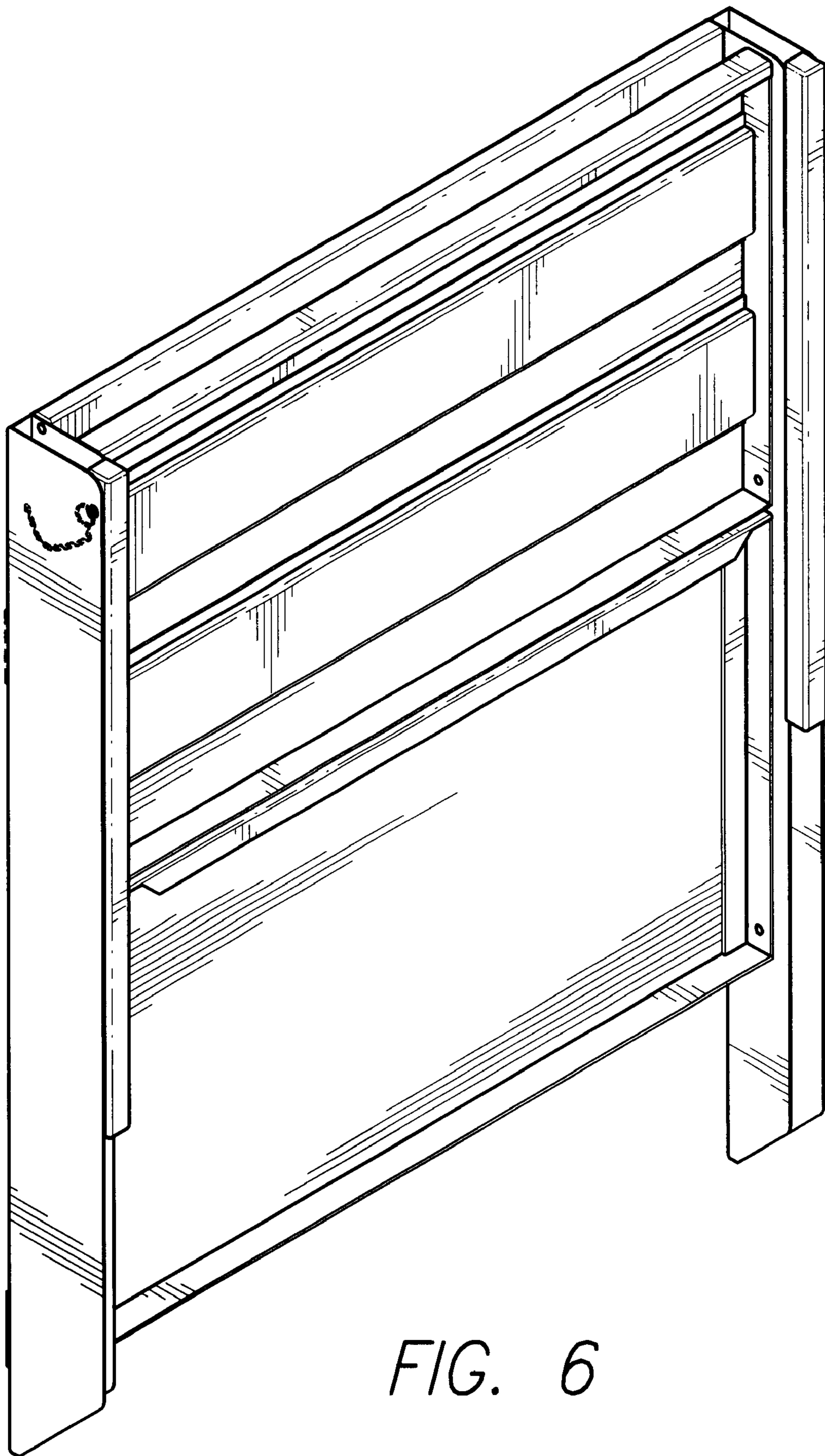


FIG. 6



FIG. 7

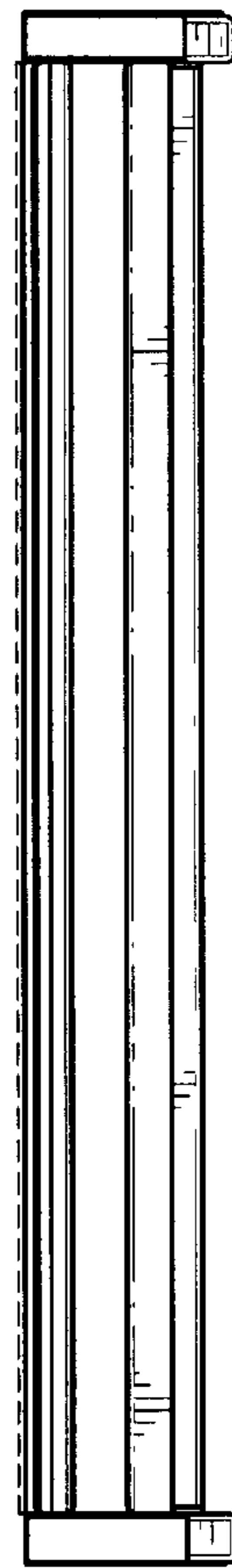


FIG. 8

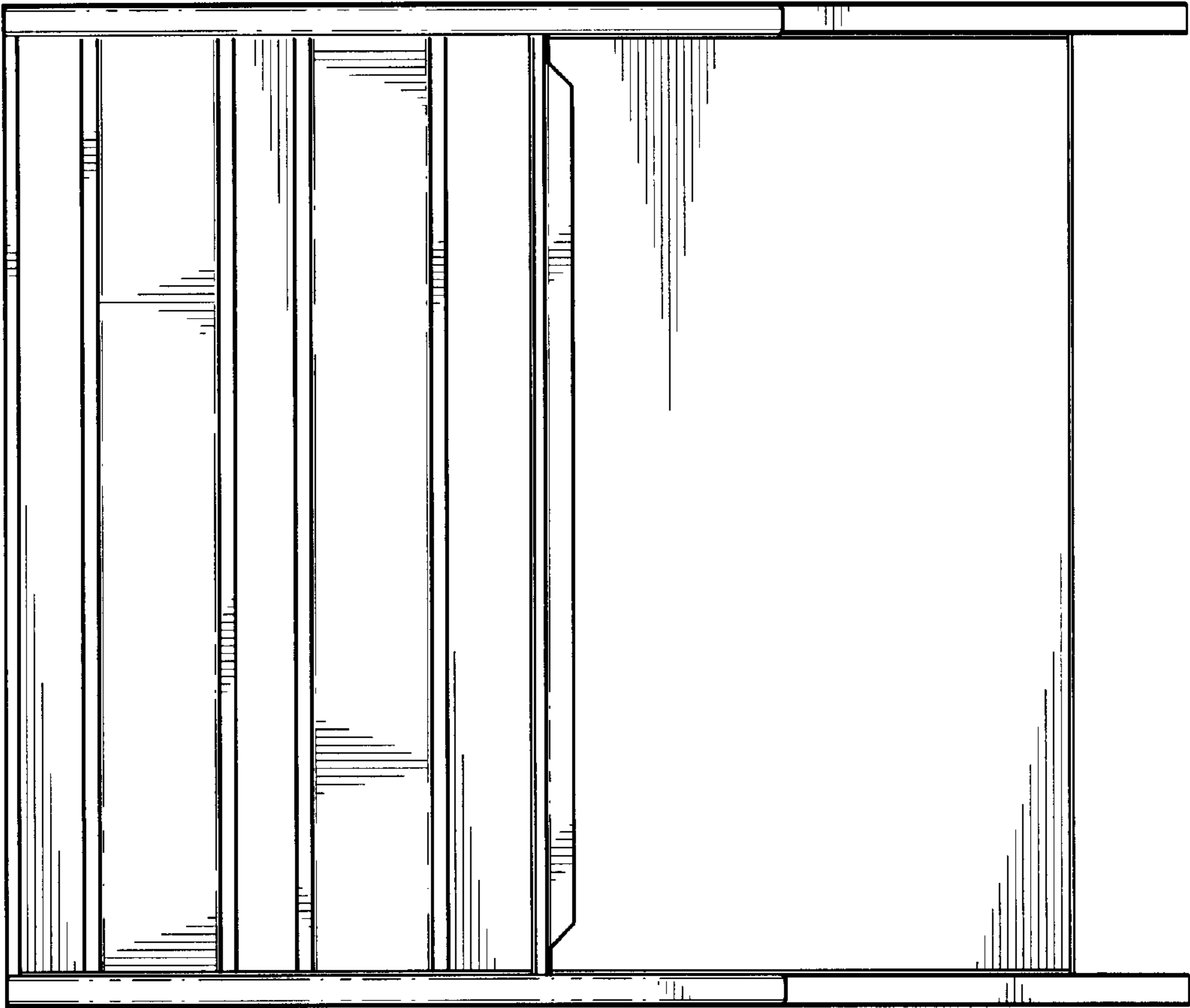


FIG. 10



FIG. 9