



US00D489206S

(12) **United States Design Patent**  
**Strong**

(10) **Patent No.:** **US D489,206 S**

(45) **Date of Patent:** **\*\* May 4, 2004**

(54) **PORTION OF A TABLE TOP**

(75) Inventor: **L. Curtis Strong**, Clearfield, UT (US)

(73) Assignee: **Lifetime Products, Inc.**, Clearfield, UT (US)

(\*\*) Term: **14 Years**

(21) Appl. No.: **29/185,835**

(22) Filed: **Jul. 3, 2003**

**Related U.S. Application Data**

(63) Continuation of application No. 10/340,018, filed on Jan. 9, 2003.

(51) **LOC (7) Cl.** ..... **06-06**

(52) **U.S. Cl.** ..... **D6/511**

(58) **Field of Search** ..... D6/480-489, 511,  
D6/429, 422; 108/150, 153.1, 155, 156,  
157.1, 157.17, 159.12, 161, 27, 115, 117,  
118, 120; 312/140.3, 140.2

(56) **References Cited**

**U.S. PATENT DOCUMENTS**

2,857,228 A	10/1958	Koett
2,879,118 A	3/1959	Kolb
3,108,550 A	10/1963	Knoblock
3,247,811 A	4/1966	Bauder
3,906,848 A	9/1975	Gow
3,954,068 A	5/1976	Roberts et al.
4,099,469 A	7/1978	Sahli
4,105,271 A	8/1978	Sebel et al.
4,196,675 A	4/1980	Cook
4,248,161 A	2/1981	Adair et al.
D353,286 S	12/1994	Hand

D355,091 S	2/1995	Green et al.
D358,954 S	6/1995	Leduc
D366,781 S	2/1996	Cartwright
5,603,267 A	2/1997	Soper
5,644,994 A	7/1997	Liang et al.
6,019,050 A	2/2000	Ranta
D452,626 S	1/2002	Petri
D452,787 S	1/2002	Petri
6,401,630 B1	6/2002	Peterson
D469,996 S	2/2003	Ashby
D470,352 S	2/2003	Strong

**OTHER PUBLICATIONS**

Mosaic, Gonluck Co., c2000, p. 3, profile edge in center.

*Primary Examiner*—Janice E. Seeger

(74) *Attorney, Agent, or Firm*—Workman Nydegger

(57) **CLAIM**

The ornamental design for a portion of a table top, as shown and described.

**DESCRIPTION**

FIG. 1 is an upper perspective view of a portion of a table top in accordance with a preferred embodiment of the present invention;

FIG. 2 is a lower perspective view of a table top illustrating a preferred embodiment of the invention;

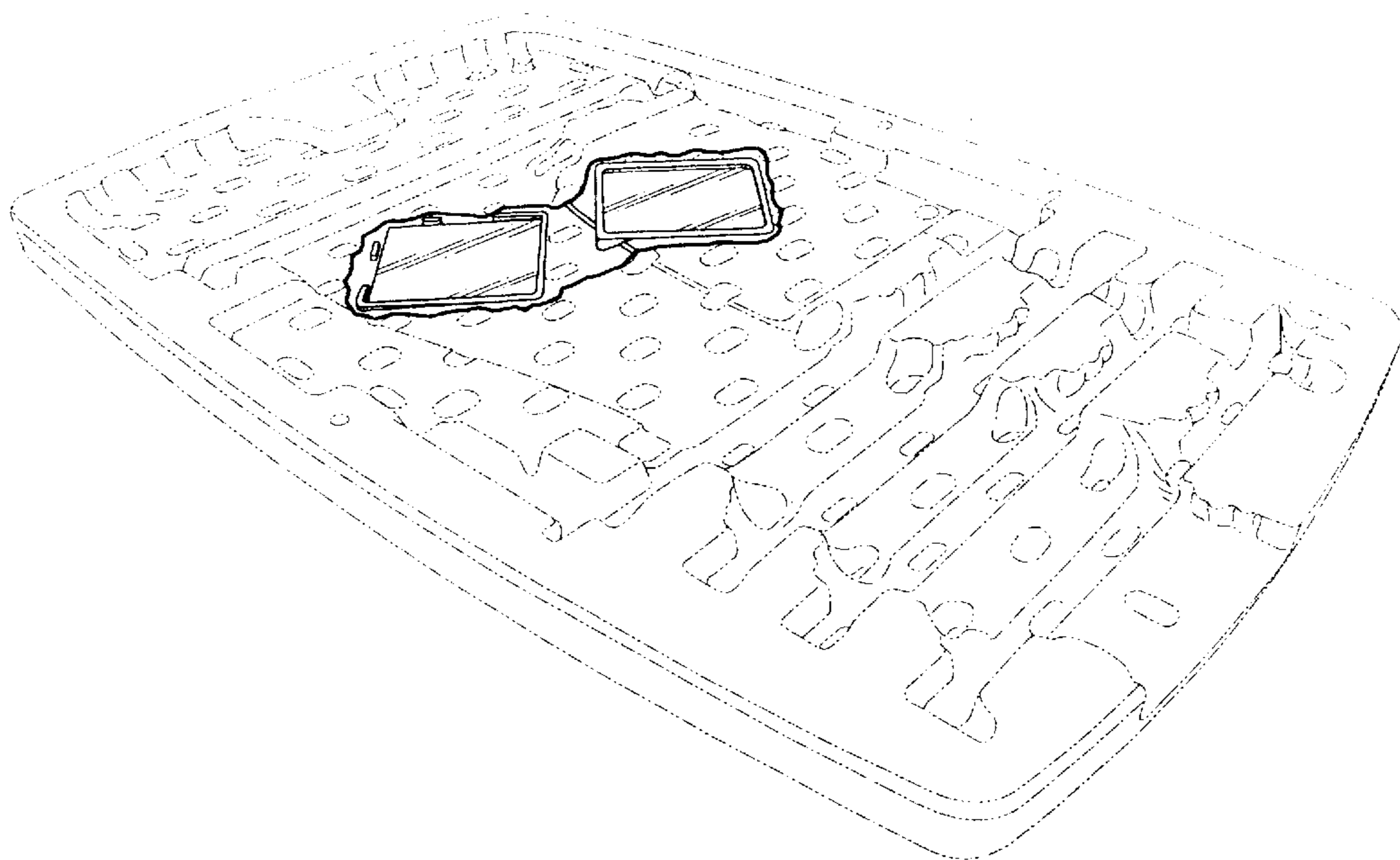
FIG. 3 is a bottom plan view of the table top shown in FIG. 2;

FIG. 4 is a lower perspective view of a table top illustrating another preferred embodiment of the invention; and,

FIG. 5 is a bottom plan view of the table top shown in FIG. 4.

The broken lines shown in the figures are for illustrative purposes only and form no part of the claimed design.

**1 Claim, 3 Drawing Sheets**



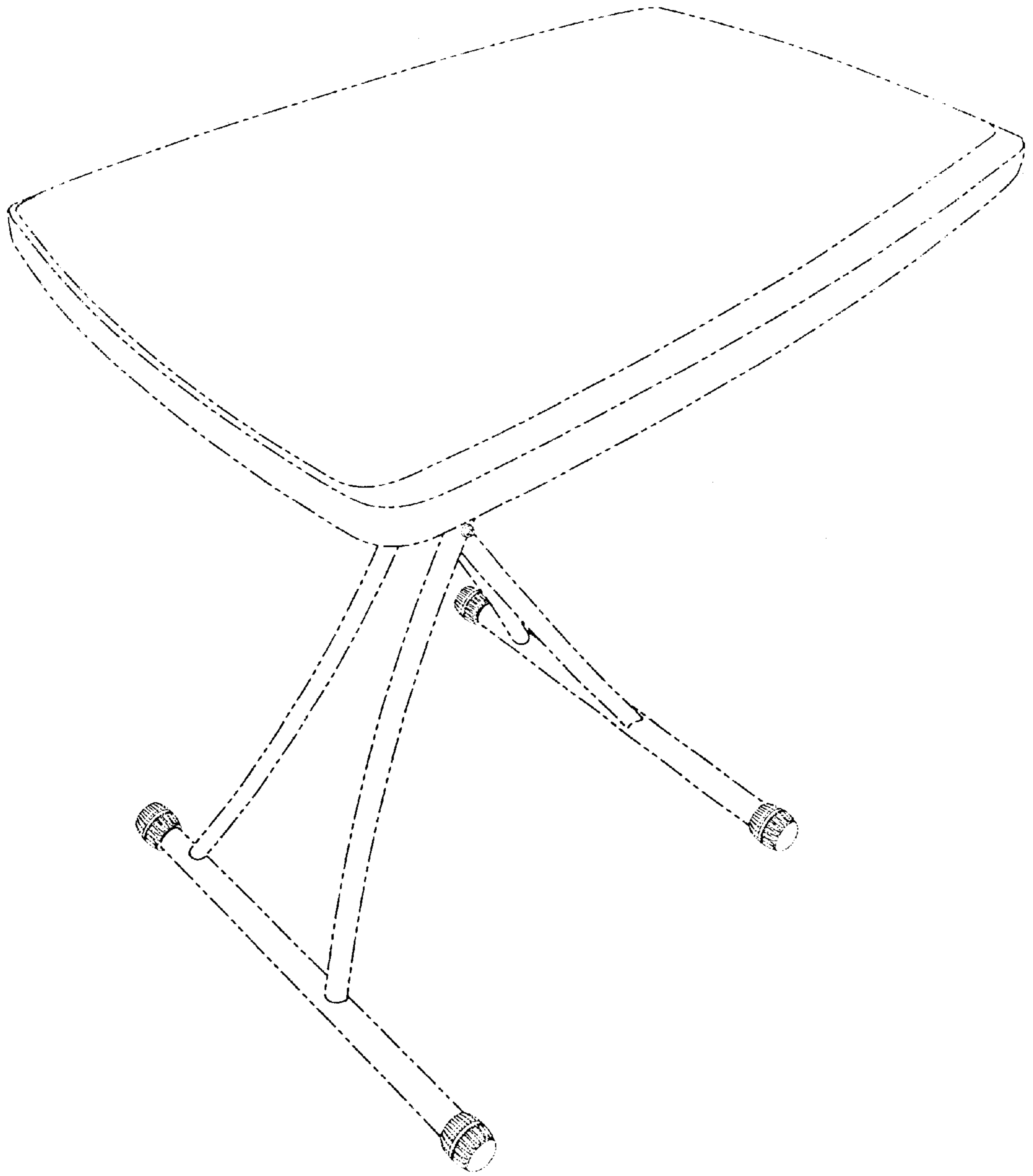


Fig. 1

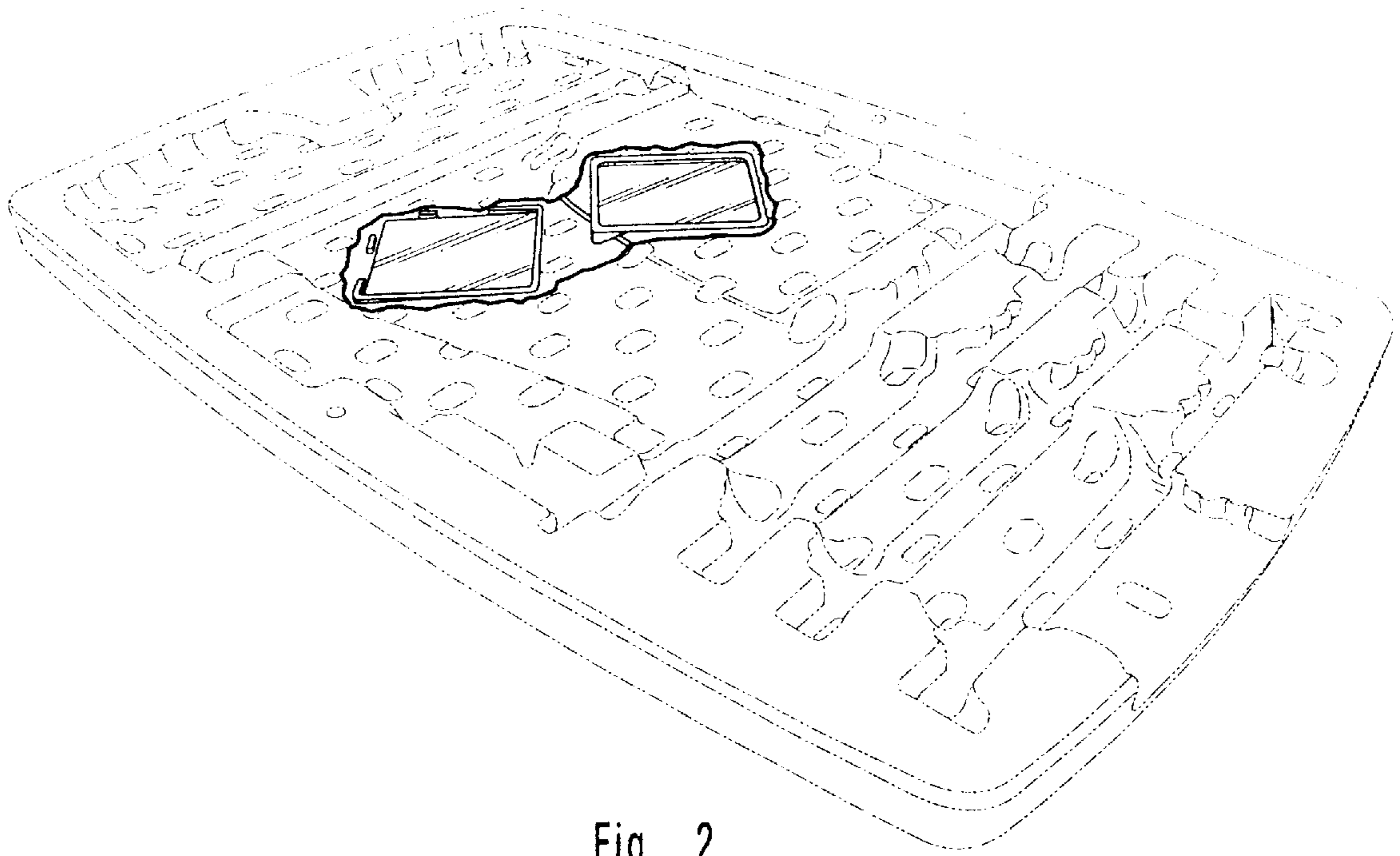


Fig. 2

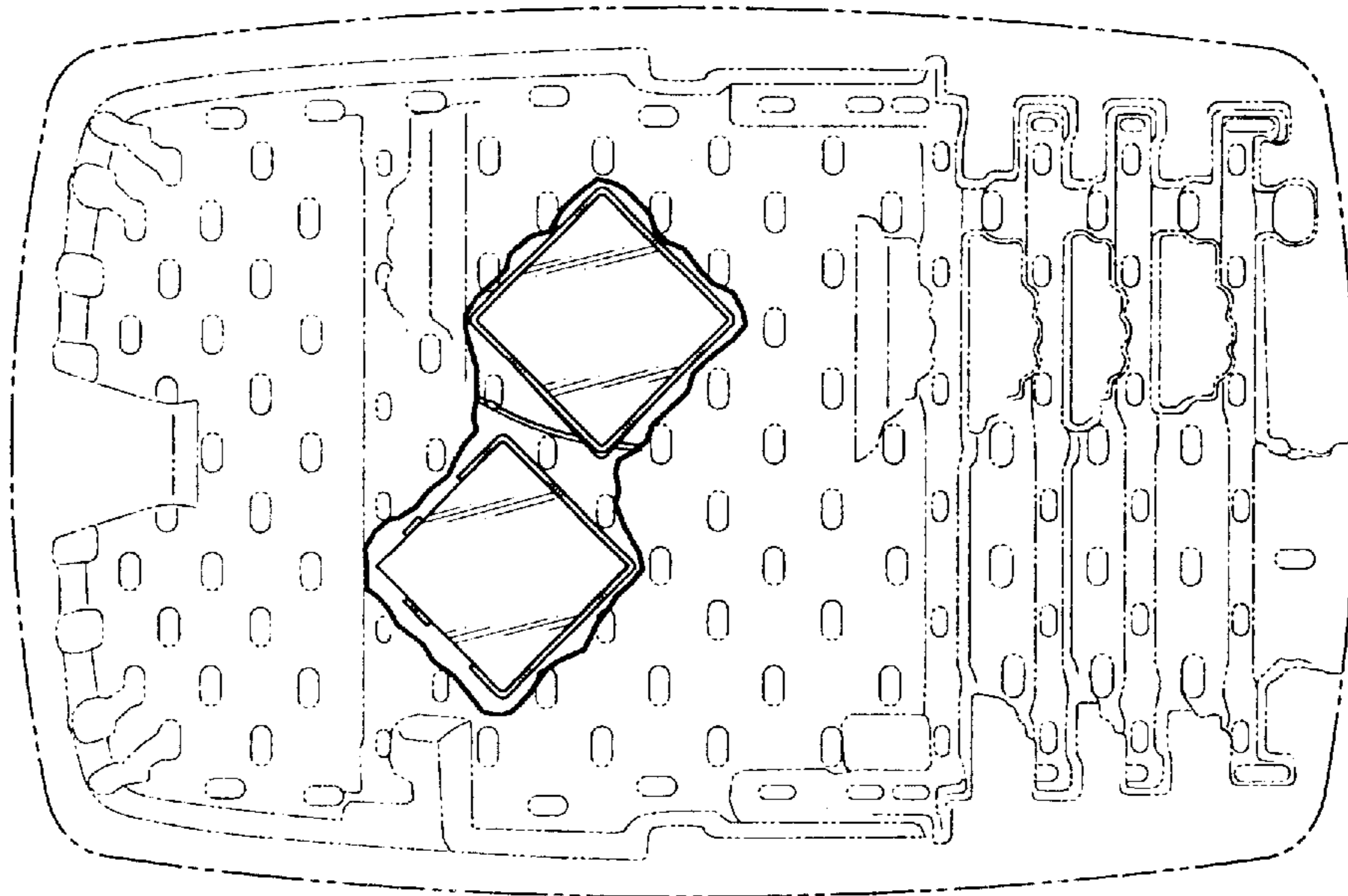


Fig. 3

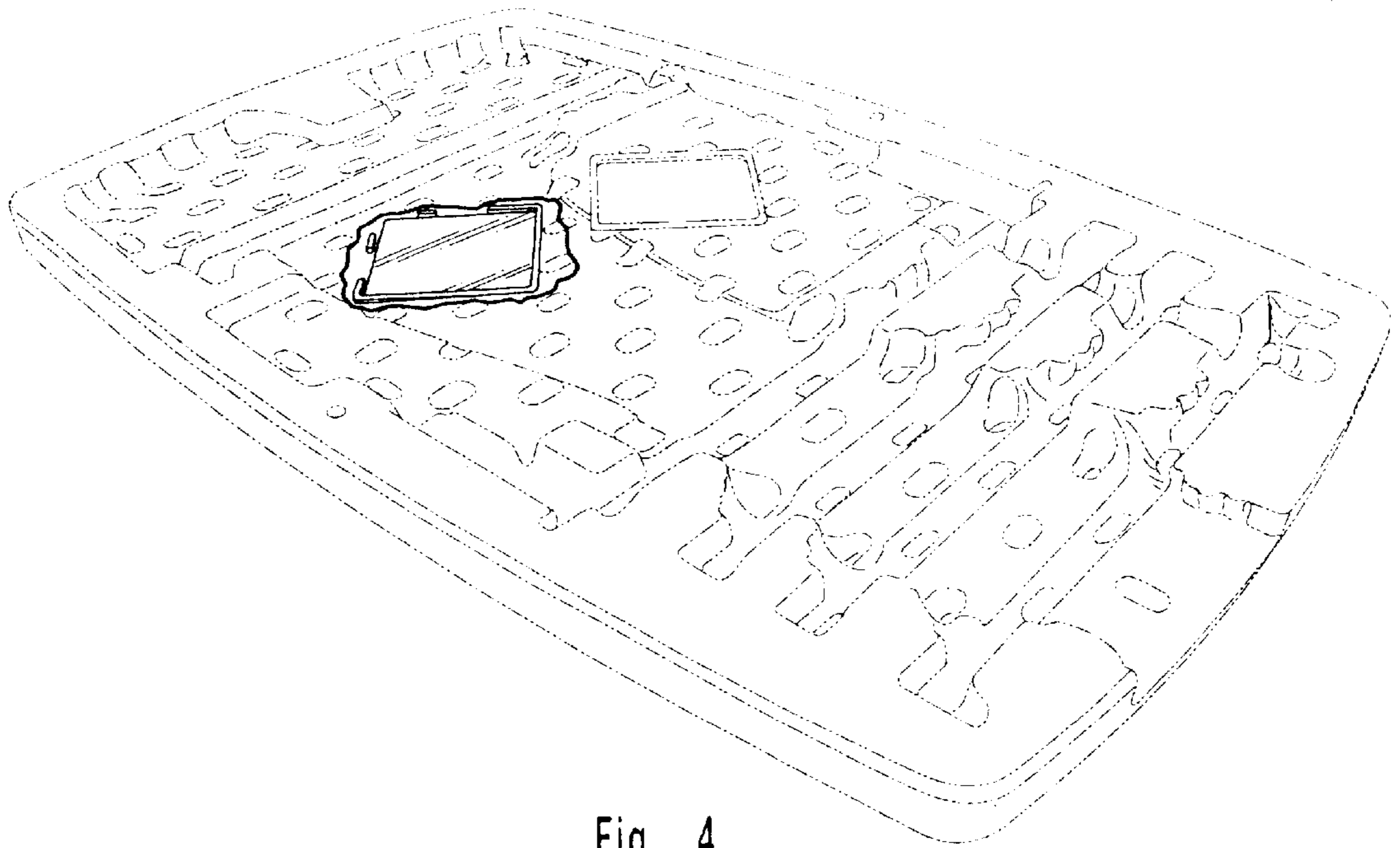


Fig. 4

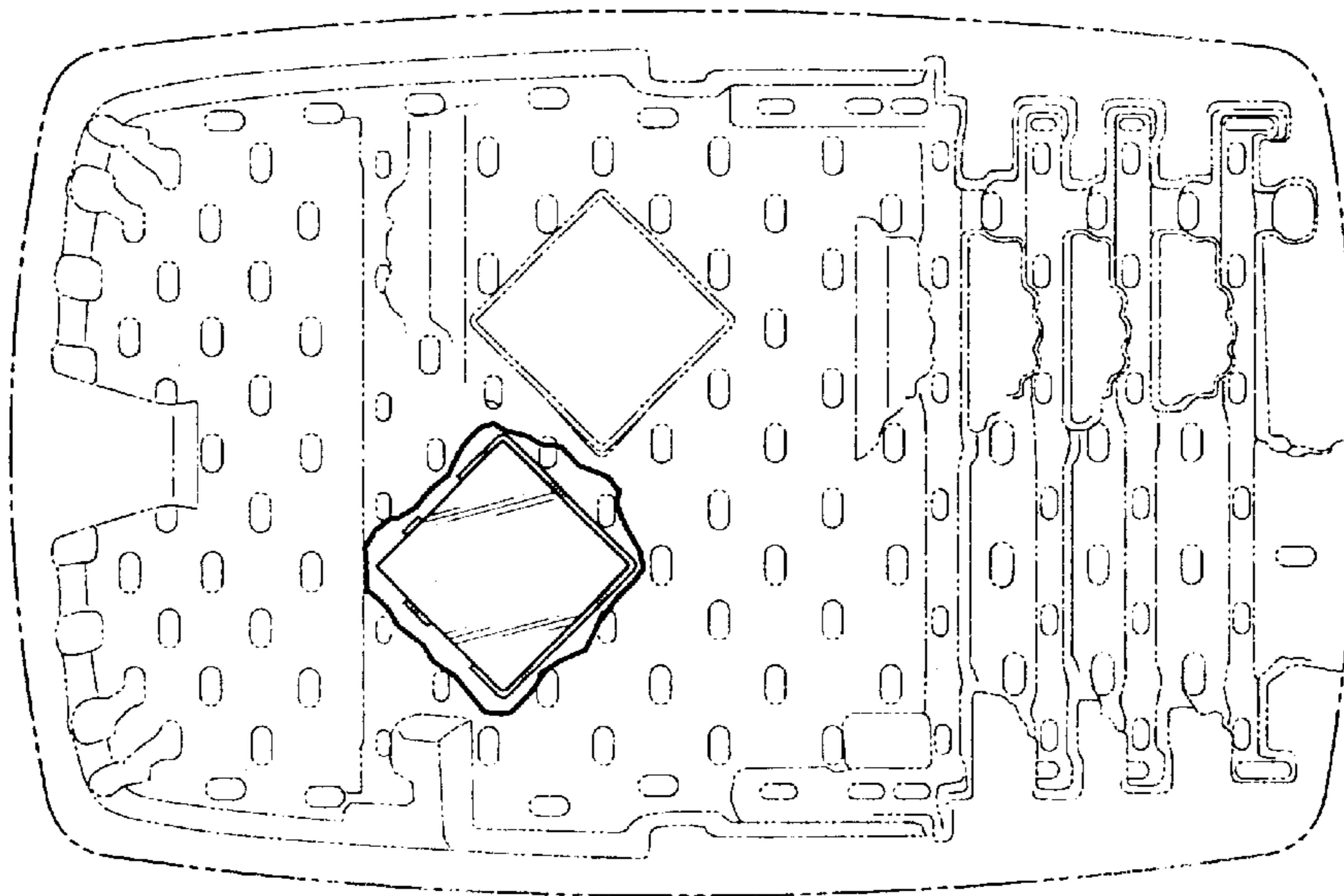


Fig. 5

UNITED STATES PATENT AND TRADEMARK OFFICE  
**CERTIFICATE OF CORRECTION**

PATENT NO. : Des. 489,206 S  
DATED : May 4, 2004  
INVENTOR(S) : L. Curtis Strong

Page 1 of 1

It is certified that error appears in the above-identified patent and that said Letters Patent is hereby corrected as shown below:

Title page,  
Item [57], **DESCRIPTION,**  
Line 9, change "and," to -- and --

Signed and Sealed this

Seventh Day of September, 2004

A handwritten signature in black ink on a light gray dotted background. The signature reads "Jon W. Dudas" in a cursive style.

JON W. DUDAS

*Director of the United States Patent and Trademark Office*