



US00D489201S

(12) **United States Design Patent**
Stanton

(10) **Patent No.:** **US D489,201 S**

(45) **Date of Patent:** **** May 4, 2004**

(54) **TABLE**

Furniture Leg on Table, Homestyle, May 1993.

(75) **Inventor:** **Shawn Christopher Stanton**, High Point, NC (US)

* cited by examiner

(73) **Assignee:** **Thomasville Furniture Industries, Inc.**, Thomasville, NC (US)

Primary Examiner—Janice E. Seeger

(74) *Attorney, Agent, or Firm*—Womble Carlyle Sandridge & Rice, PLLC

(**) **Term:** **14 Years**

(21) **Appl. No.:** **29/181,333**

(22) **Filed:** **May 8, 2003**

(51) **LOC (7) Cl.** **06-03**

(52) **U.S. Cl.** **D6/484**

(58) **Field of Search** D6/480–489, 495, D6/511; 108/153.1, 155, 156, 157.1, 161; 248/188, 188.1, 188.8

(57) **CLAIM**

The ornamental design for a table, as shown and described.

DESCRIPTION

FIG. 1 is a perspective view of a table showing my new design;

FIG. 2 is a side elevational view, the opposite side being a mirror image thereof;

FIG. 3 is an end elevational view, the opposite end being a mirror image thereof; and,

FIG. 4 is a top view thereof.

The views of the table not shown from no part of the claimed design. The broken lines depicting a shelf represent environmental elements only and form no part of the claimed design.

(56) **References Cited**

U.S. PATENT DOCUMENTS

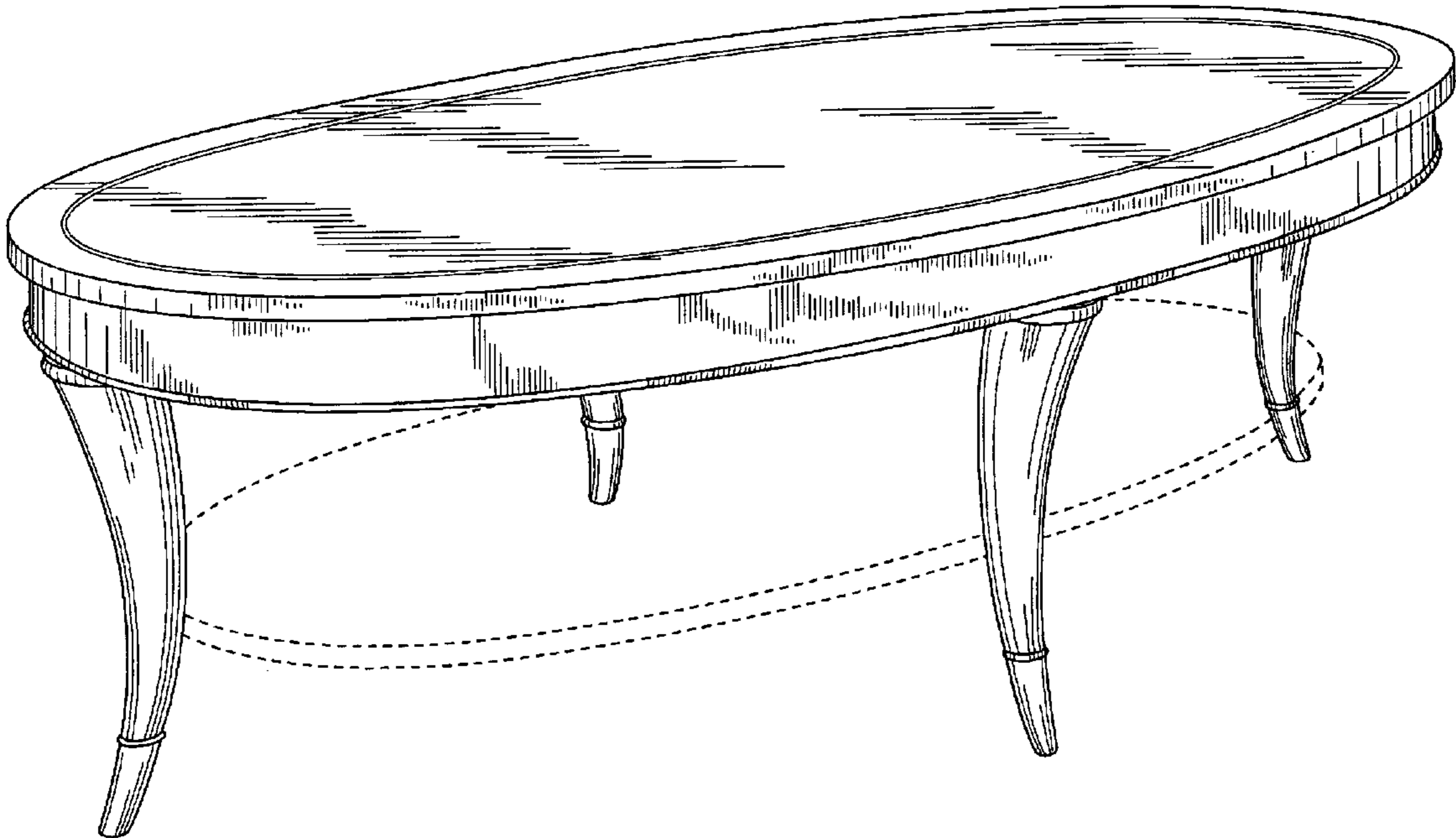
- D367,785 S * 3/1996 Lewis D6/480
- D403,900 S * 1/1999 Hutton D6/484
- D457,355 S 5/2002 Wistehuff, Sr. D6/477

OTHER PUBLICATIONS

Furniture Leg on Sideboard, Maison Gerard Ltd., p. 272, date unknown, available as of the filing date.

Furniture Leg on Chair, source unknown, p. 145, date unknown, available as of the filing date.

1 Claim, 4 Drawing Sheets



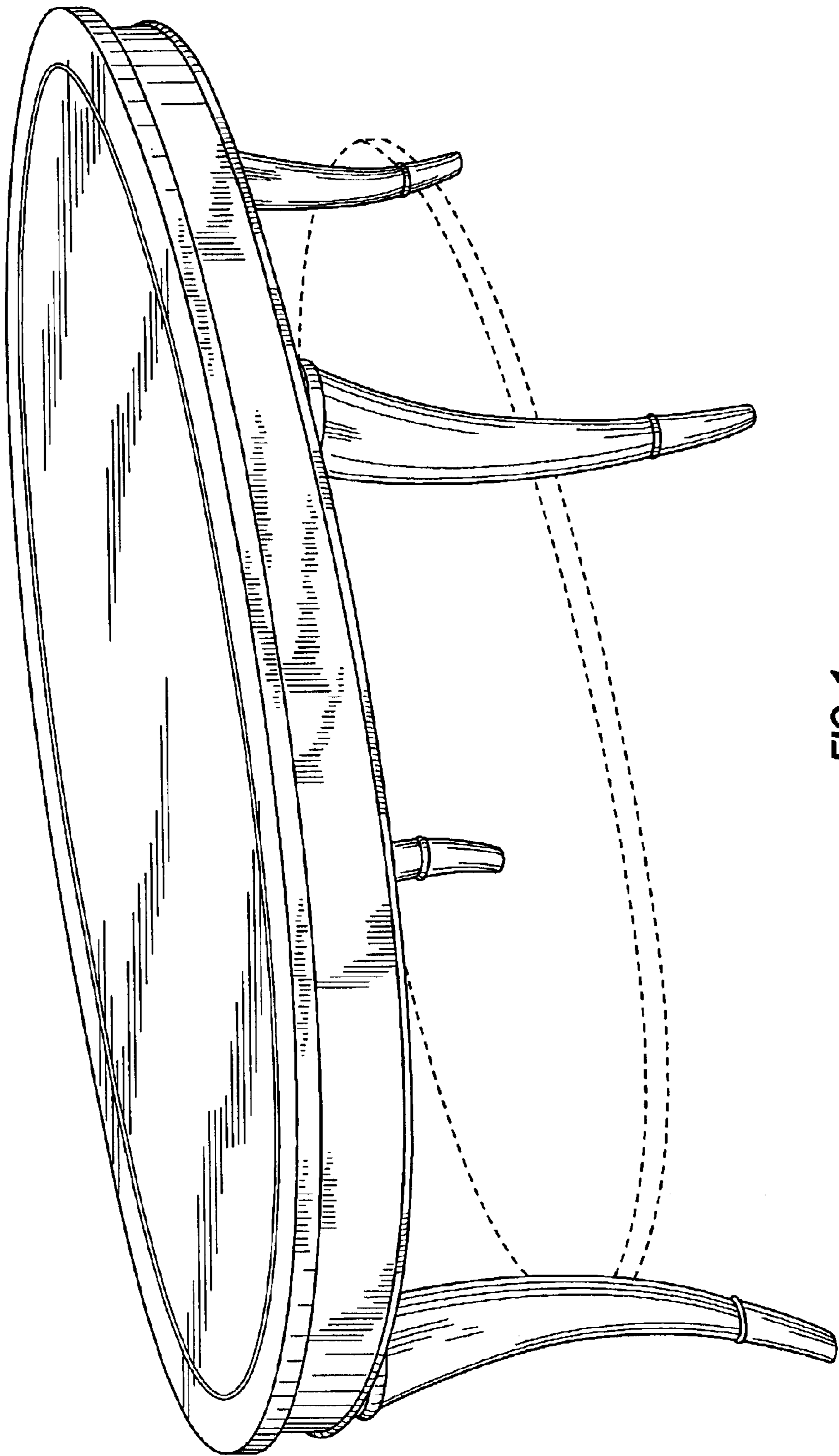


FIG. 1

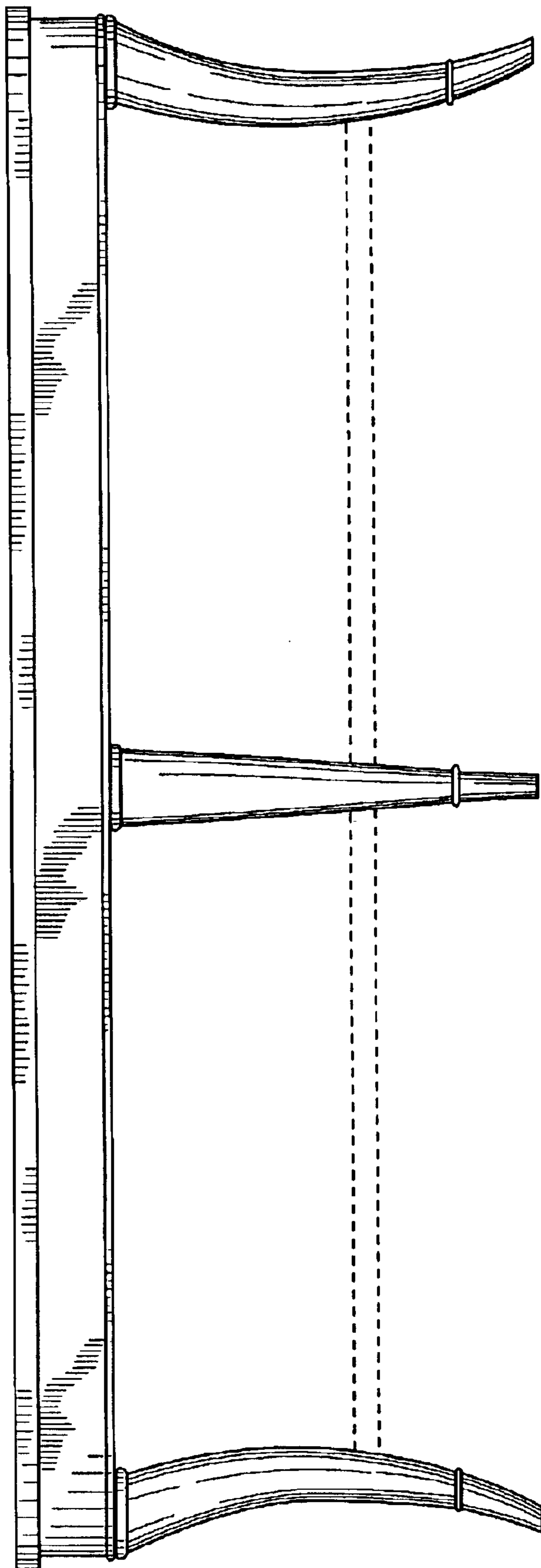


FIG. 2

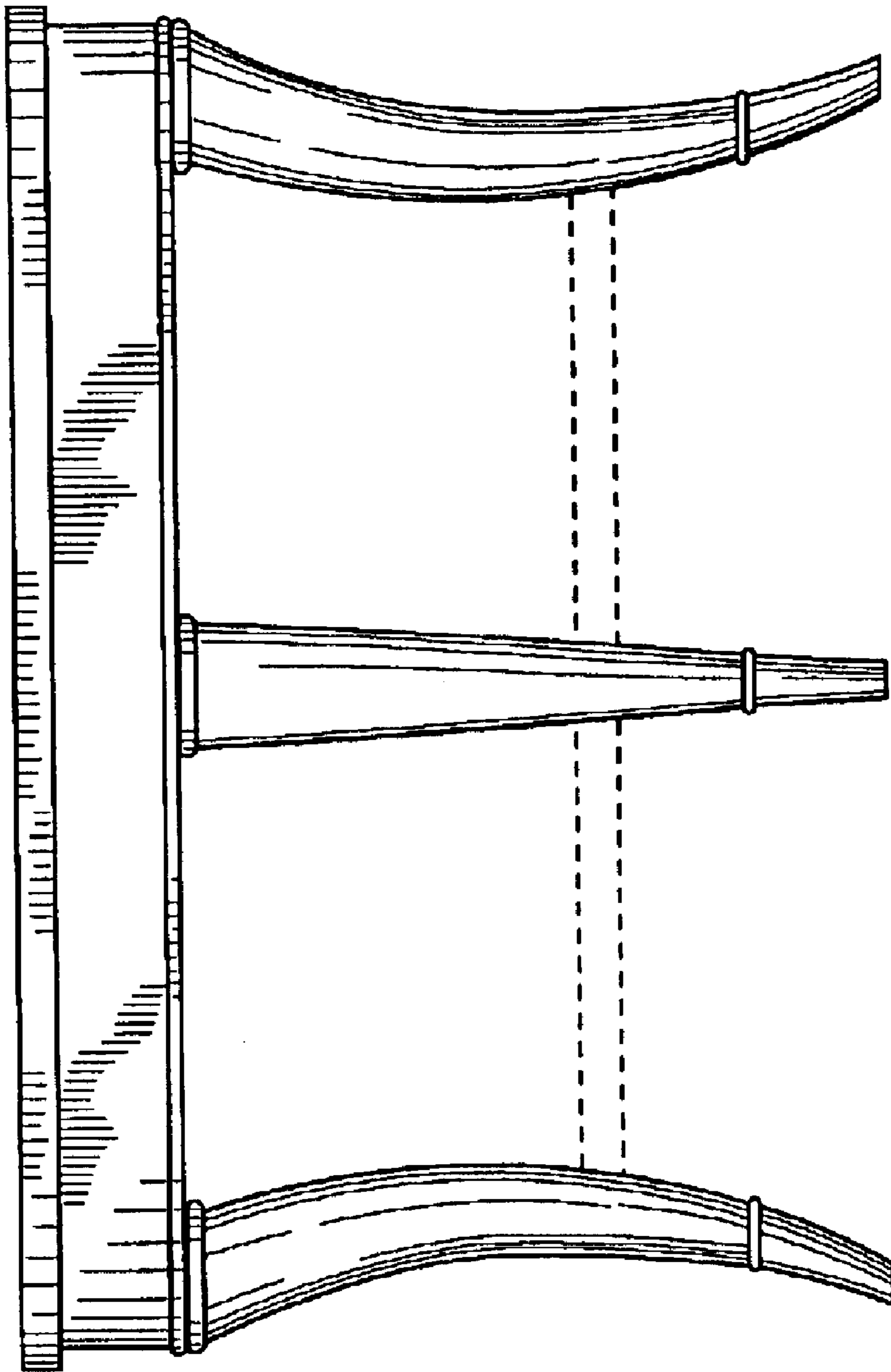


FIG. 3

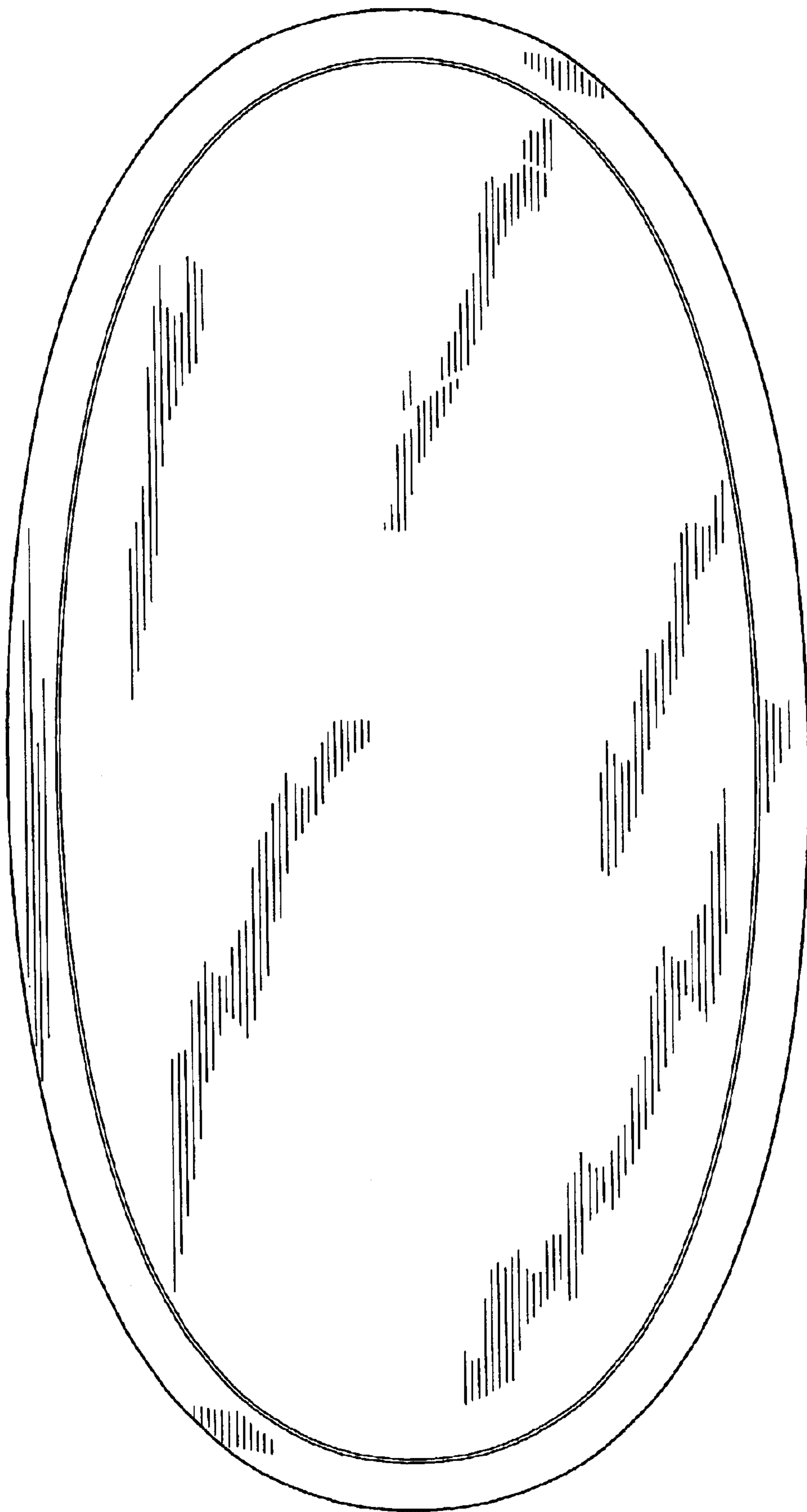


FIG. 4