



US00D489200S

(12) **United States Design Patent**
Antonioni

(10) **Patent No.:** **US D489,200 S**

(45) **Date of Patent:** **** May 4, 2004**

(54) **DESK**

(75) **Inventor:** **Dario Cesar Antonioni**, Los Angeles, CA (US)

(73) **Assignee:** **Elite Manufacturing Corporation**, Santa Fe Springs, CA (US)

(**) **Term:** **14 Years**

(21) **Appl. No.:** **29/174,316**

(22) **Filed:** **Jan. 14, 2003**

(51) **LOC (7) Cl.** **06-03**

(52) **U.S. Cl.** **D6/484; D6/422**

(58) **Field of Search** D6/480-489, 511, D6/495-499, 429, 422-428; 108/50.01, 50.02; 312/194-196, 204, 208.1, 208.2, 208.3, 239, 238; 248/188, 188.1, 188.8

(56) **References Cited**

U.S. PATENT DOCUMENTS

- D242,102 S * 11/1976 Stirling D6/484
- D267,458 S * 1/1983 McKinnon D6/329
- D401,790 S * 12/1998 Buell D6/484

OTHER PUBLICATIONS

ATD American Jul. 6, 1995, p. M60, table at far left and center.*

D.I.A., Curvilinear table.*

D.I.A., Continental table.*

* cited by examiner

Primary Examiner—Janice E. Seeger

(74) *Attorney, Agent, or Firm*—George W. Finch

(57) **CLAIM**

The ornamental design for a desk, as shown and described.

DESCRIPTION

FIG. 1 is a perspective view showing the front side, and top of the ornamental design and the ornamental effect of its frosted glass top and center shelf;

FIG. 2 is a front view of the same;

FIG. 3 is a right side elevational view of the same;

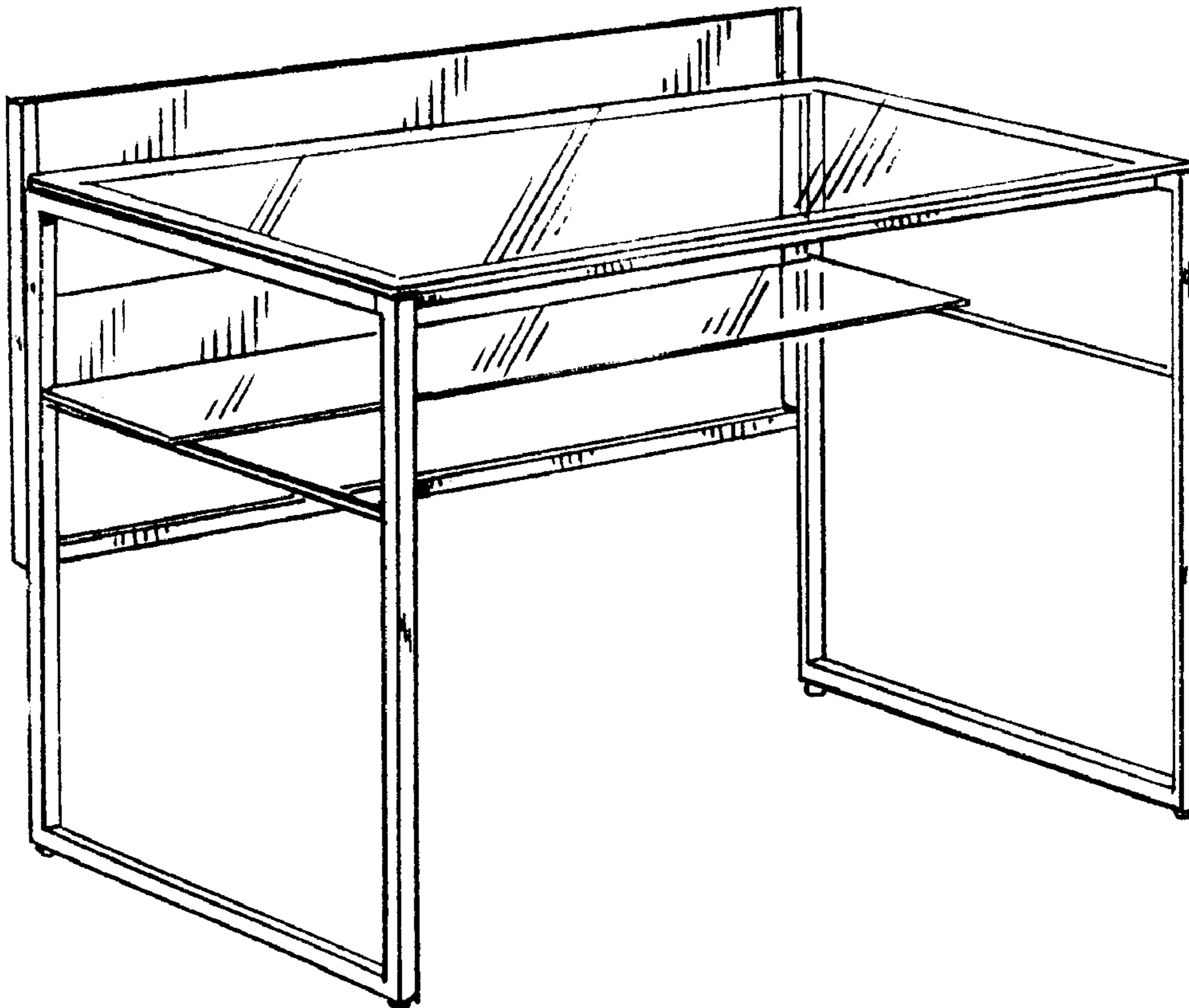
FIG. 4 is a left side elevational view of the same;

FIG. 5 is a back view of the same;

FIG. 6 is a top plan view of the same; and,

FIG. 7 is an underside view of the same.

1 Claim, 2 Drawing Sheets



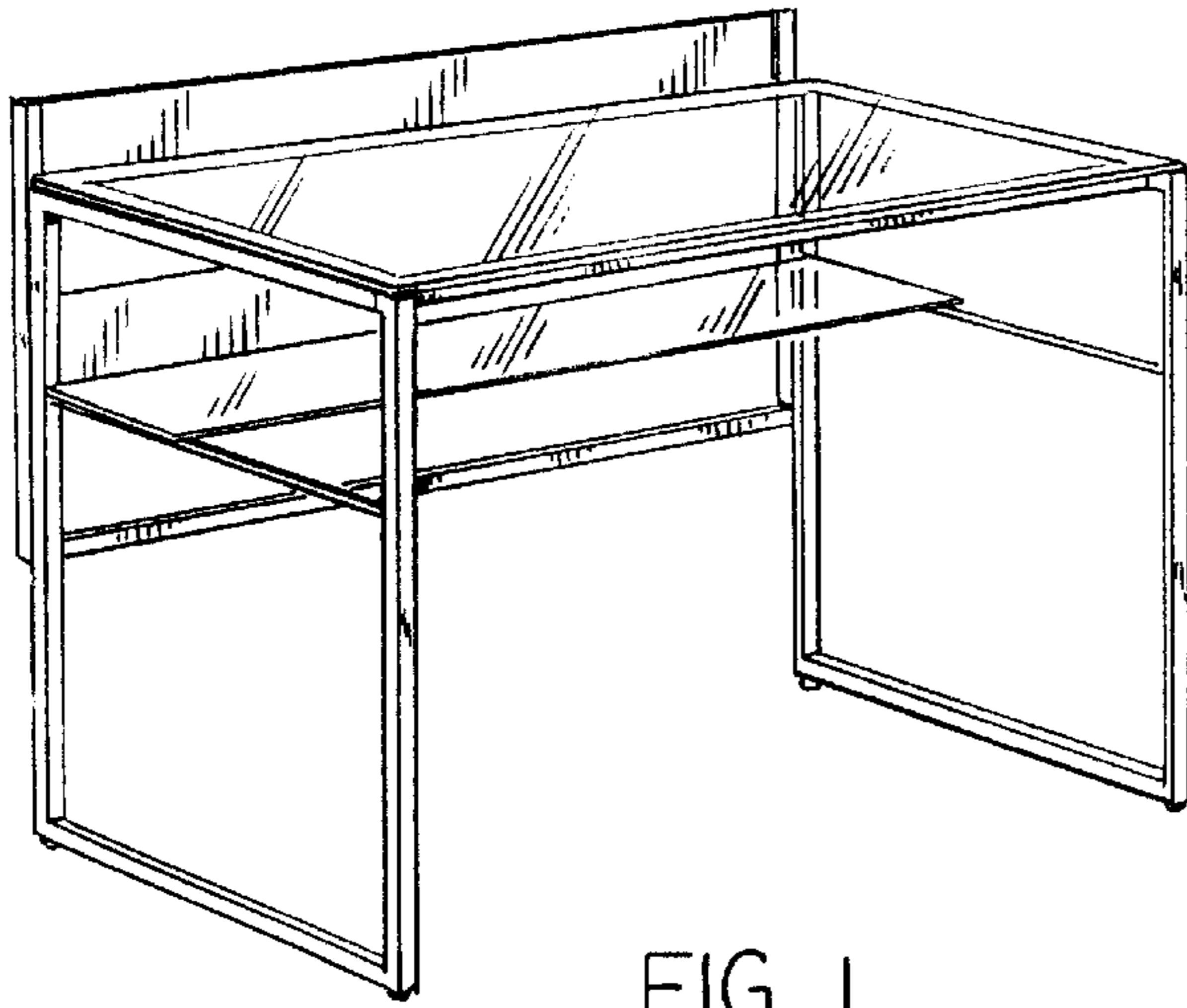


FIG. 1

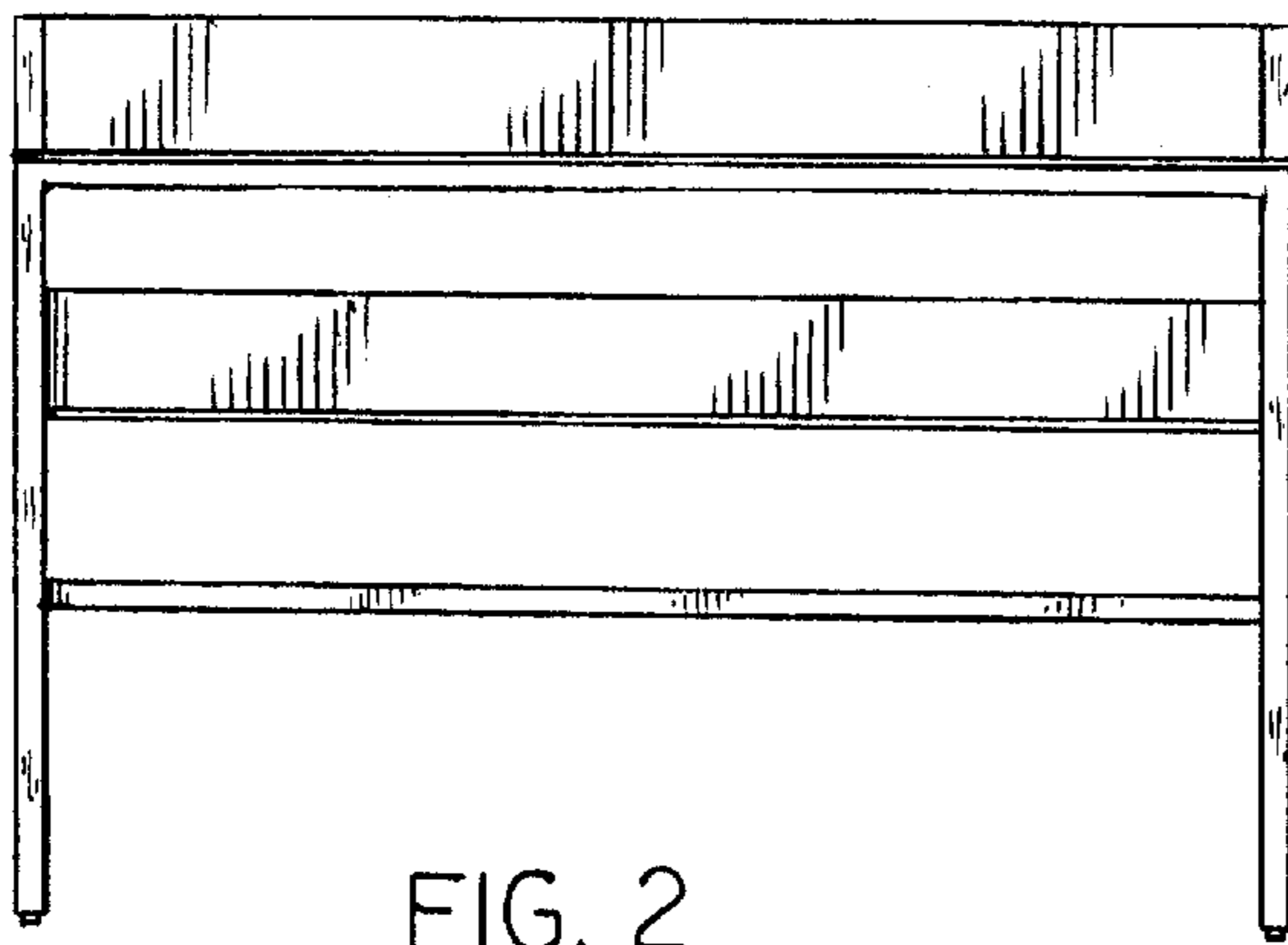


FIG. 2

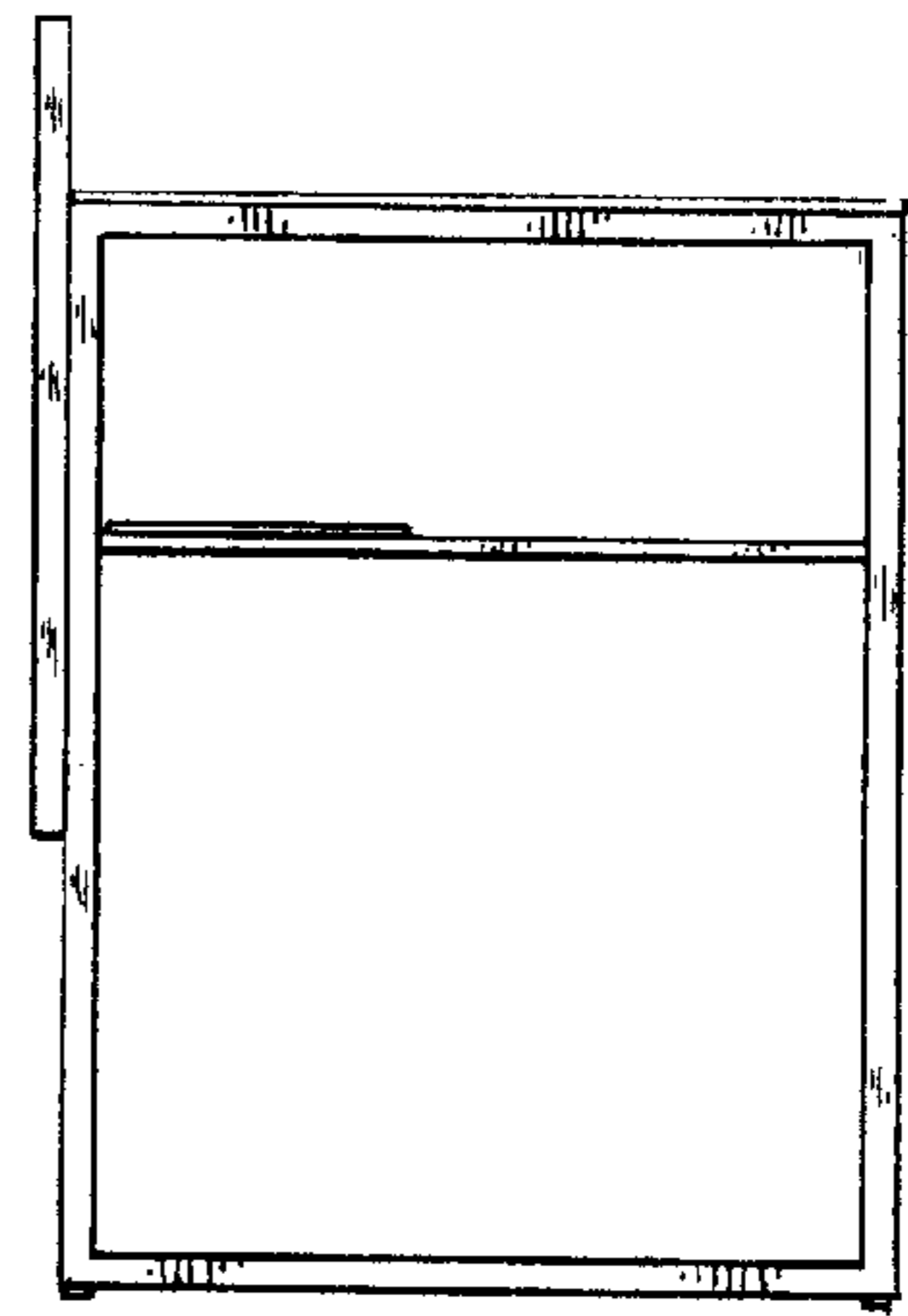


FIG. 3

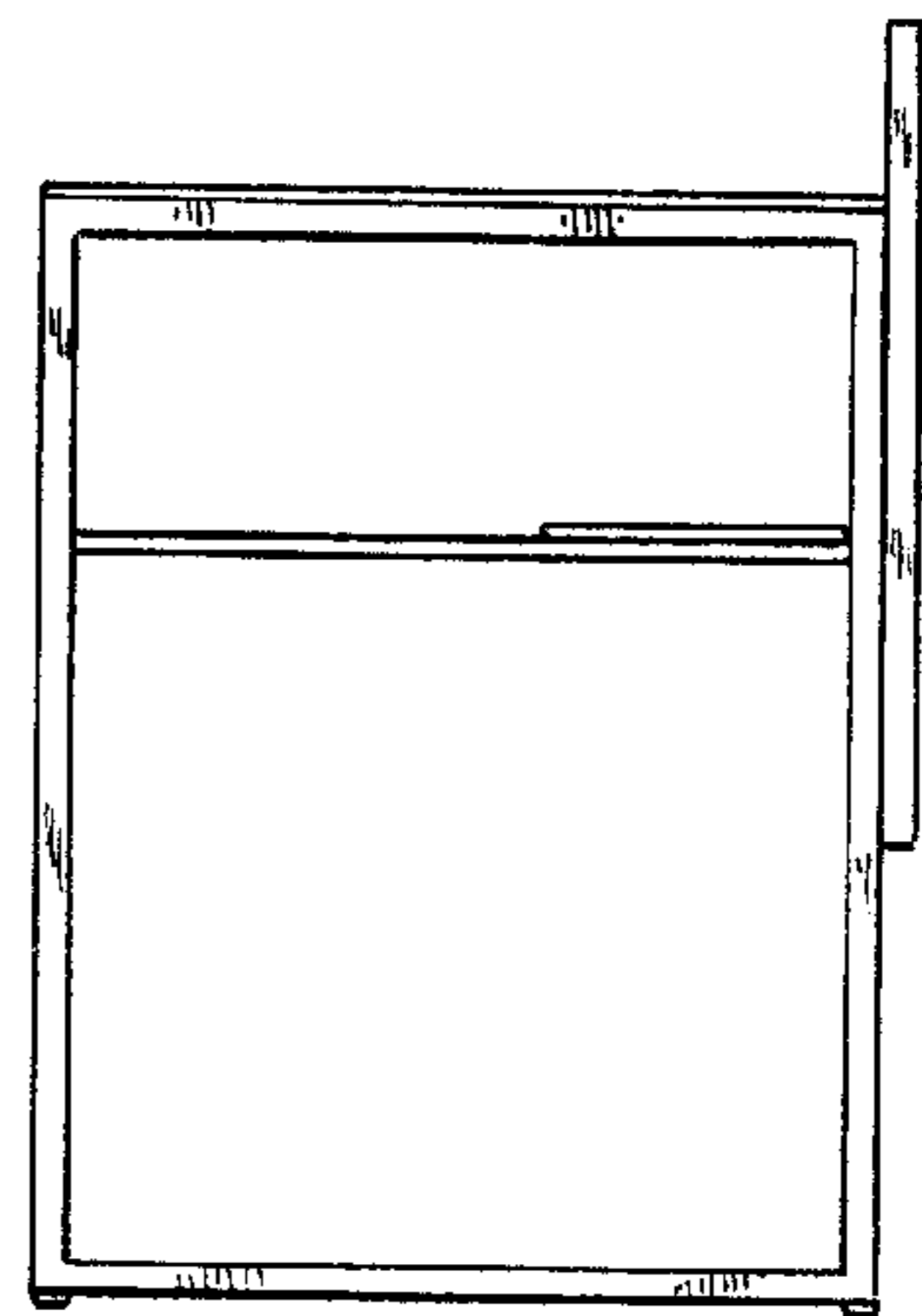


FIG. 4

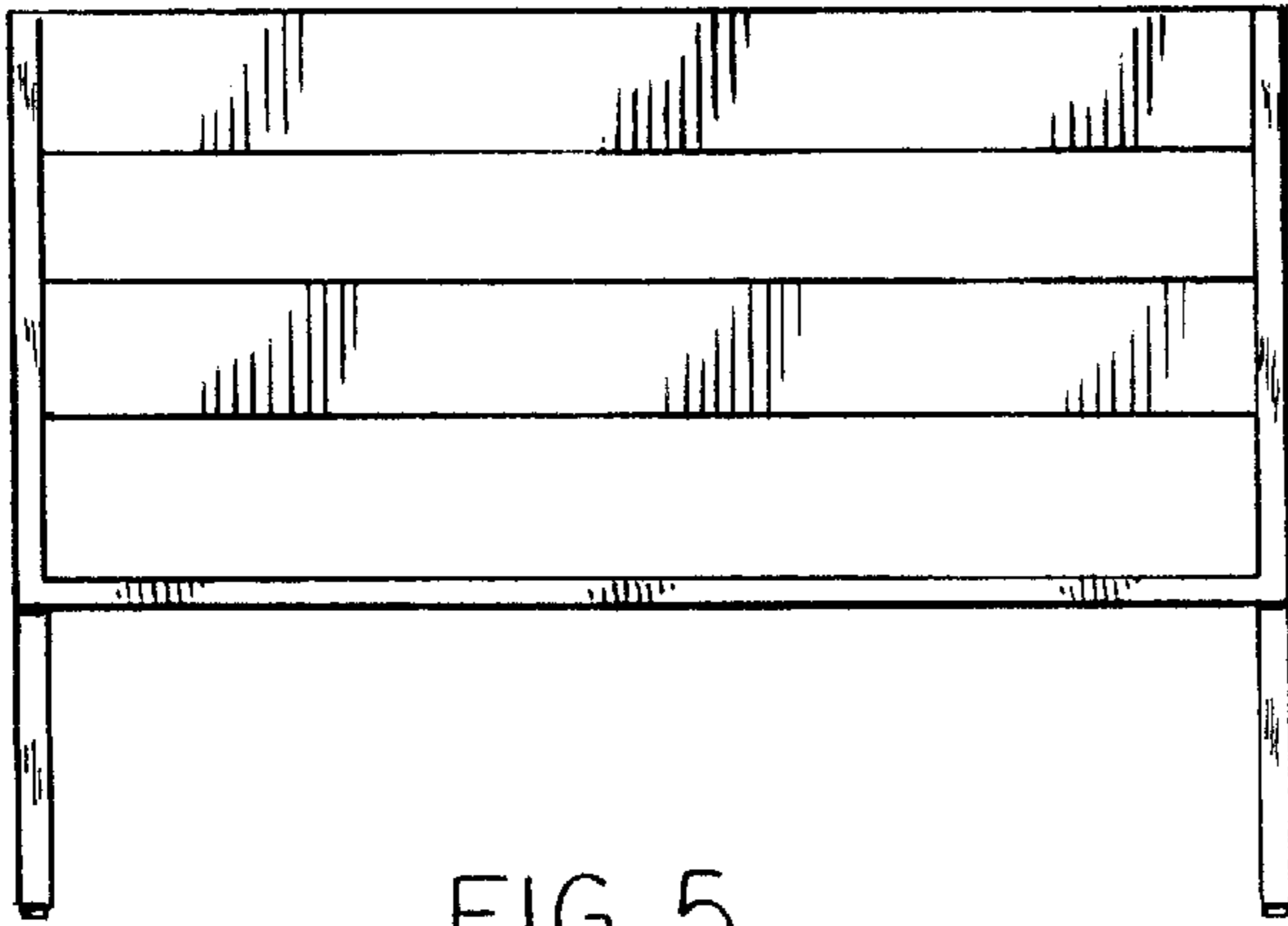


FIG. 5

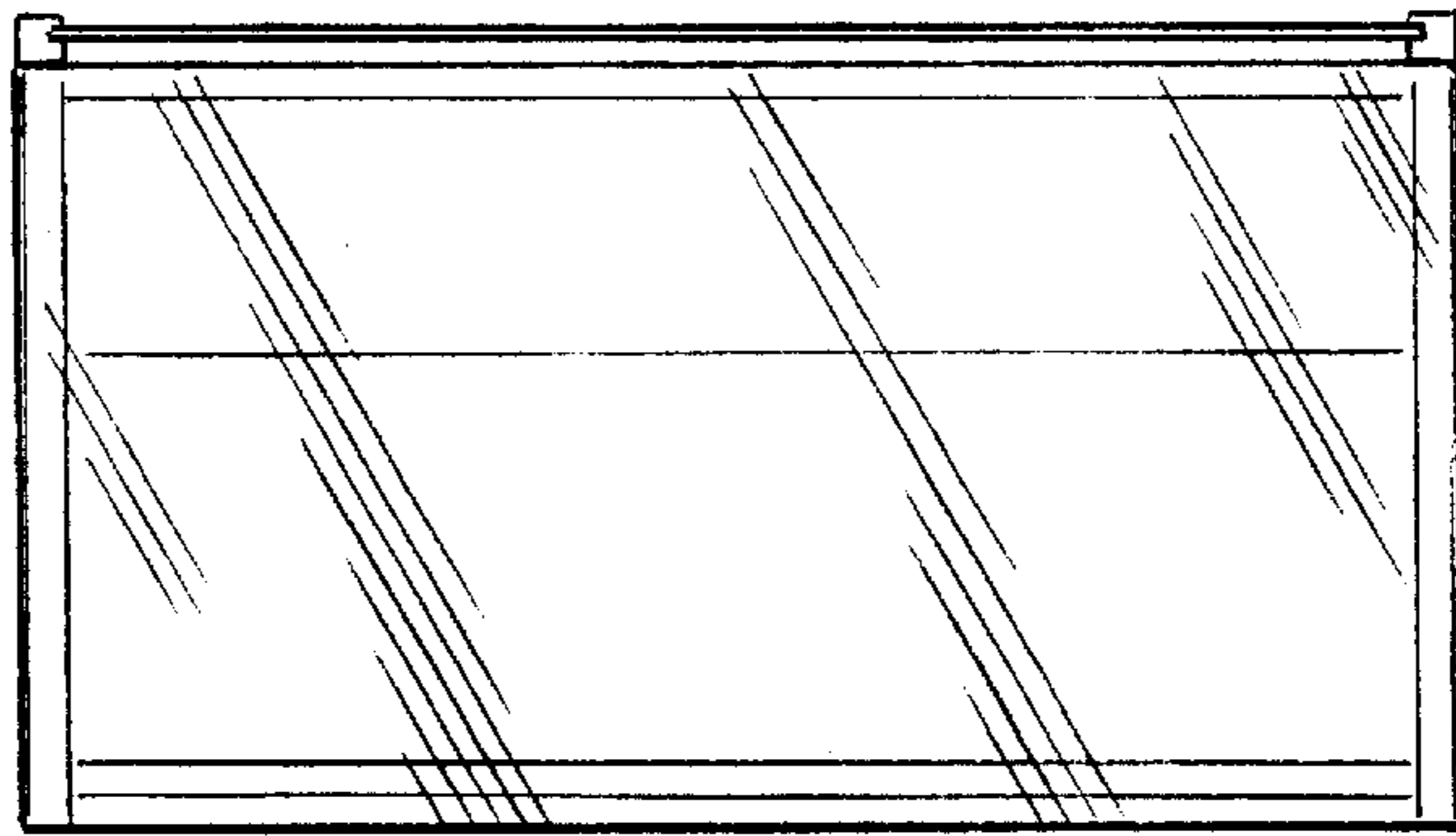


FIG. 6

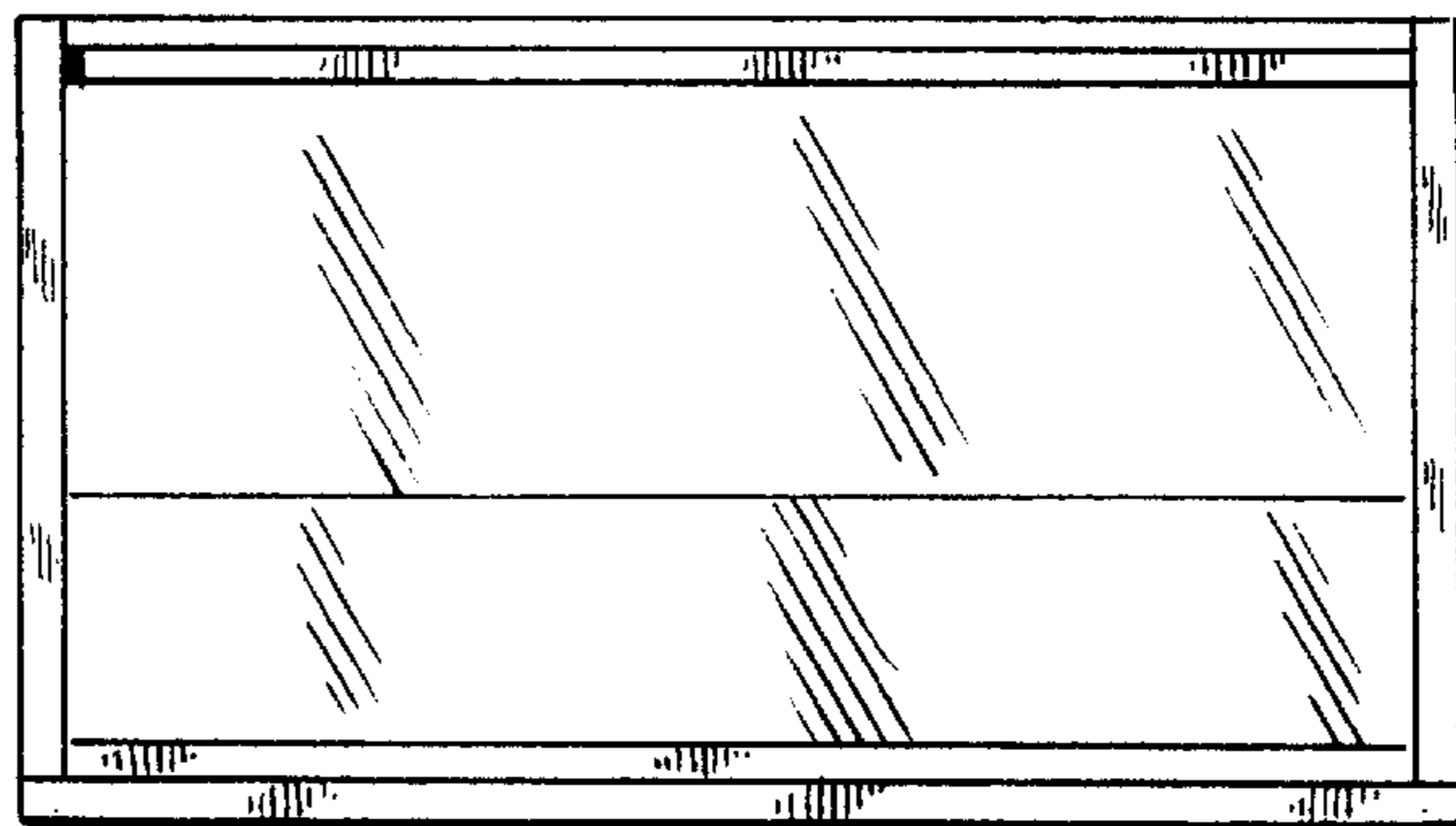


FIG. 7