



US00D489199S

(12) **United States Design Patent**  
**Sargent**

(10) **Patent No.:** **US D489,199 S**

(45) **Date of Patent:** **\*\* May 4, 2004**

(54) **TRAILER HITCH BALL DISPLAY**

D355,992 S \* 3/1995 Perry ..... D6/467

(76) **Inventor:** **Norbert F. Sargent**, 2070 S. Almont Ave., Lot 118, Imlay City, MI (US) 48444

\* cited by examiner

*Primary Examiner*—Cathron C. Brooks  
(74) *Attorney, Agent, or Firm*—Young & Basile, PC

(\*\*) **Term:** **14 Years**

(57) **CLAIM**

(21) **Appl. No.:** **29/166,323**

The ornamental design for a trailer hitch ball display, as shown and described.

(22) **Filed:** **Aug. 26, 2002**

**DESCRIPTION**

(51) **LOC (7) Cl.** ..... **06-04**

(52) **U.S. Cl.** ..... **D6/467**

(58) **Field of Search** ..... D6/449, 450, 400, D6/466-469, 475, 491, 492, 509; 206/386, 599, 600, 278, 314, 315.9; 211/11, 85.4, 85.6, 14, 55, 72, 59.2; 248/560, 441.1, 346.02, 448, 281

FIG. 1 is a perspective view embodying the ornamental design constituting my invention;  
FIG. 2 is a front elevation view thereof;  
FIG. 3 is a rear plan view thereof;  
FIG. 4 is a right-side elevational view thereof;  
FIG. 5 is a left-side elevational view thereof;  
FIG. 6 is a top plan view thereof; and,  
FIG. 7 is a bottom view thereof.

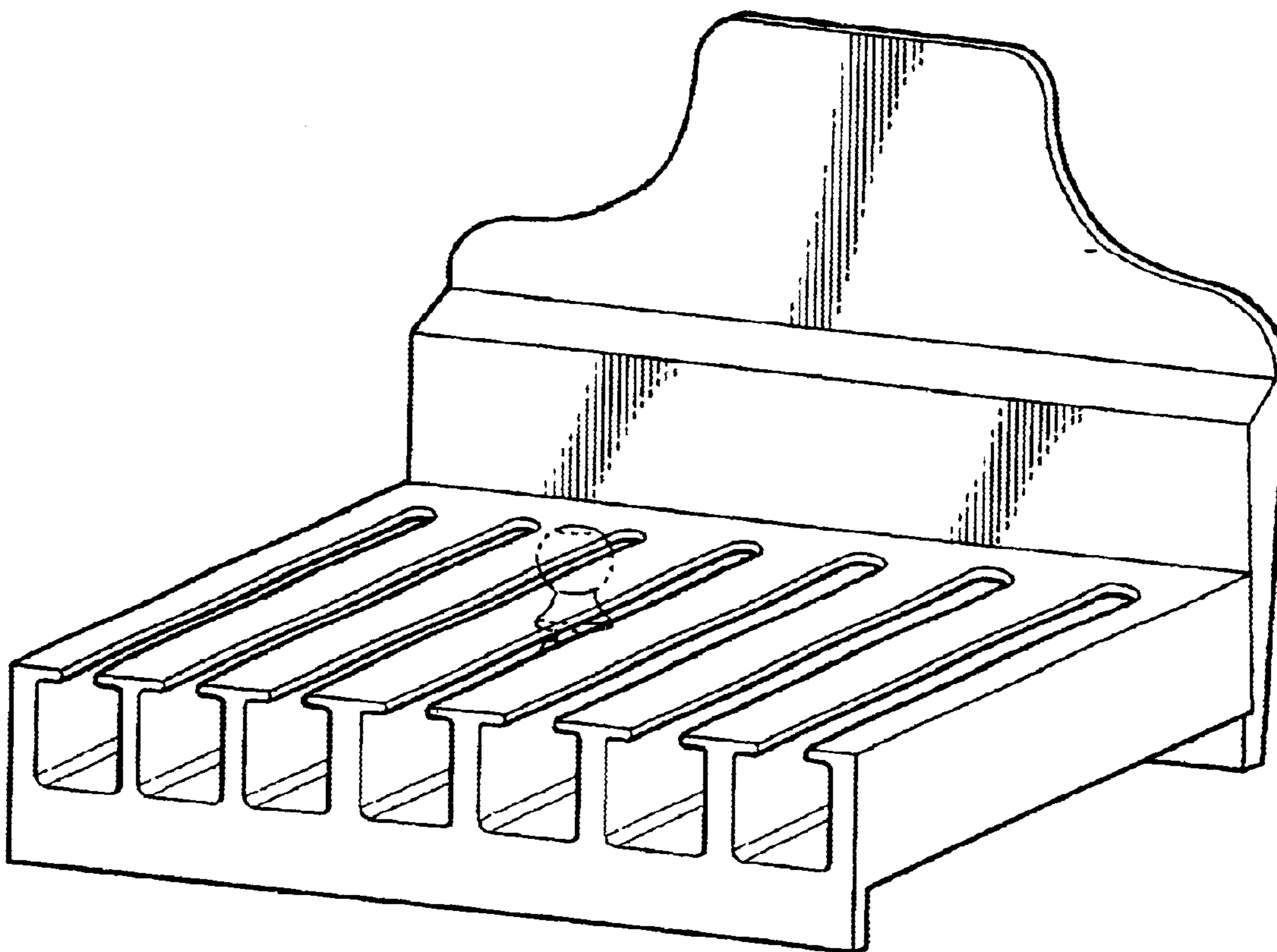
(56) **References Cited**

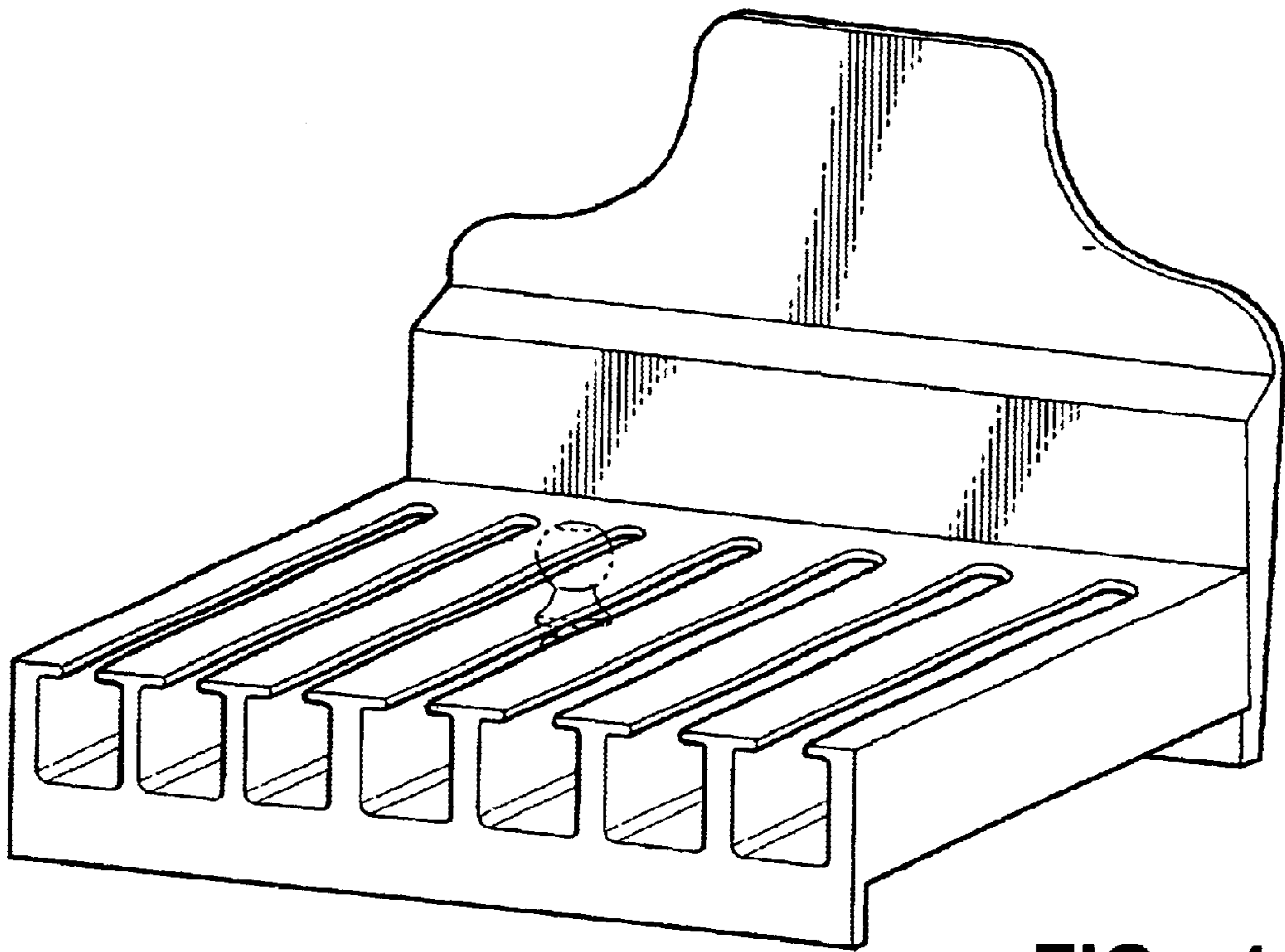
**U.S. PATENT DOCUMENTS**

The broken line showing of a trailer ball hitch is for illustrative purposes only and forms no part of the claimed design.

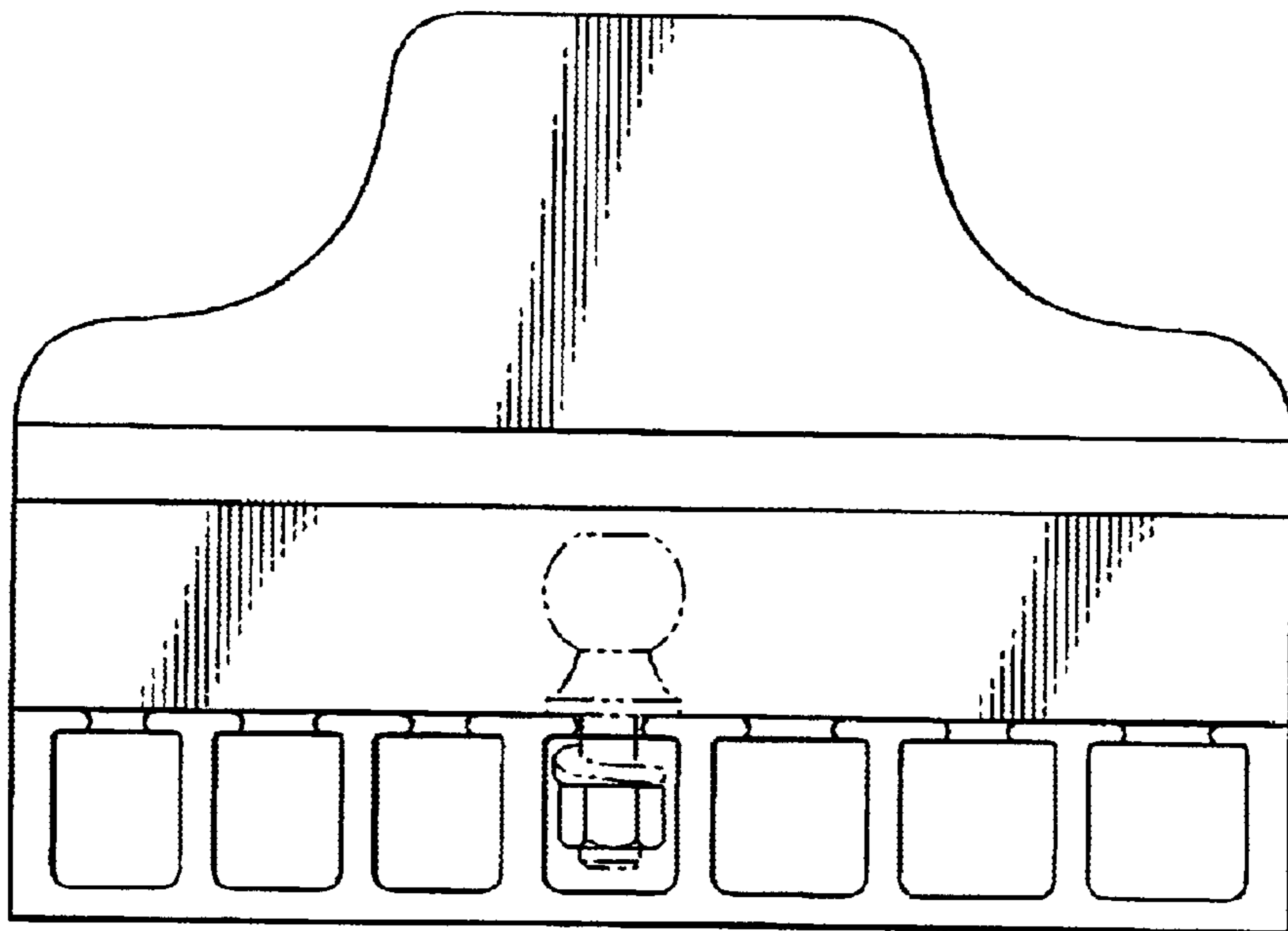
- D284,627 S \* 7/1986 Burchill ..... D6/407
- D321,535 S \* 11/1991 Carretta ..... D19/92
- D322,728 S \* 12/1991 Berman ..... D6/476

**1 Claim, 3 Drawing Sheets**

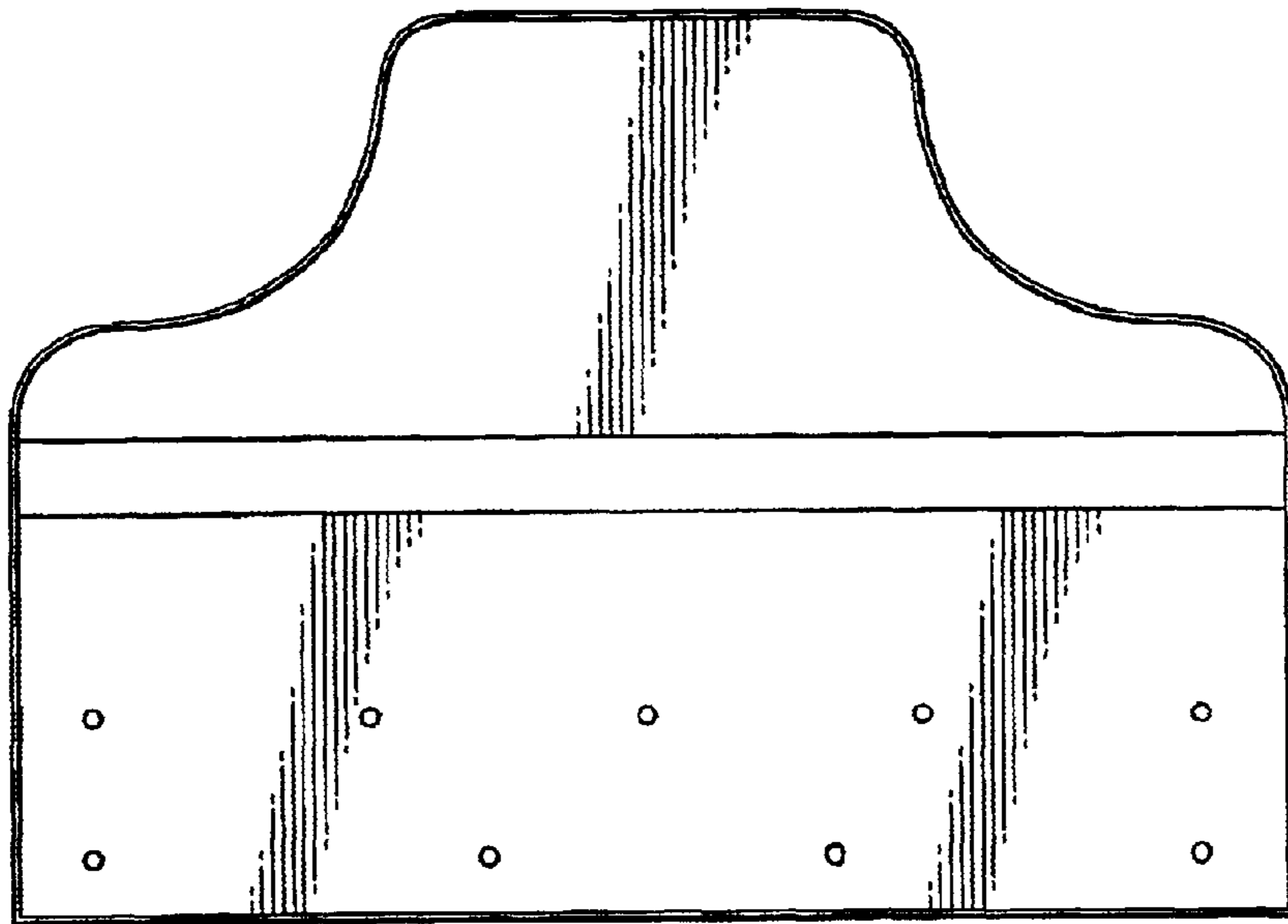




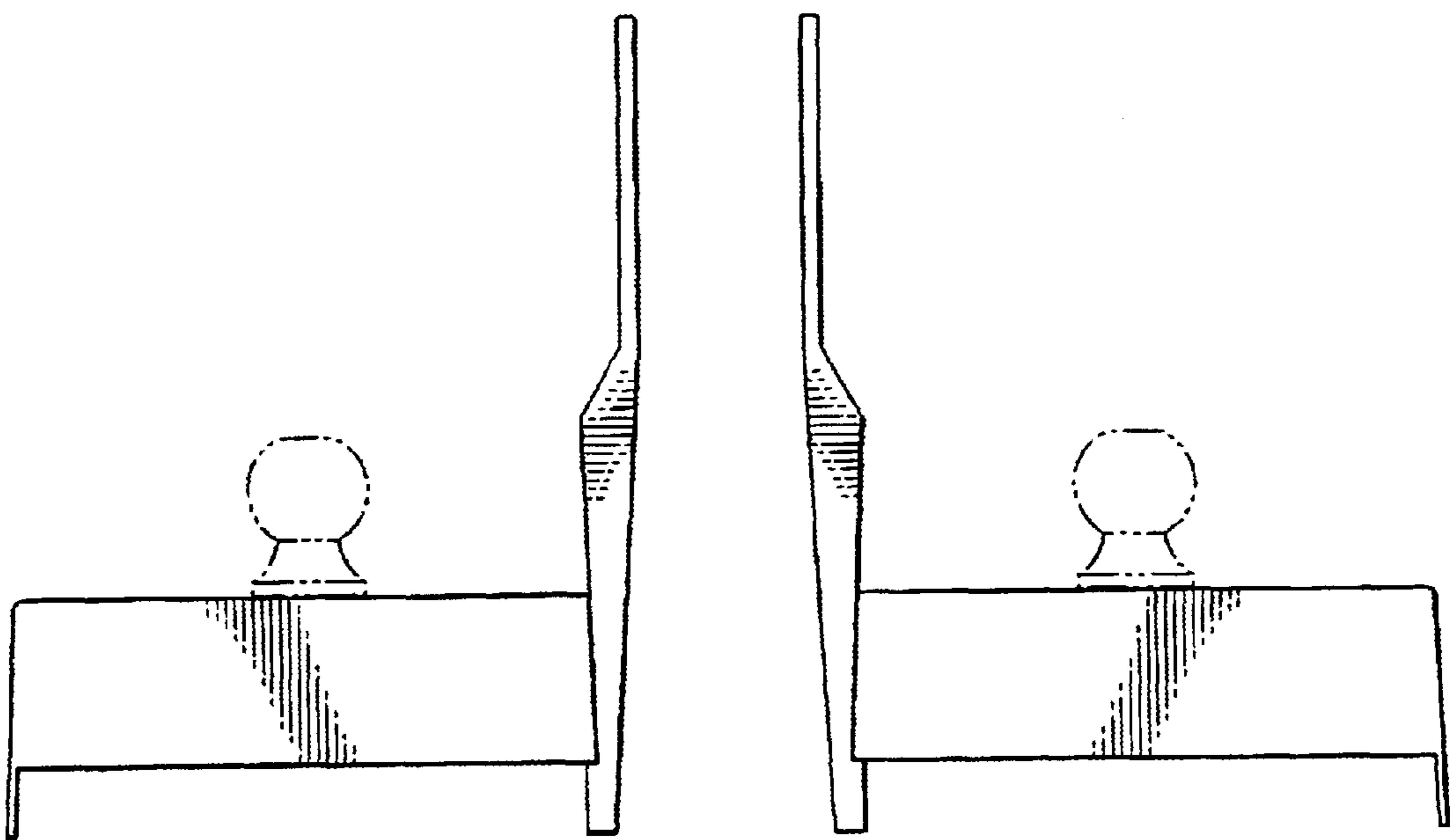
**FIG - 1**



**FIG - 2**

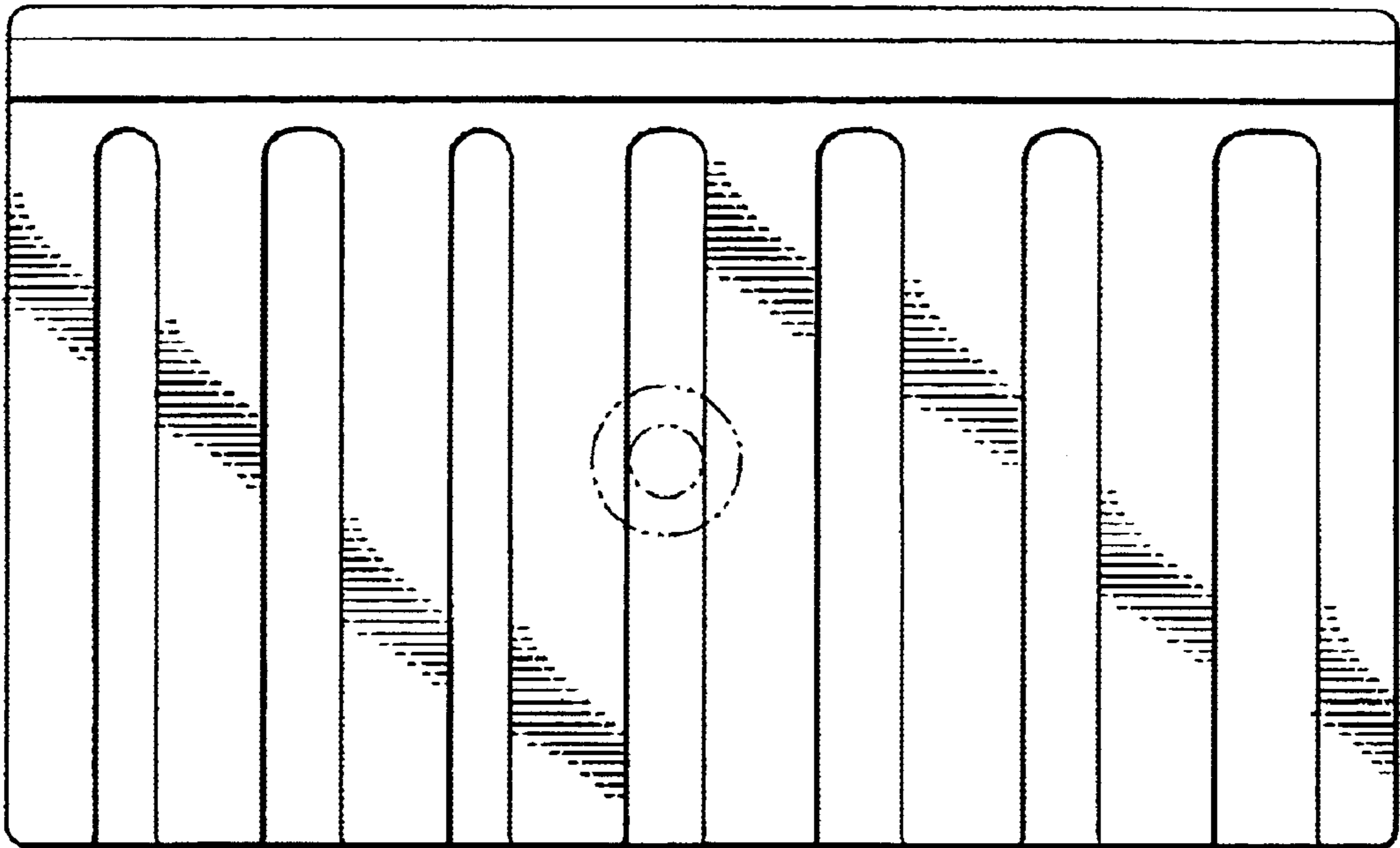


**FIG - 3**

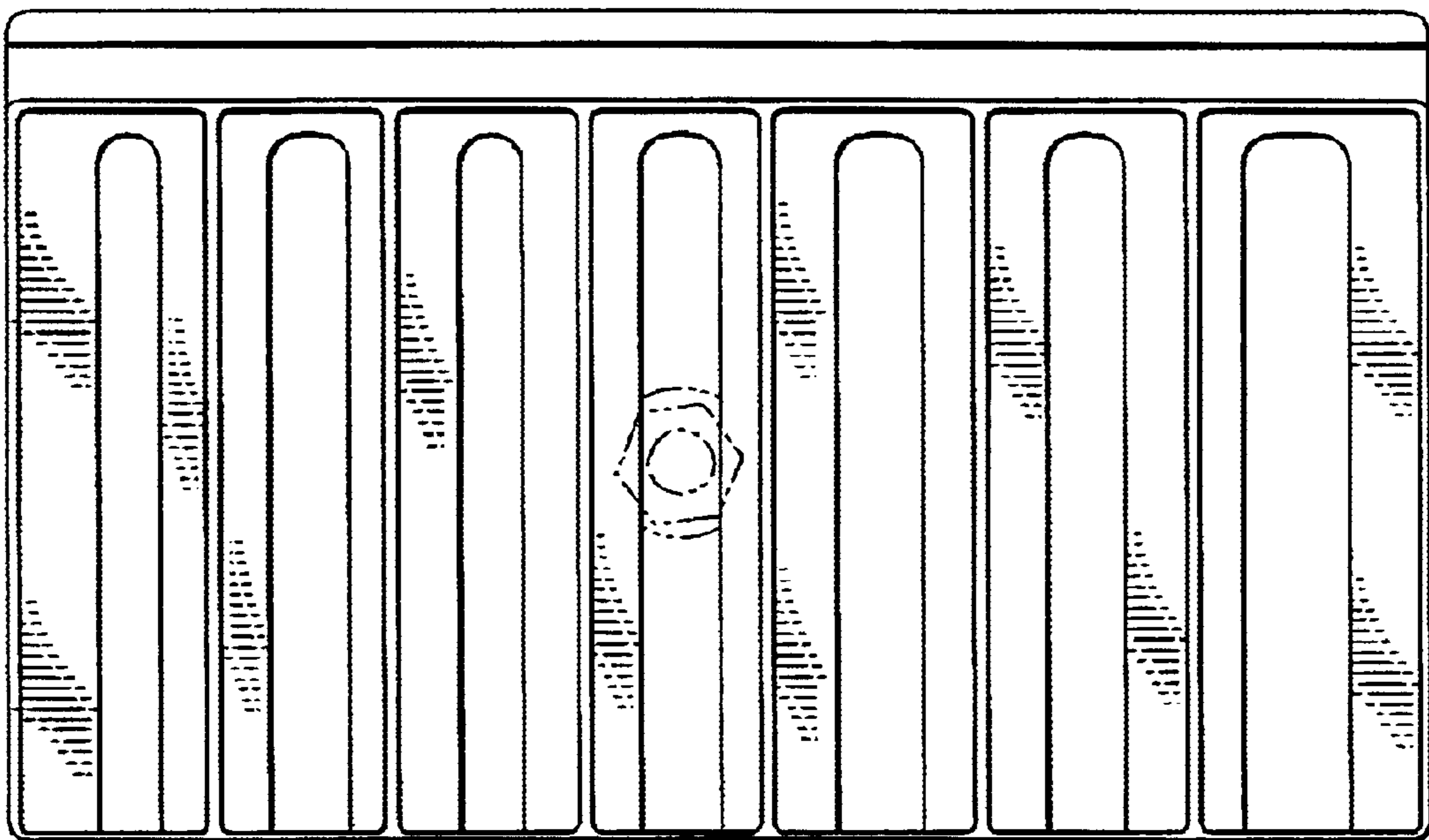


**FIG - 4**

**FIG - 5**



**FIG - 6**



**FIG - 7**