



US00D489191S

(12) **United States Design Patent**  
**Ma**

(10) **Patent No.:** **US D489,191 S**

(45) **Date of Patent:** **\*\* May 4, 2004**

(54) **ARM CHAIR**

(76) Inventor: **Chien-Shen Ma**, No. 226, Ming-Chuen Street, Nantou City (TW)

(\*\*) Term: **14 Years**

(21) Appl. No.: **29/168,173**

(22) Filed: **Sep. 27, 2002**

(51) **LOC (7) Cl.** ..... **06-01**

(52) **U.S. Cl.** ..... **D6/366**

(58) **Field of Search** ..... D6/334, 364, 365,  
D6/366, 367, 500, 501, 502; 297/411.2,  
411.27, 411.36

(56) **References Cited**

**U.S. PATENT DOCUMENTS**

D408,163 S	*	4/1999	Olson	.....	D6/366
D444,638 S	*	7/2001	Magnusson et al.	.....	D6/366
D445,613 S	*	7/2001	Ginat	.....	D6/500
D449,174 S	*	10/2001	Neil	.....	D6/366
D451,293 S	*	12/2001	Su	.....	D6/366

D453,079 S \* 1/2002 Ma ..... D6/366

D456,626 S \* 5/2002 Su ..... D6/366

D469,618 S \* 2/2003 Nagamitsu ..... D6/366

\* cited by examiner

*Primary Examiner*—Gary D. Watson

(74) *Attorney, Agent, or Firm*—Connolly Bove Lodge & Hutz

(57) **CLAIM**

The ornamental design for an arm chair, as shown and described.

**DESCRIPTION**

FIG. 1 is a perspective view of an arm chair showing my new design;

FIG. 2 is a front elevational view thereof;

FIG. 3 is a rear elevational view thereof;

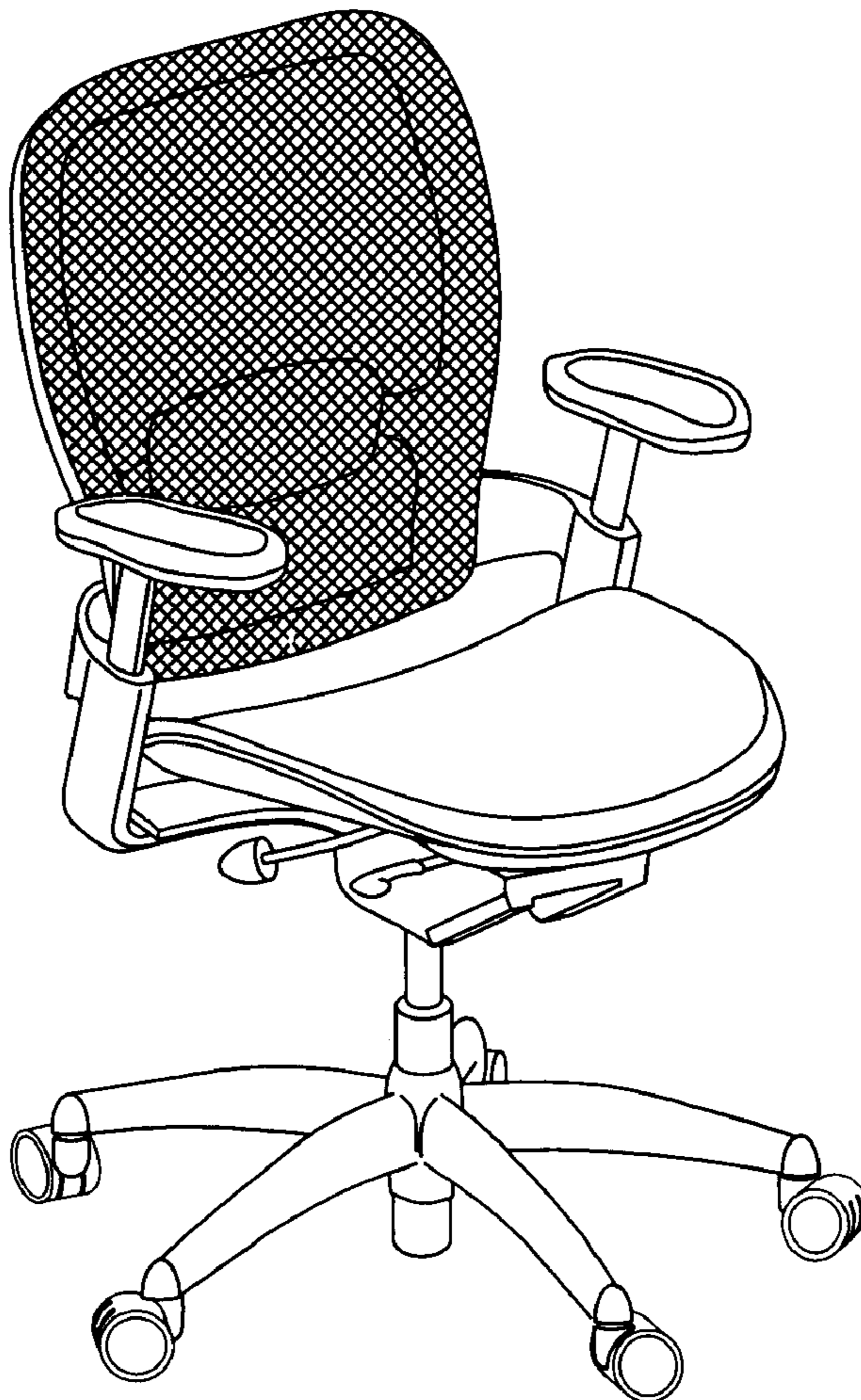
FIG. 4 is a right side elevational view thereof;

FIG. 5 is a left side elevational view thereof;

FIG. 6 is a top plan view thereof; and,

FIG. 7 is a bottom plan view thereof.

**1 Claim, 4 Drawing Sheets**



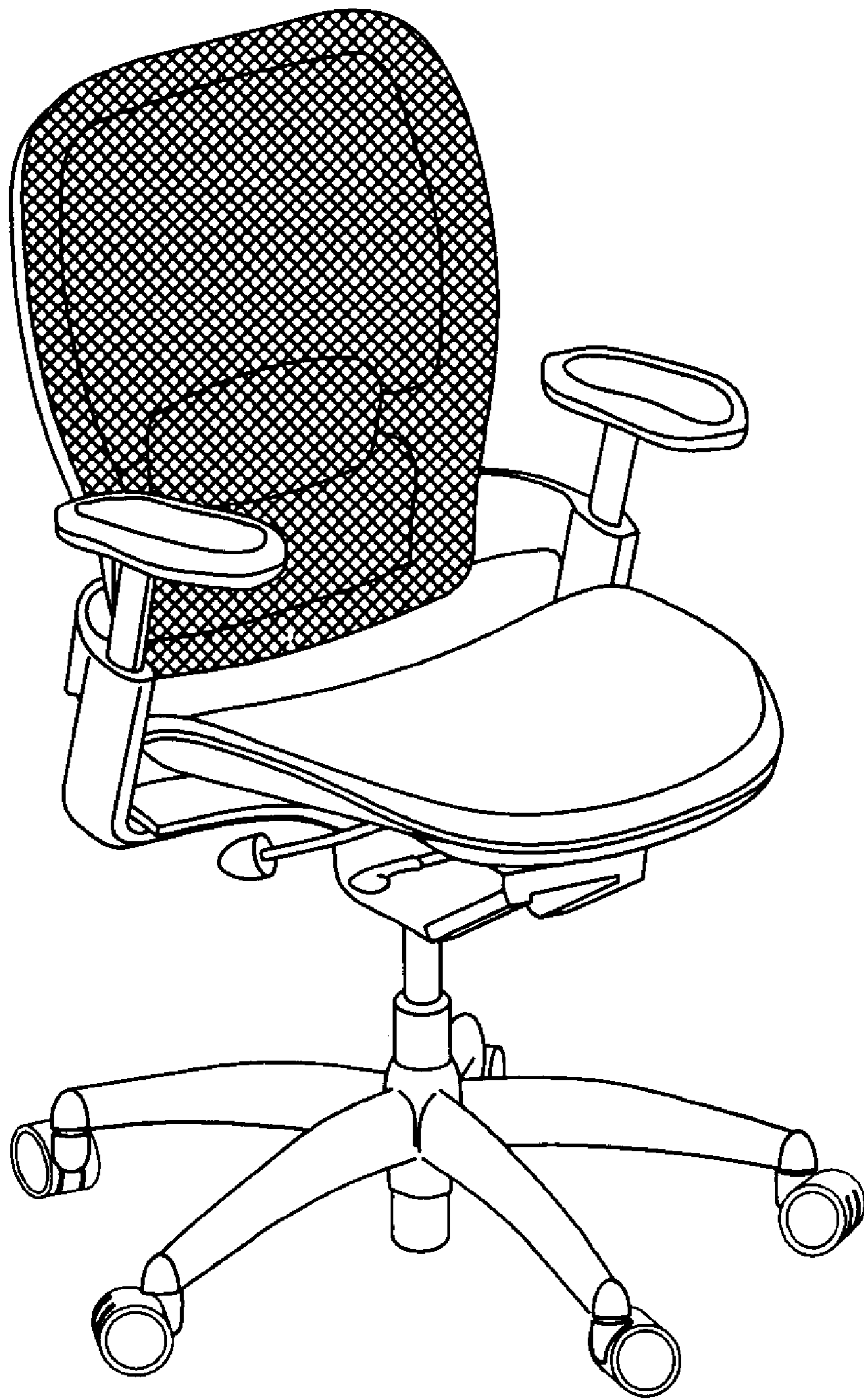


FIG. 1

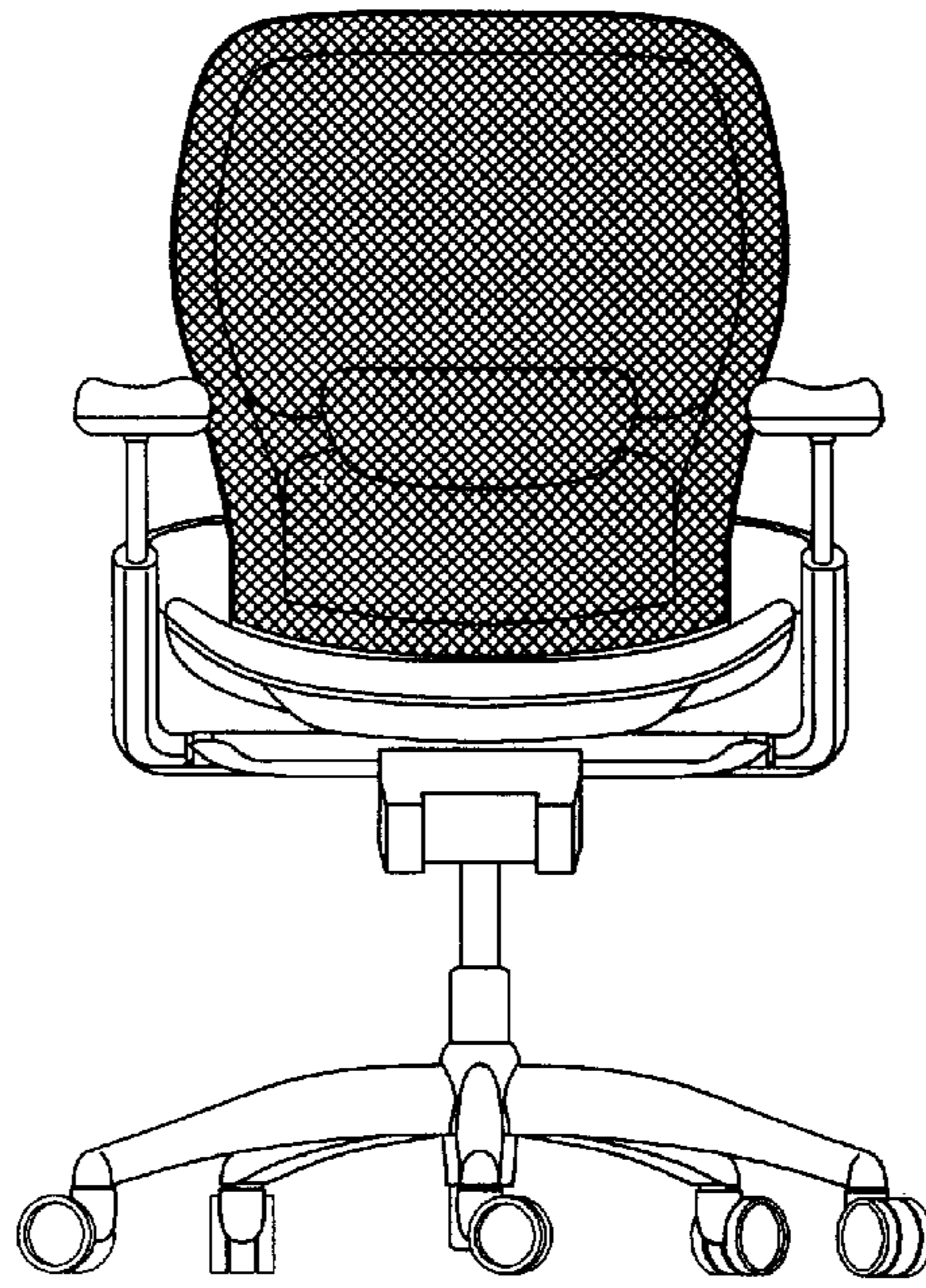


FIG. 2

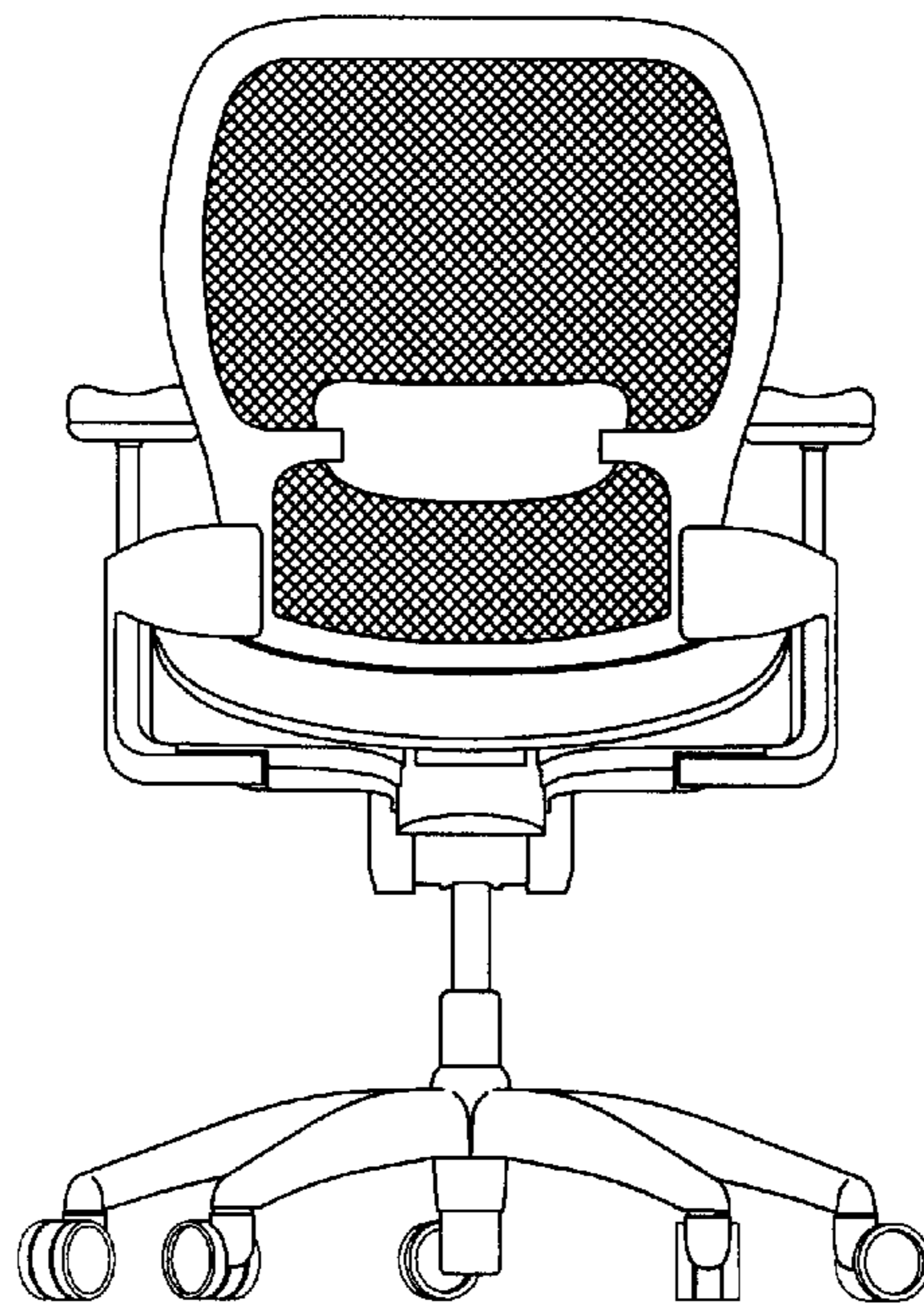


FIG. 3

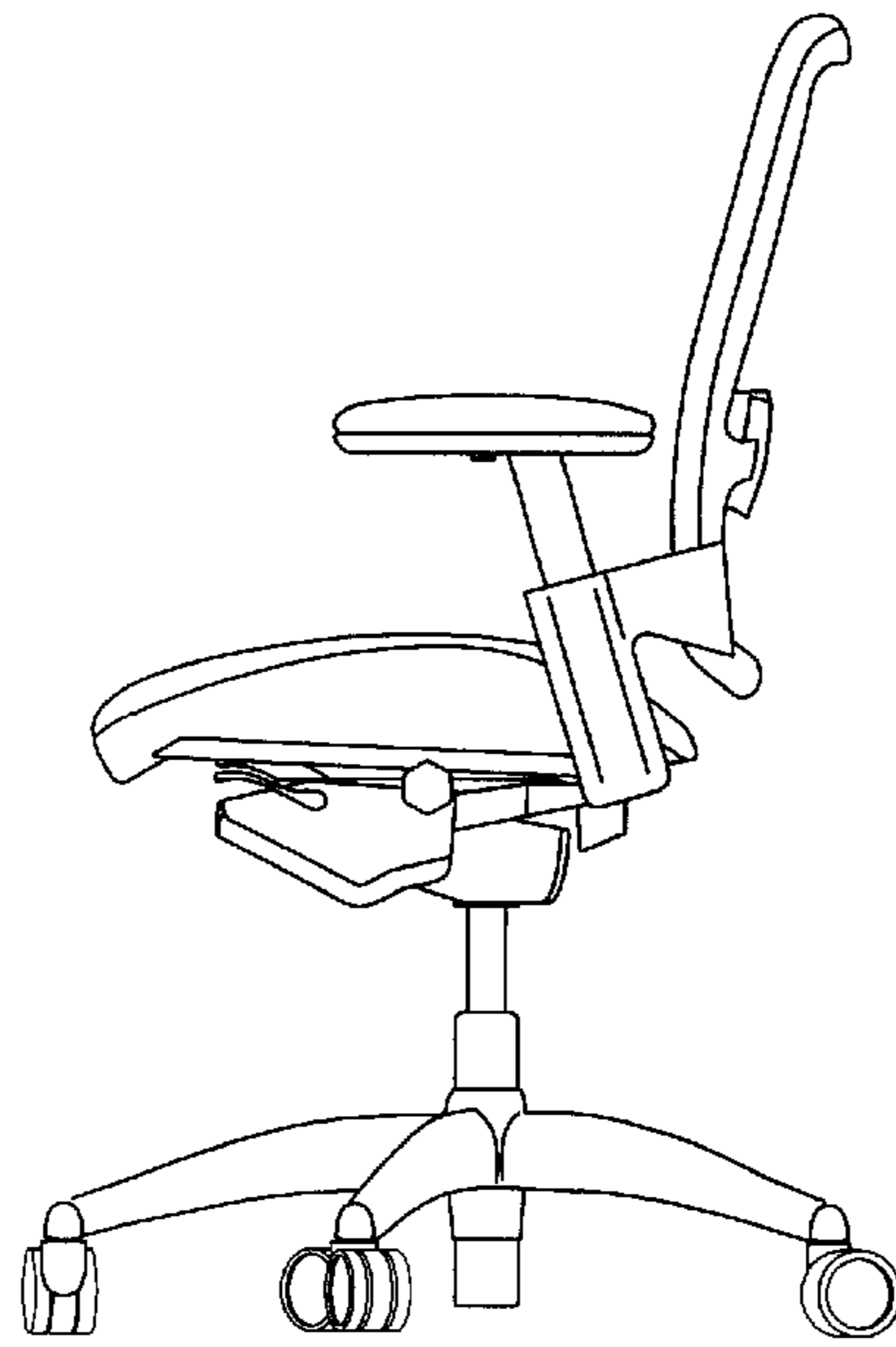


FIG. 4

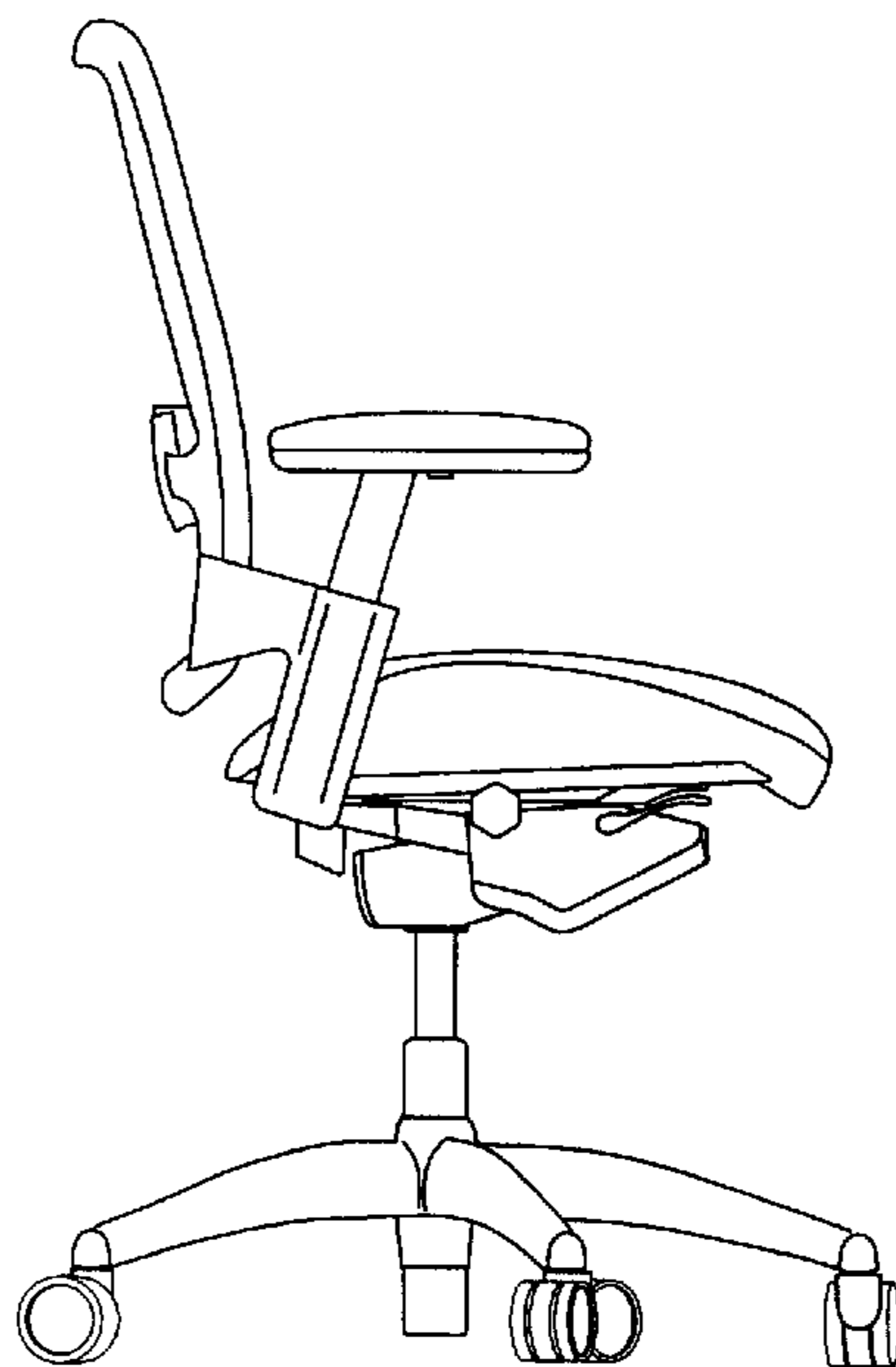


FIG. 5

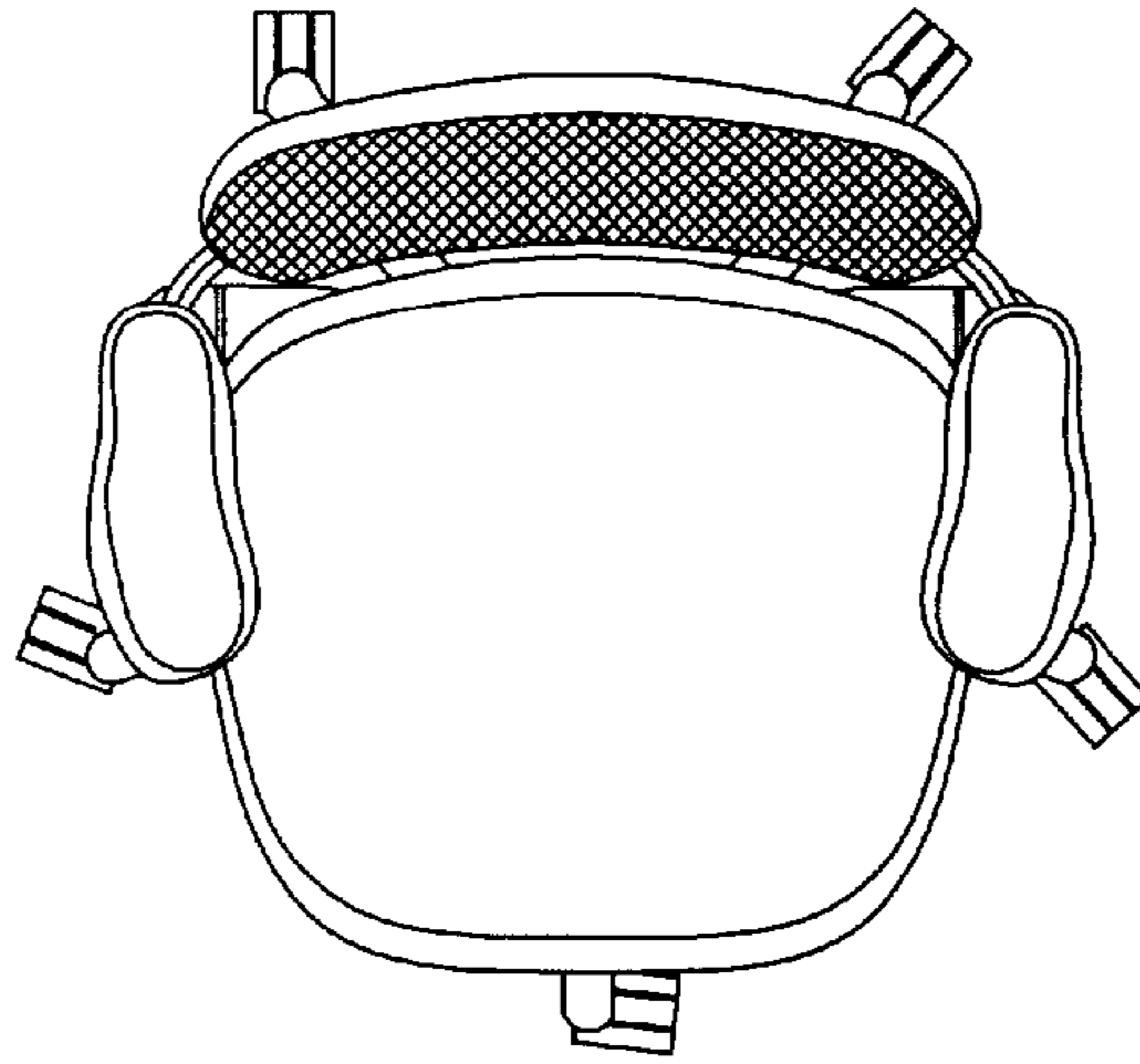


FIG. 6

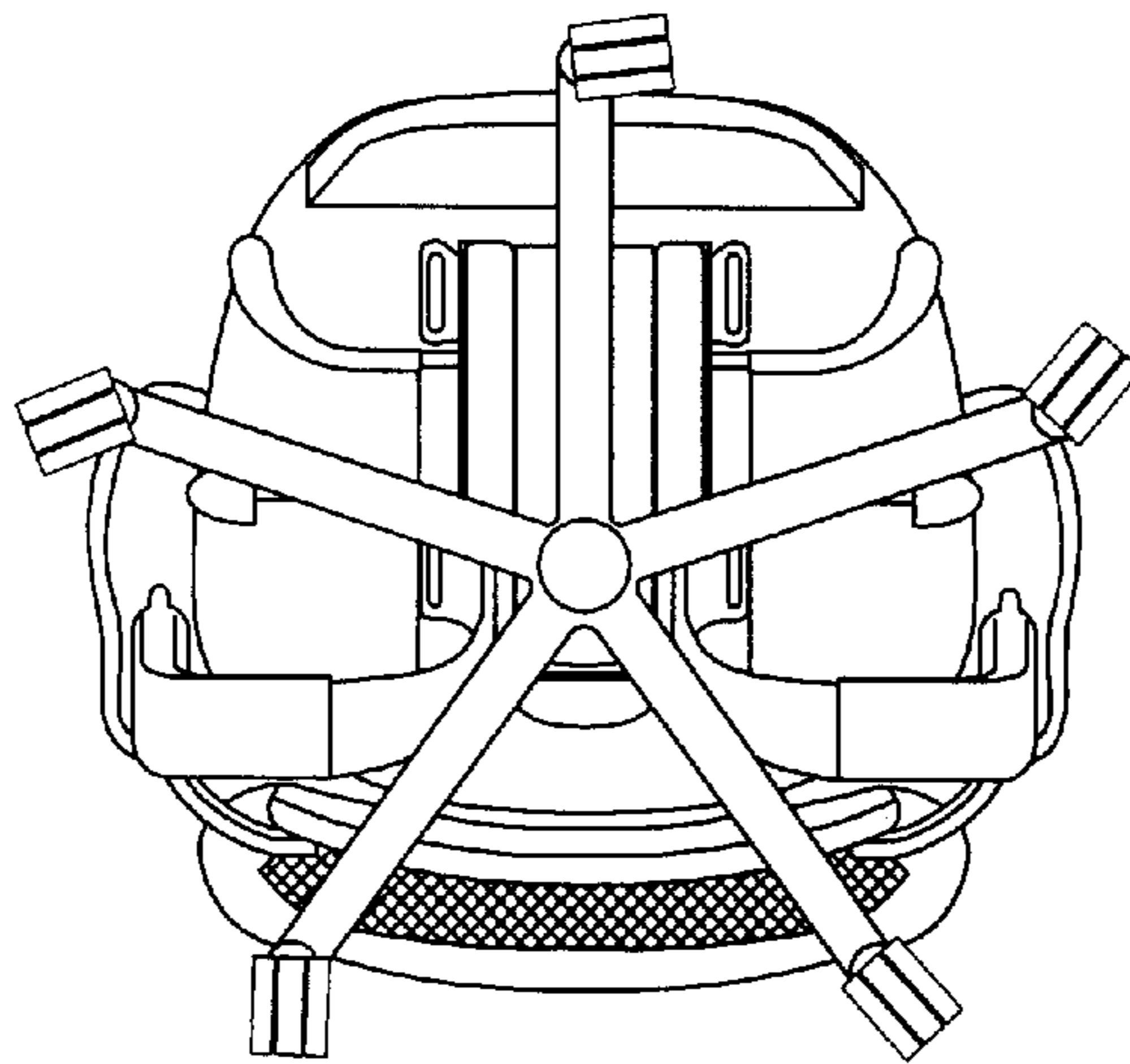


FIG. 7