



US00D489189S

(12) **United States Design Patent**
Cheng

(10) **Patent No.:** **US D489,189 S**

(45) **Date of Patent:** **** May 4, 2004**

(54) **SALOON SHAMPOO CHAIR**

D472,720 S * 4/2003 Cheng D6/335

(76) **Inventor:** **Hsien-Yang Cheng**, No. 168, Hsi-Lo
Chen, Yun-Lin Hsien (TW)

* cited by examiner

(**) **Term:** **14 Years**

Primary Examiner—Doris V. Coles
Assistant Examiner—Mimosa De
(74) *Attorney, Agent, or Firm*—Birch, Stewart, Kolasch &
Birch, LLP

(21) **Appl. No.:** **29/189,003**

(22) **Filed:** **Aug. 28, 2003**

(57) **CLAIM**

(51) **LOC (7) Cl.** **06-01**

(52) **U.S. Cl.** **D6/335**

The ornamental design for “saloon shampoo chair”, as
shown and described.

(58) **Field of Search** D6/334–336, 360–361,
D6/367, 500–502; D28/56, 61; 4/517–518,
523; 297/182, 188.01, 188.09, 310

DESCRIPTION

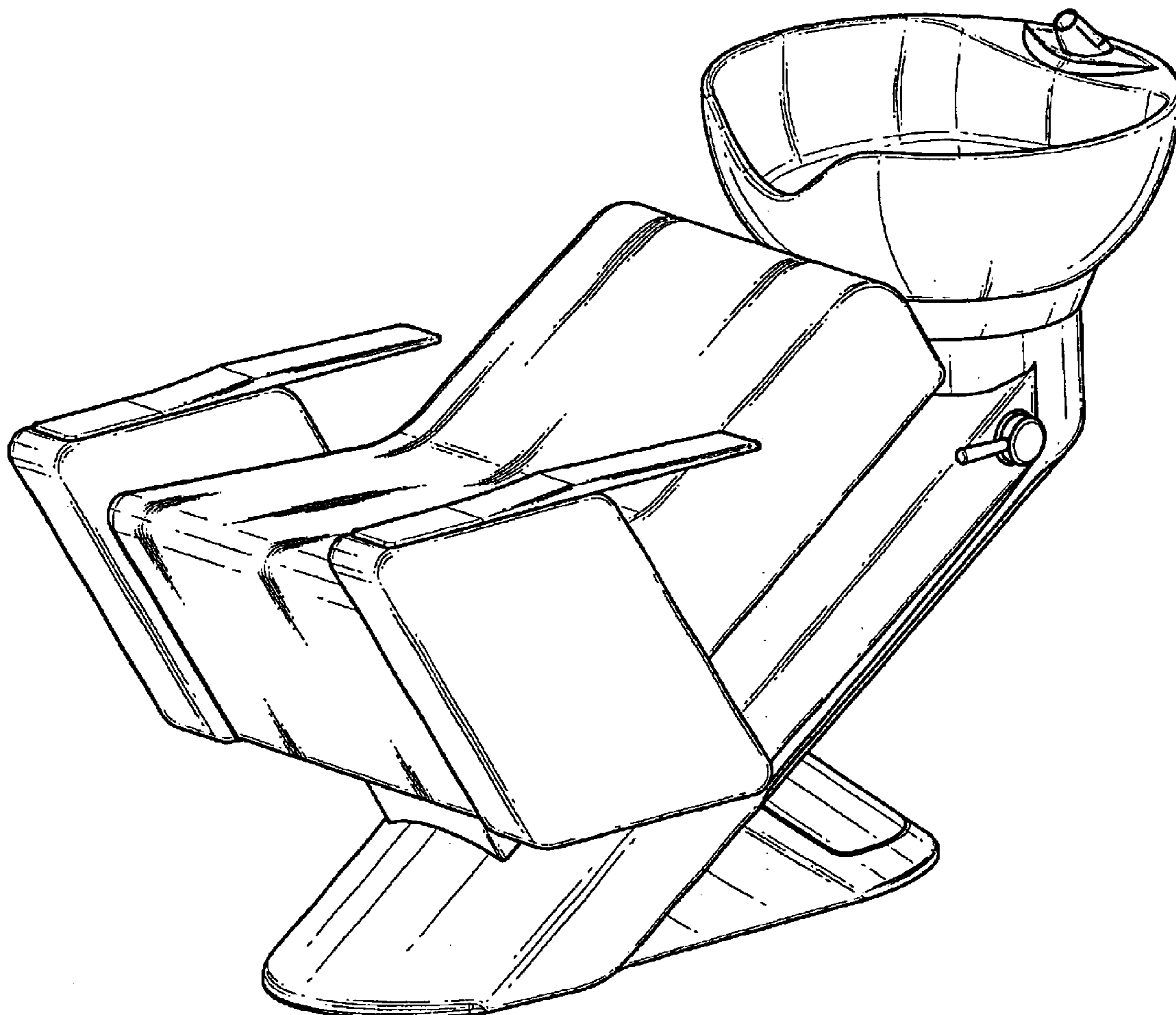
(56) **References Cited**

U.S. PATENT DOCUMENTS

2,332,904	A	*	10/1943	Ellinger	4/517
4,167,048	A	*	9/1979	Williams	4/517
6,115,856	A	*	9/2000	Najar	4/523
6,463,597	B2	*	10/2002	Ishimura	4/517
6,517,162	B2	*	2/2003	Cheng	297/182

FIG. 1 is a perspective view of “saloon shampoo chair”
showing our new design thereof;
FIG. 2 is a rear elevational view thereof;
FIG. 3 is a top plan view thereof;
FIG. 4 is a left side elevational view thereof;
FIG. 5 is a bottom plan view thereof;
FIG. 6 is a front elevational view thereof; and,
FIG. 7 is a right side elevational view thereof.

1 Claim, 7 Drawing Sheets



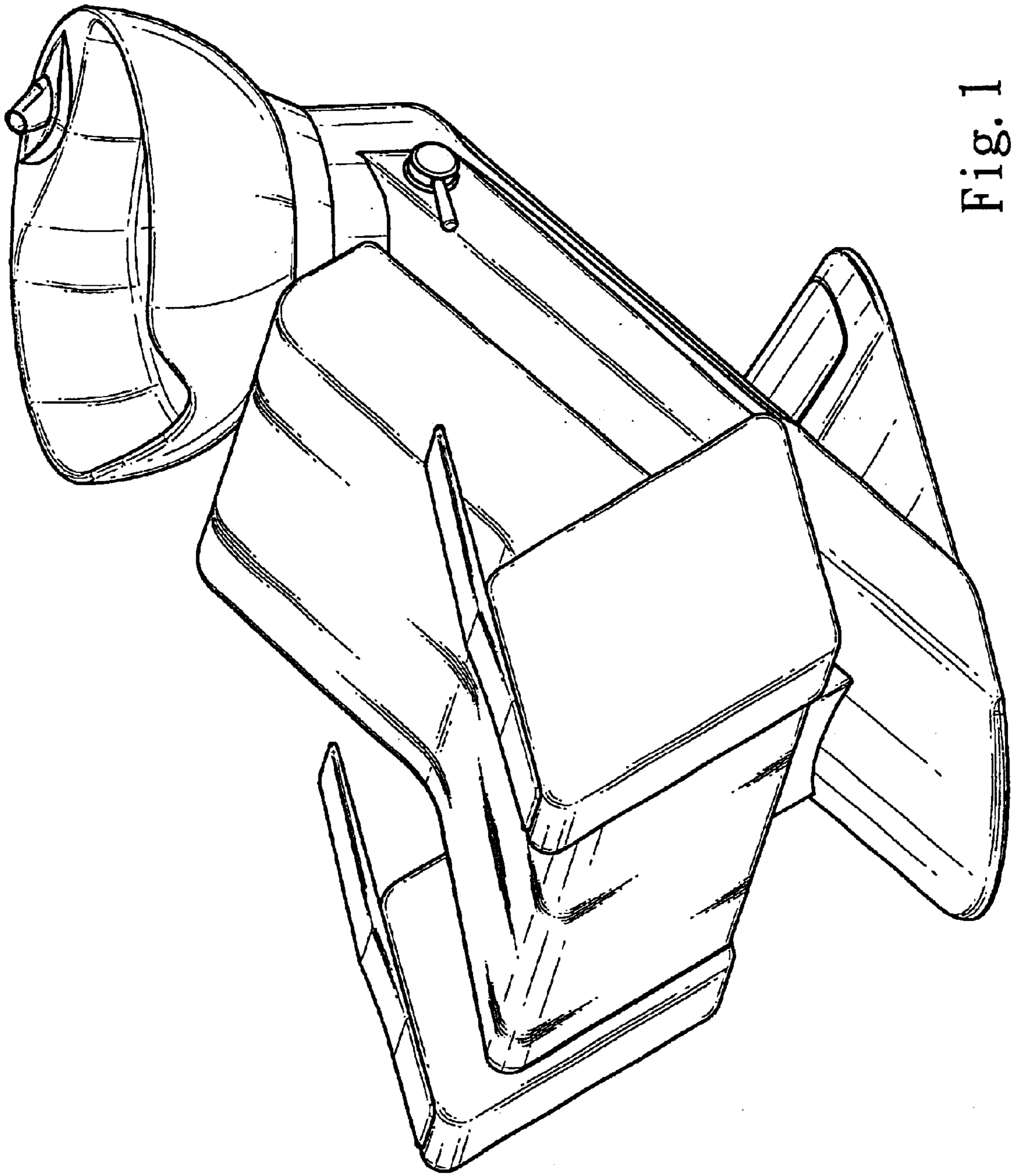


Fig. 1

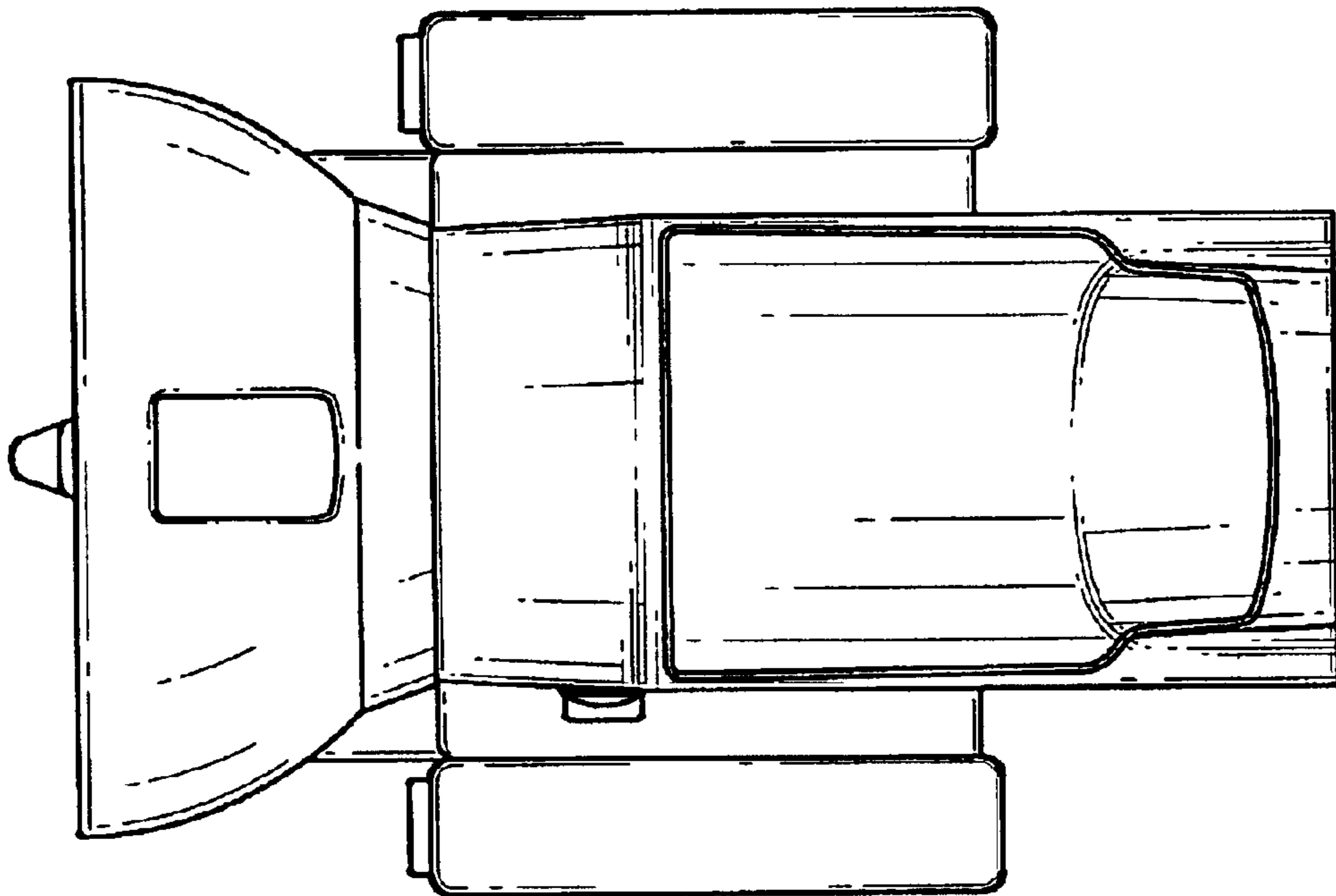


Fig. 2

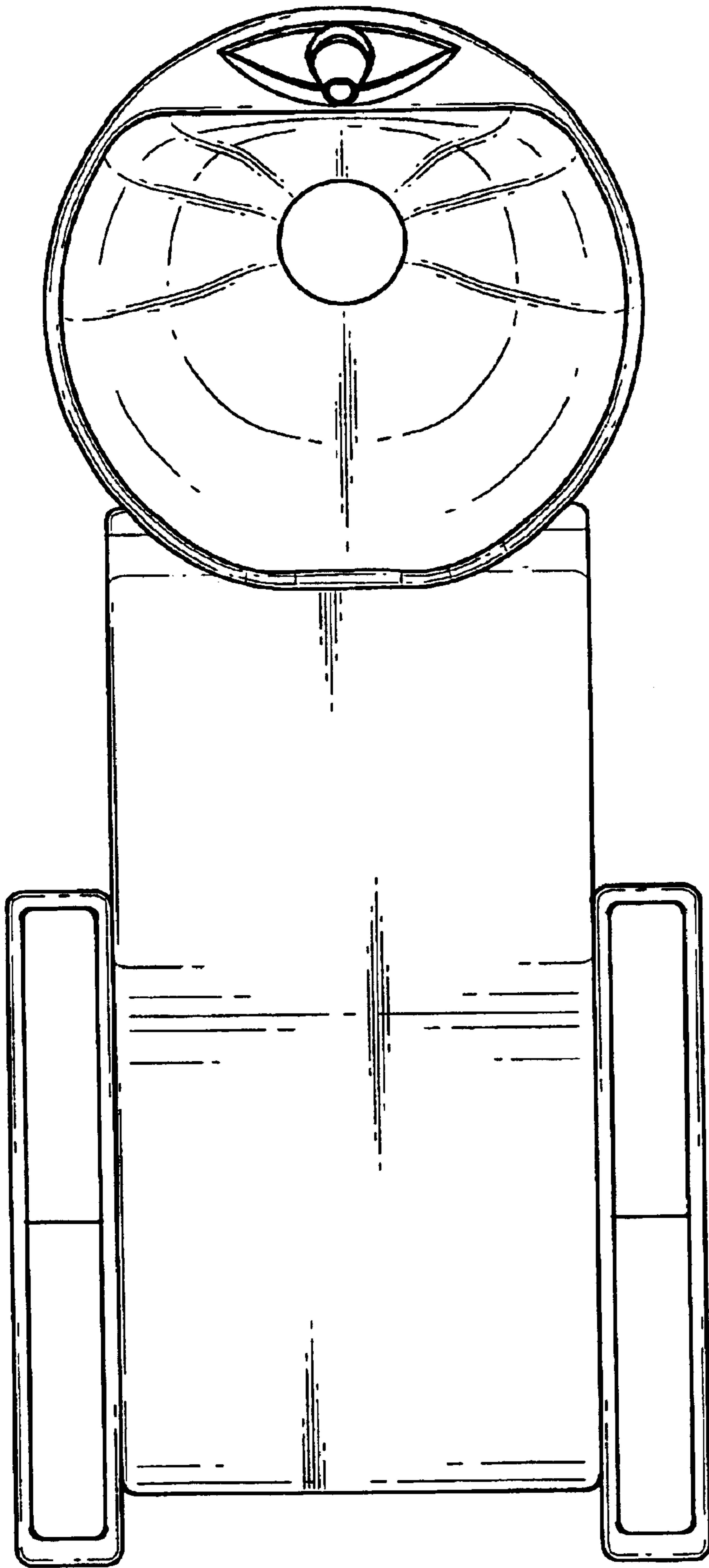


Fig. 3

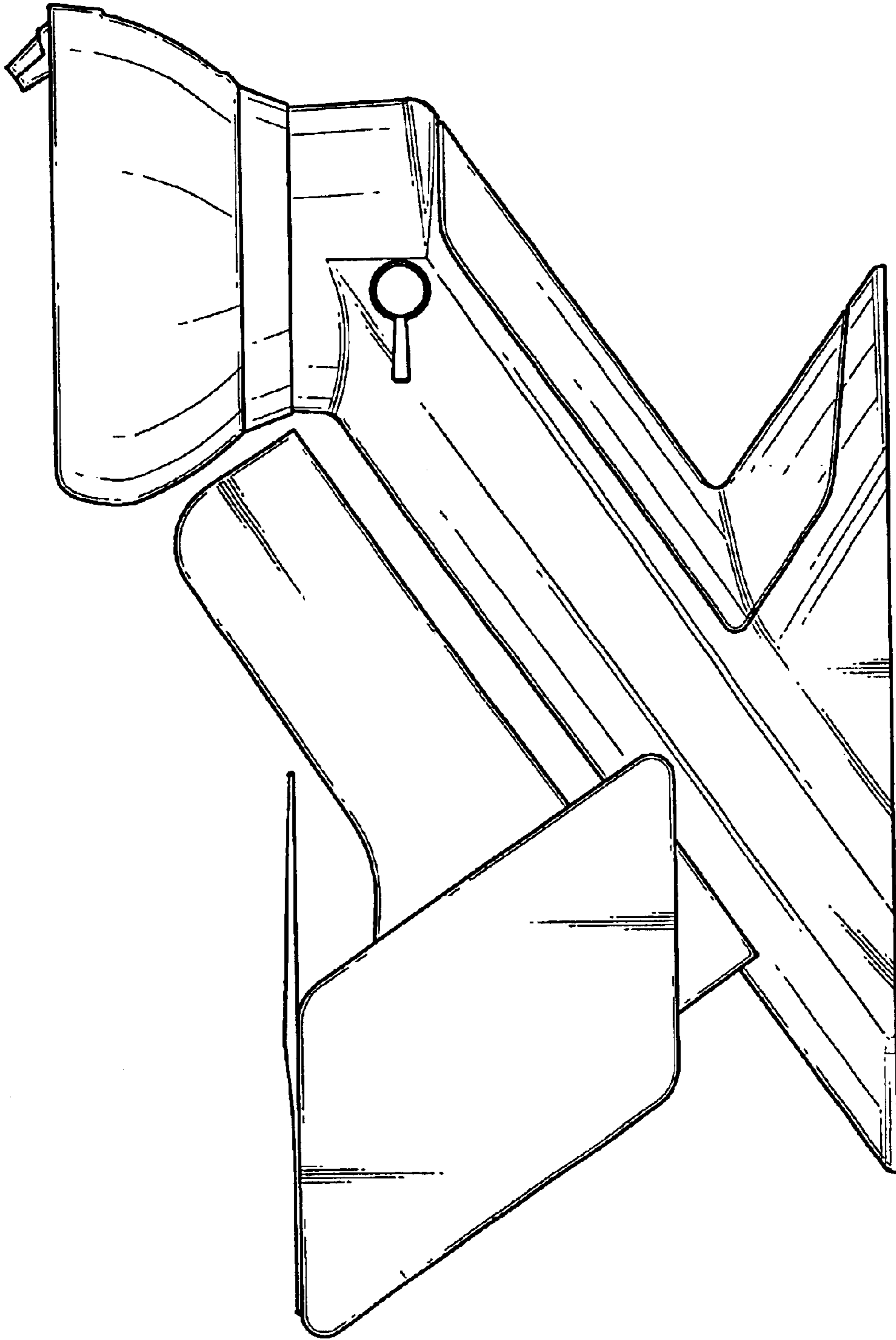


Fig. 4

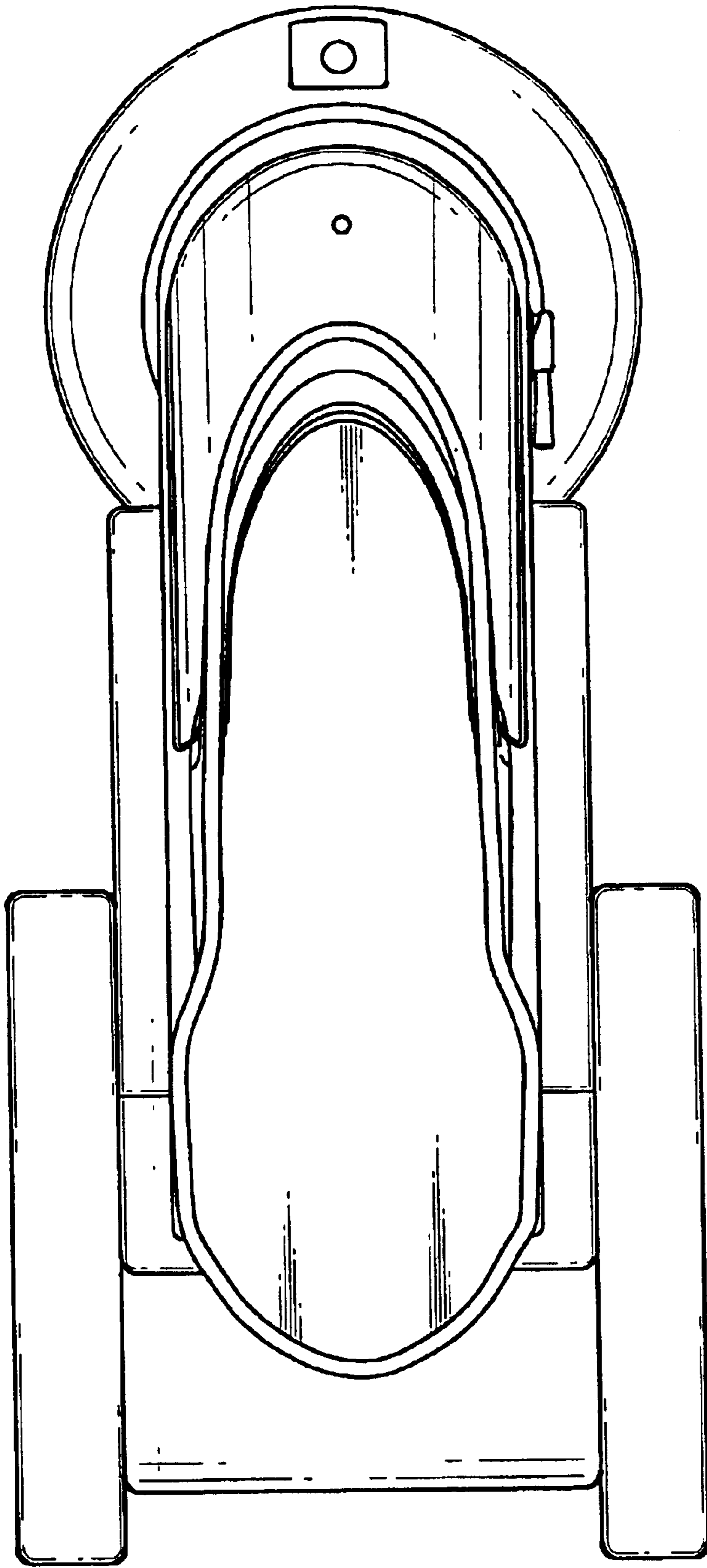


Fig. 5

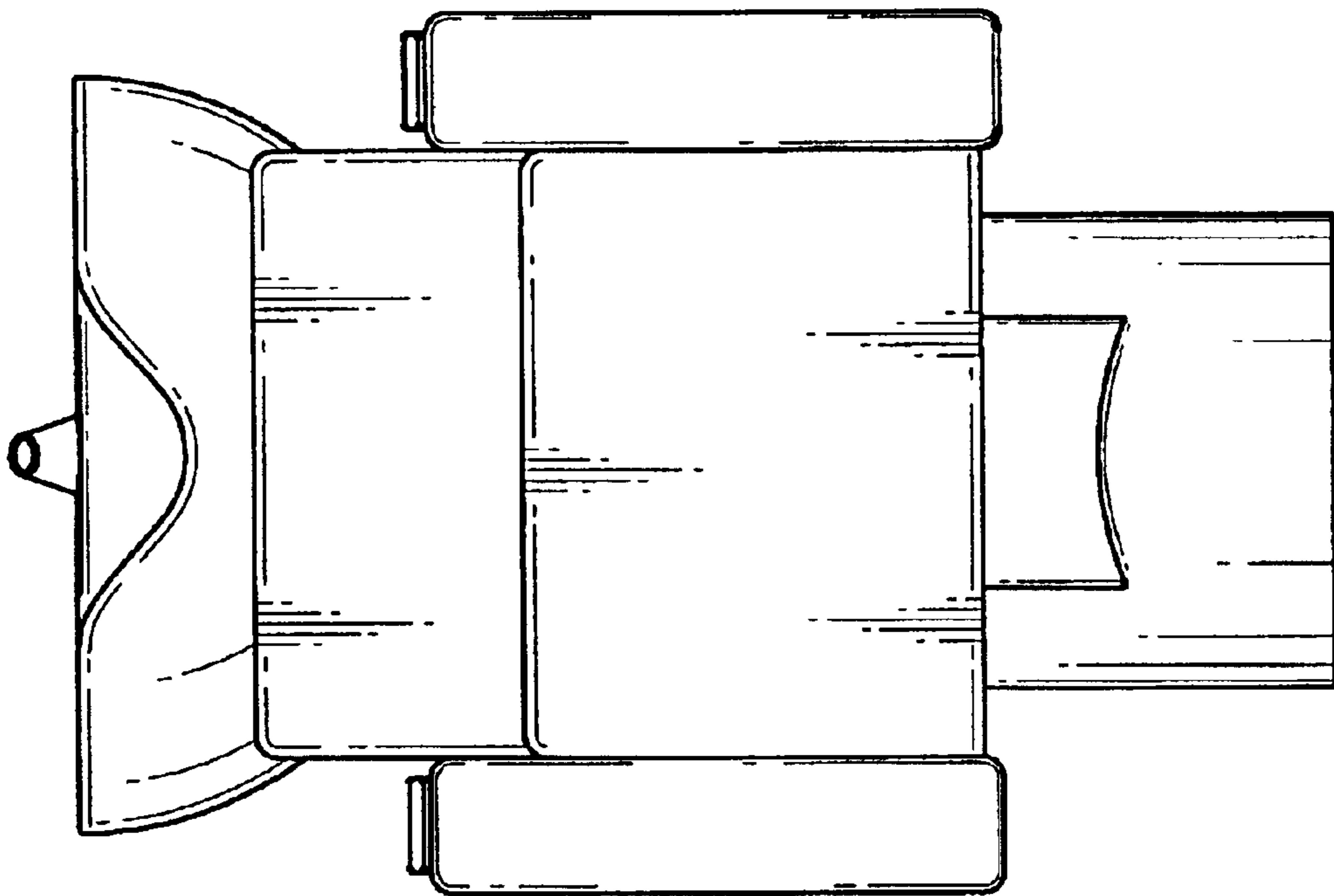


Fig. 6

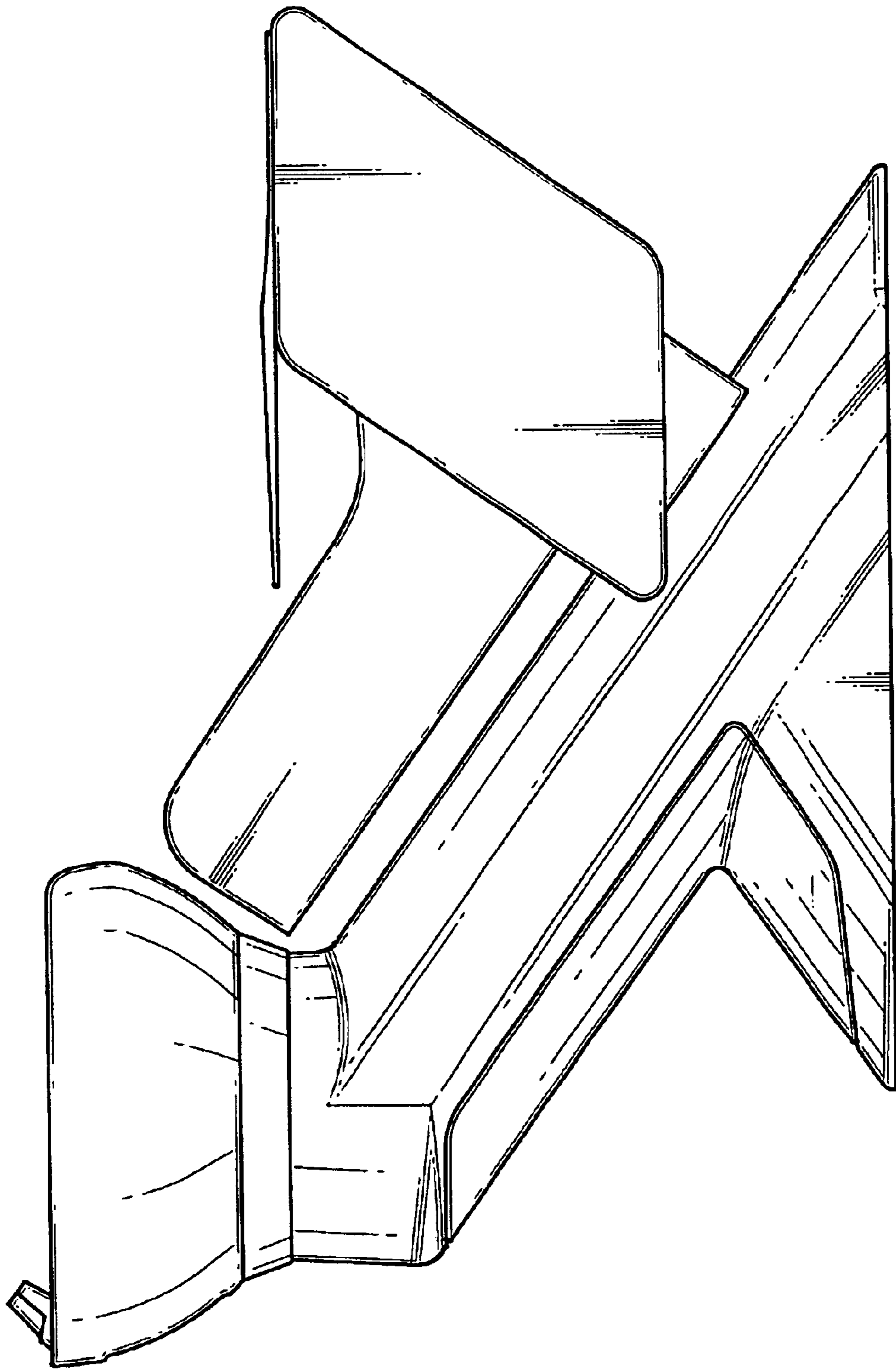


Fig. 7