



US00D489176S

(12) **United States Design Patent**
Bazen

(10) **Patent No.:** **US D489,176 S**

(45) **Date of Patent:** **** May 4, 2004**

(54) **FISHING ROD AND REEL CARRIER**

(76) **Inventor:** **Charles E. Bazen**, 344 Salem Glen Way, SE., Conyers, GA (US) 30013

(**) **Term:** **14 Years**

(21) **Appl. No.:** **29/179,246**

(22) **Filed:** **Apr. 8, 2003**

(51) **LOC (7) Cl.** **03-01**

(52) **U.S. Cl.** **D3/260**

(58) **Field of Search** D3/254, 260, 287,
D3/904, 905, 289; 43/26, 25.2; 206/315.11;
224/922

(56) **References Cited**

U.S. PATENT DOCUMENTS

D266,632 S	*	10/1982	Schroeder	D3/260
D294,883 S	*	3/1988	McMillin	D3/260
5,277,306 A	*	1/1994	Sargent	206/315.11
D382,398 S		8/1997	Bazen	D3/260
D394,951 S		6/1998	Bazen	D3/260

D395,360 S	*	6/1998	Schrader, Jr.	D3/260
D411,660 S	*	6/1999	Antuna	D3/260
D451,670 S	*	12/2001	Knorr et al.	D3/260
6,343,728 B1	*	2/2002	Carbone	224/607

* cited by examiner

Primary Examiner—Philip S. Hyder

(74) *Attorney, Agent, or Firm*—Rodgers & Rodgers

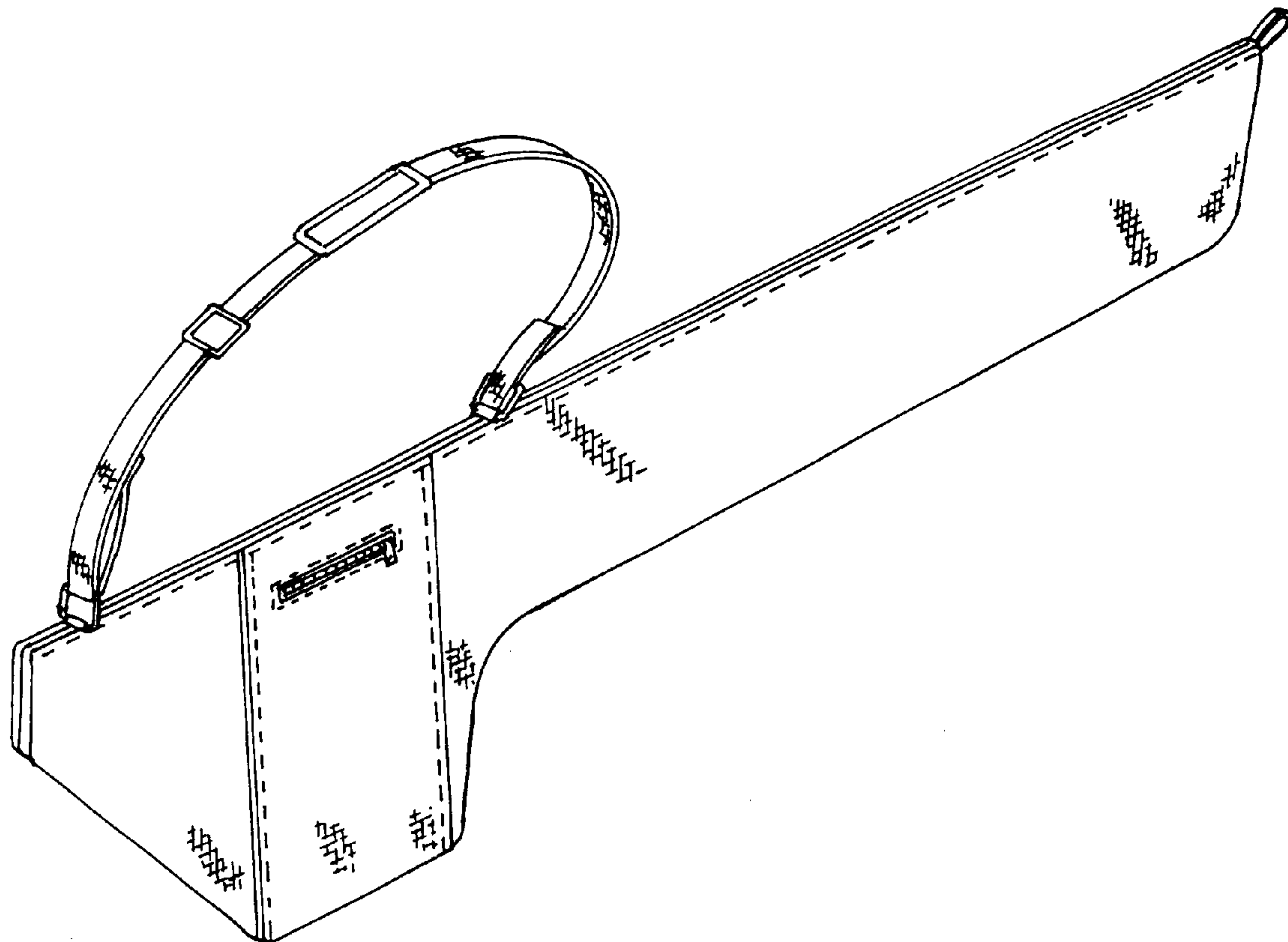
(57) **CLAIM**

The ornamental design for a fishing rod and reel carrier, as shown.

DESCRIPTION

FIG. 1 is a perspective view of a fishing rod and reel carrier showing my new design;
FIG. 2 is a front elevational view thereof;
FIG. 3 is a rear elevational view thereof;
FIG. 4 is a top plan view thereof;
FIG. 5 is a bottom plan view thereof;
FIG. 6 is a left side elevational view thereof; and,
FIG. 7 is a right side elevational view thereof.

1 Claim, 2 Drawing Sheets



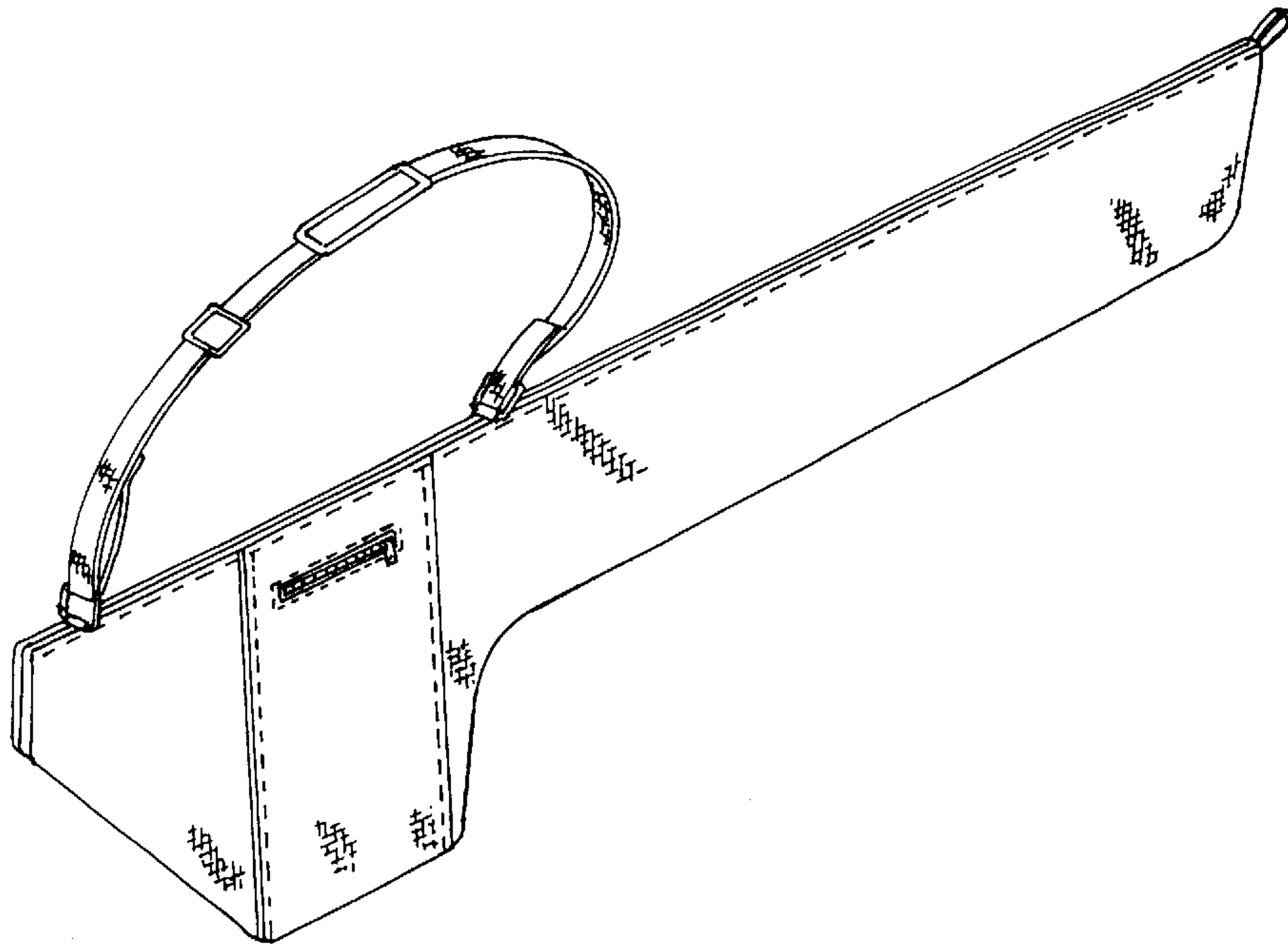


FIG. 1

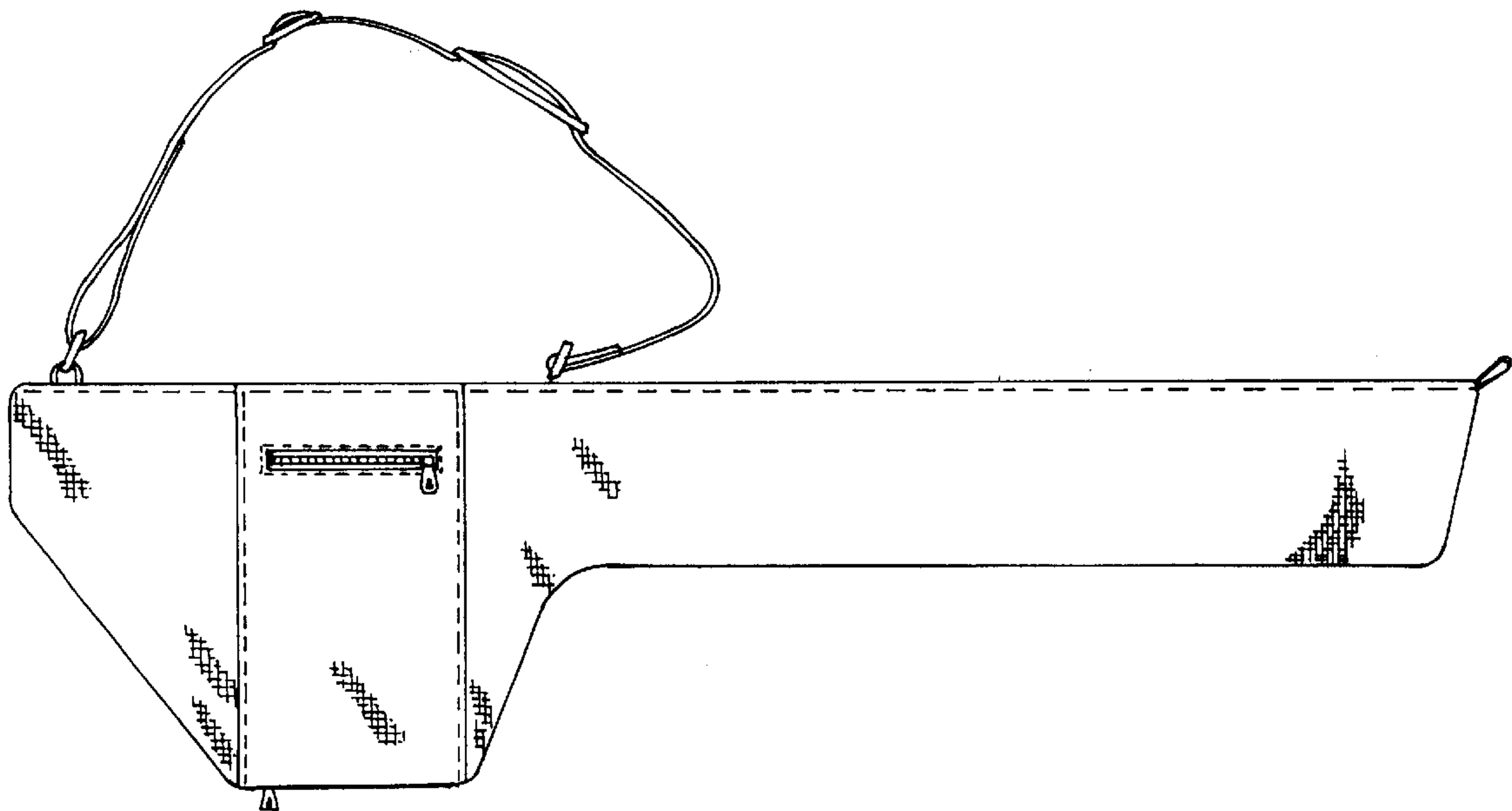


FIG. 2

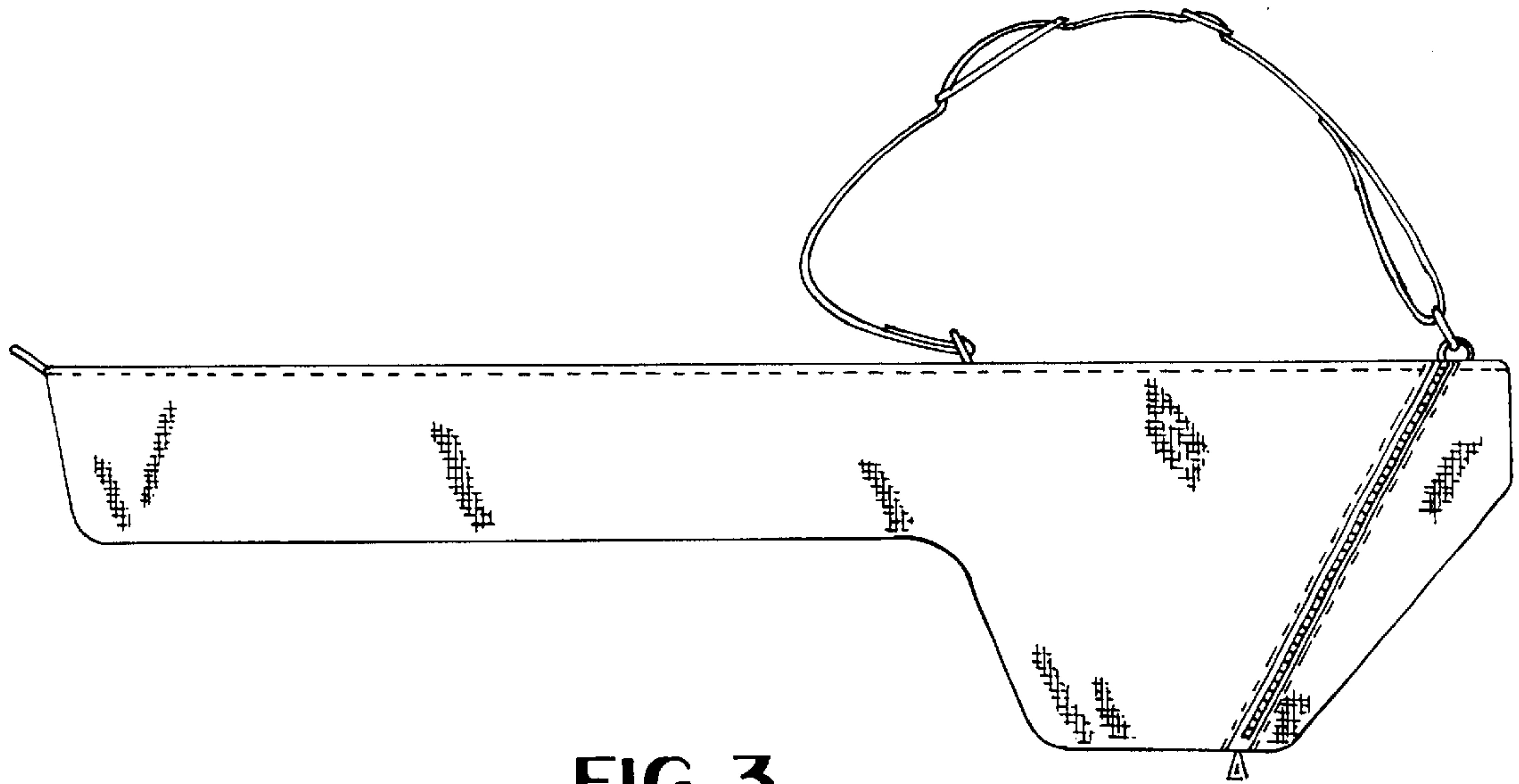


FIG. 3

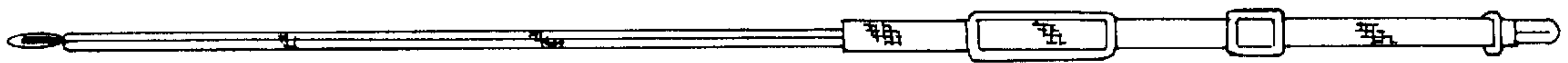


FIG. 4

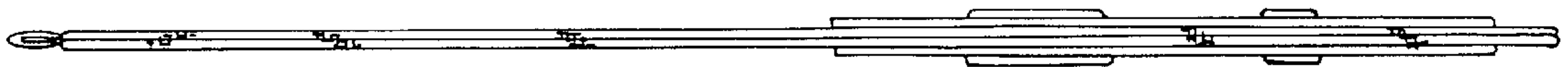


FIG. 5



FIG. 6



FIG. 7