



US00D489169S

(12) **United States Design Patent**
You

(10) **Patent No.:** **US D489,169 S**

(45) **Date of Patent:** **** May 4, 2004**

(54) **STRETCHER STRUCTURE USED IN
MULTIPLE COLLAPSIBLE UMBRELLA**

6,497,242 B1 * 12/2002 Lin et al. 135/31
6,588,439 B2 * 7/2003 Wu 135/27

(76) **Inventor:** **Ching-Chuan You**, C/O Percy
International Patent Corp. P.O. Box
1-79, Taipei (TW)

* cited by examiner

Primary Examiner—Louis S. Zarfes
Assistant Examiner—Robert A Delehanty

(**) **Term:** **14 Years**

(57) **CLAIM**

(21) **Appl. No.:** **29/173,432**

The ornamental design for a stretcher structure used in multiple collapsible umbrella, as shown.

(22) **Filed:** **Dec. 16, 2002**

DESCRIPTION

(51) **LOC (7) Cl.** **03-03**

(52) **U.S. Cl.** **D3/10**

(58) **Field of Search** D3/5-6, 10; 135/98,
135/15.1, 19.5, 23, 25.1, 25.3, 25.32, 25.33,
26, 29-32, 38-39

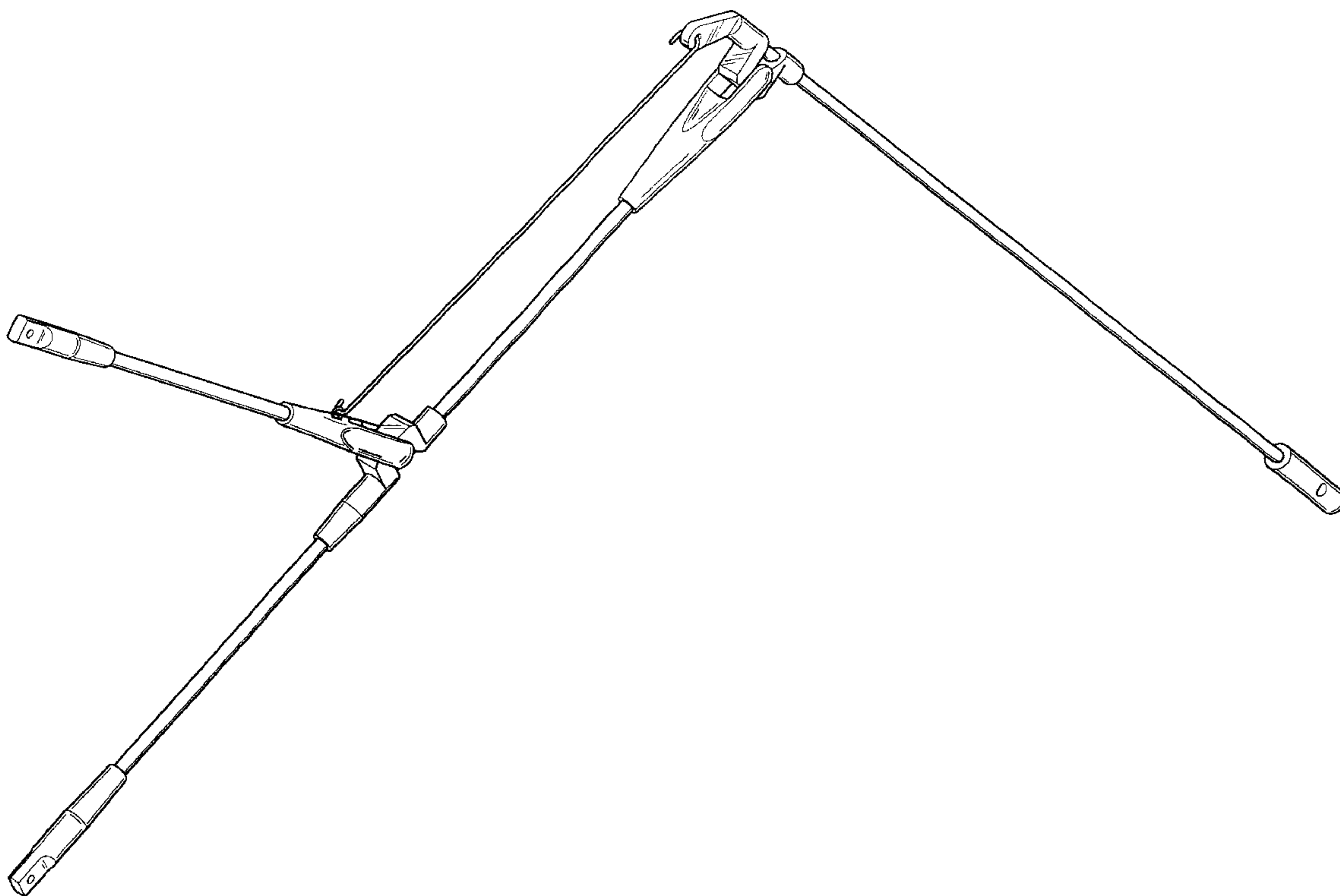
FIG. 1 is a perspective view of the stretcher structure used in multiple collapsible umbrella of this invention;
FIG. 2 is a front view thereof;
FIG. 3 is a rear view thereof;
FIG. 4 is a left view thereof;
FIG. 5 is a right view thereof;
FIG. 6 is a top view thereof; and,
FIG. 7 is a bottom view thereof.

(56) **References Cited**

U.S. PATENT DOCUMENTS

6,164,303 A * 12/2000 Lin et al. 135/29
6,296,001 B1 * 10/2001 Lin et al. 135/31

1 Claim, 5 Drawing Sheets



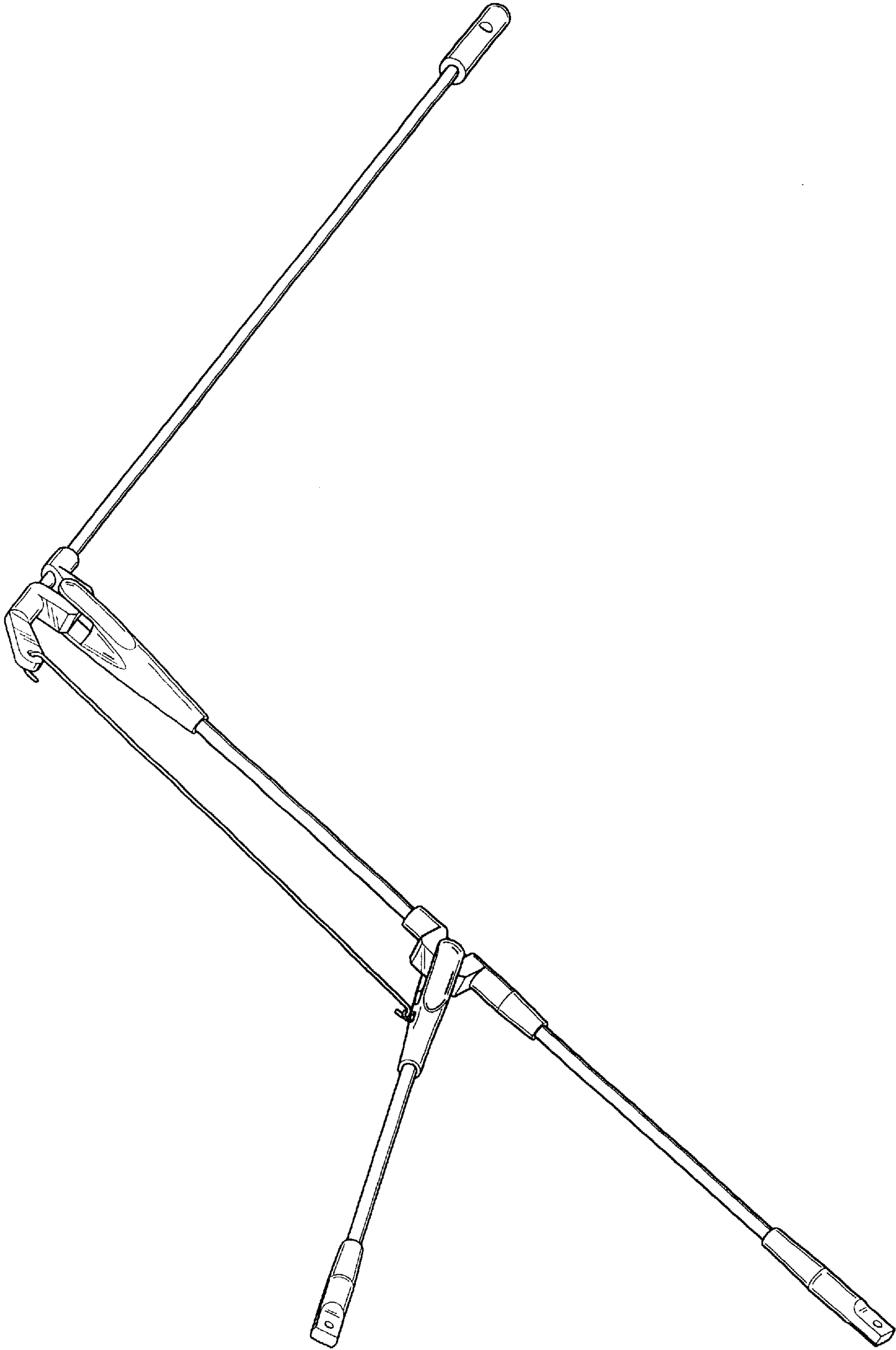


FIG. 1

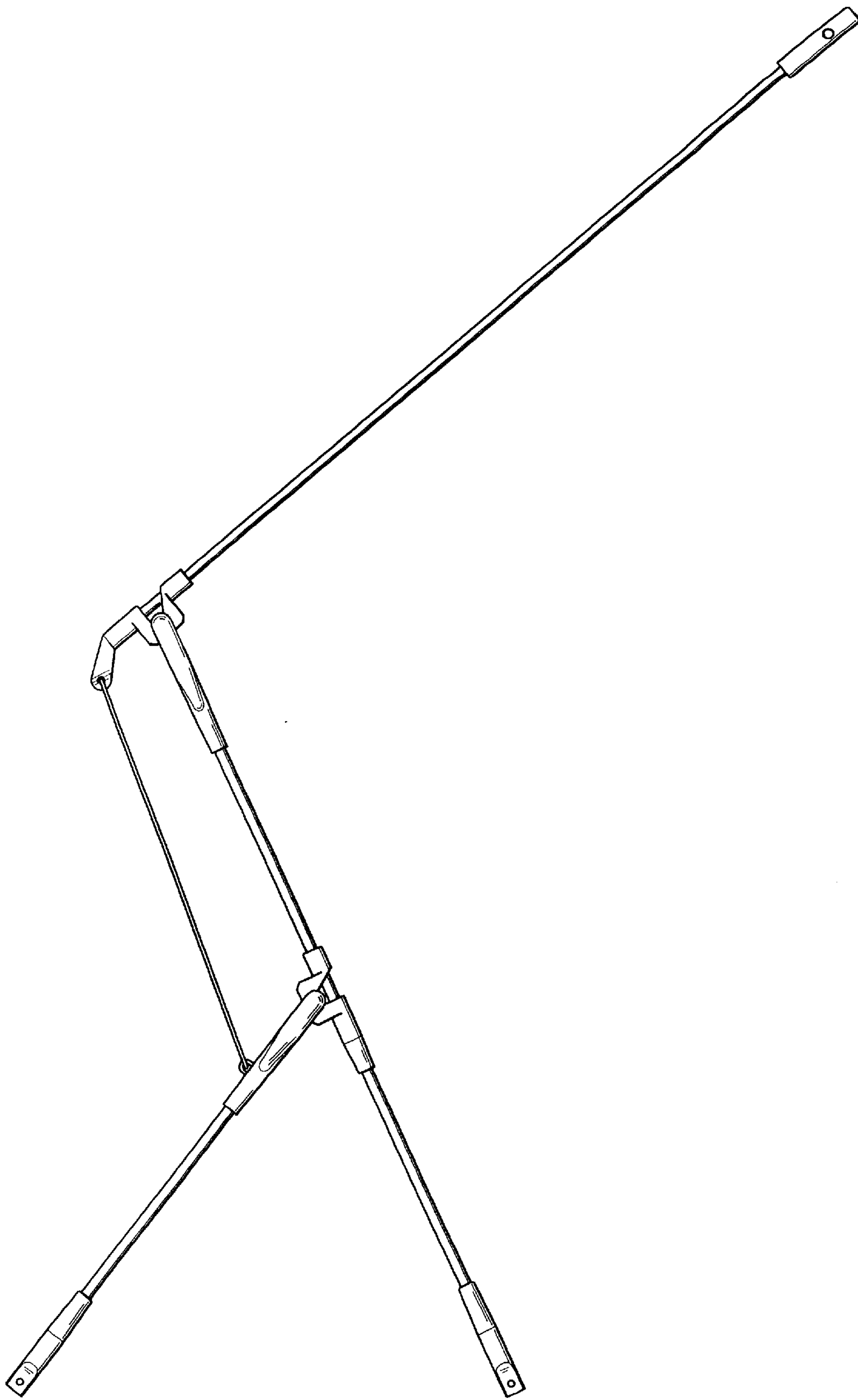


FIG. 2

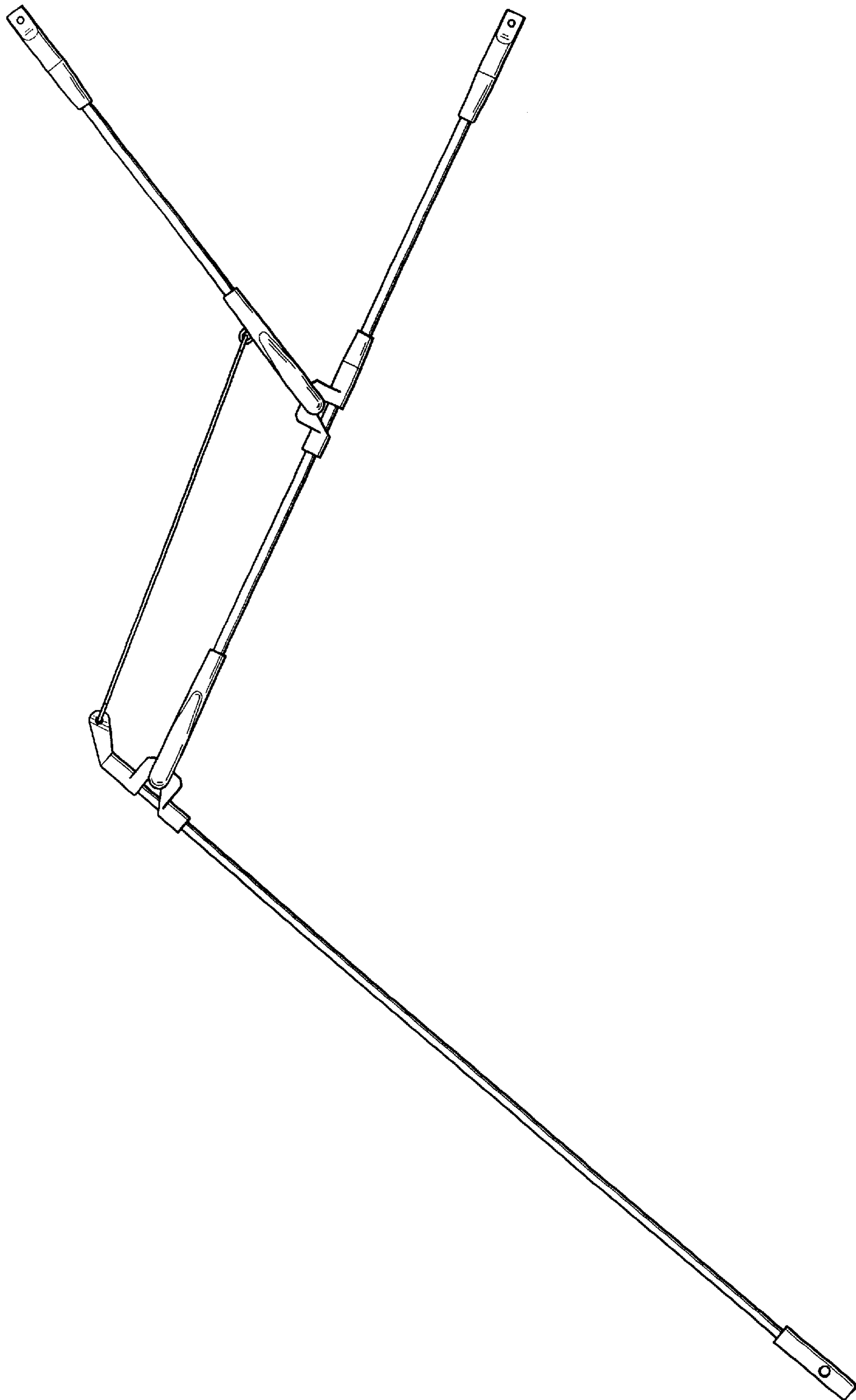


FIG. 3

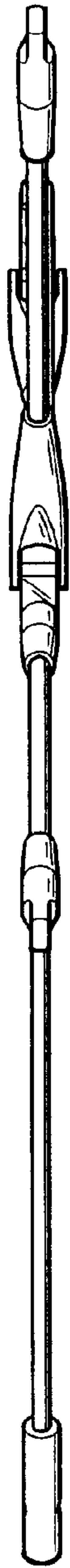


FIG. 4



FIG. 5



FIG. 6



FIG. 7