



US00D489166S

(12) **United States Design Patent**
McClaskie

(10) **Patent No.:** **US D489,166 S**

(45) **Date of Patent:** **** May 4, 2004**

(54) **OUTSOLE**

(75) **Inventor:** **Thomas E. McClaskie**, Bethlehem, PA
(US)

(73) **Assignee:** **Columbia Insurance Company**,
Omaha, NE (US)

(**) **Term:** **14 Years**

(21) **Appl. No.:** **29/183,314**

(22) **Filed:** **Jun. 10, 2003**

(51) **LOC (7) Cl.** **02-04**

(52) **U.S. Cl.** **D2/953; D2/951**

(58) **Field of Search** D2/946-949, 951-960;
36/3 B, 22 R, 25 R, 30 R, 32 A, 32 R,
59 R, 67 A, 67 B

(56) **References Cited**

U.S. PATENT DOCUMENTS

- 306,561 A * 10/1884 Vaughan
- 485,459 A * 11/1892 Crocker
- D64,898 S * 6/1924 Gunlock
- D114,786 S * 5/1939 Cutler
- D149,890 S * 6/1948 Laybolt
- D250,943 S * 1/1979 Bergamaschi D2/960
- 4,364,190 A * 12/1982 Yonkers 36/32 R
- D268,543 S * 4/1983 Bretschneider D2/953
- D306,794 S * 3/1990 Trulsen D2/951

- D322,509 S * 12/1991 Issler D2/957
- D324,448 S * 3/1992 Blissett D2/953
- D339,463 S * 9/1993 Dyer et al. D2/960
- D361,881 S * 9/1995 Hatfield D2/951
- D378,471 S * 3/1997 Winson D2/953
- D386,595 S * 11/1997 Teague D2/960
- D387,895 S * 12/1997 Cooper D2/960
- D388,350 S * 12/1997 Smith D2/953
- D391,042 S * 2/1998 Merceron D2/951
- D455,895 S * 4/2002 Yang D2/955
- D459,062 S * 6/2002 Pollastrelli D2/953
- D481,526 S * 11/2003 Matis et al. D2/953

* cited by examiner

Primary Examiner—Celia Murphy

(74) *Attorney, Agent, or Firm*—St. Onge Steward Johnston
& Reens LLC

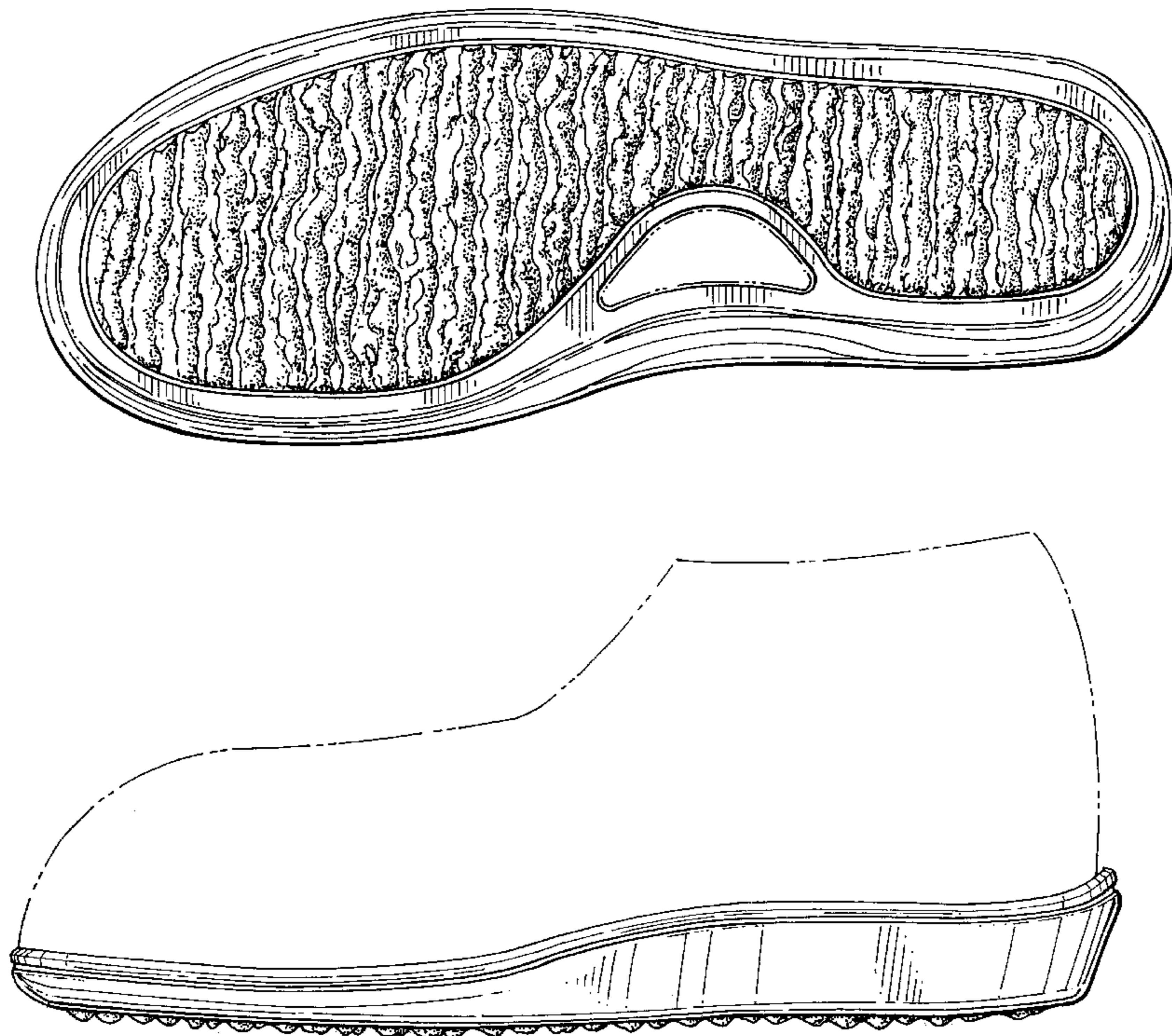
(57) **CLAIM**

I claim the ornamental design for an outsole, as shown and described.

DESCRIPTION

FIG. 1 is a bottom plan view of an outsole showing my new design;
FIG. 2 is a right side elevational view thereof;
FIG. 3 is a left side elevational view thereof;
FIG. 4 is a front elevational view thereof; and,
FIG. 5 is a rear elevational view thereof.

1 Claim, 4 Drawing Sheets



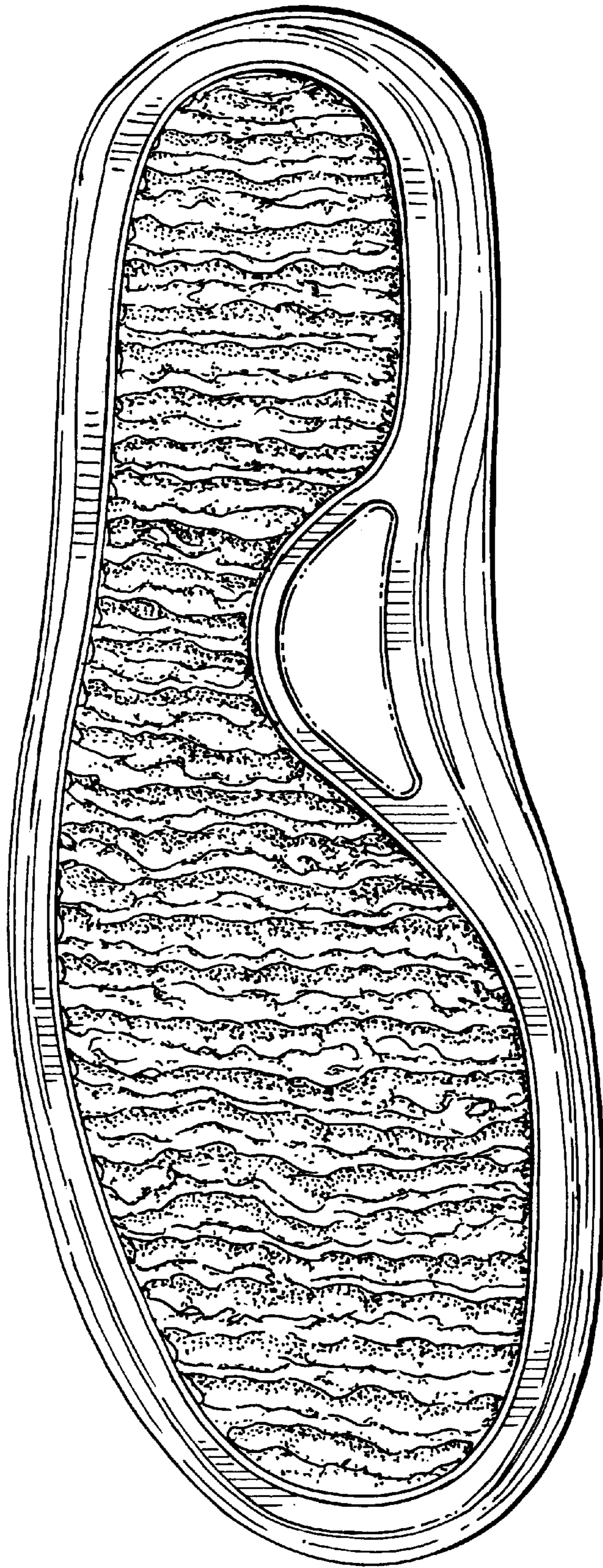


FIG. 1

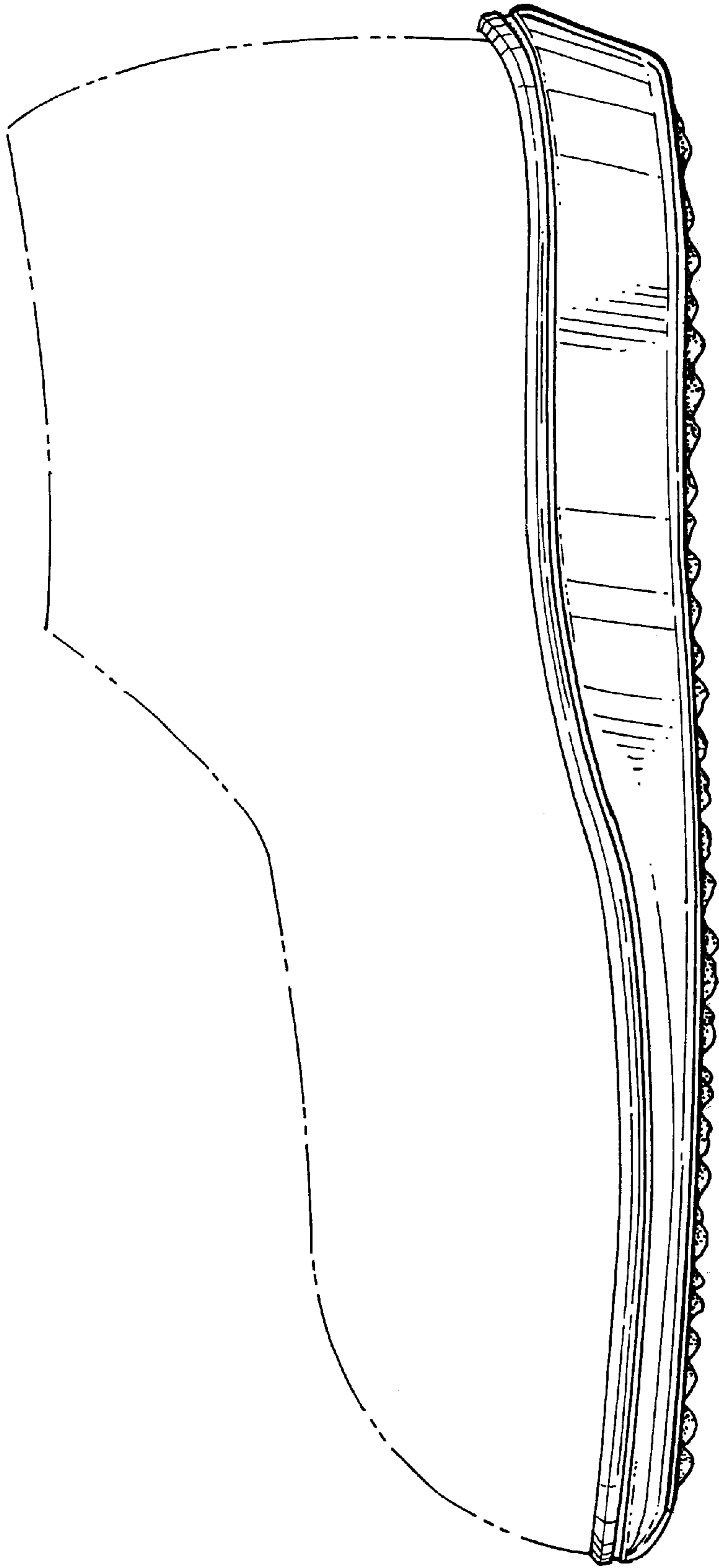


FIG. 2

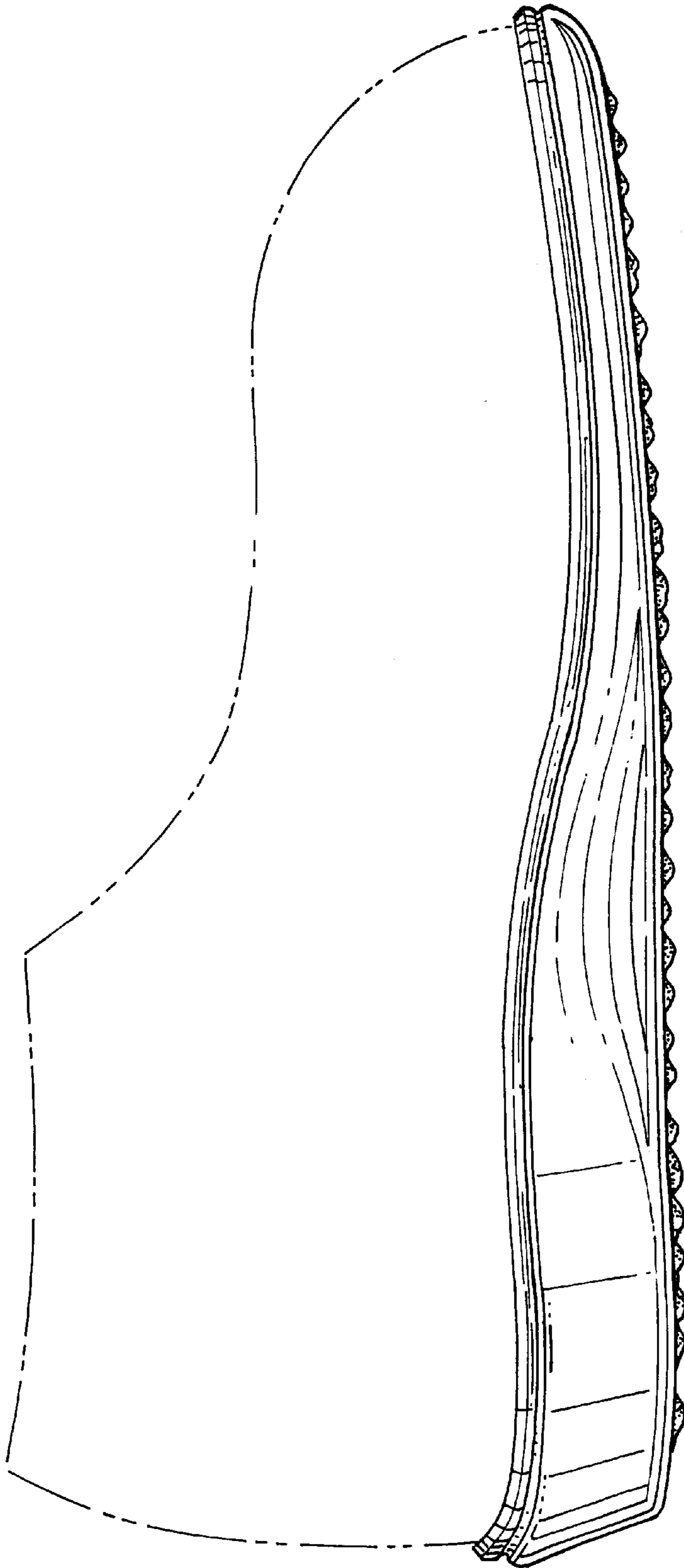


FIG. 3

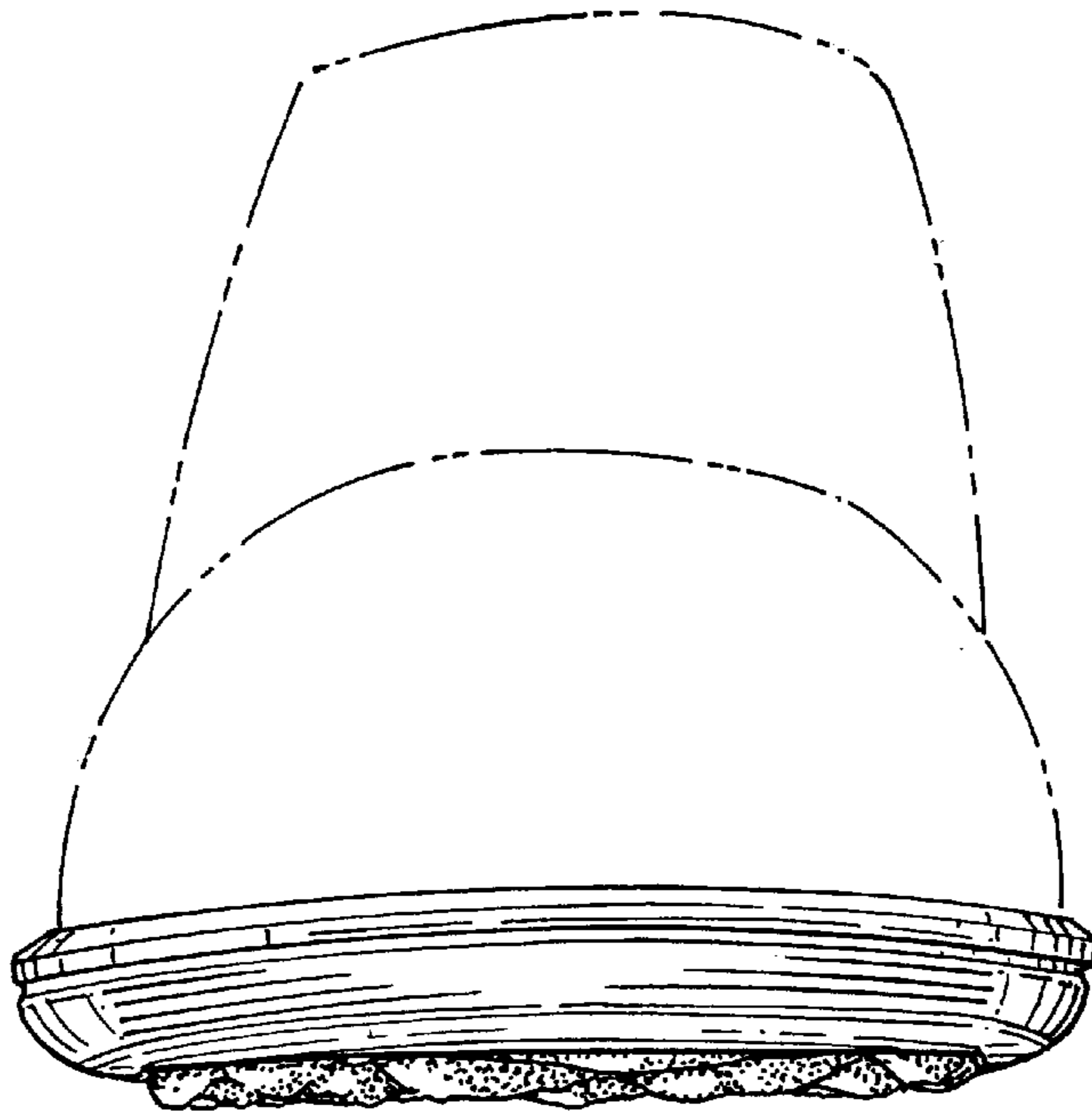


FIG. 4

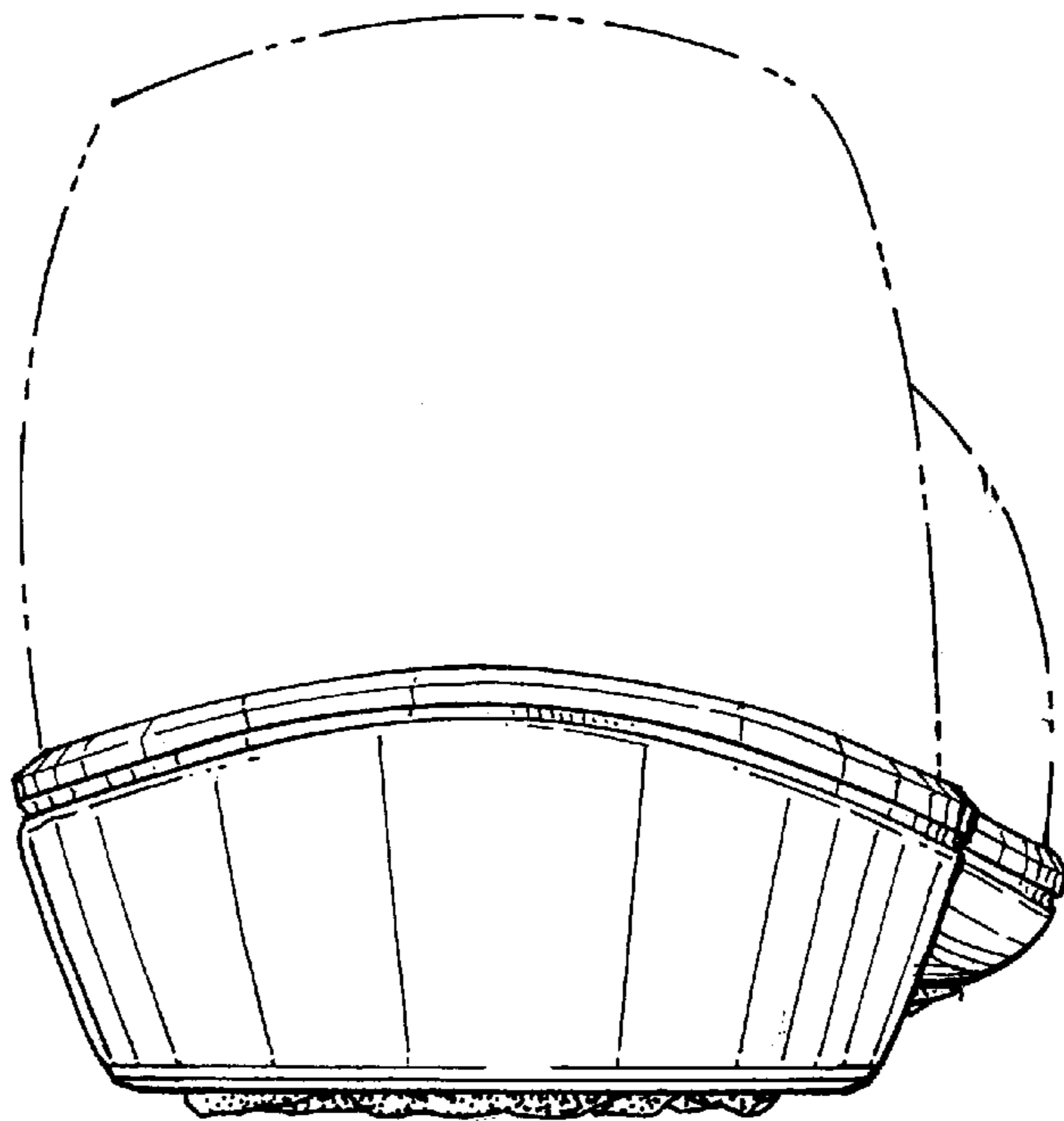


FIG. 5