



US00D489159S

(12) **United States Design Patent**
Hradisky

(10) **Patent No.:** **US D489,159 S**

(45) **Date of Patent:** **** Apr. 27, 2004**

(54) **PLASTIC MAILBOX**

(75) Inventor: **John L. Hradisky**, Aurora, OH (US)

(73) Assignee: **The Step2 Company**, Streetsboro, OH (US)

(**) Term: **14 Years**

(21) Appl. No.: **29/177,021**

(22) Filed: **Mar. 3, 2003**

(51) **LOC (7) Cl.** **99-00**

(52) **U.S. Cl.** **D99/29**

(58) **Field of Search** D99/28, 29, 31,
D99/32; 232/17, 38, 39; 248/146, 121

(56) **References Cited**

U.S. PATENT DOCUMENTS

5,022,618	A	*	6/1991	Barrett et al.	248/146
5,362,019	A	*	11/1994	Swanson	248/146
5,664,729	A	*	9/1997	Ladewig	232/39
D385,680	S	*	10/1997	Cacciola et al.	D99/29

OTHER PUBLICATIONS

Website printout from www.step2.com—MailMaster Deluxe Mailbox—2 pages.

Website printout from www.step2.com—MailMaster Plus Mailbox—2 pages.

Website printout from www.step2.com—MailMaster Standard Mailbox—2 pages.

Website printout from www.rubbermaid.com—Large Mailbox—2 pages.

Website printout from www.rubbermaid.com—Medium Mailbox—2 pages.

Website printout from www.rubbermaid.com—Small Mailbox—2 pages.

Website printout from www.rubbermaid.com—Mailbox Post & Mounting—2 pages.

Website printout from www.thesolargroup.com—Plastic Mailbox & Post Combos—4 pages.

Website printout from www.thesolargroup.com—Plastic Post Mount Mailboxes—2 pages.

Website printout from www.thesolargroup.com—Deluxe Plastic Mailbox Posts—2 pages.

* cited by examiner

Primary Examiner—Paula A. Mortimer

(74) *Attorney, Agent, or Firm*—Brouse McDowell; Roger D. Emerson; Heather M. Barnes

(57) **CLAIM**

The ornamental design for a plastic mailbox, as shown and described.

DESCRIPTION

FIG. 1 is a perspective view showing the new design; the broken lines are for illustrative purposes only and form no part of the claimed design.

FIG. 2 is a front elevational view of the present invention; the broken lines are for illustrative purposes only and form no part of the claimed design.

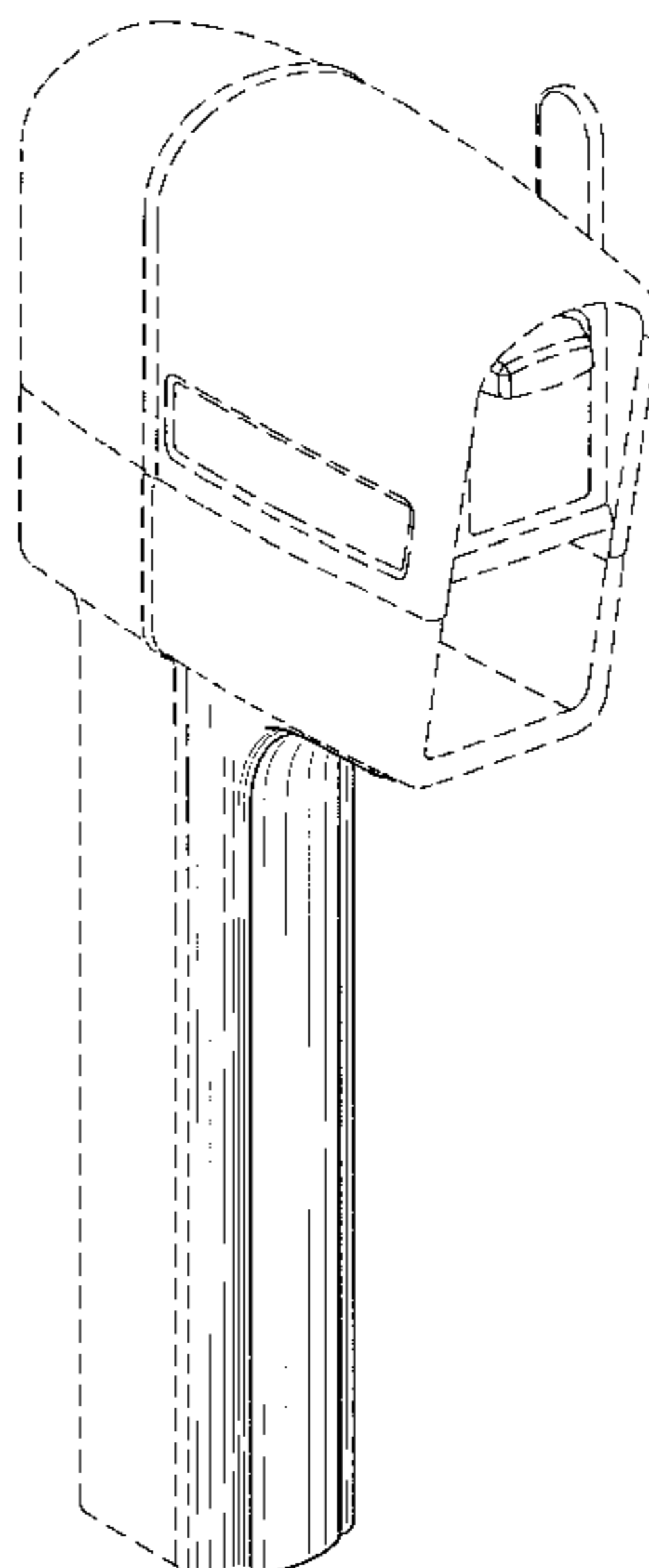
FIG. 3 is a right side elevational view of the present invention; the broken lines are for illustrative purposes only and form no part of the claimed design.

FIG. 4 is a top plan view of the present invention; the broken lines are for illustrative purposes only and form no part of the claimed design.

FIG. 5 is a rear elevational view of the present invention; the broken lines are for illustrative purposes only and form no part of the claimed design; and,

FIG. 6 is a left side elevational view of the present invention; the broken lines are for illustrative purposes only and form no part of the claimed design.

1 Claim, 3 Drawing Sheets



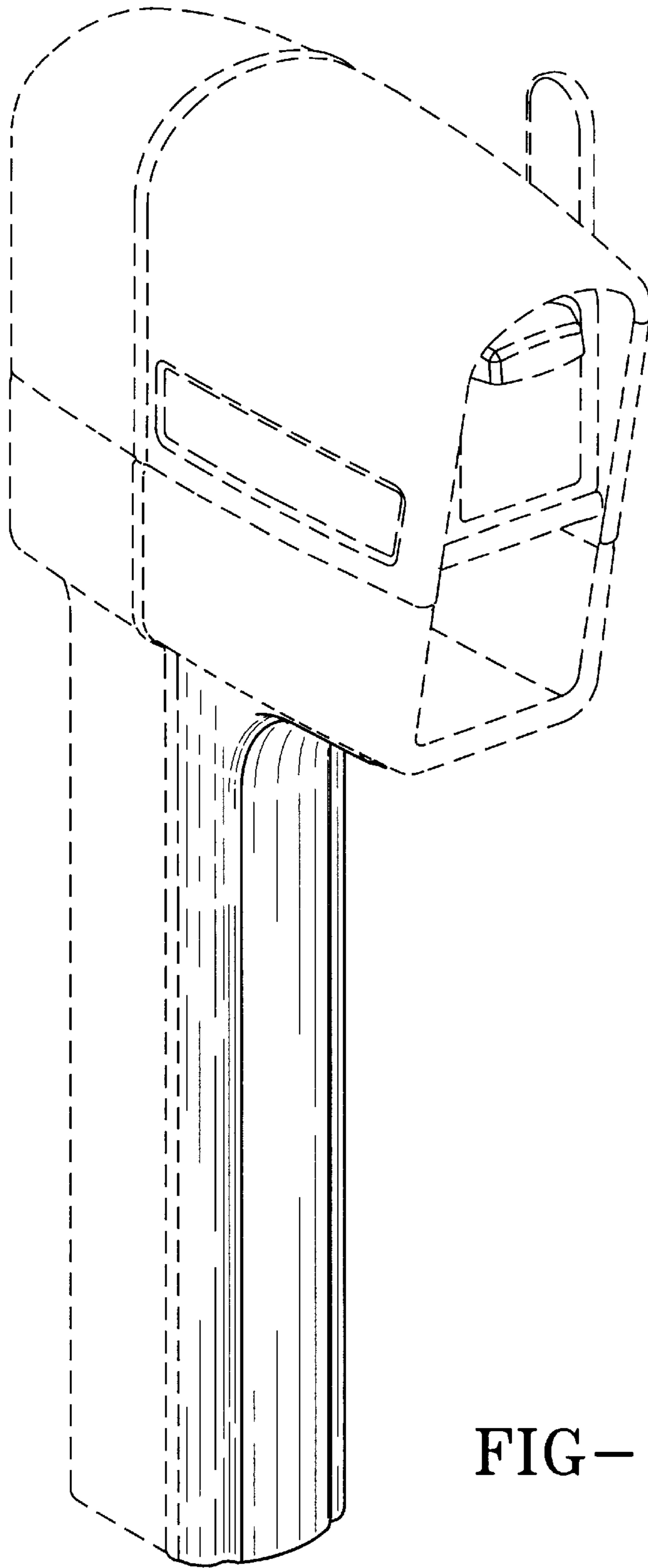


FIG-1

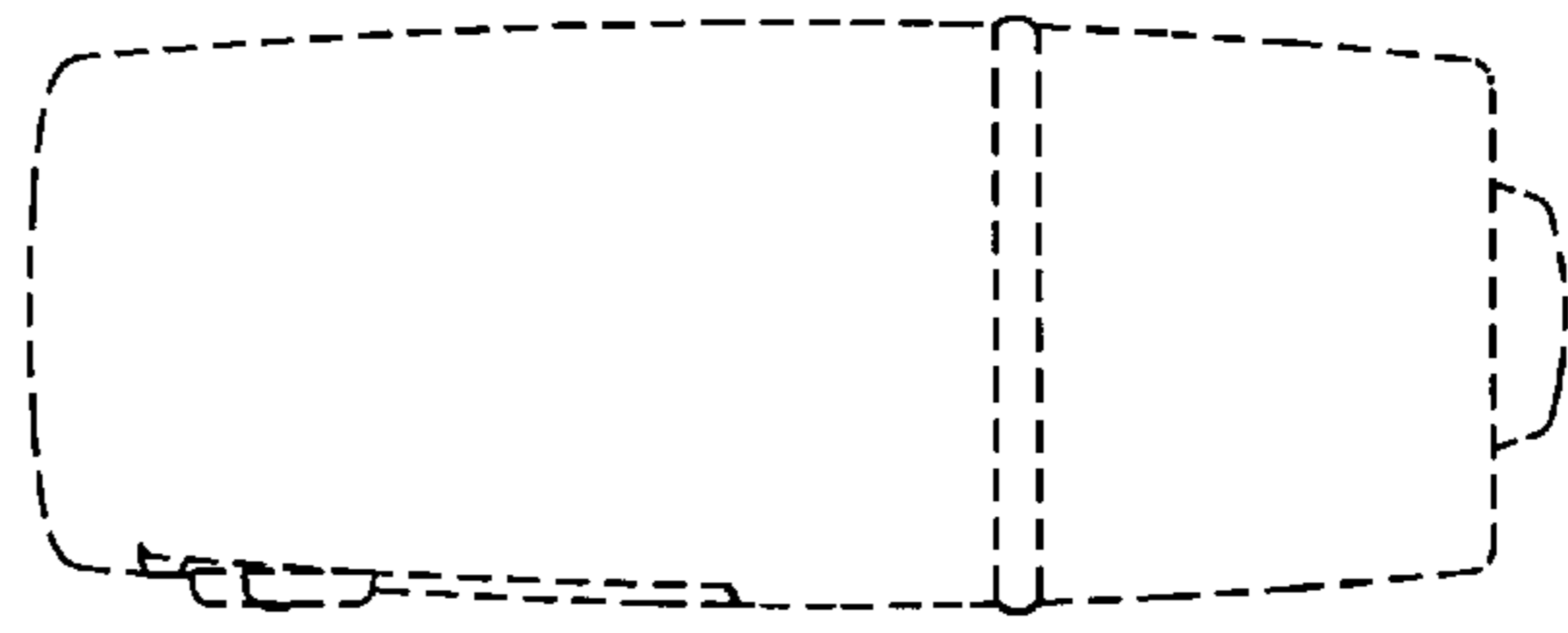


FIG-4

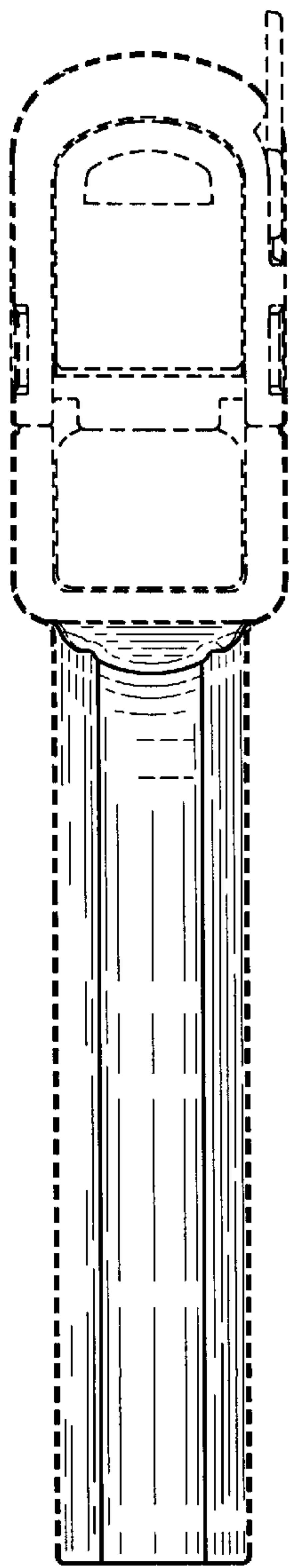


FIG-2

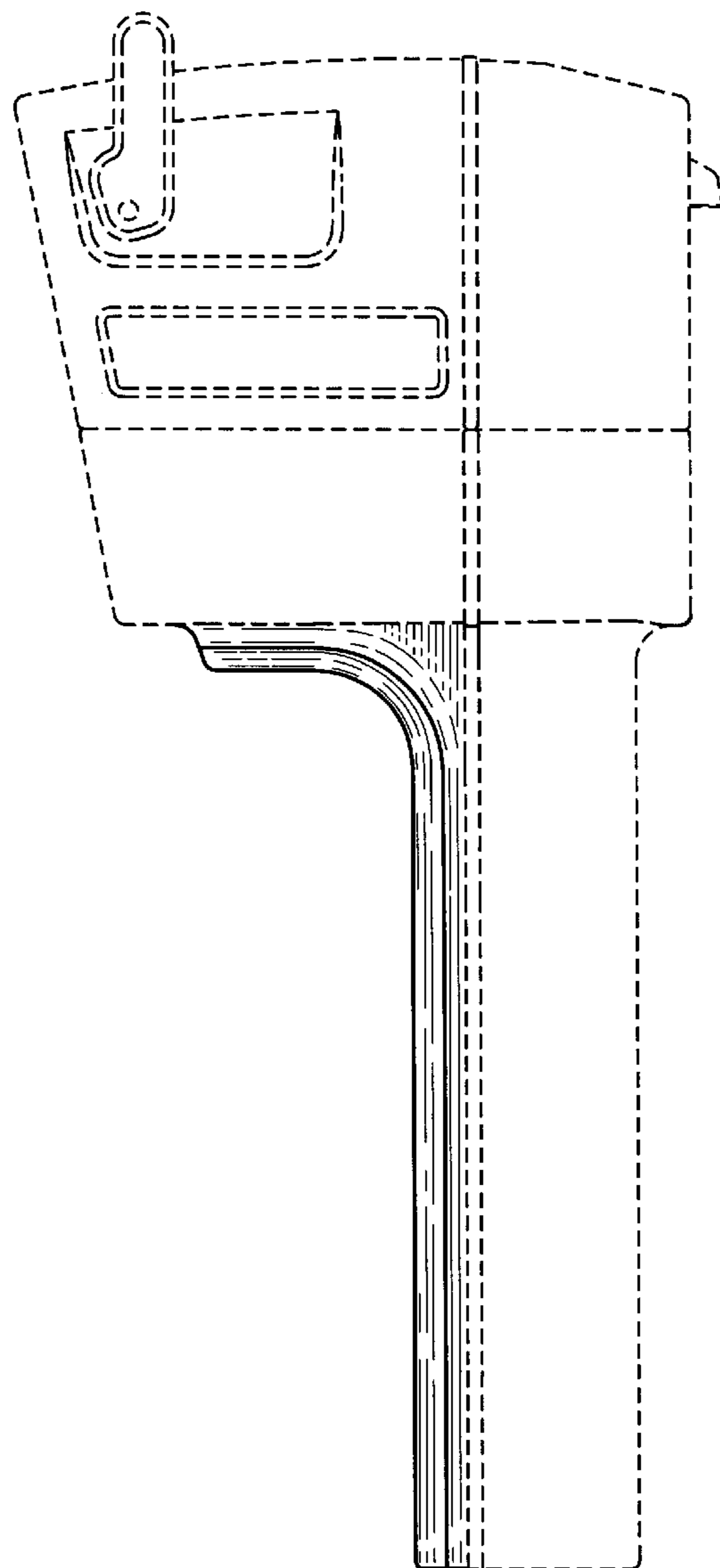


FIG-3

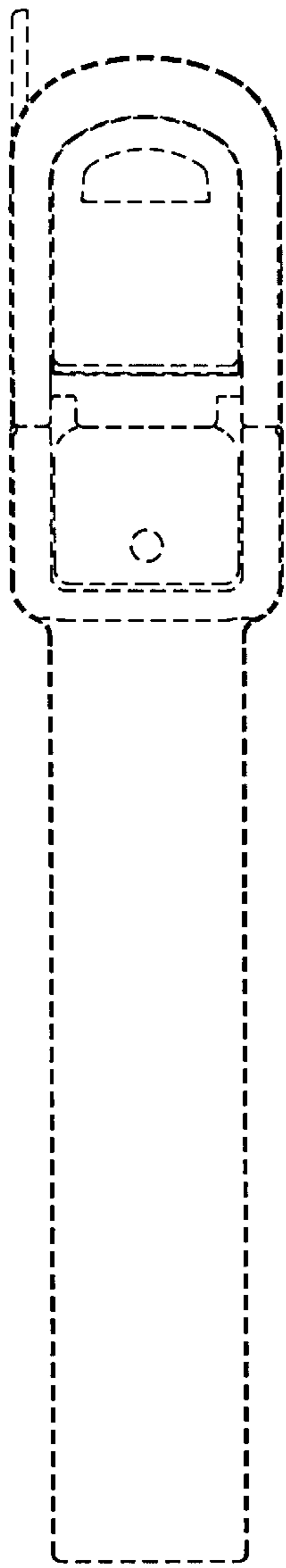


FIG-5

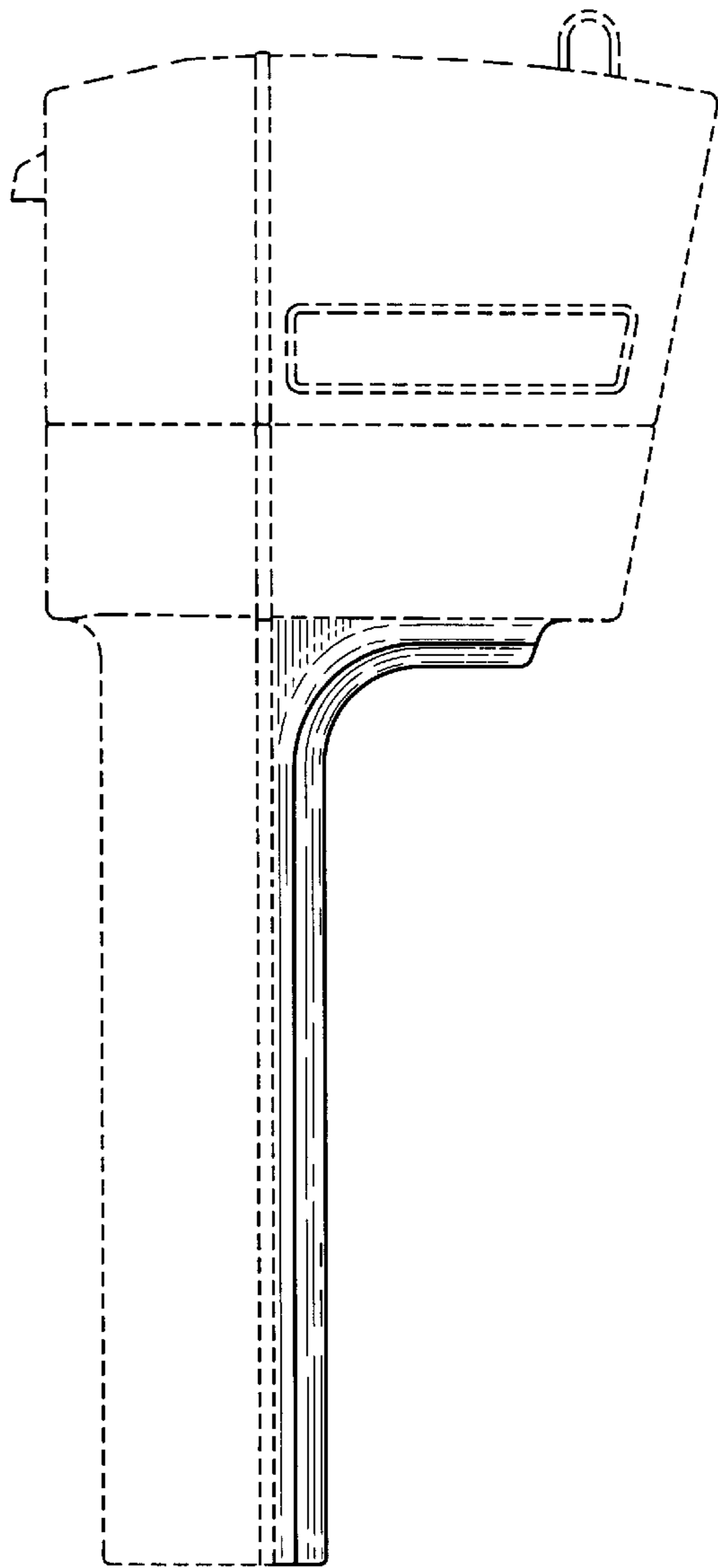


FIG-6