



US00D489155S

(12) **United States Design Patent**
Underbrink

(10) **Patent No.:** **US D489,155 S**

(45) **Date of Patent:** **** Apr. 27, 2004**

(54) **OUTDOOR STATION WITH SINK AND FOLDABLE FAUCET**

(75) Inventor: **John Underbrink**, Richardson, TX (US)

(73) Assignee: **Spang & Company**, Pittsburgh, PA (US)

(**) Term: **14 Years**

(21) Appl. No.: **29/151,406**

(22) Filed: **Nov. 9, 2001**

(51) **LOC (7) Cl.** **12-02**

(52) **U.S. Cl.** **D34/14; D23/286; D34/21**

(58) **Field of Search** **D34/12-27; D23/286, D23/284, 287; 4/626, 631**

(56) **References Cited**

U.S. PATENT DOCUMENTS

5,465,438 A	*	11/1995	Allman et al.	4/626
D367,105 S	*	2/1996	Goertz	D23/286
D409,732 S	*	5/1999	Maddux et al.	D23/286

* cited by examiner

Primary Examiner—Kay H. Chin

(74) *Attorney, Agent, or Firm*—Kirkpatrick & Lockhart LLP

(57) **CLAIM**

The ornamental design for an outdoor station with a sink and foldable faucet, as shown and described.

DESCRIPTION

FIG. 1 is a front and left side isometric view of a first embodiment of an outdoor station with a sink and foldable faucet showing my new design;

FIG. 2 is a front view of the design of FIG. 1;

FIG. 3 is a rear view of the design of FIGS. 1 and 2;

FIG. 4 is a left side view of the of the design of FIGS. 1-3;

FIG. 5 is a right side view of the of the design of FIGS. 1-4;

FIG. 6 is a top view of the of the design of FIGS. 1-5;

FIG. 7 is a bottom view of the of the design of FIGS. 1-6;

FIG. 8 is a front and left side isometric view of the design of FIGS. 1-7 showing the faucet folded;

FIG. 9 is a top view of the design of FIGS. 1-8 with the side extensions removed;

FIG. 10 is a top view of the design of FIGS. 1-9 showing the faucet folded;

FIG. 11 is a front and left side isometric view of the design of FIGS. 1-10 showing the sink covered;

FIG. 12 is a front and left side view of the design of FIGS. 1-11 showing the sink covered and the side extensions folded;

FIG. 13 is a front view of the design of FIGS. 1-12 showing the sink covered and the side extensions folded;

FIG. 14 is a rear view of the design of FIGS. 1-13 showing the sink covered and the side extensions folded;

FIG. 15 is a left side view of the design of FIGS. 1-14 showing the sink covered and the side extensions folded;

FIG. 16 is a right side view of the design of FIGS. 1-15 showing the sink covered and the side extensions folded;

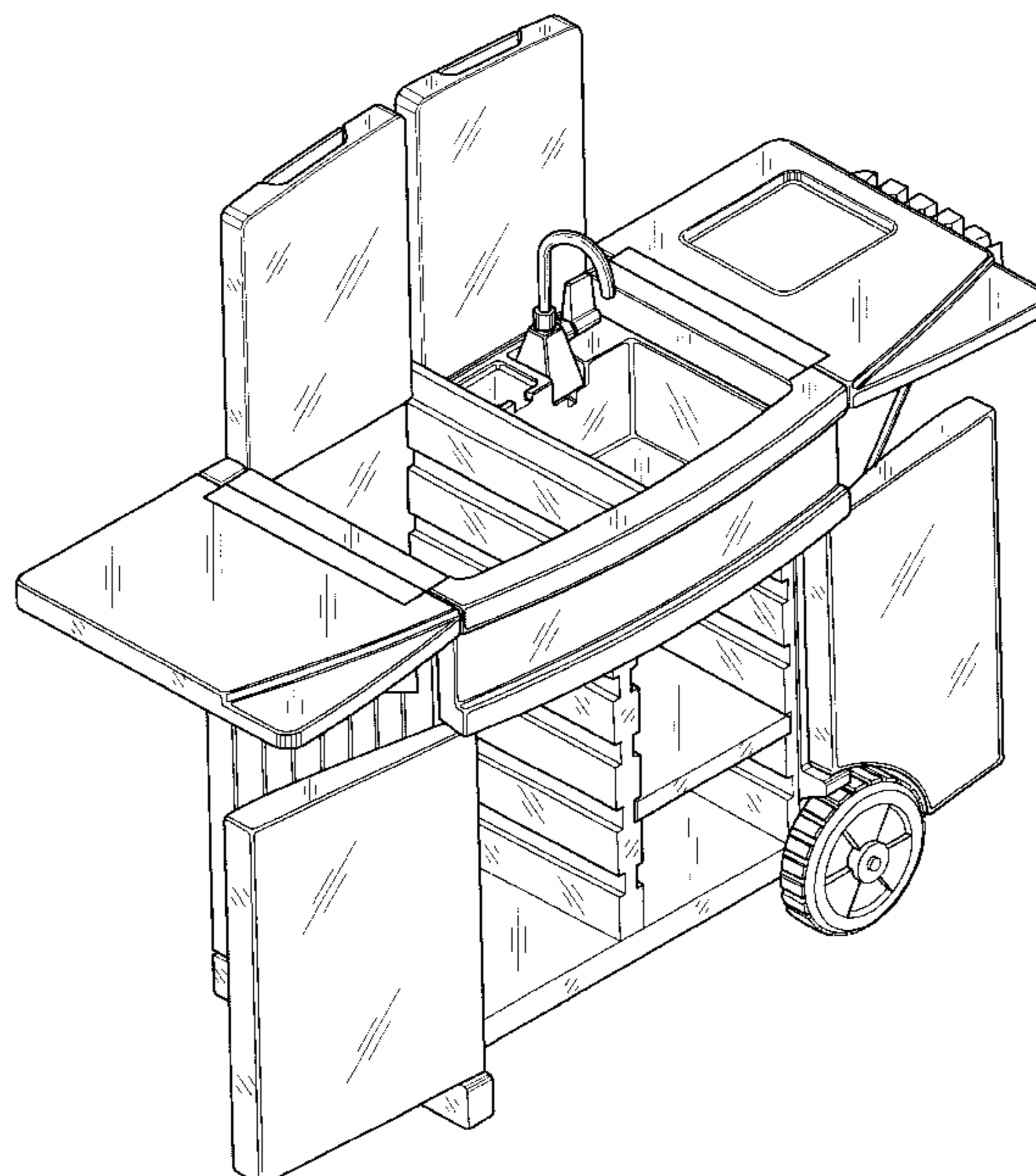
FIG. 17 is top view of the design of FIGS. 1-16 showing the sink covered and the side extensions folded;

FIG. 18 is a bottom view of the design of FIGS. 1-17 showing the sink covered and the side extensions folded;

and,

FIG. 19 is a rear and left side isometric view of an embodiment of an outdoor station with a sink and foldable faucet showing the sink covered and the side extensions folded.

1 Claim, 12 Drawing Sheets



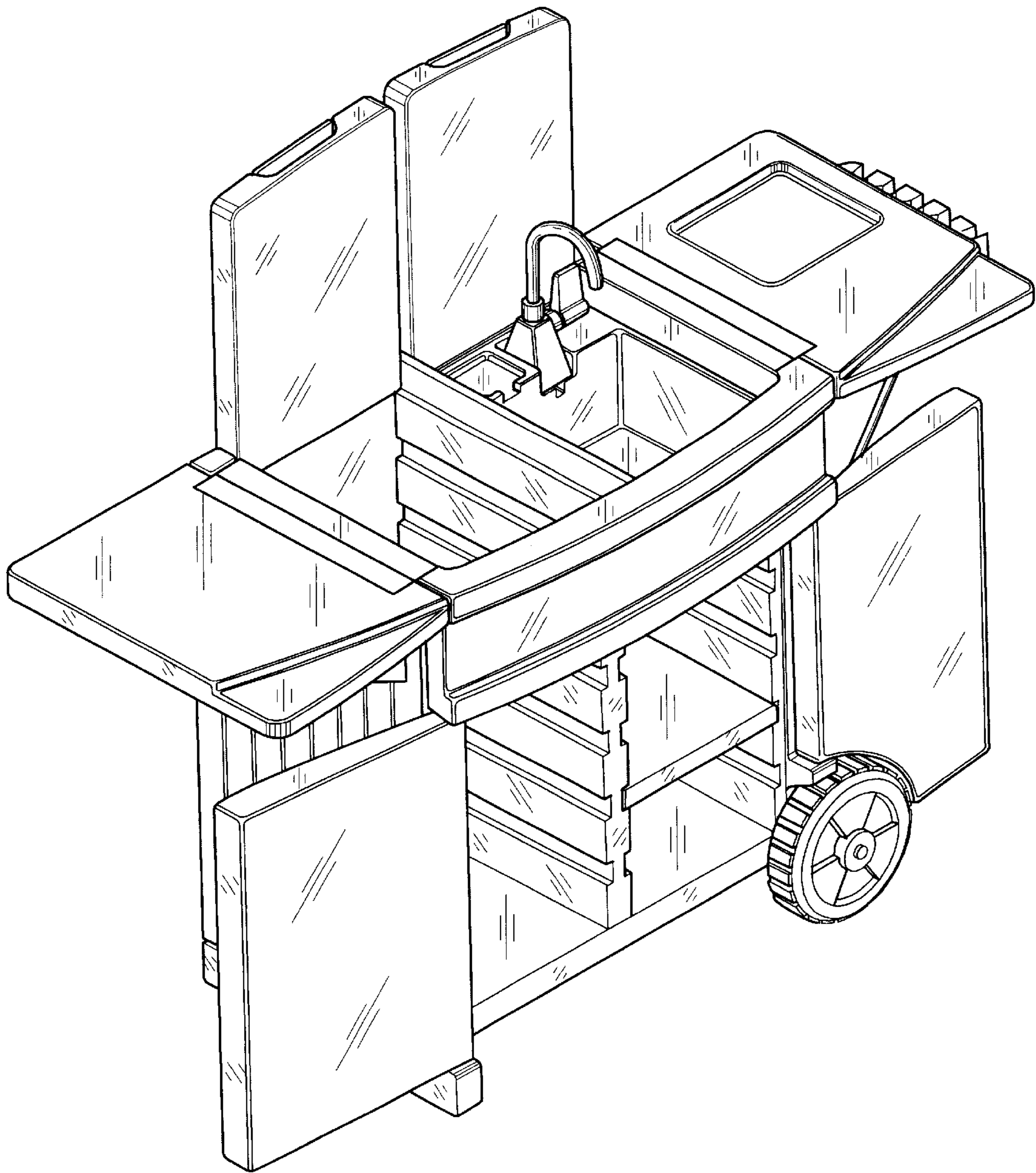


Fig. 1

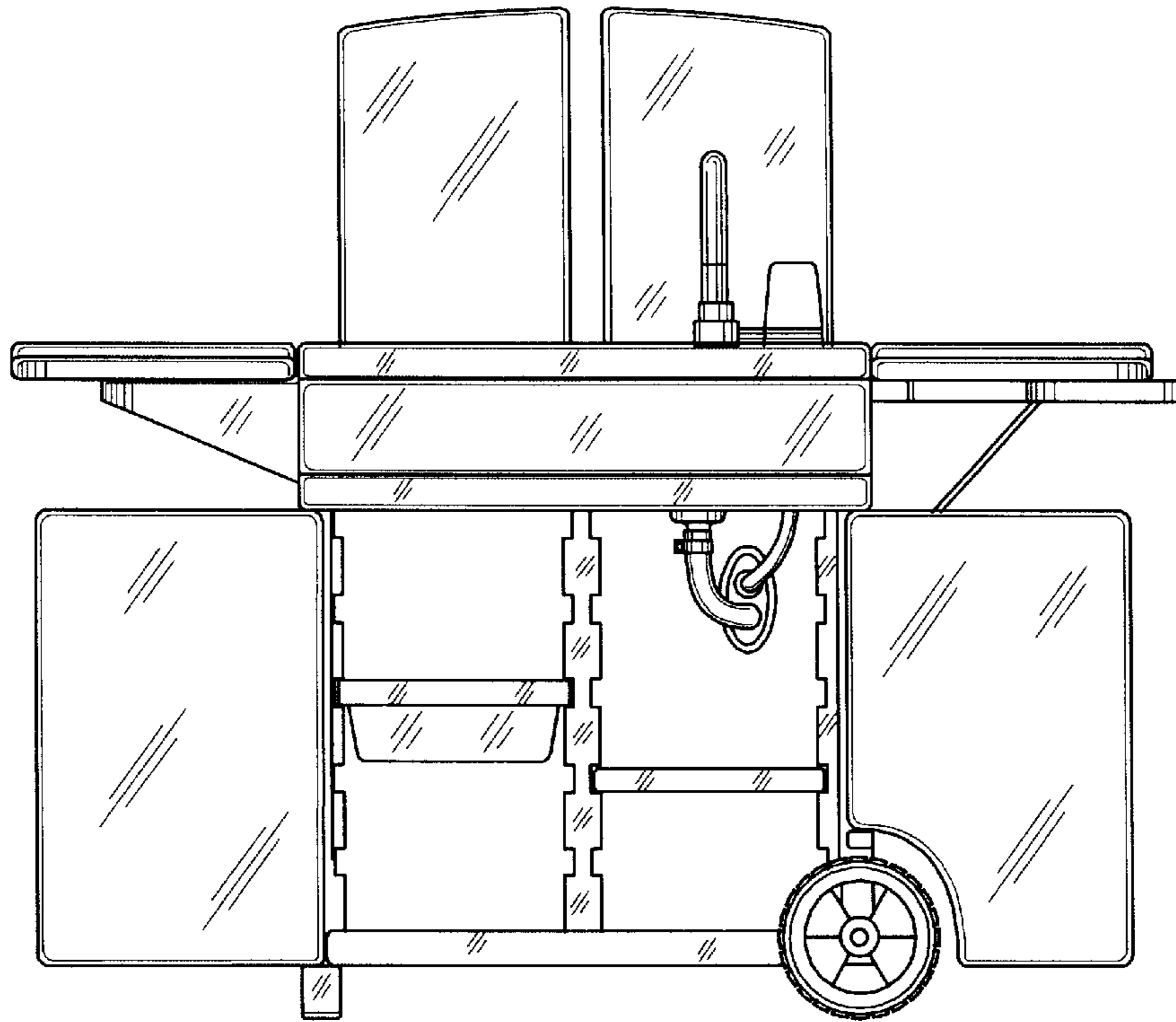


Fig. 2

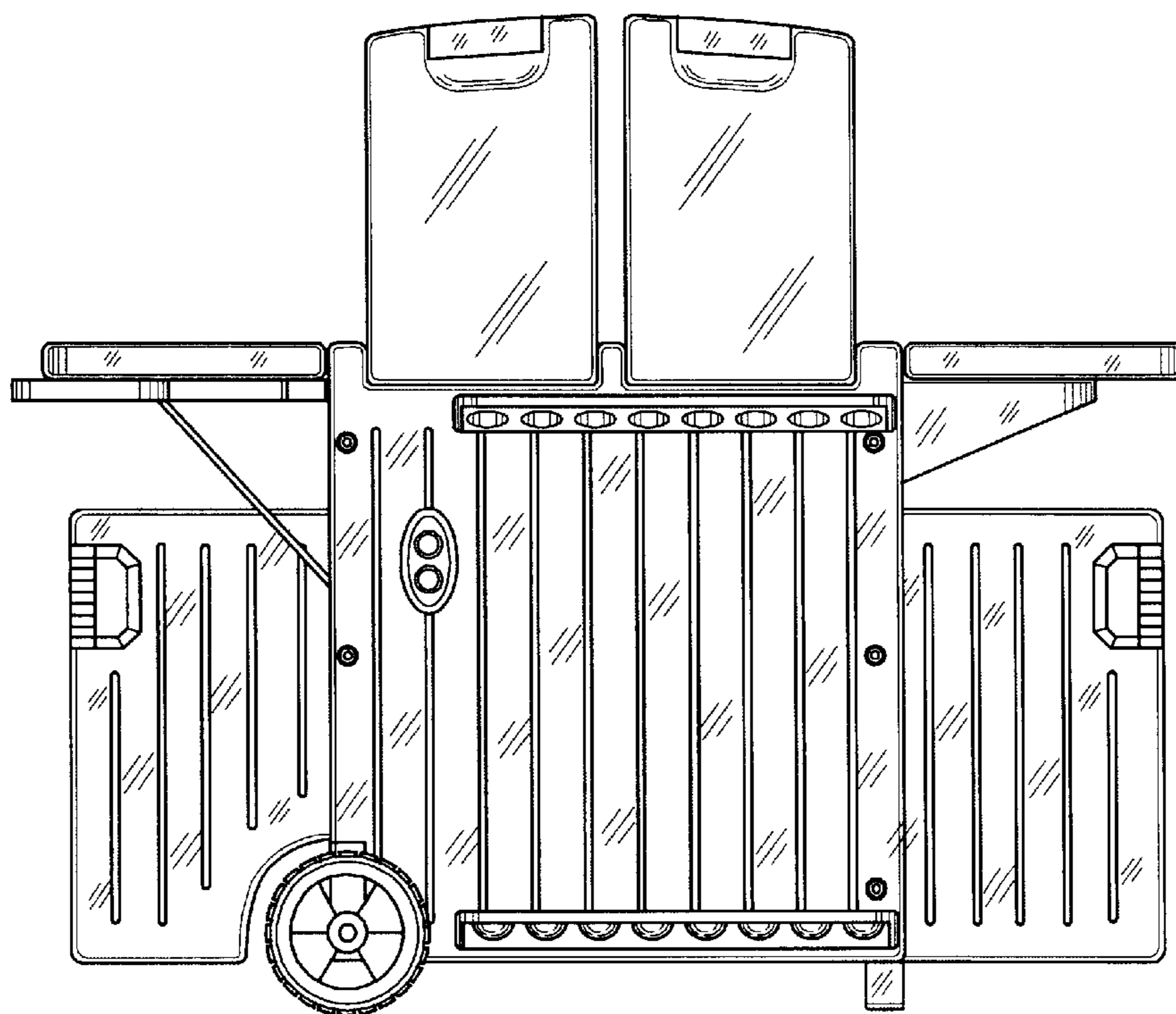


Fig. 3

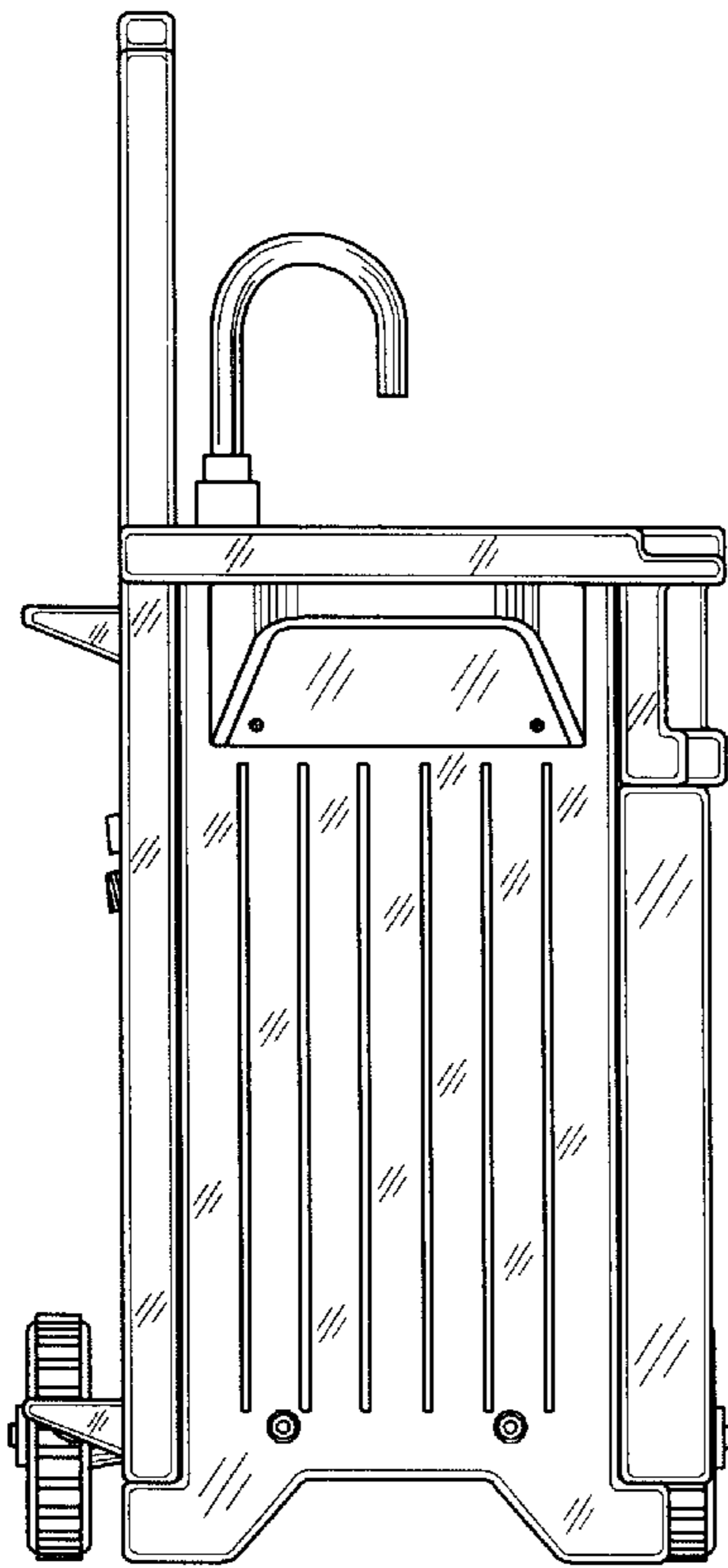


Fig. 4

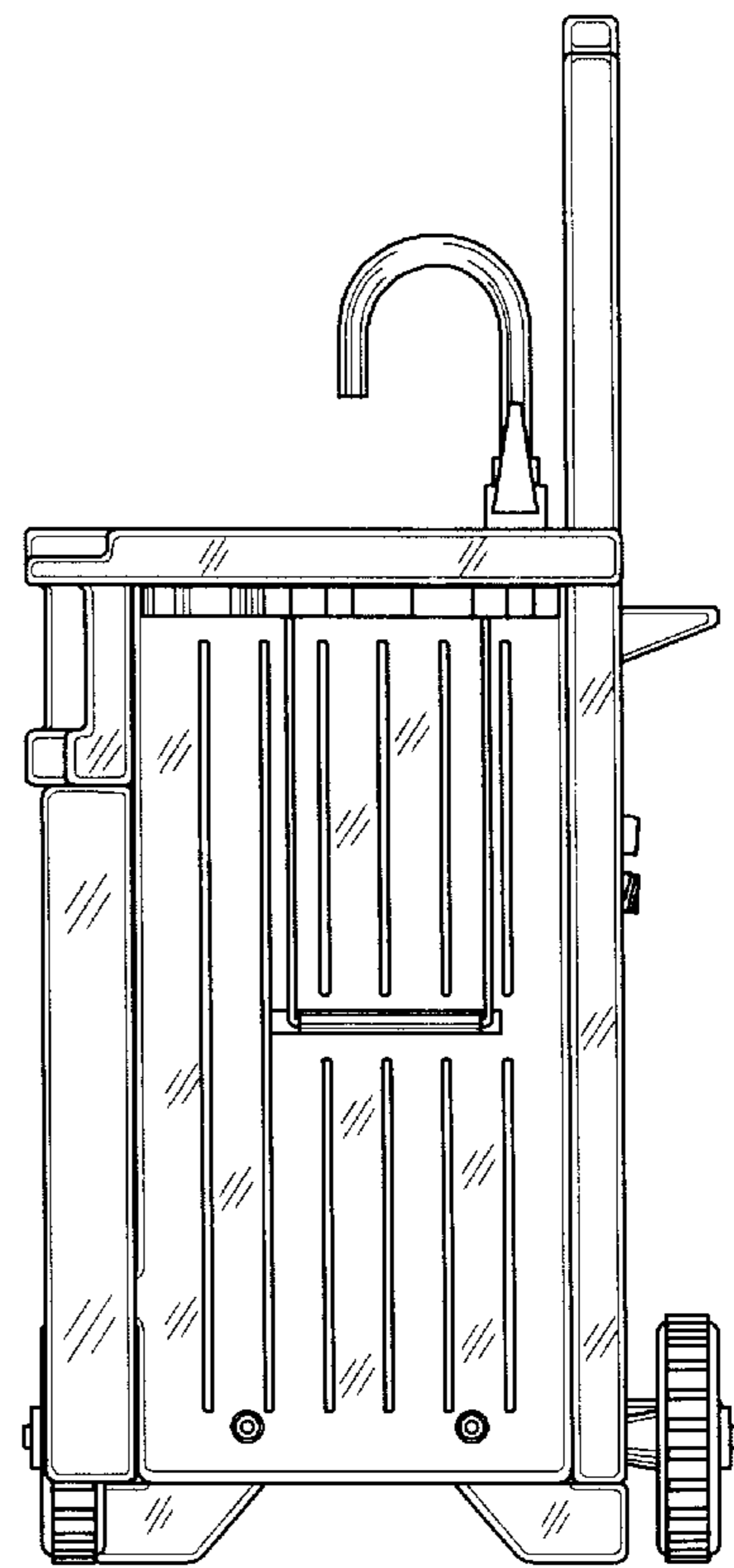


Fig. 5

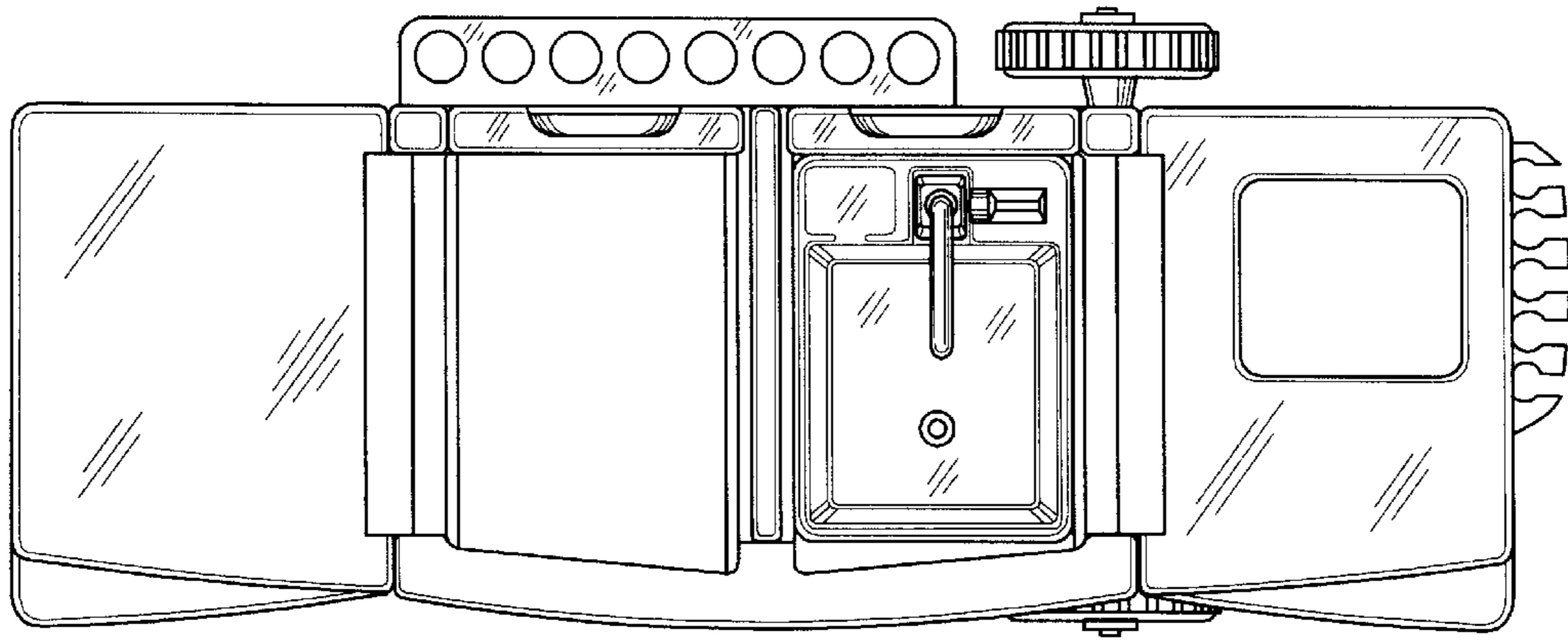


Fig. 6

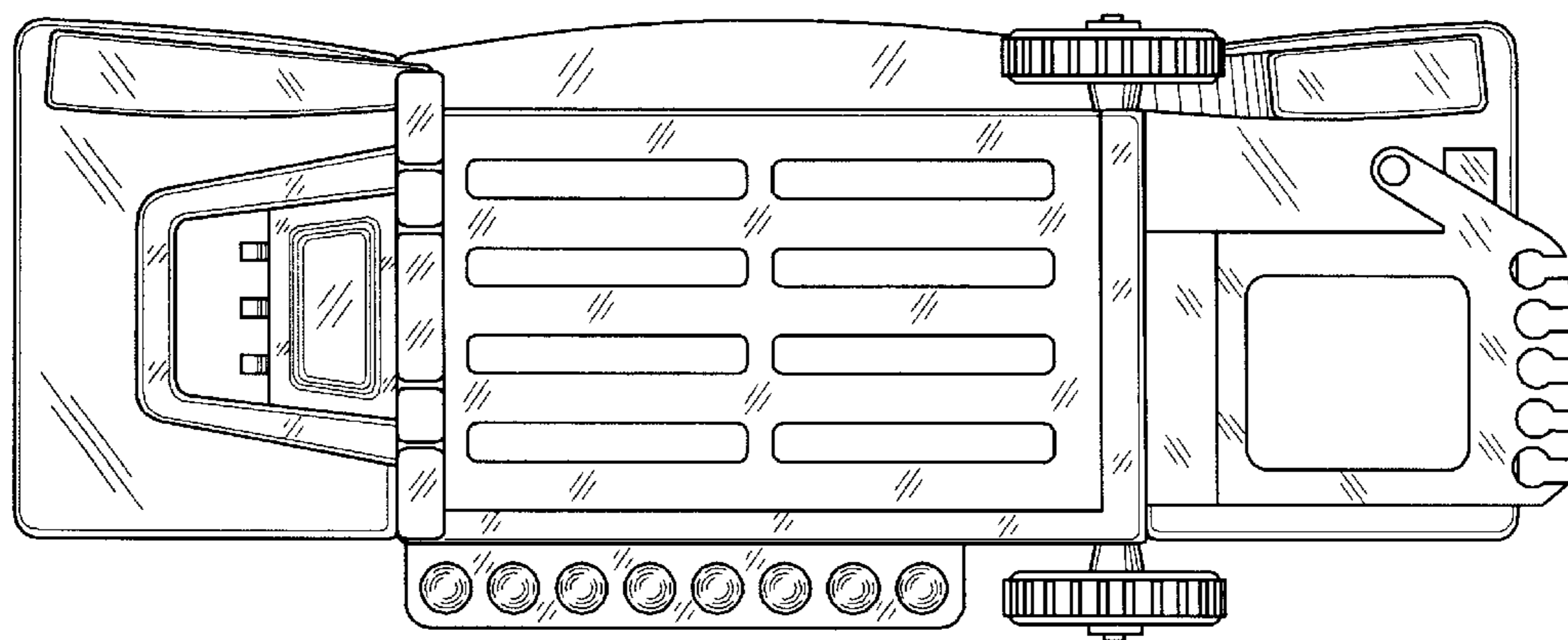


Fig. 7

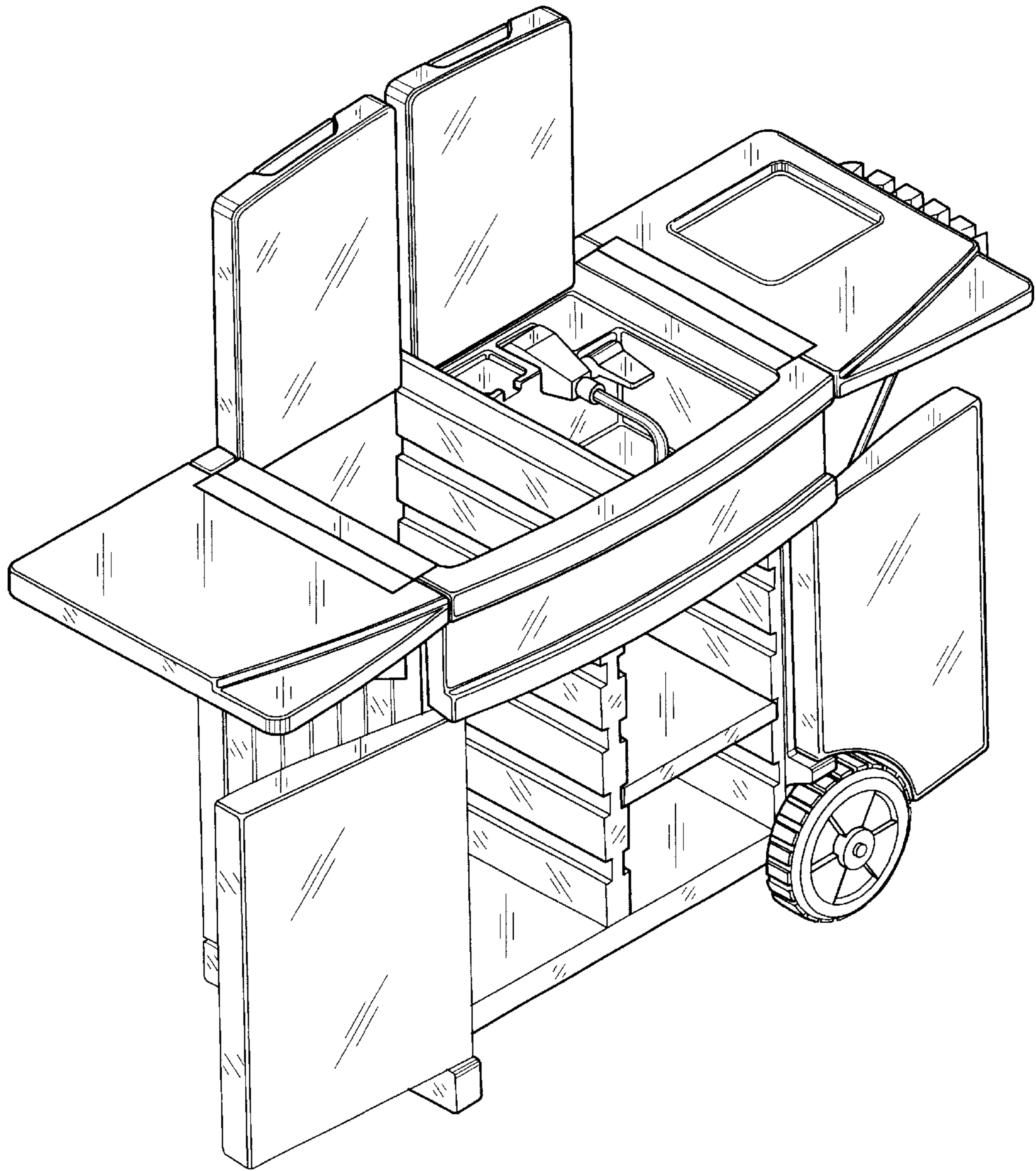


Fig. 8

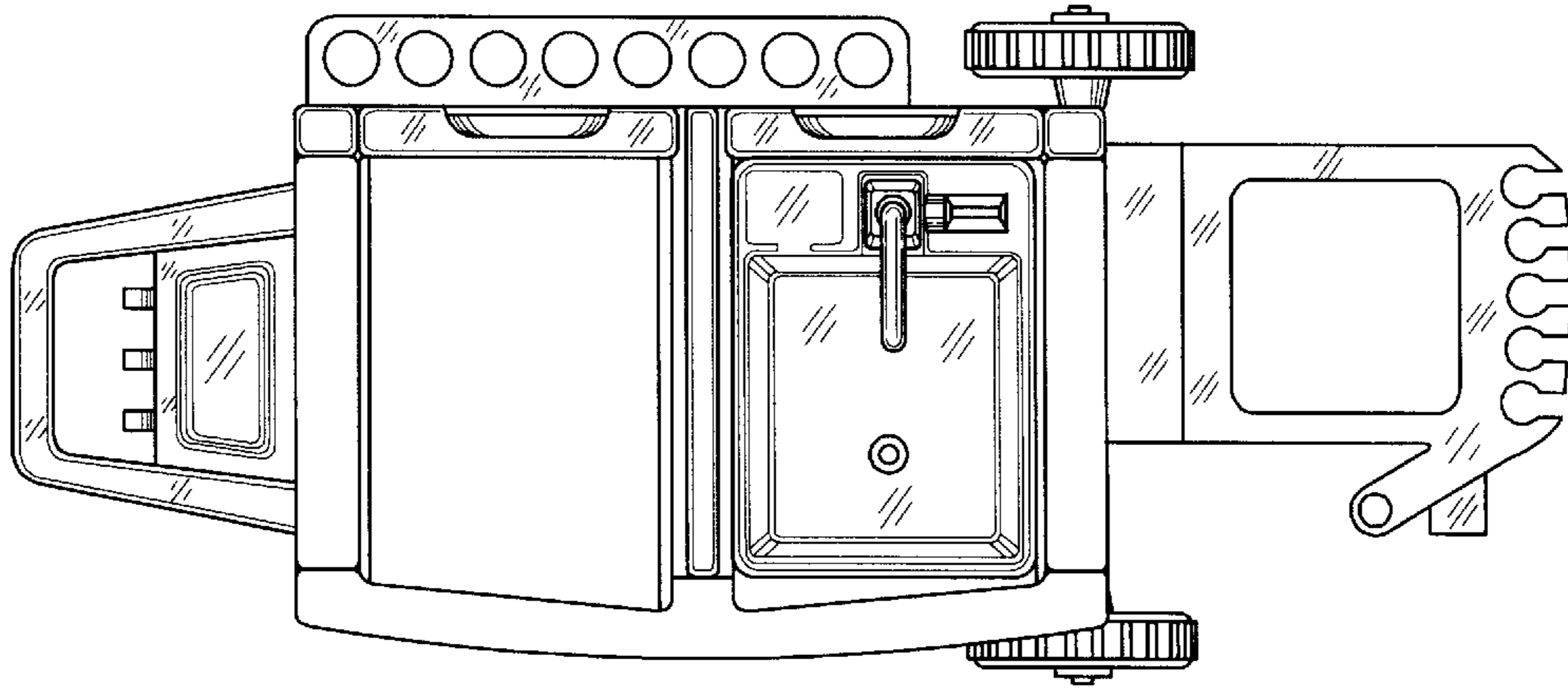


Fig. 9

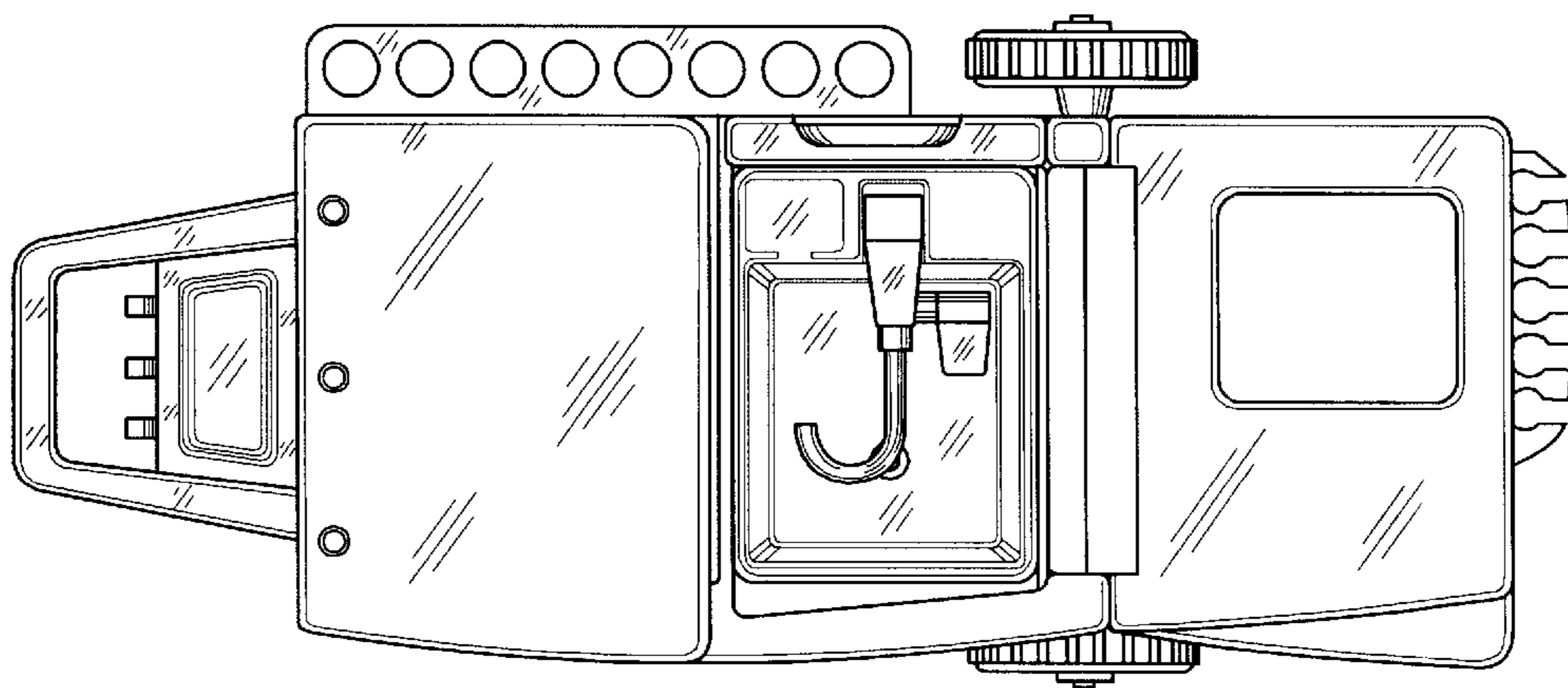


Fig. 10

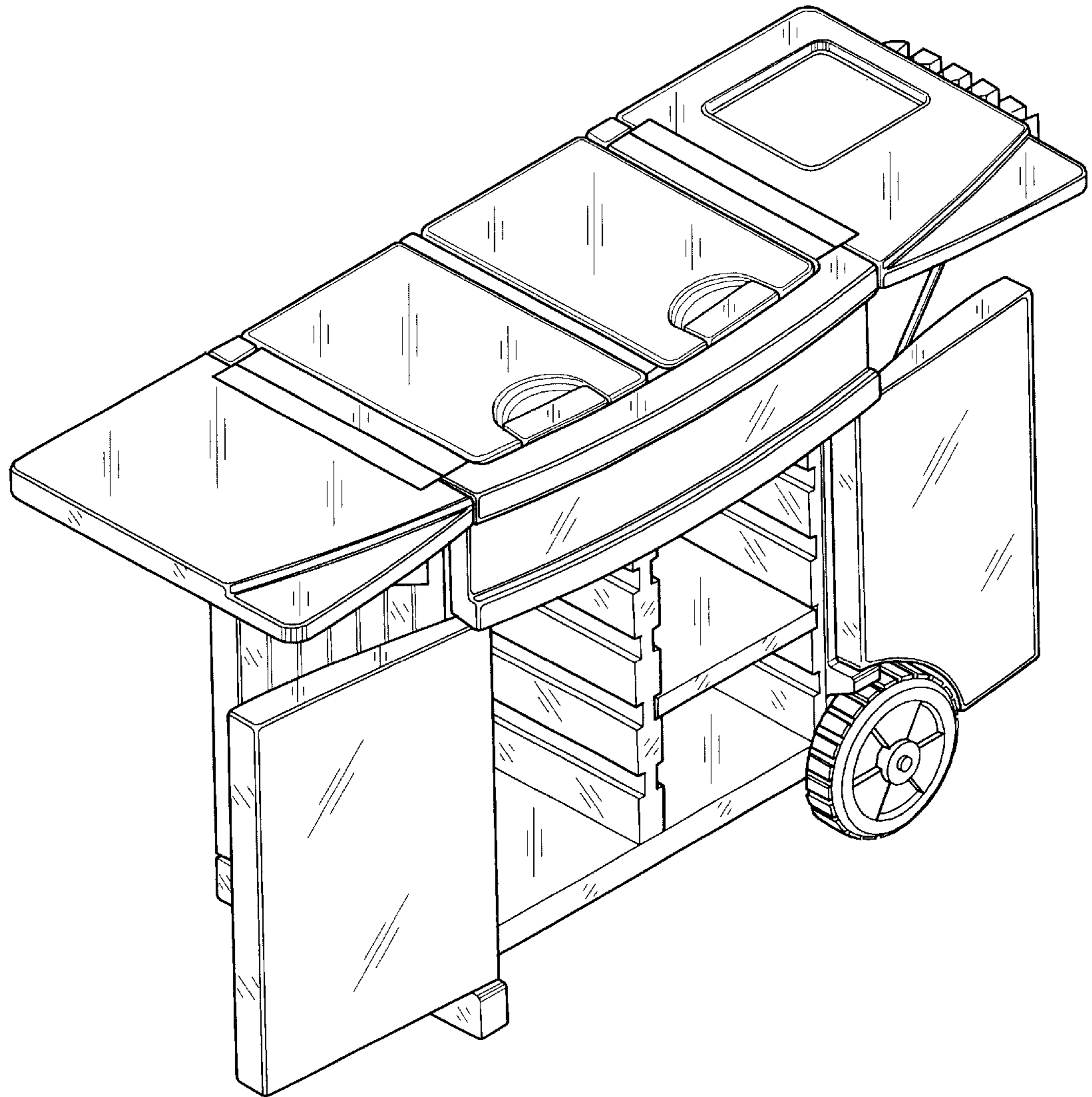


Fig. 11

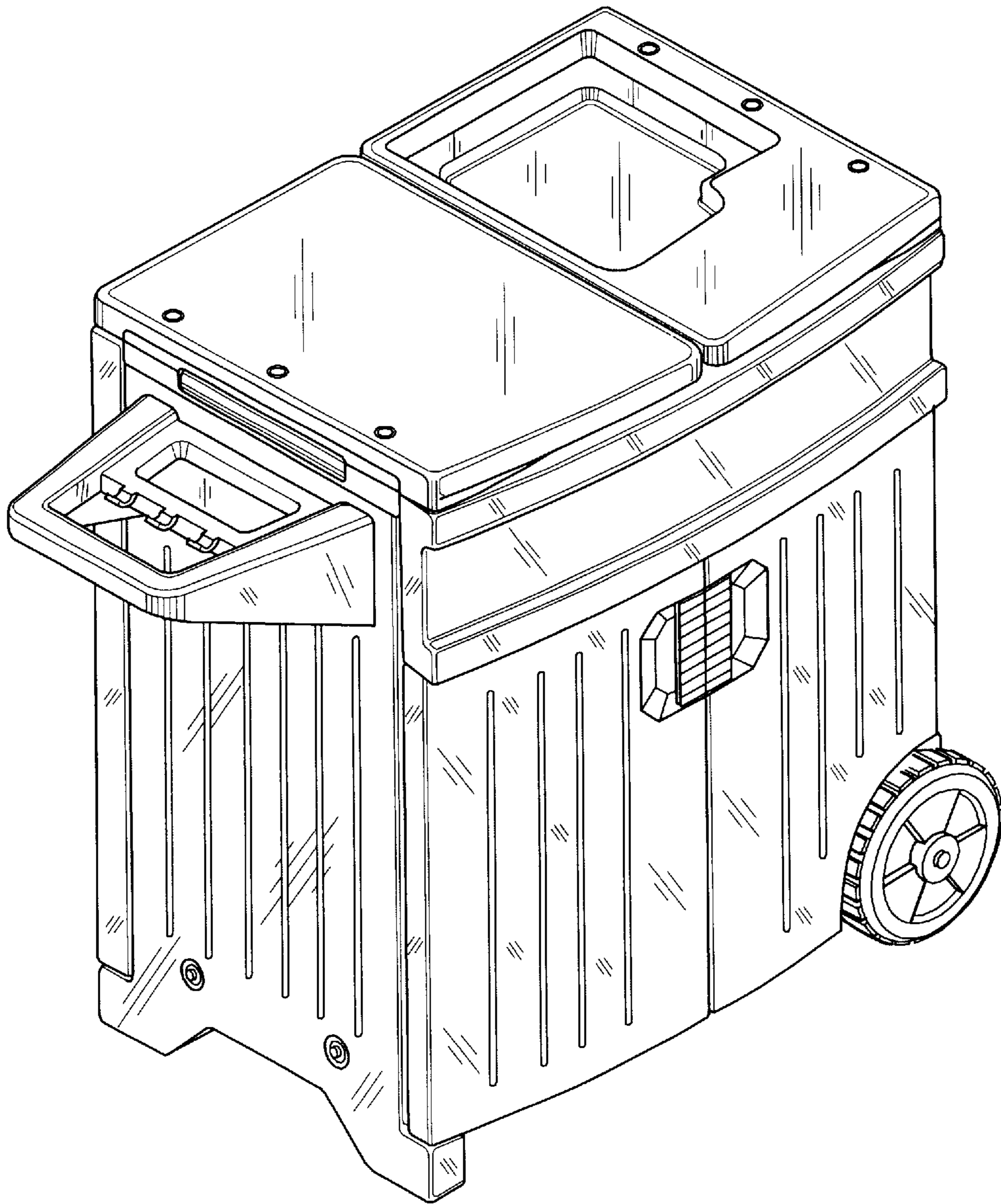


Fig. 12

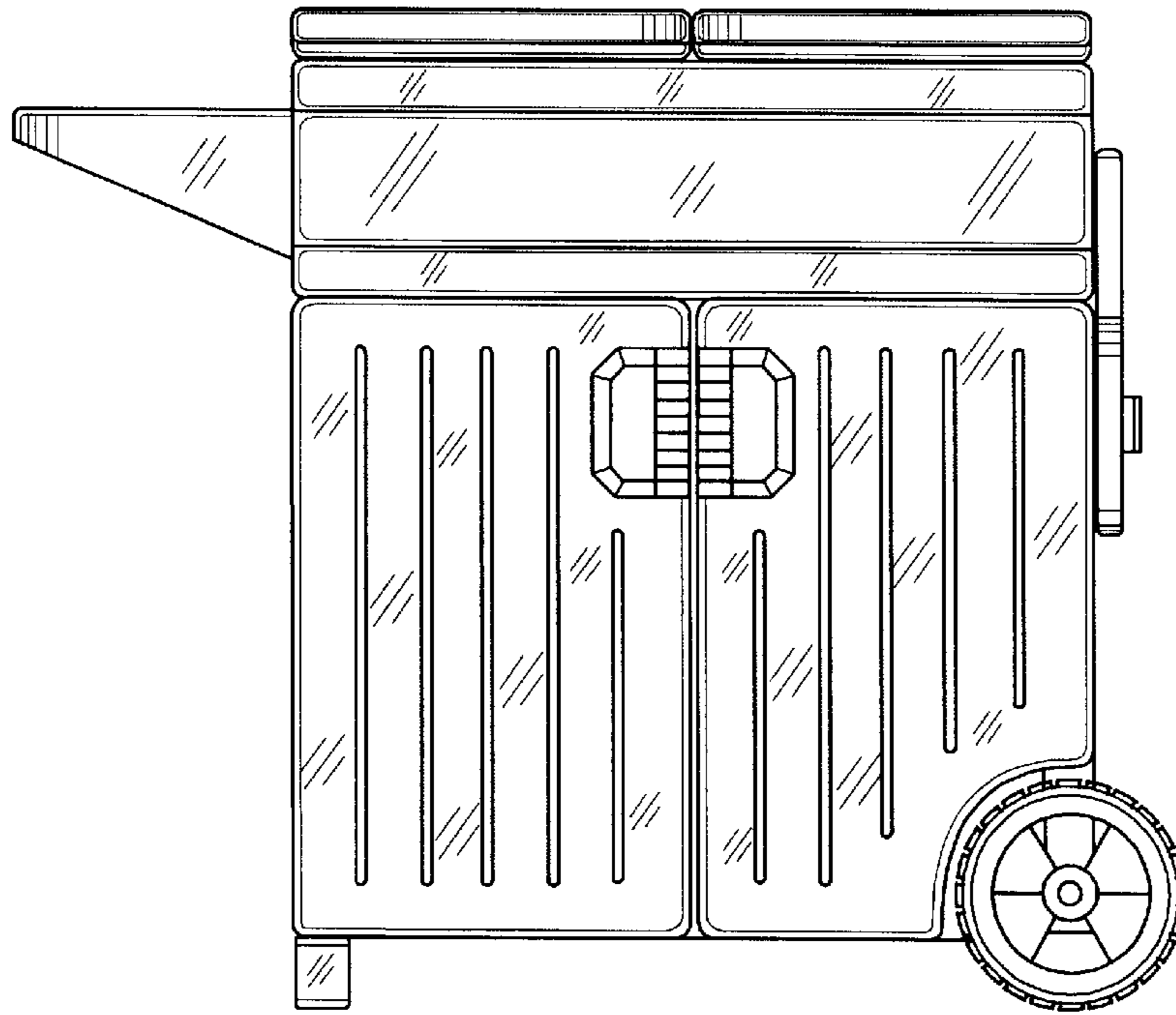


Fig. 13

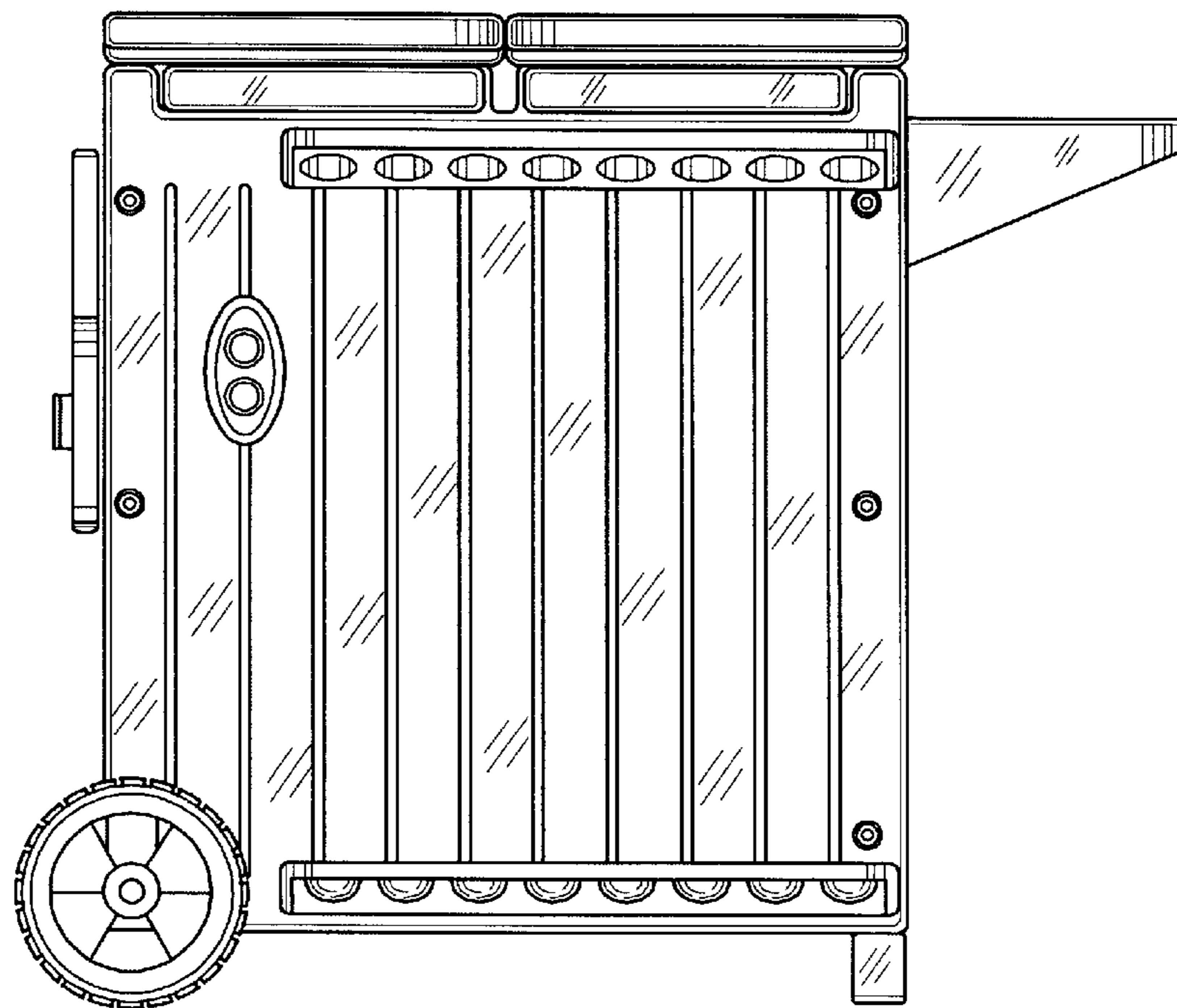


Fig. 14

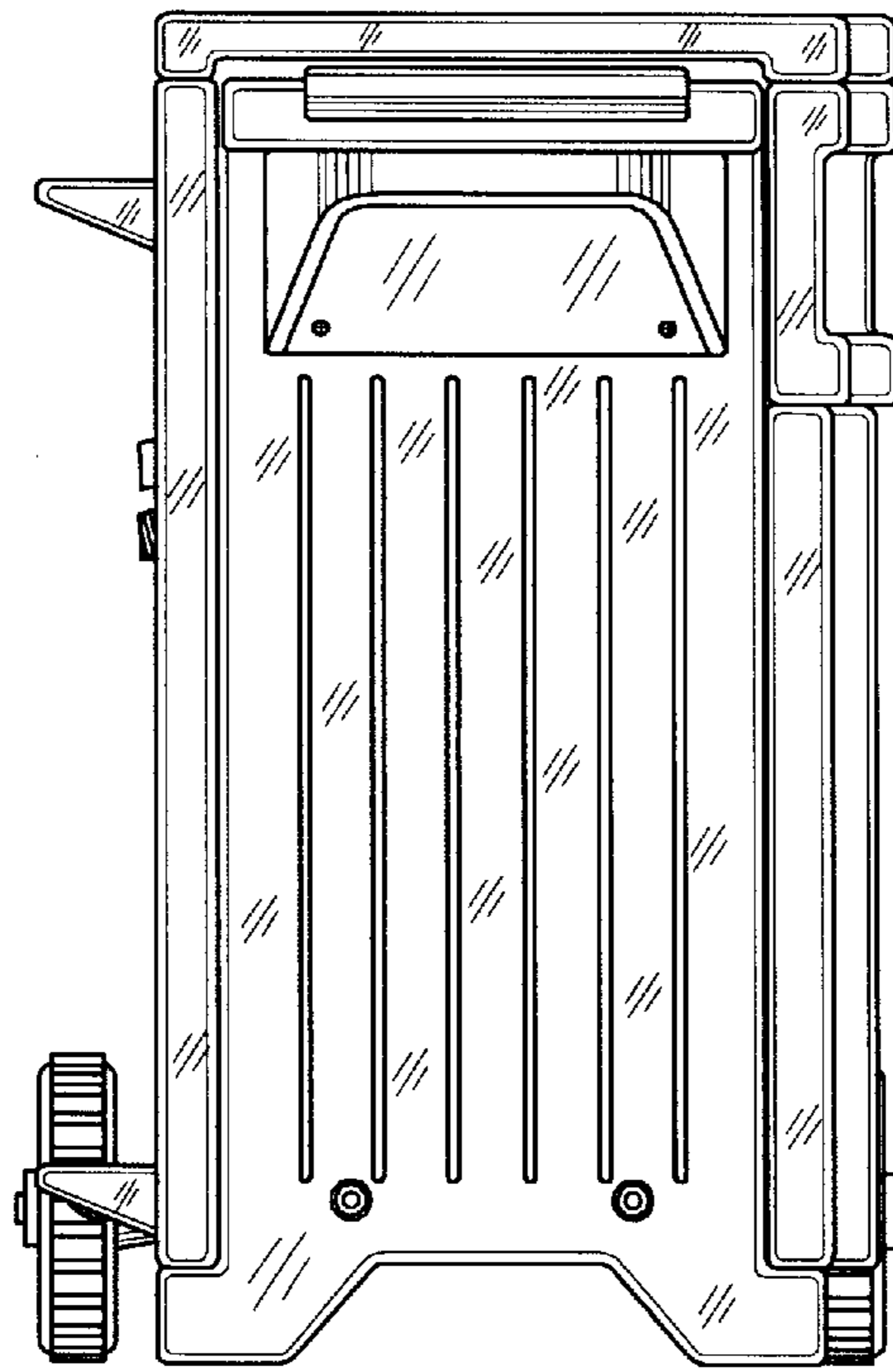


Fig. 15

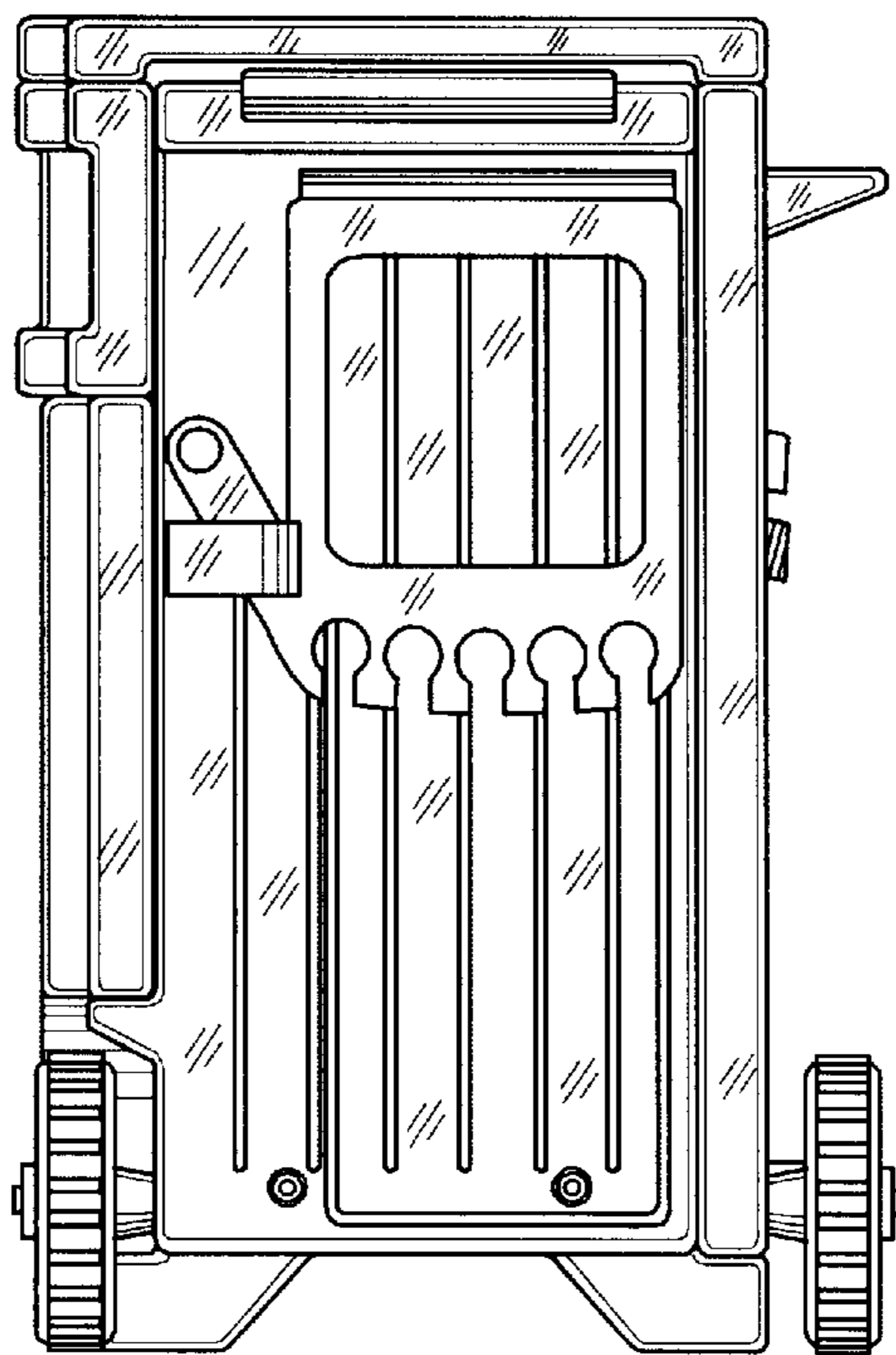


Fig. 16

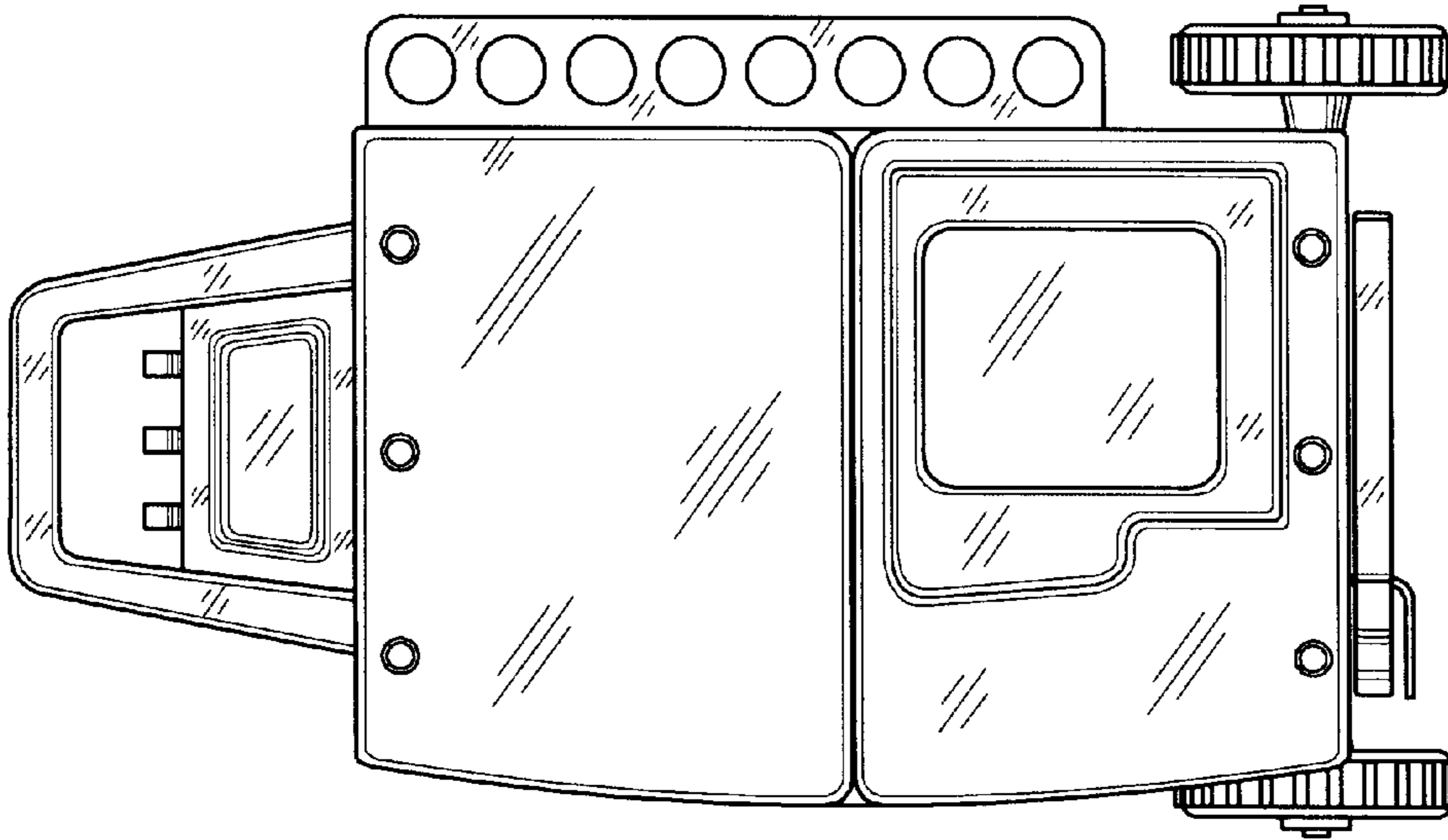


Fig. 17

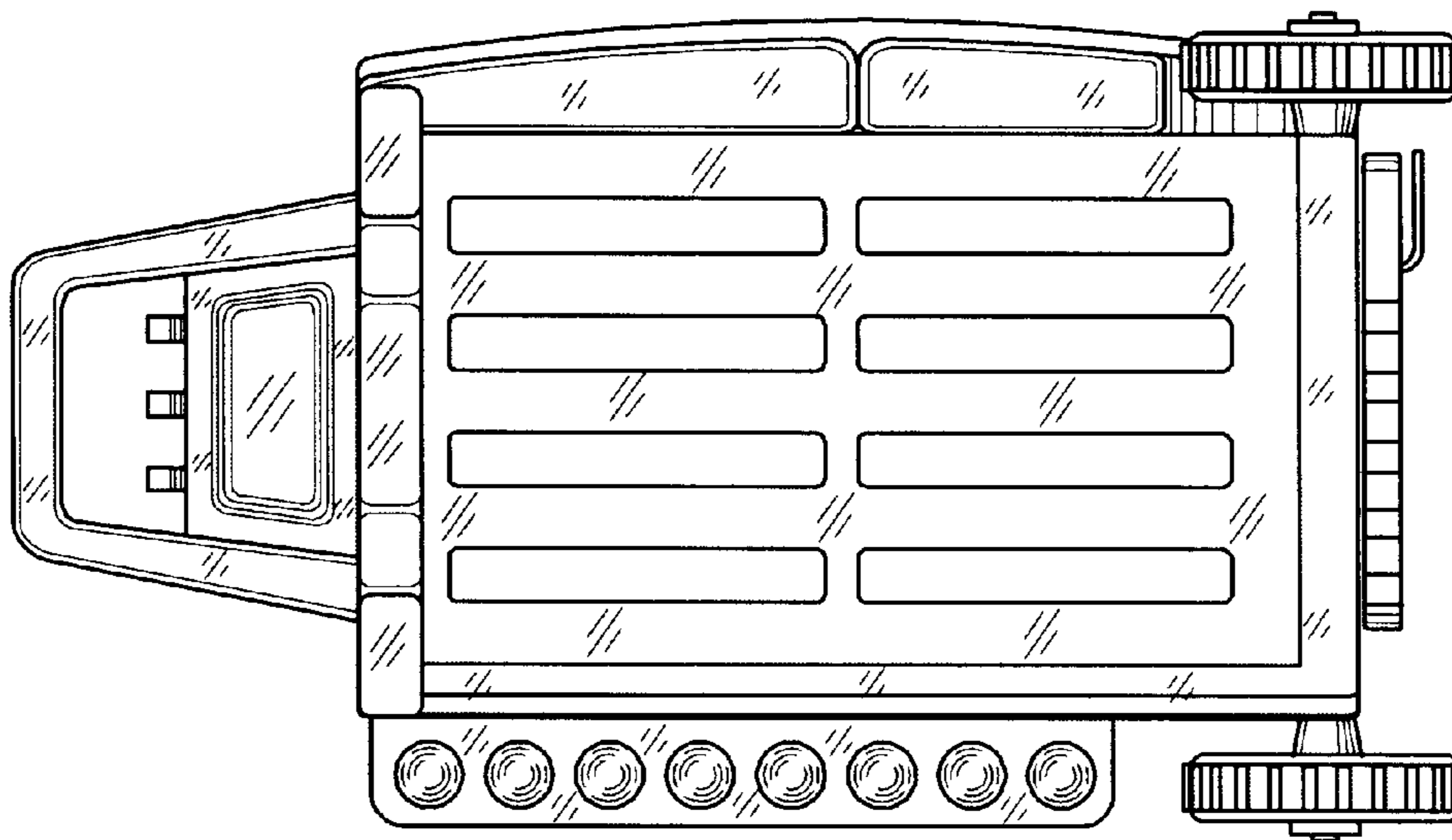


Fig. 18

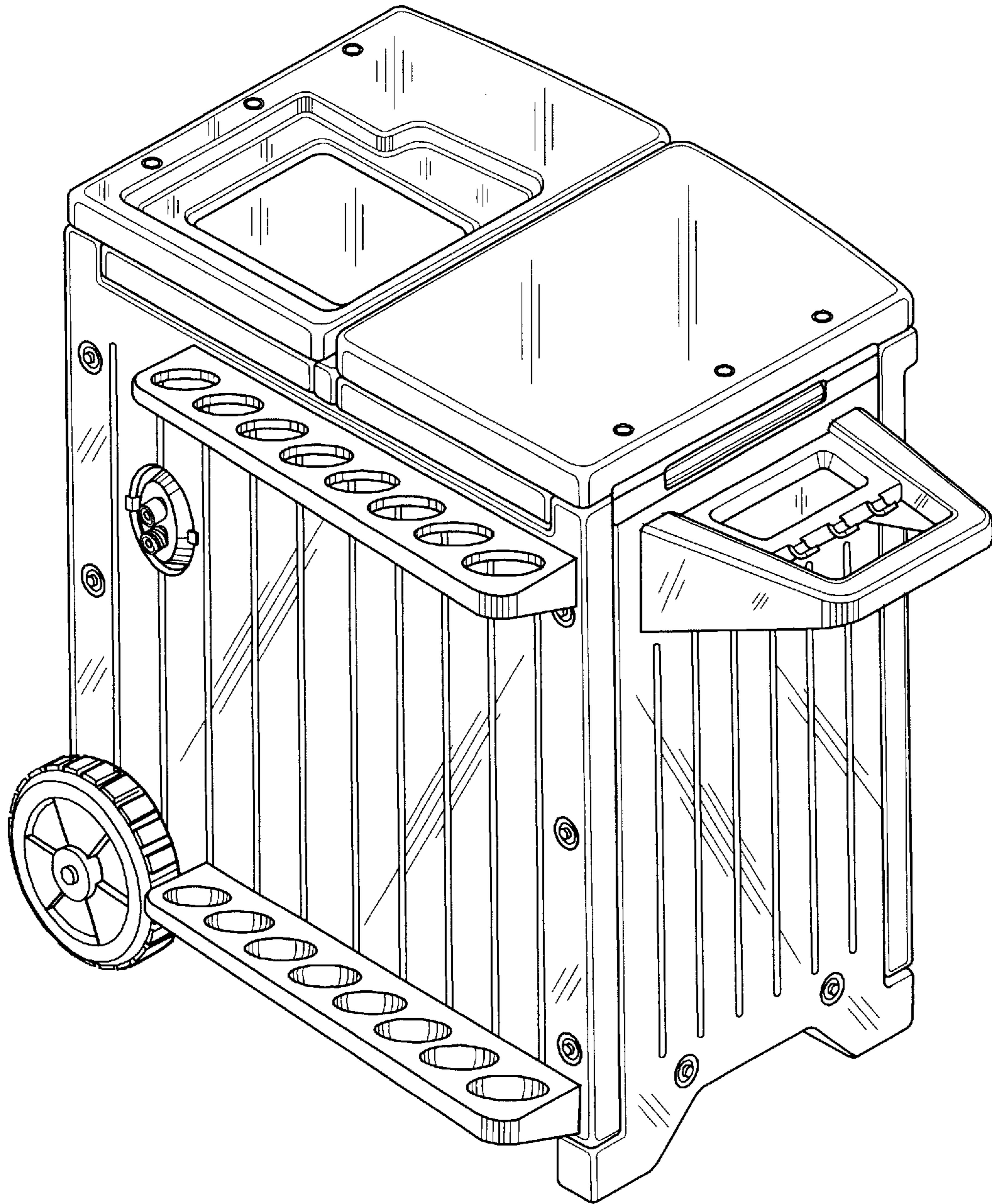


Fig. 19