



US00D489154S

(12) **United States Design Patent**  
**Tipp et al.**

(10) **Patent No.:** **US D489,154 S**

(45) **Date of Patent:** **\*\* Apr. 27, 2004**

(54) **RETENTION DEVICE FOR WASTEBASKET AND CONTAINER LINERS**

(76) Inventors: **Raymond P. Tipp**, P.O. Box 3778,  
Missoula, MT (US) 59806-3778;  
**Ronald F. Tipp**, P.O. Box 3778,  
Missoula, MT (US) 59806-3778

(\*\*) Term: **14 Years**

(21) Appl. No.: **29/169,748**

(22) Filed: **Oct. 28, 2002**

(51) **LOC (7) Cl.** ..... **09-09**

(52) **U.S. Cl.** ..... **D34/10**

(58) **Field of Search** ..... D24/189; 602/41,  
602/42, 43, 48, 54; D34/1, 10; 383/33,  
42, 78; 24/481, 482, 304

(56) **References Cited**

**U.S. PATENT DOCUMENTS**

2,068,703 A \* 1/1937 Powdermaker ..... 602/42  
3,927,445 A \* 12/1975 Pavlish ..... 24/482  
4,390,519 A \* 6/1983 Sawyer ..... 424/447

D353,696 S \* 12/1994 Spencer ..... D34/10  
5,429,589 A \* 7/1995 Cartmell et al. .... 602/42  
D386,867 S \* 11/1997 Clark ..... D34/10  
5,732,845 A \* 3/1998 Armaly, Jr. .... 220/495.11  
D404,869 S \* 1/1999 Jarman ..... D34/10  
6,284,941 B1 \* 9/2001 Cox et al. .... 602/48  
6,297,420 B1 \* 10/2001 Heincke ..... 602/41

\* cited by examiner

*Primary Examiner*—Stella Reid

(57) **CLAIM**

The ornamental design for a retention device for wastebasket and container liners, as shown and described.

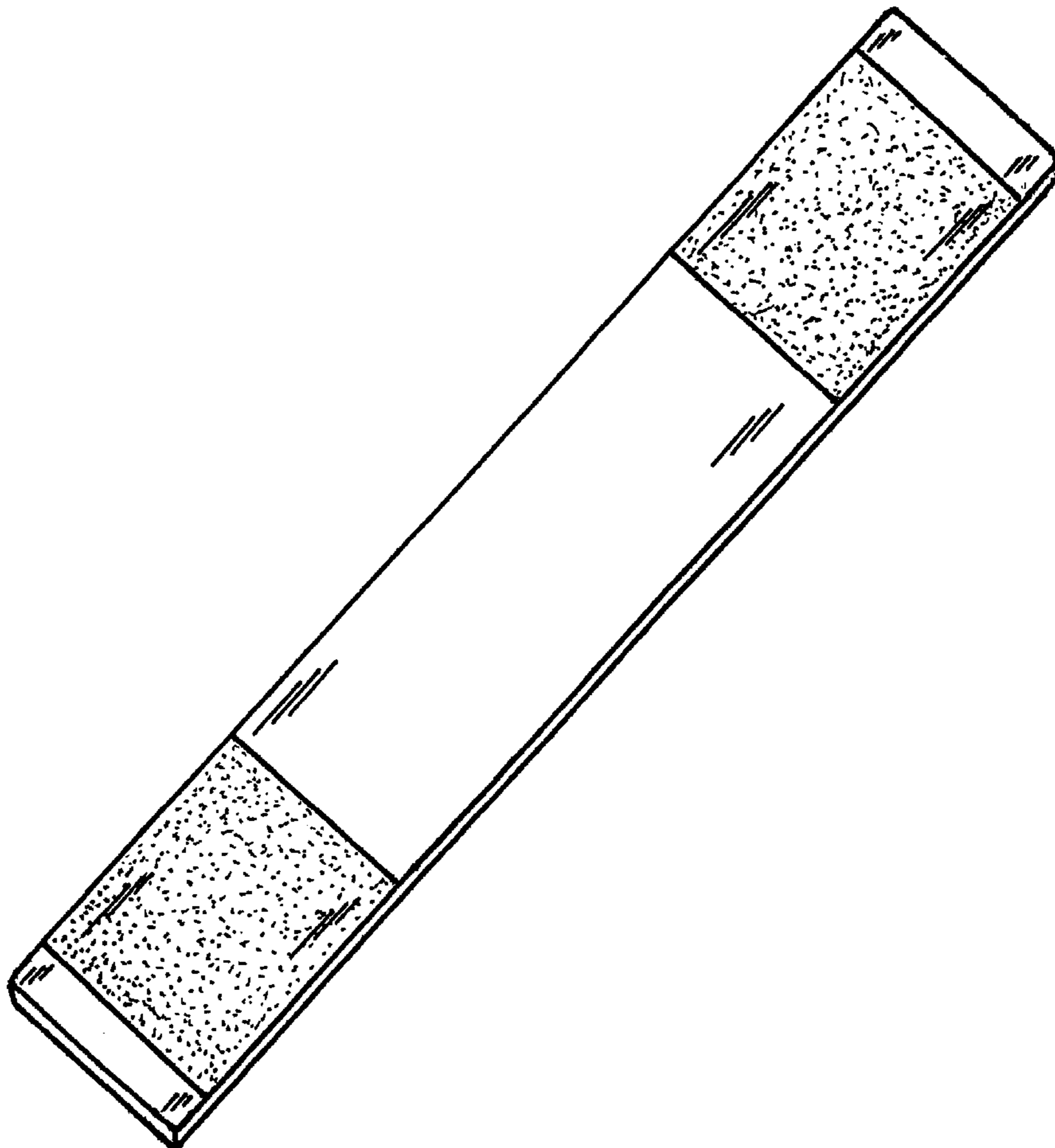
**DESCRIPTION**

FIG. 1 is a perspective bottom plan view of a retention device for wastebasket and container liners, showing our new design;

FIG. 2 is a top plan view thereof; and,

FIG. 3 is a right side view thereof, the left side view being a mirror image thereof.

**1 Claim, 2 Drawing Sheets**



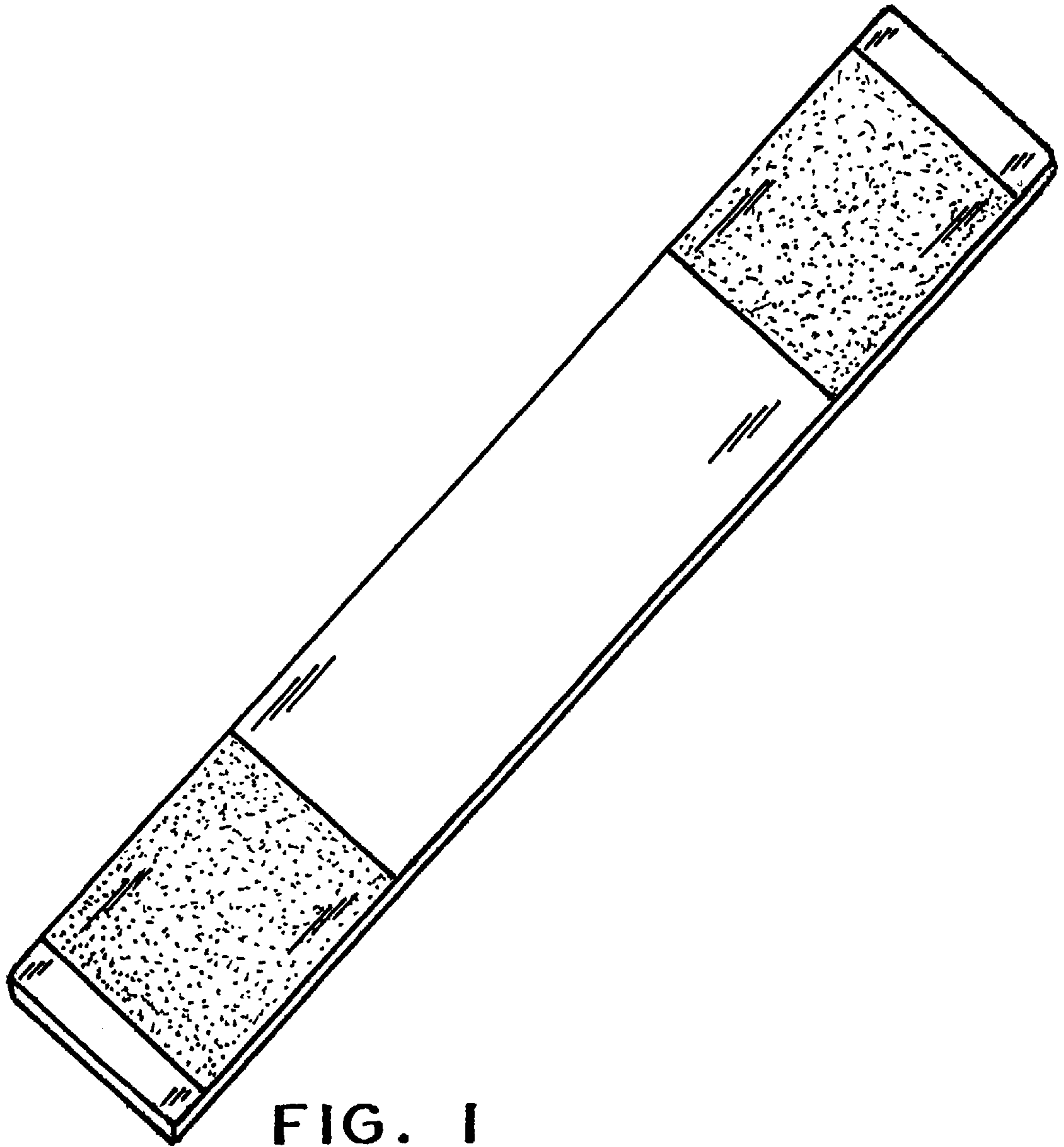
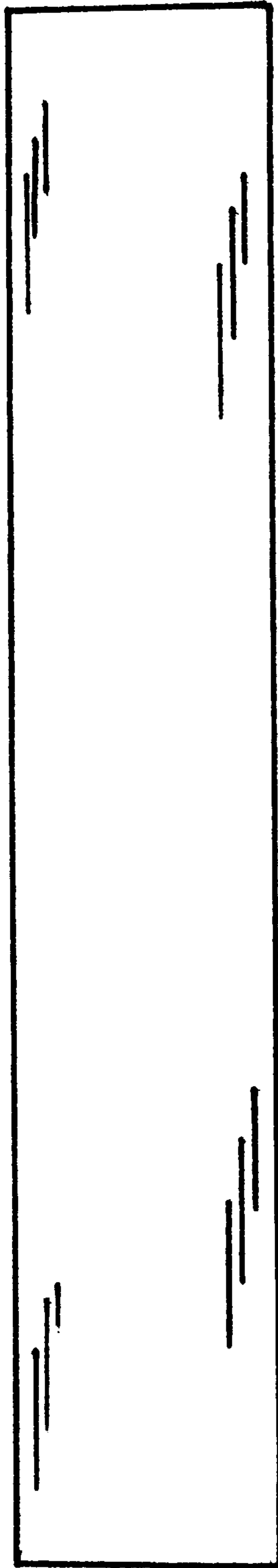


FIG. 1



**FIG. 2**



**FIG. 3**