



US00D489153S

(12) **United States Design Patent**  
**Lin**

(10) **Patent No.:** **US D489,153 S**

(45) **Date of Patent:** **\*\* Apr. 27, 2004**

(54) **GARBAGE CAN**

D401,028 S \* 11/1998 Ahern et al. .... D34/9

(76) Inventor: **Tsong-Yow Lin**, No. 51-1, Yung Ho St.,  
Yung Ho Village, Ta Tu Hsiang,  
Taichung Hsien (TW)

\* cited by examiner

*Primary Examiner*—Cynthia E. Ramirez  
(74) *Attorney, Agent, or Firm*—Alan D. Kamrath; Rider  
Bennett, LLP.

(\*\*) Term: **14 Years**

(21) Appl. No.: **29/168,964**

(22) Filed: **Oct. 11, 2002**

(51) **LOC (7) Cl.** ..... **09-09**

(52) **U.S. Cl.** ..... **D34/9**

(58) **Field of Search** ..... D34/1, 5, 6, 7,  
D34/8, 9, 10, 11; 220/908, 908.1, 909,  
910, 911, 262, 263, 264

(56) **References Cited**

**U.S. PATENT DOCUMENTS**

D310,903 S \* 9/1990 Anderson ..... D34/9

D332,334 S \* 1/1993 Jones ..... D34/9

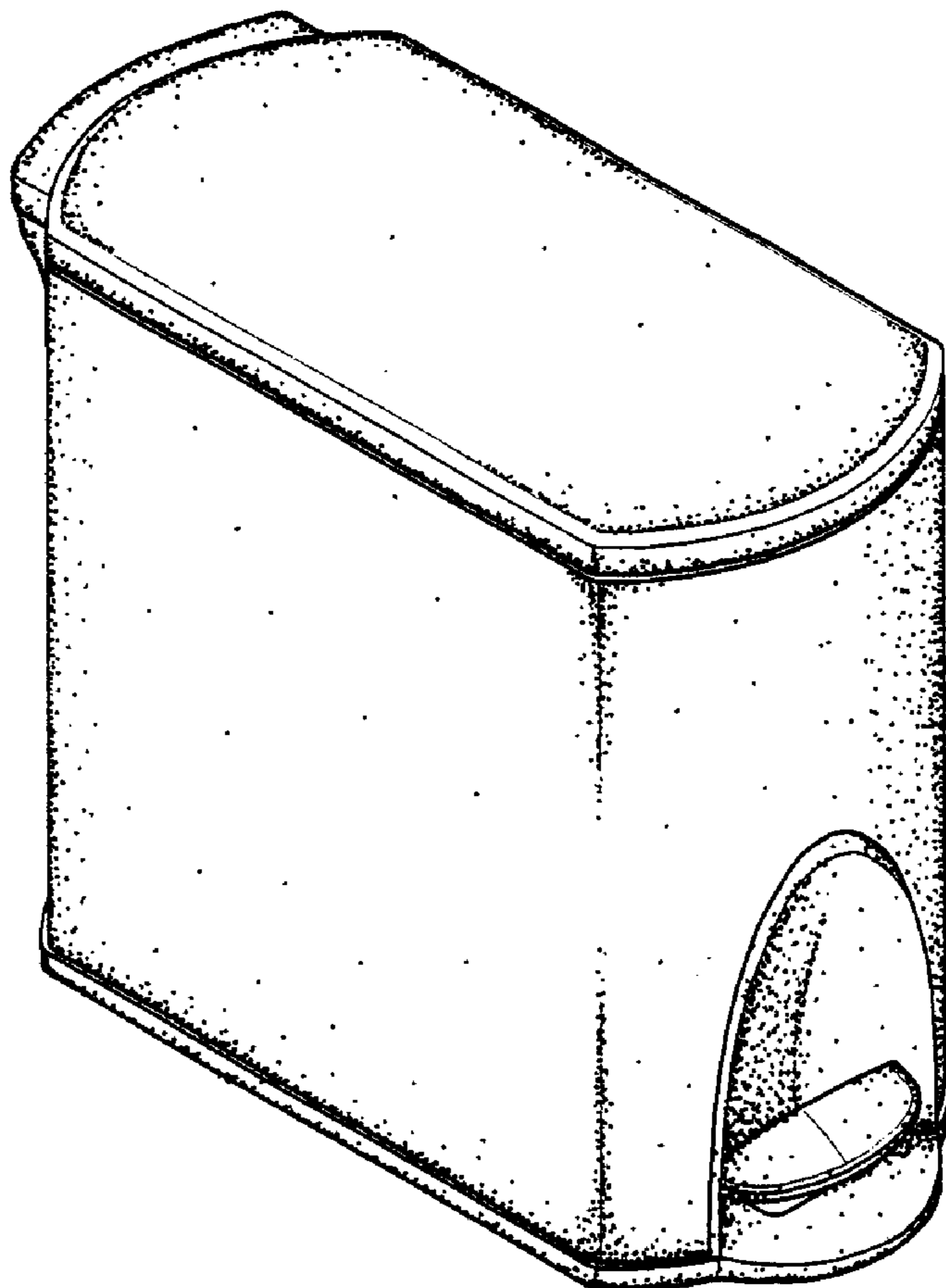
(57) **CLAIM**

The ornamental design for garbage can, as shown and described.

**DESCRIPTION**

FIG. 1 is a perspective view of a garbage can showing my new design;  
FIG. 2 is a front elevational view thereof;  
FIG. 3 is a rear elevational view thereof;  
FIG. 4 is a left elevational view thereof; the opposite side being a mirror image of the shown.  
FIG. 5 is a top plan view thereof; and,  
FIG. 6 is a bottom plan view thereof.

**1 Claim, 2 Drawing Sheets**



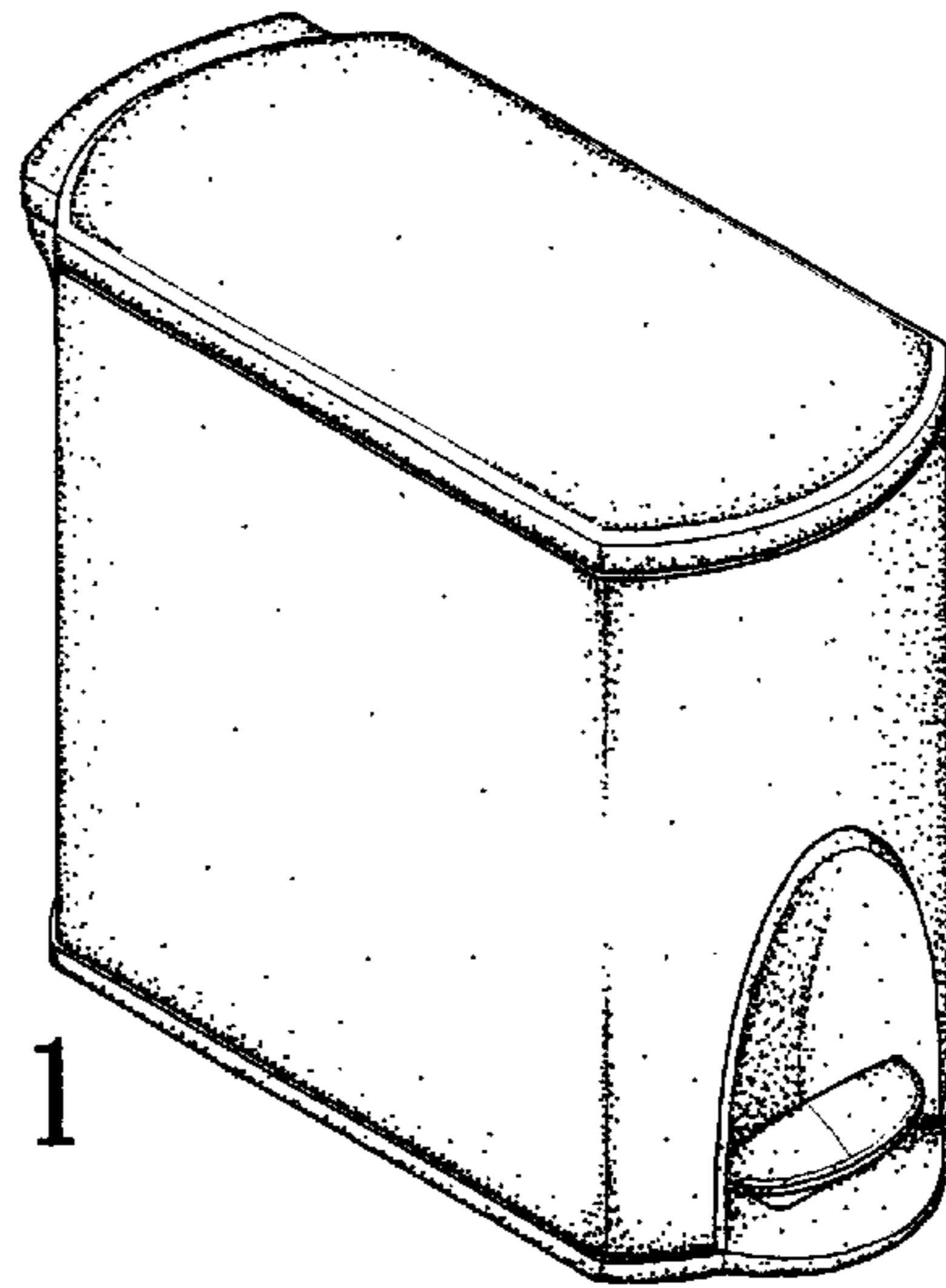


Fig. 1

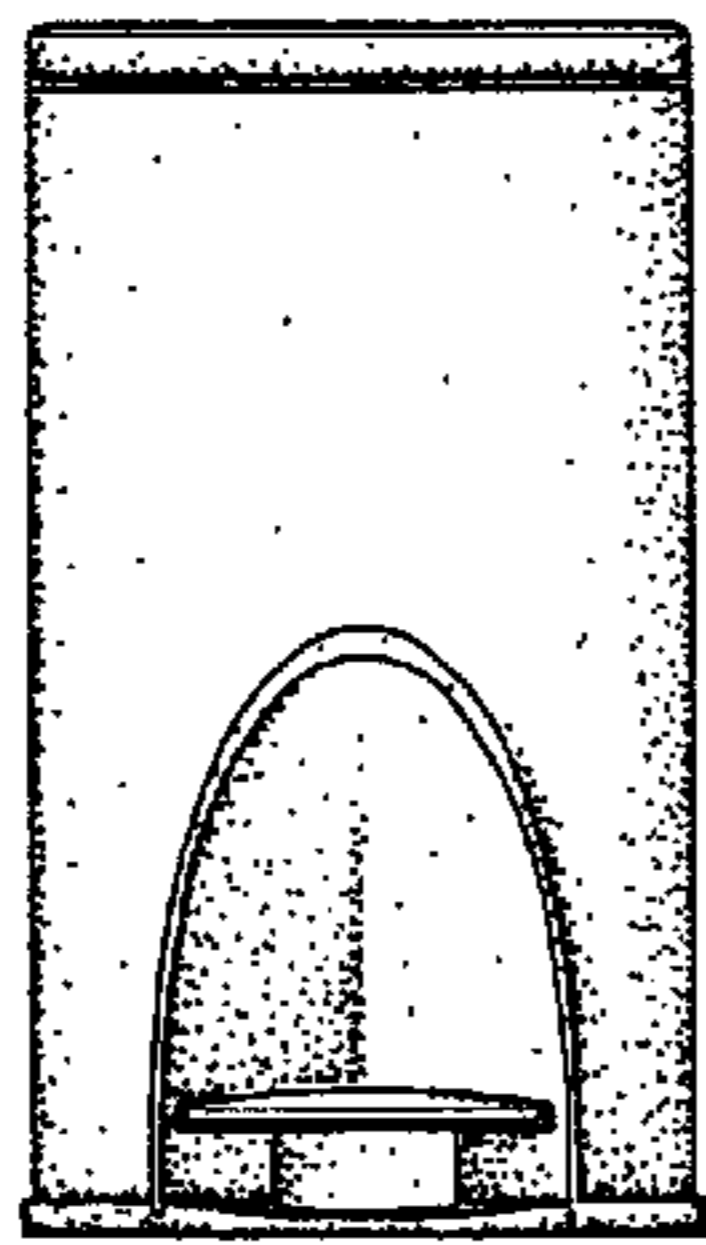


Fig. 2

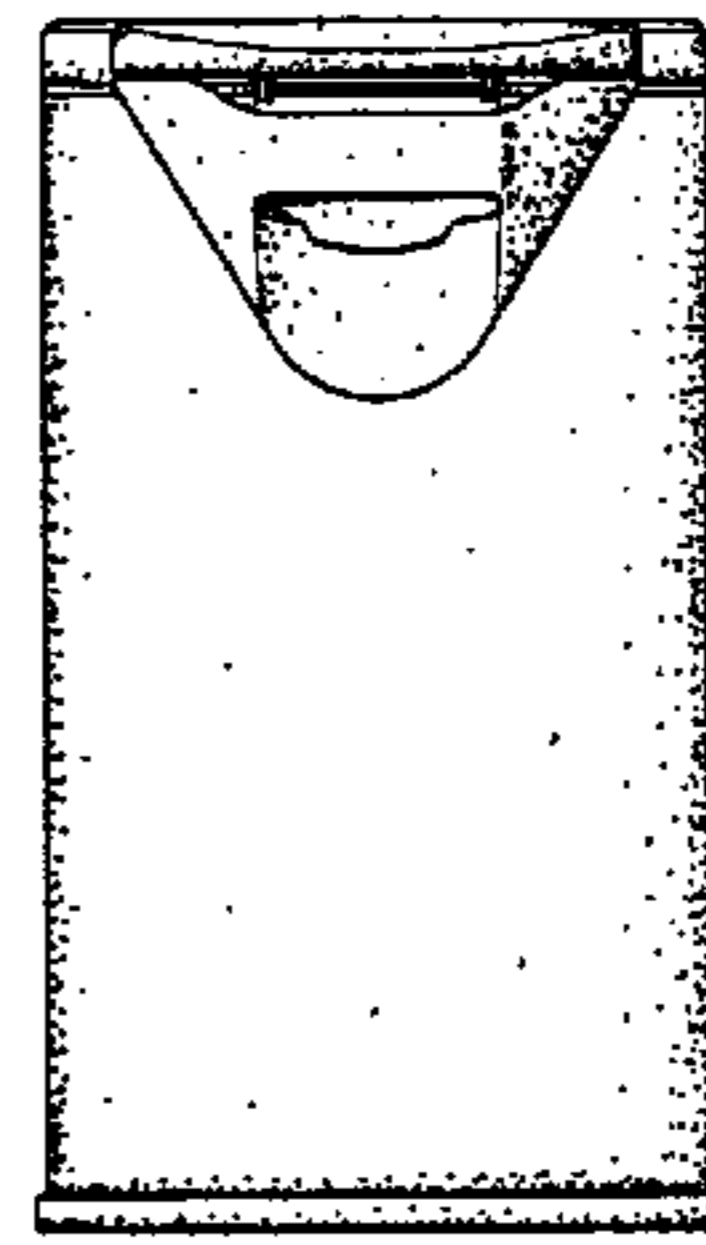


Fig. 3

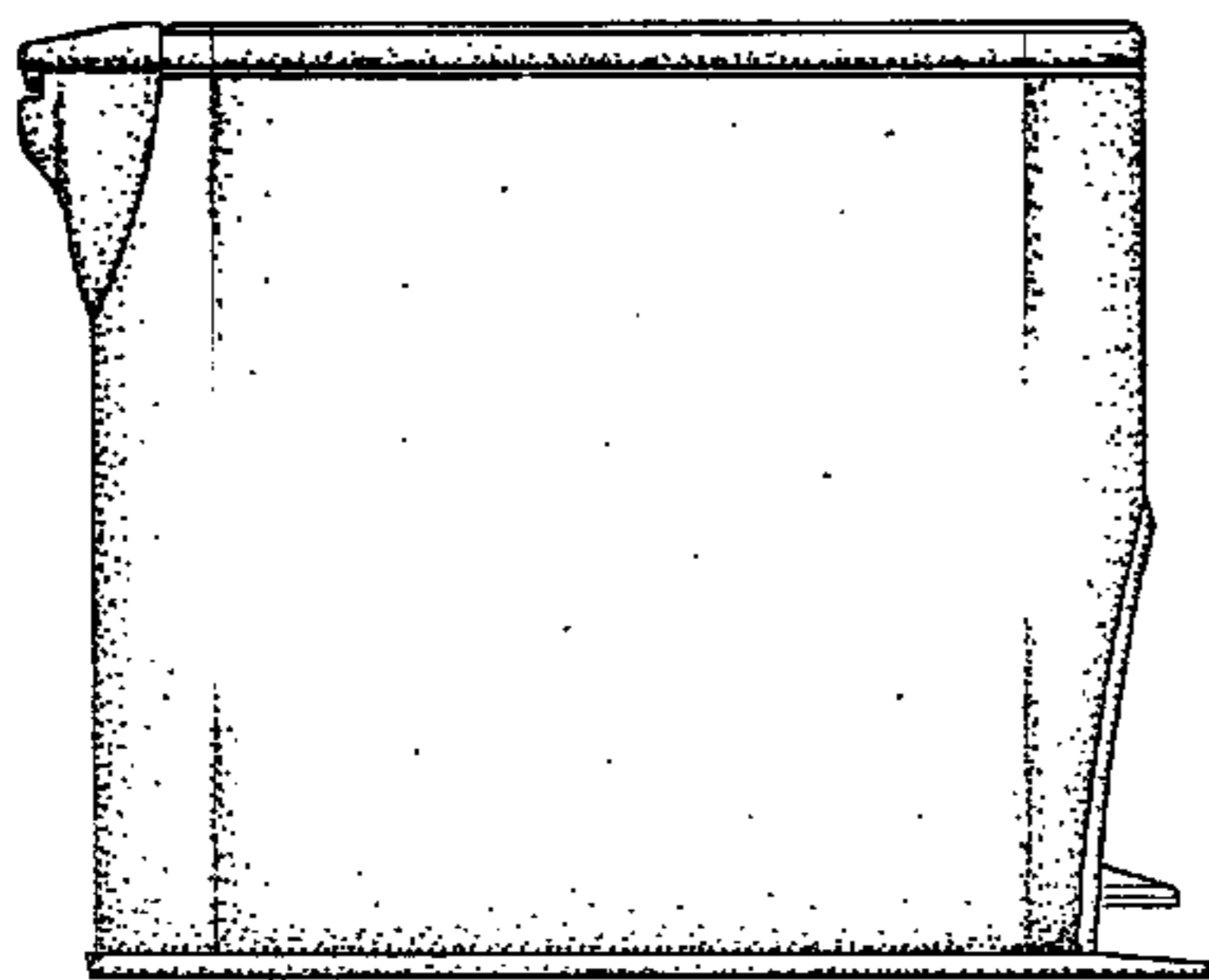


Fig. 4

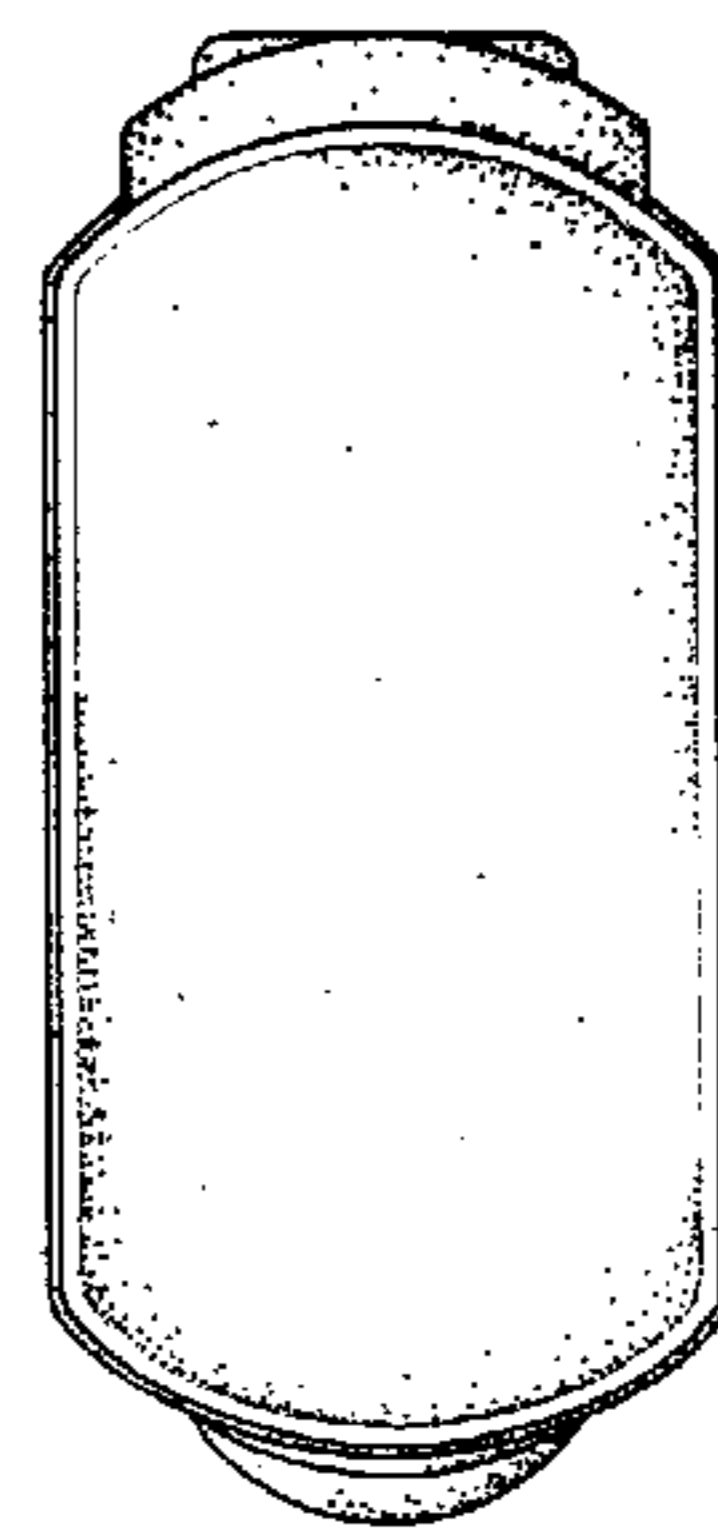


Fig. 5

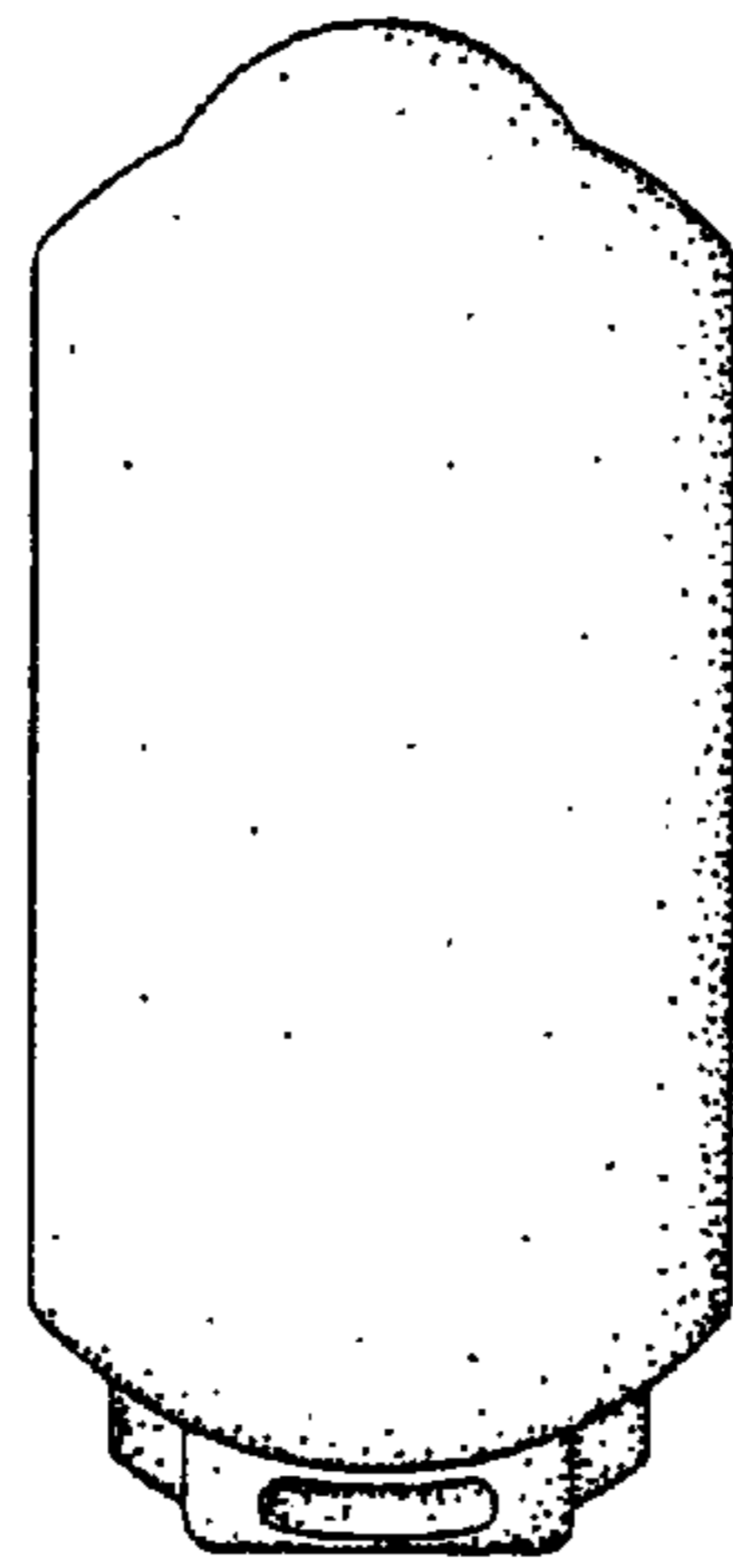


Fig. 6