



US00D489148S

(12) **United States Design Patent**
Sheng

(10) **Patent No.:** **US D489,148 S**

(45) **Date of Patent:** **** Apr. 27, 2004**

(54) **COSMETIC CASE**

D465,614 S * 11/2002 Petit D28/76

(76) Inventor: **Wen-Cheng Sheng**, No. 71, Lane 96,
Da-Shing St., Tainan City (TW)

* cited by examiner

(**) Term: **14 Years**

Primary Examiner—Jennifer Rivard
(74) *Attorney, Agent, or Firm*—Ladas & Parry

(21) Appl. No.: **29/174,234**

(57) **CLAIM**

(22) Filed: **Jan. 14, 2003**

The ornamental design for a cosmetic case, as shown and described.

(51) **LOC (7) Cl.** **28-03**

DESCRIPTION

(52) **U.S. Cl.** **D28/79**

(58) **Field of Search** D28/73, 76, 78-84;
D3/295; 206/581, 823; 132/293-307, 314-315;
220/DIG. 26; D9/341

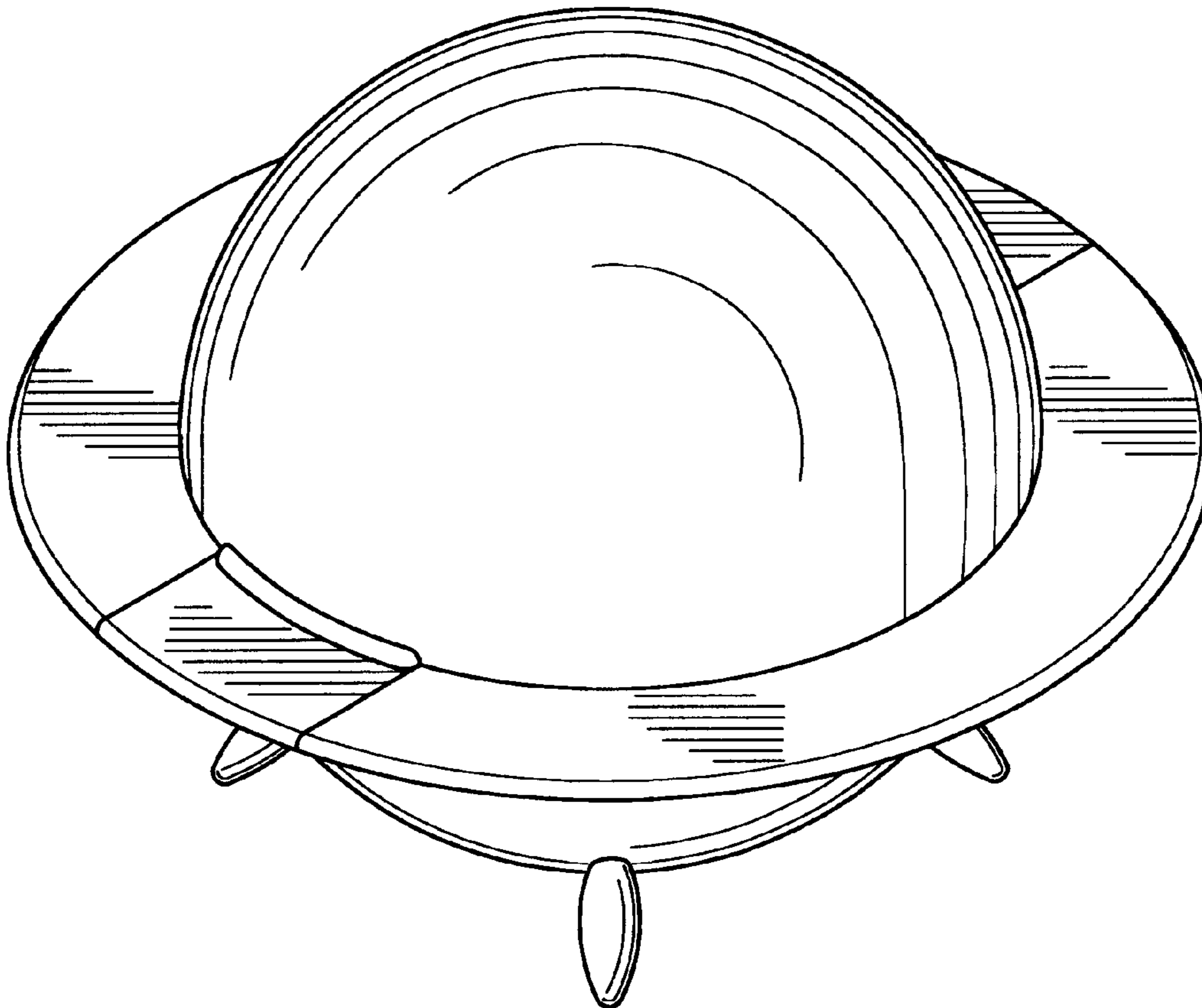
FIG. 1 is a perspective view of cosmetic case showing my new design;
FIG. 2 is a front elevational view thereof;
FIG. 3 is a rear elevational view thereof;
FIG. 4 is a left side elevational view thereof;
FIG. 5 is a right side elevational view thereof;
FIG. 6 is a top plan view thereof; and,
FIG. 7 is a bottom plan view thereof.

(56) **References Cited**

U.S. PATENT DOCUMENTS

2,554,489 A * 5/1951 Crane 132/298
5,326,564 A * 7/1994 LaRosa et al. 220/DIG. 26
D349,976 S * 8/1994 Connell D28/76

1 Claim, 4 Drawing Sheets



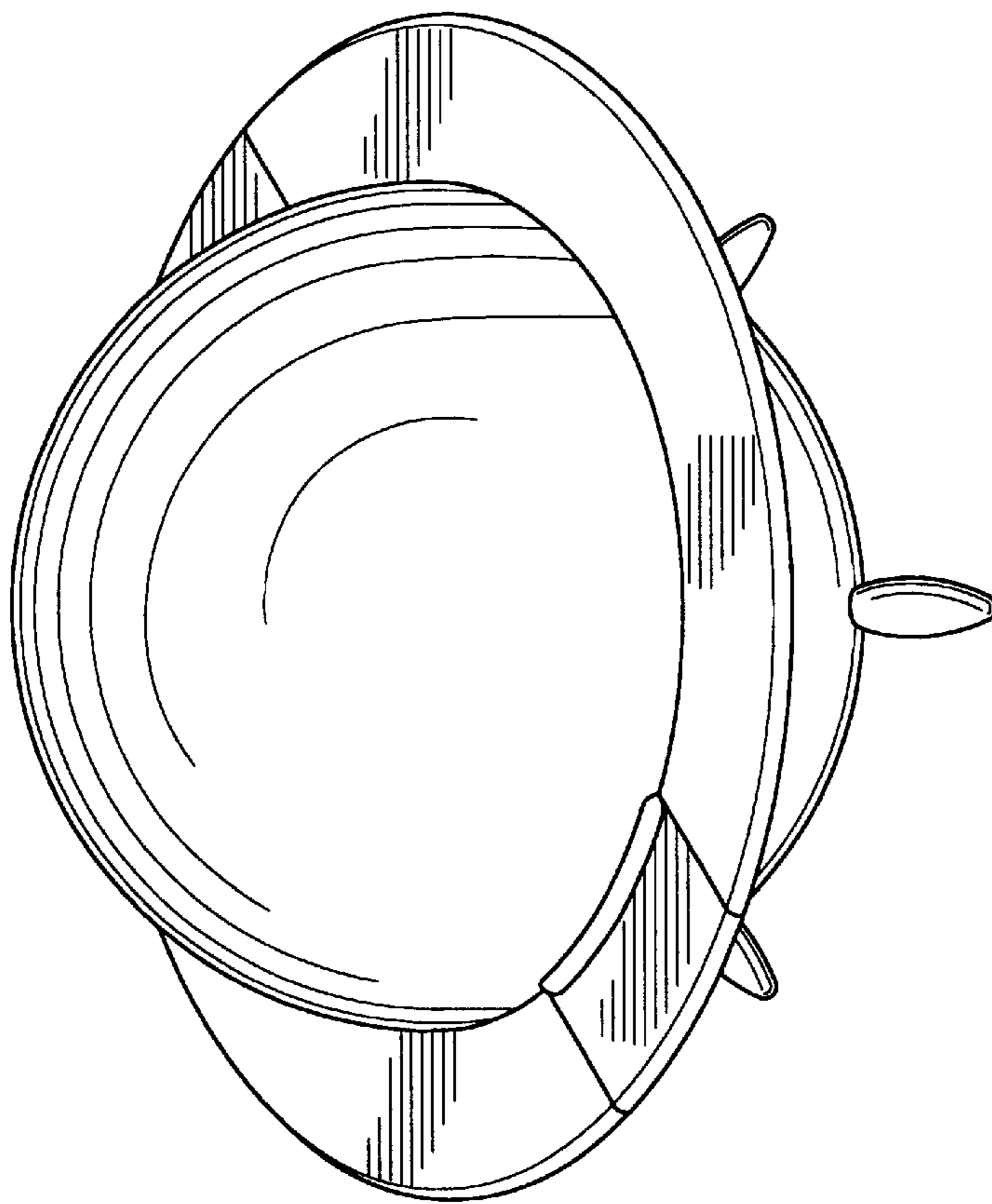


FIG. 1

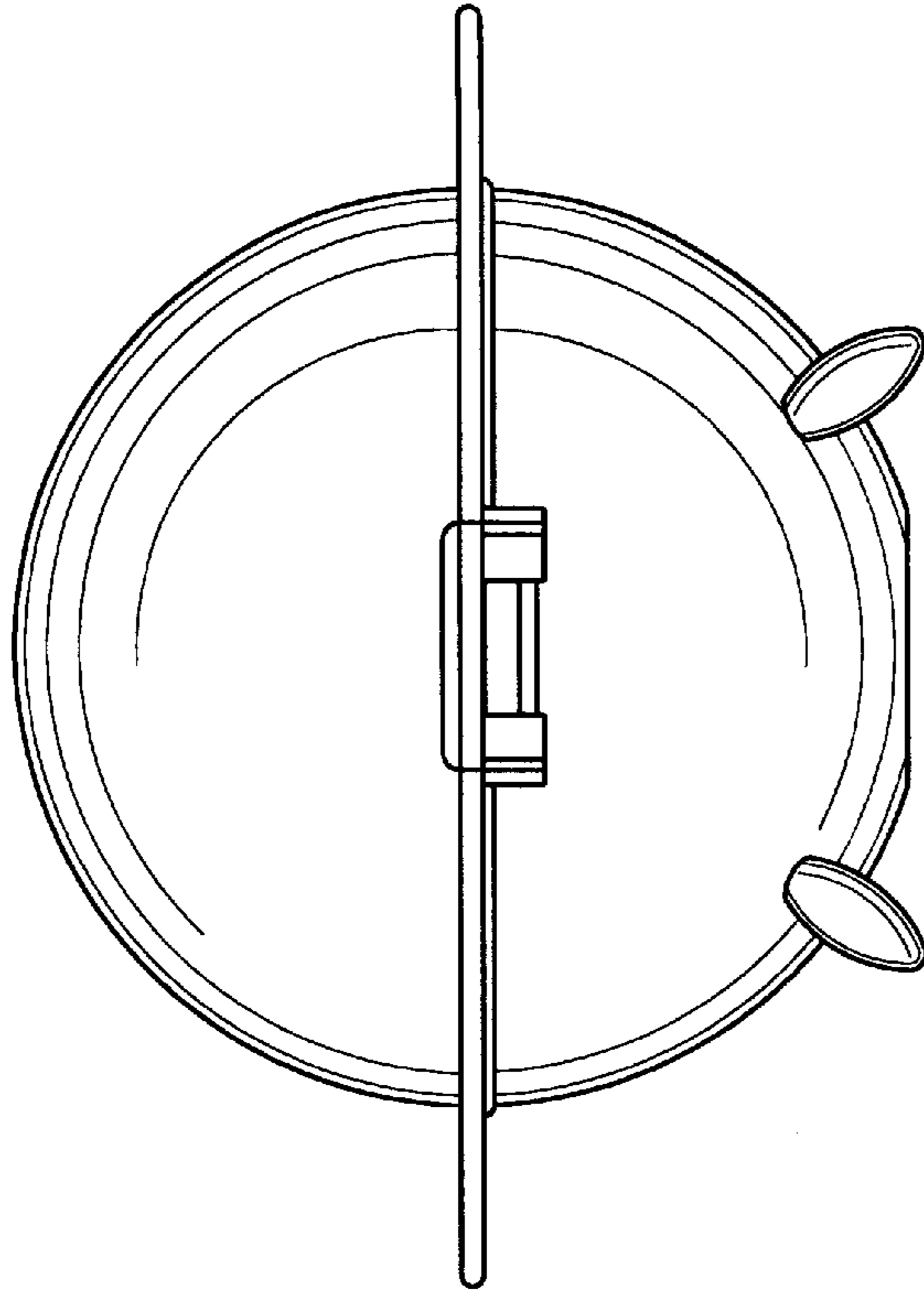


FIG. 3

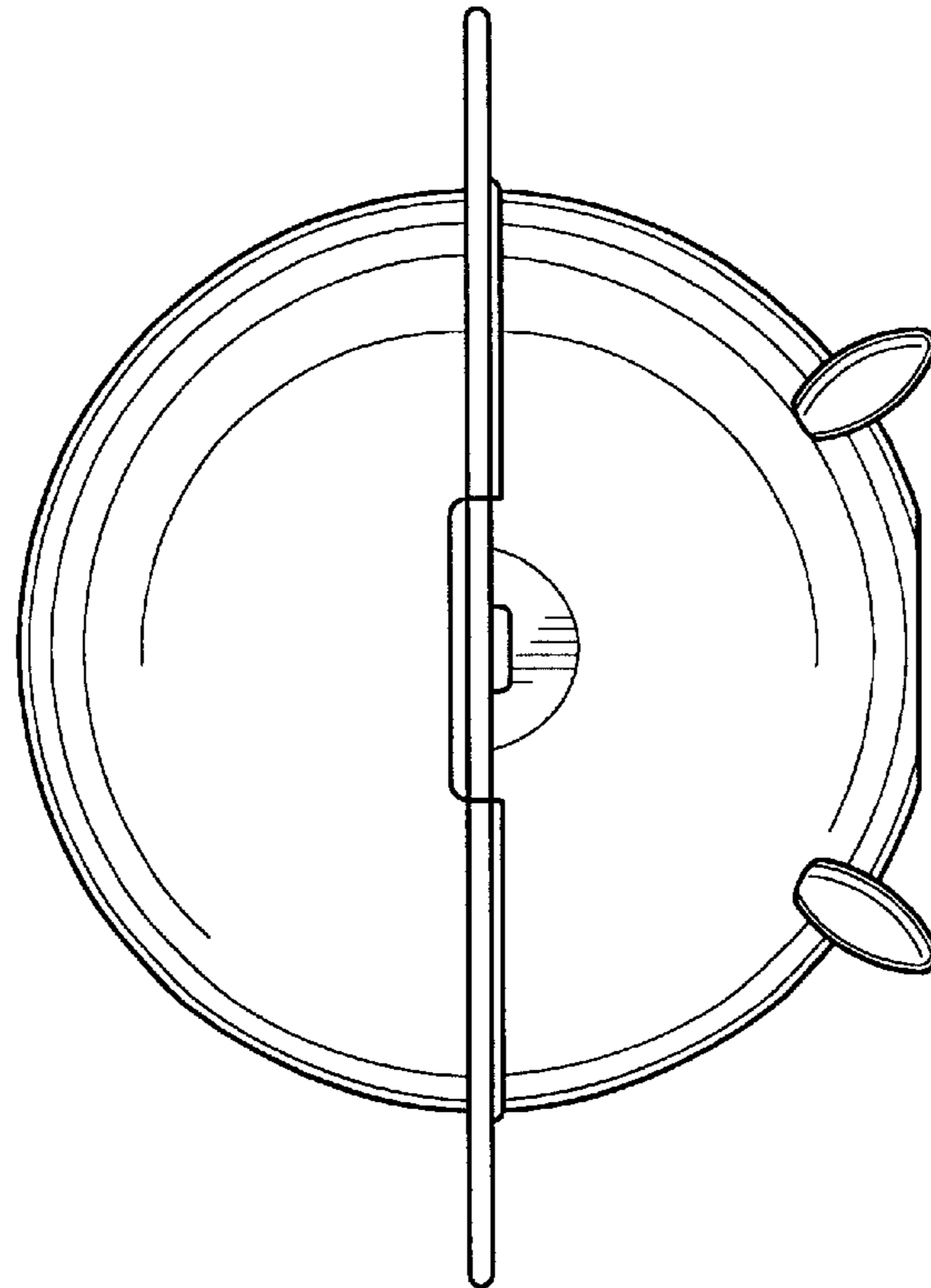


FIG. 2

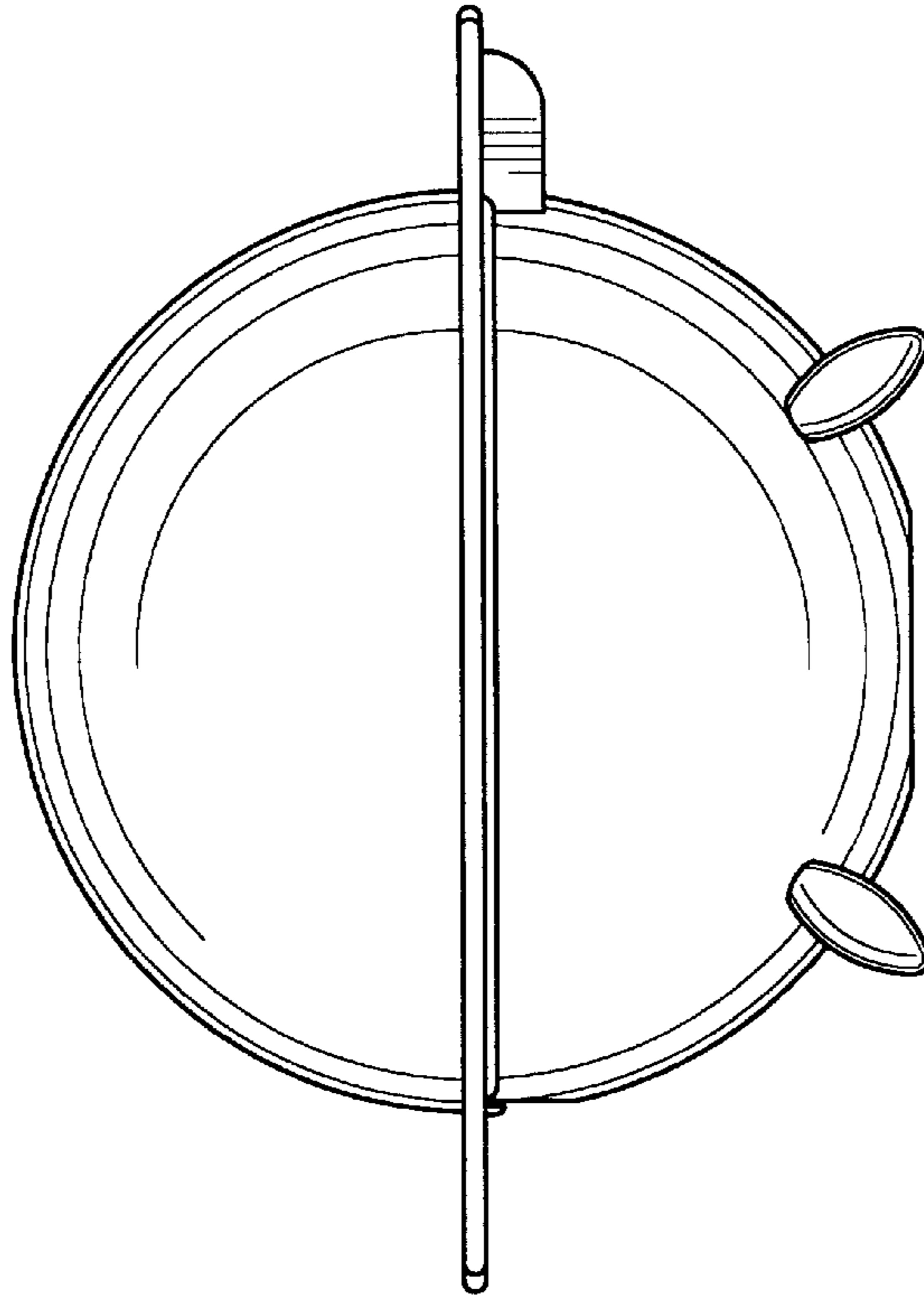


FIG. 5

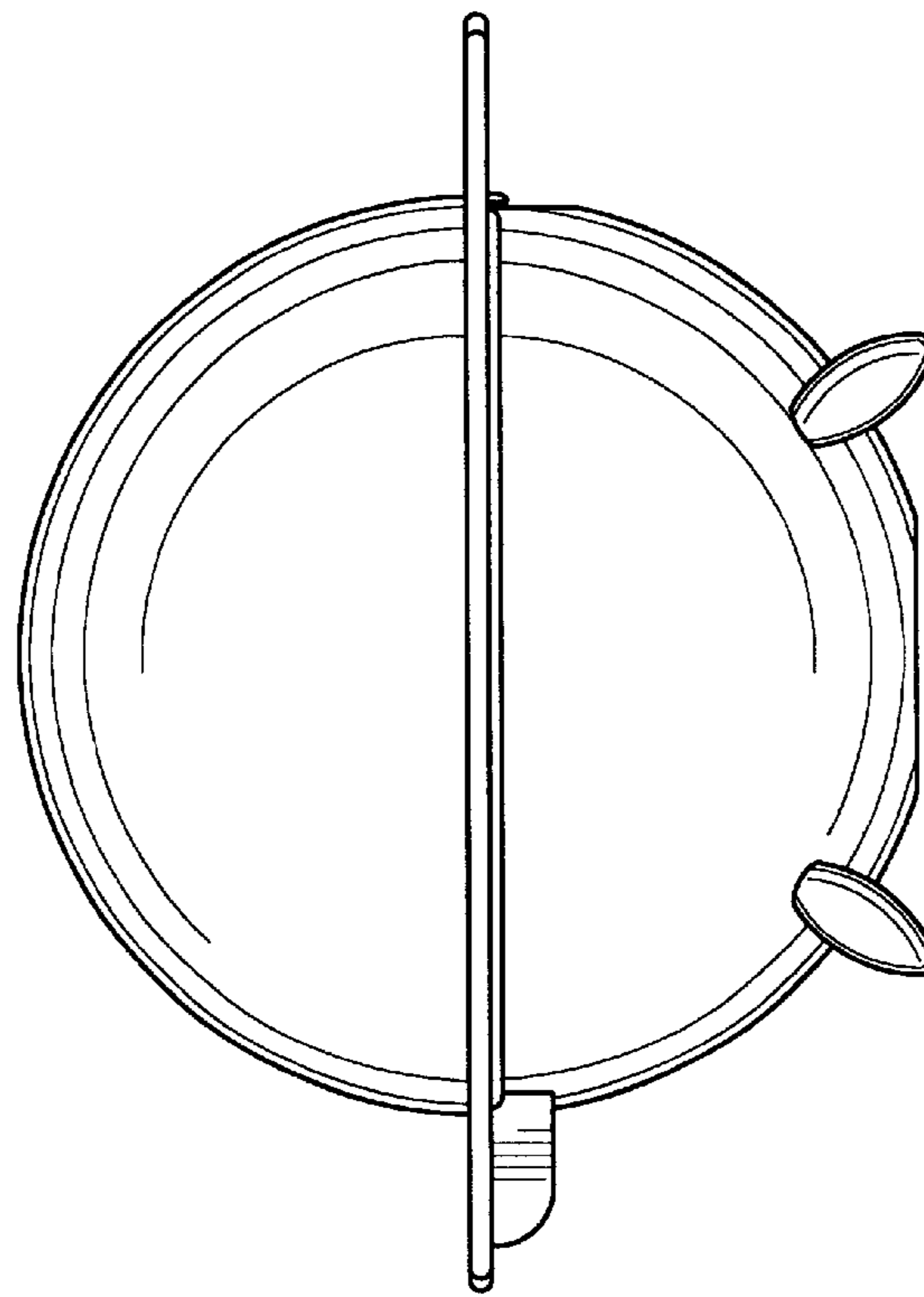


FIG. 4

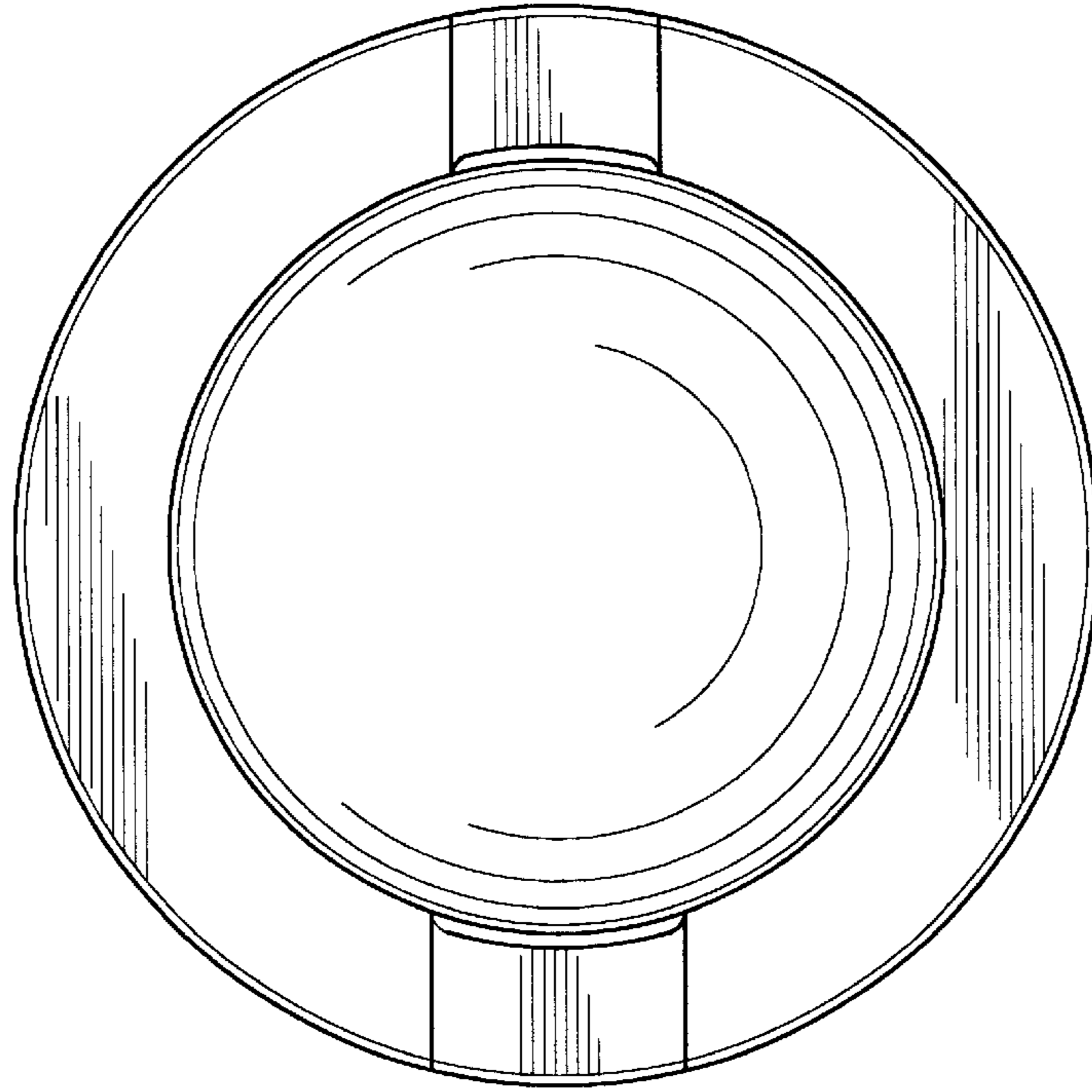


FIG. 6

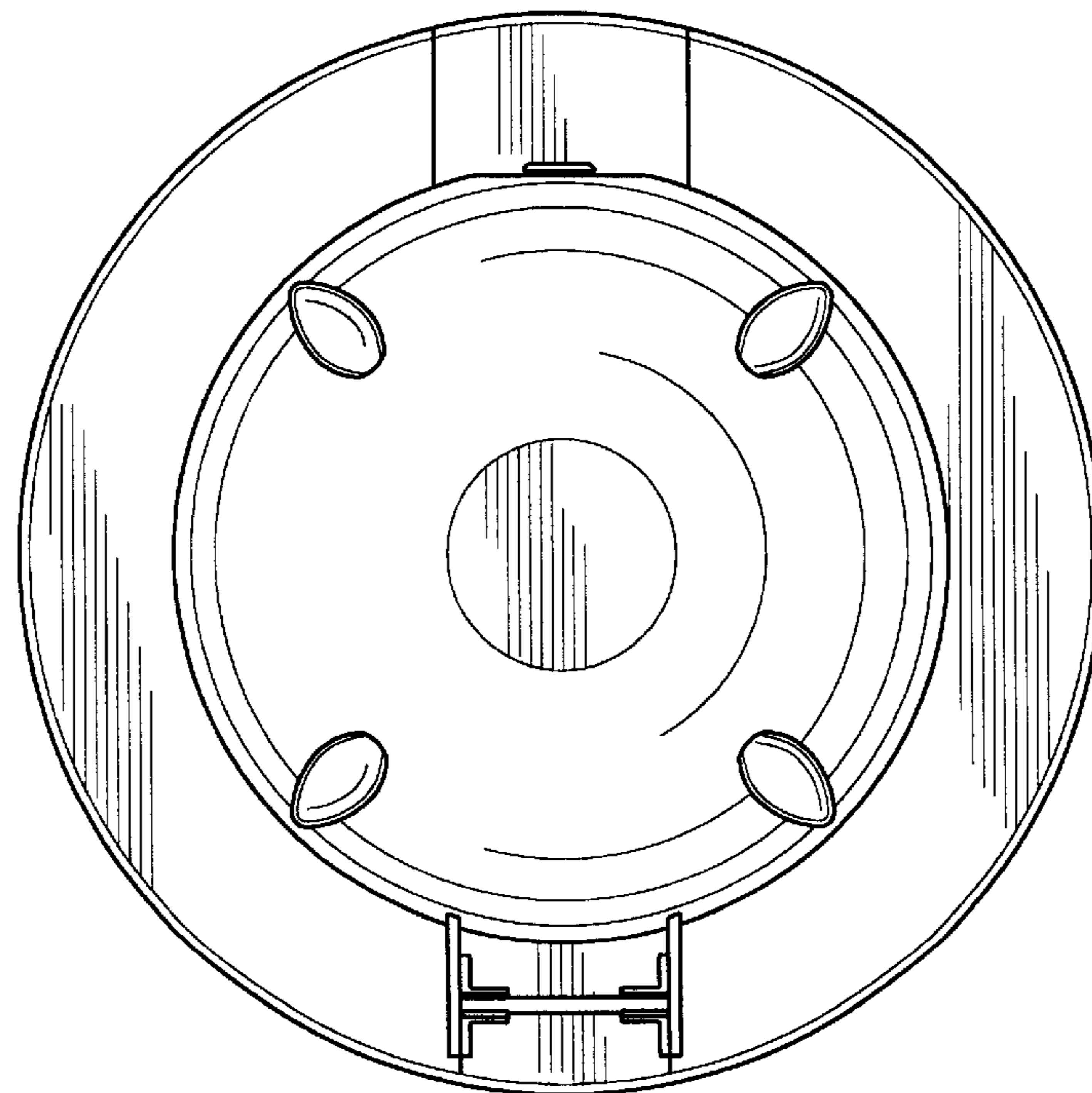


FIG. 7