



US00D489145S

(12) **United States Design Patent**
Smith et al.

(10) **Patent No.:** **US D489,145 S**

(45) **Date of Patent:** **** Apr. 27, 2004**

(54) **LIGHT FIXTURE**

(76) Inventors: **Carroll W. Smith**, 1093 Shotgun Rd., Sunrise, FL (US) 33326; **Derek J. Nash**, 1093 Shotgun Rd., Sunrise, FL (US) 33326; **Ruben Villarreal**, 1093 Shotgun Rd., Sunrise, FL (US) 33326

(**) Term: **14 Years**

(21) Appl. No.: **29/152,873**

(22) Filed: **Jan. 4, 2002**

(51) **LOC (7) Cl.** **26-05**

(52) **U.S. Cl.** **D26/63; 362/283; 362/811**

(58) **Field of Search** **D16/221, 225; D26/60, 63; 362/231, 280, 283, 284, 285, 374, 375, 811**

(56) **References Cited**

U.S. PATENT DOCUMENTS

D118,671 S	1/1940	Mielziner	D26/63
3,179,791 A	4/1965	Mole	362/283
4,974,133 A	11/1990	Fujiki	362/283
5,239,452 A	* 8/1993	Chen	362/811

5,282,121 A	*	1/1994	Bornhorst et al.	362/268
D346,234 S		4/1994	Sammis	D26/60
6,045,242 A	*	4/2000	Wegrzyn et al.	362/375
D439,356 S		3/2001	Martinson et al.	D26/63
D464,455 S	*	10/2002	Fong et al.	D26/63
D465,046 S	*	10/2002	Layne et al.	D26/63
6,491,415 B2		12/2002	Orellana	362/375

* cited by examiner

Primary Examiner—Adir Aronovich

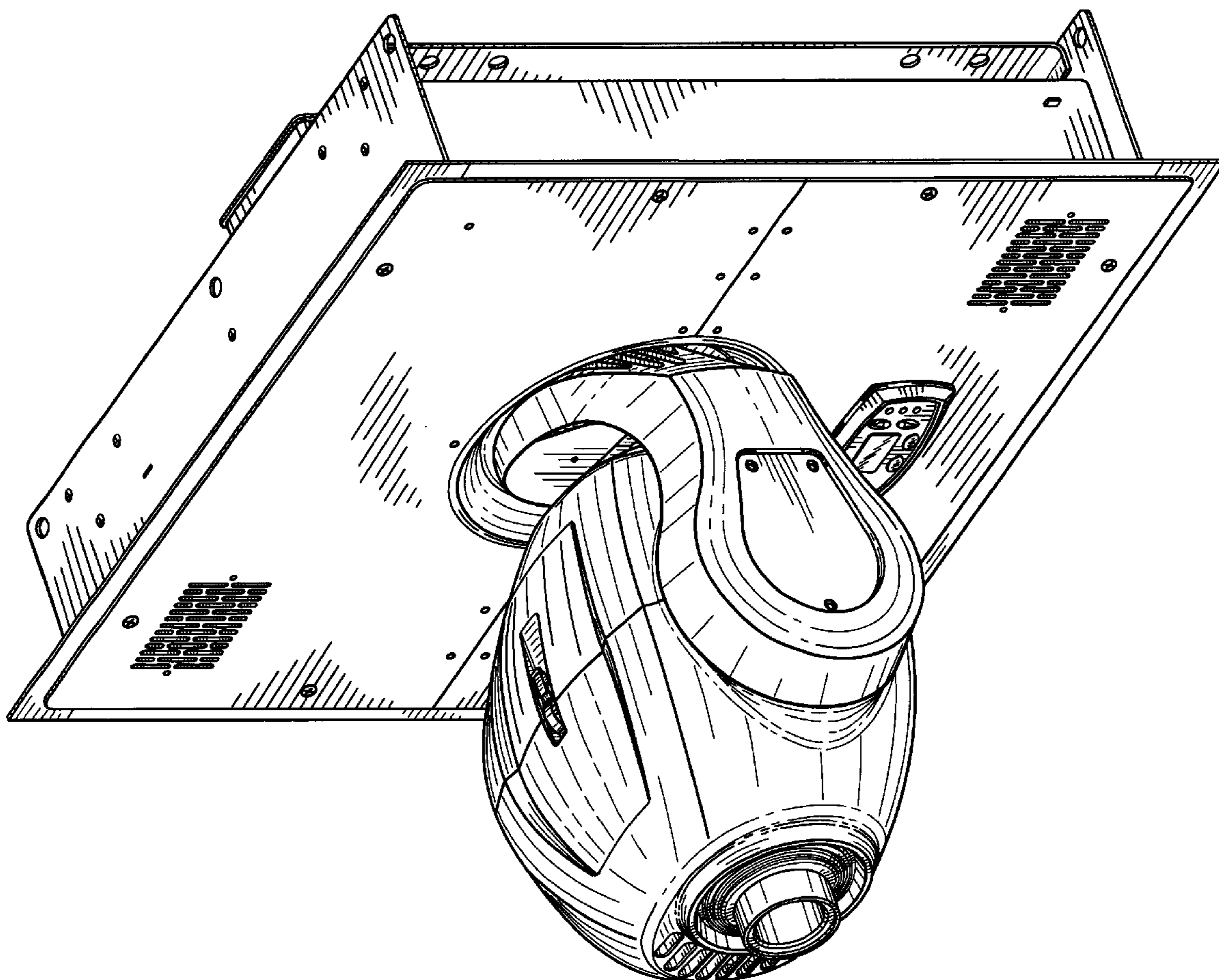
(57) **CLAIM**

The ornamental design for a light fixture, as shown and described.

DESCRIPTION

FIG. 1 is a right side elevational view of a light fixture in accordance with the present design; FIG. 2 is a left side elevational view thereof; FIG. 3 is a front elevational view thereof; FIG. 4 is a rear elevational view thereof; FIG. 5 is a bottom plan view thereof; FIG. 6 is a top plan view thereof; and, FIG. 7 is a perspective view thereof.

1 Claim, 7 Drawing Sheets



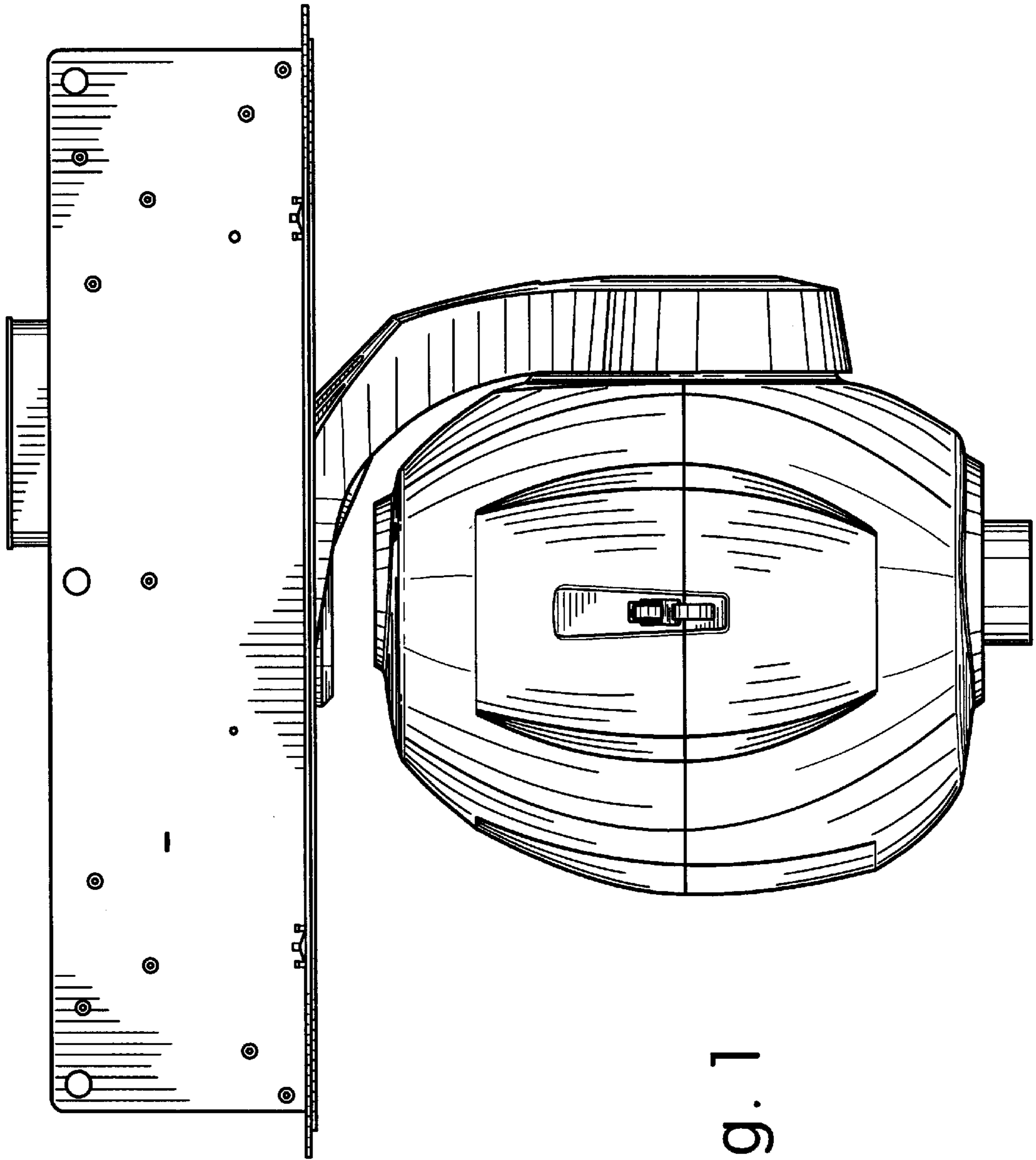


Fig. 1

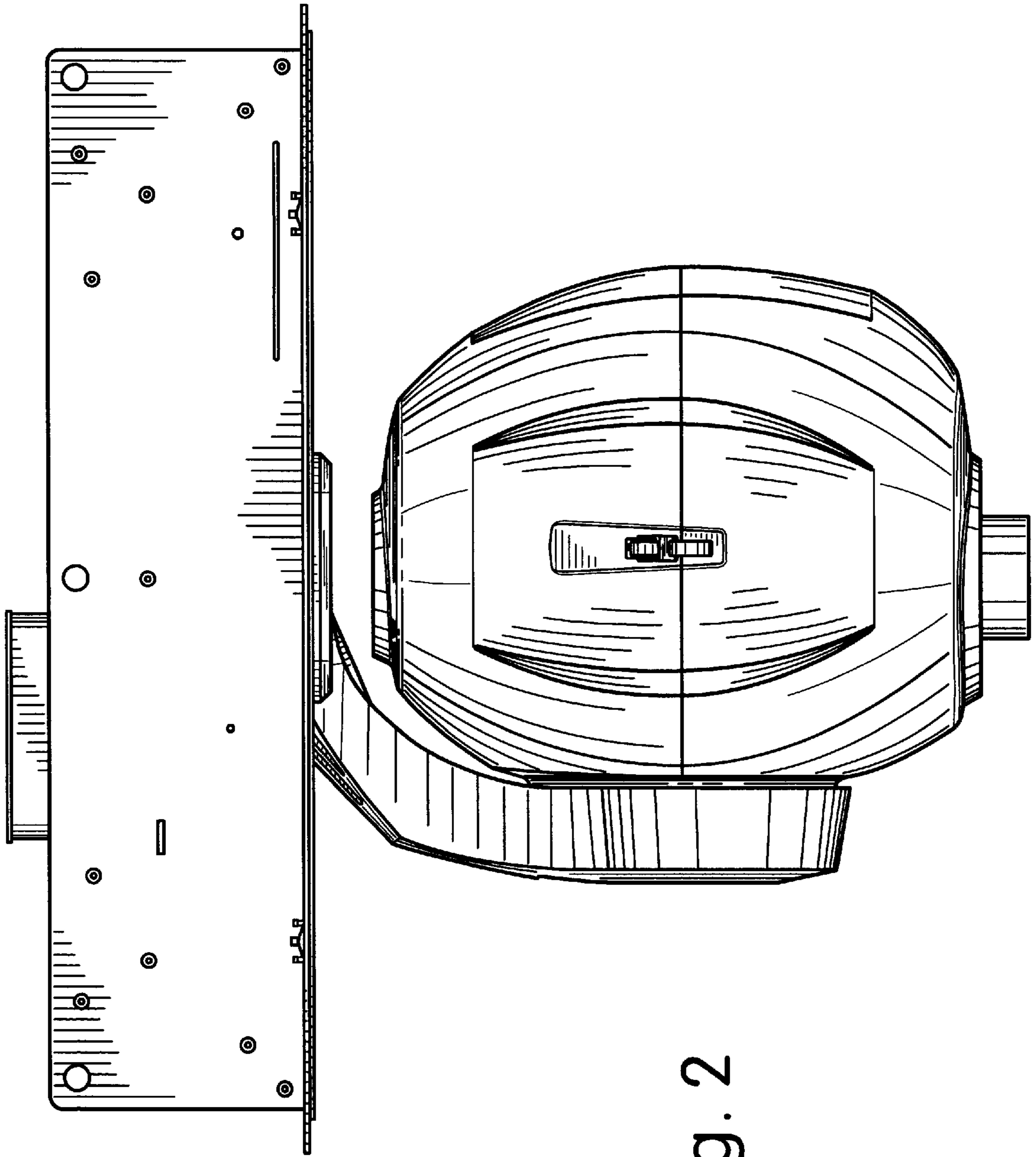


Fig. 2

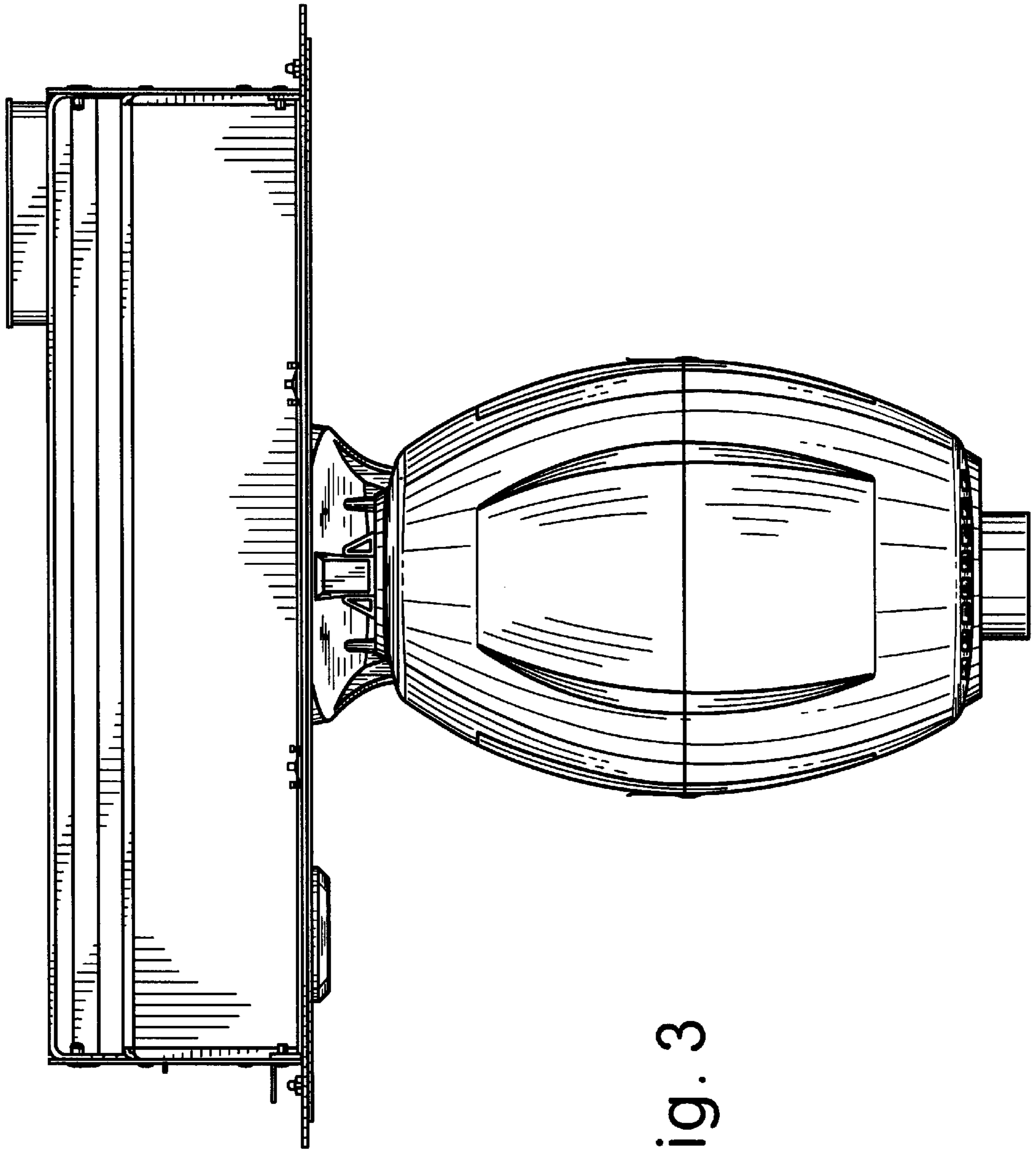


Fig. 3

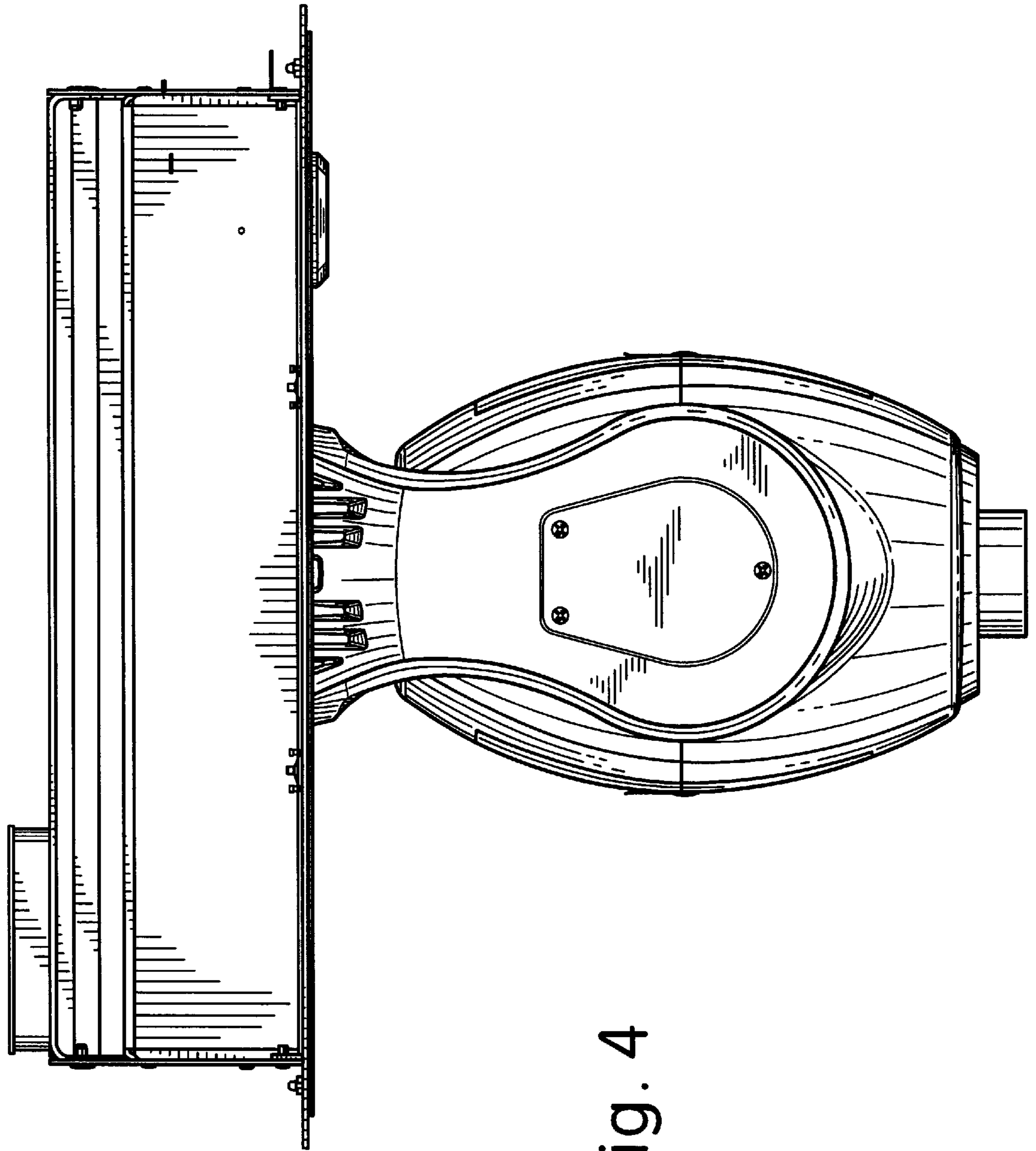


Fig. 4

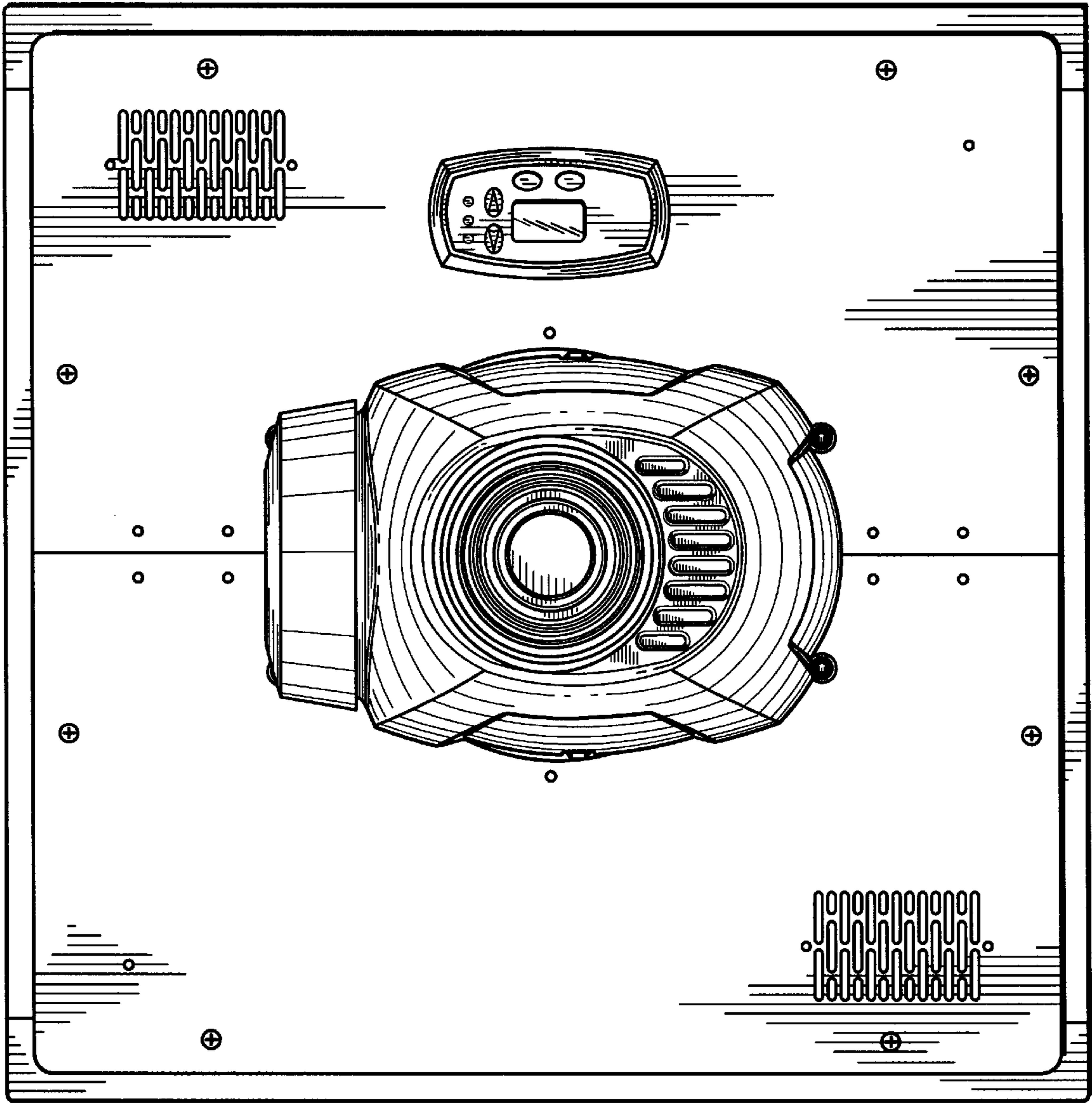


Fig. 5

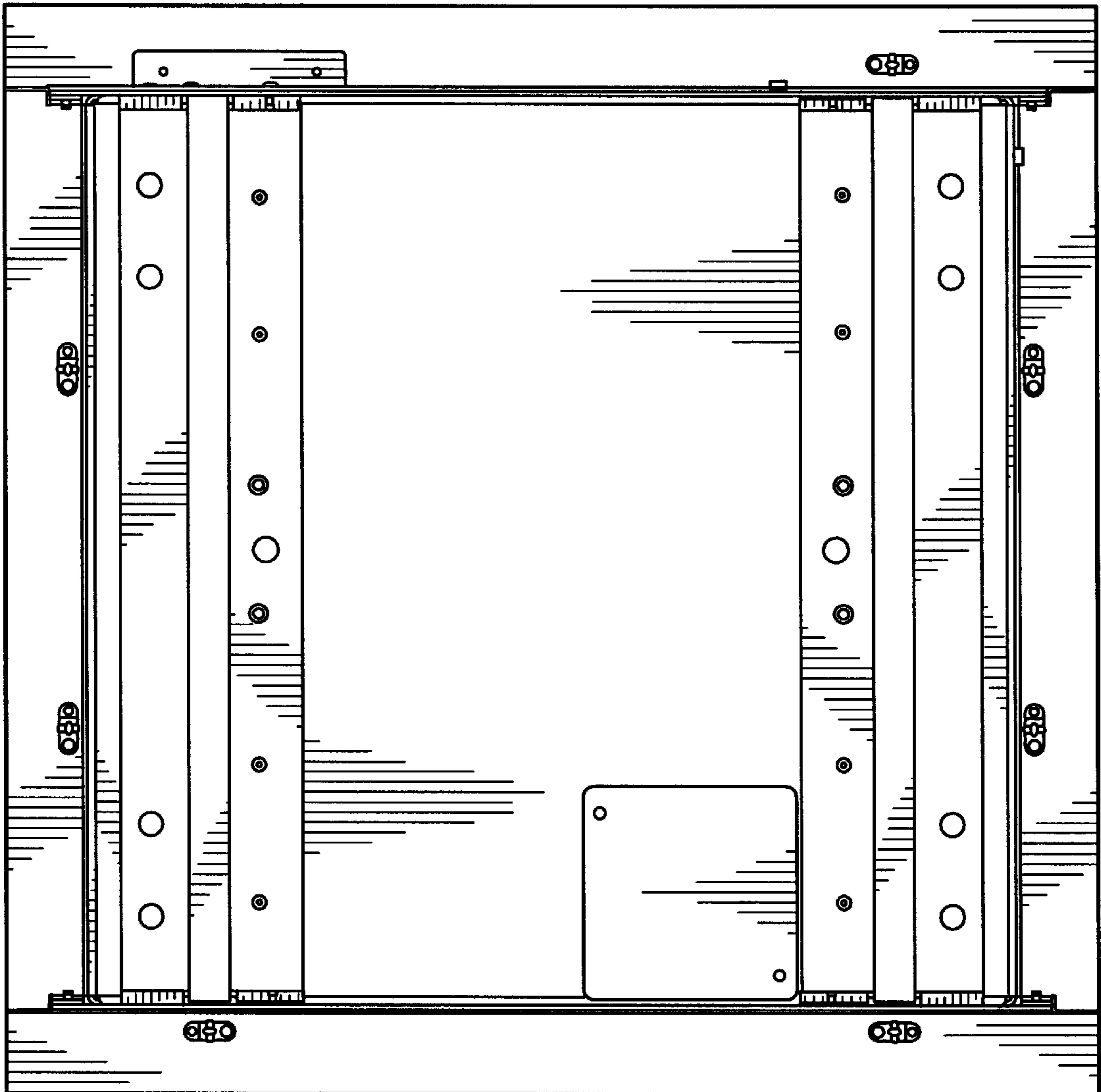


Fig. 6

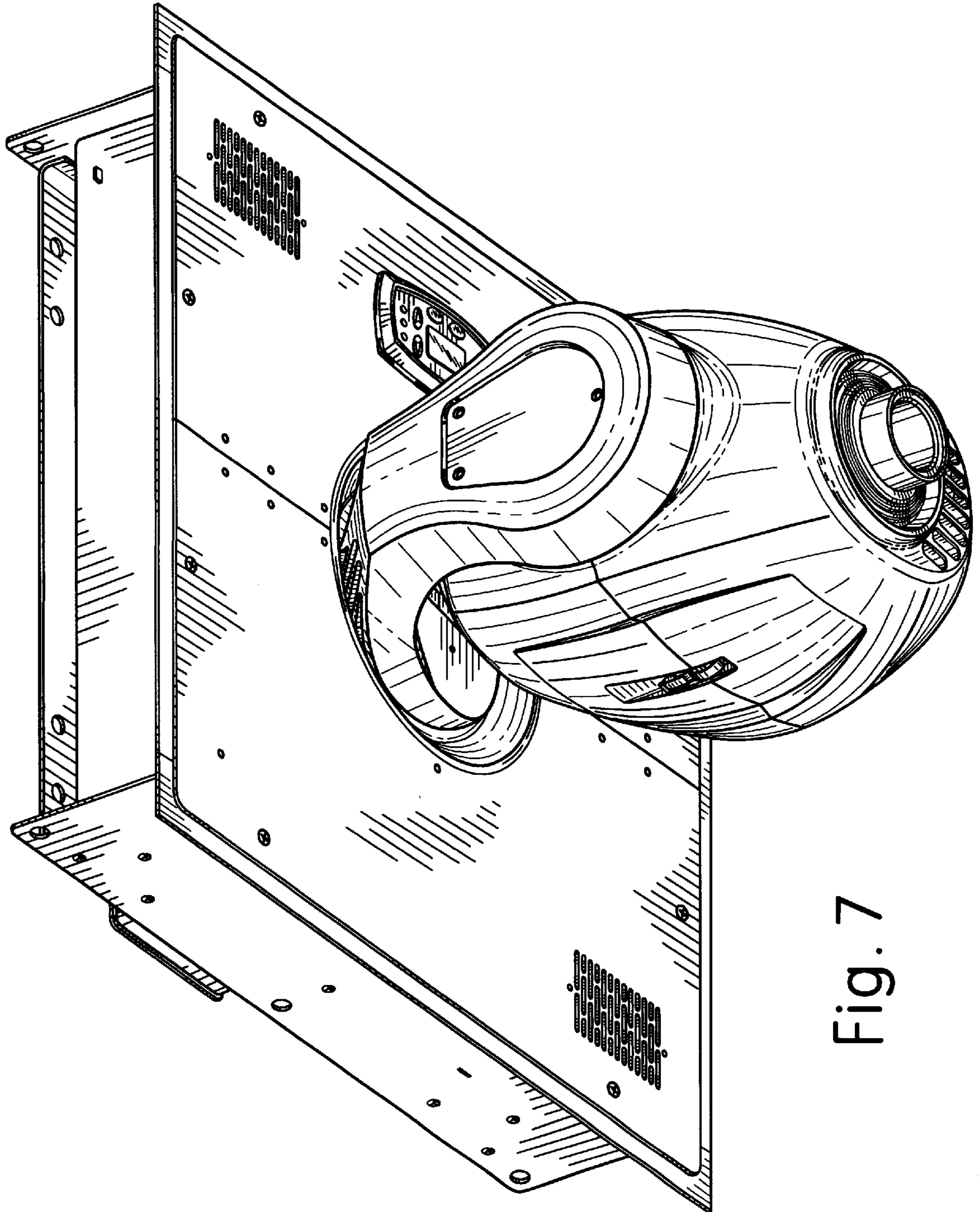


Fig. 7