



US00D489143S

(12) **United States Design Patent**
Clarkson

(10) **Patent No.:** **US D489,143 S**

(45) **Date of Patent:** **** Apr. 27, 2004**

(54) **CANDLE BOX**

(75) Inventor: **Dennis Clarkson**, Wheeling, IL (US)

(73) Assignee: **Clarkson Enterprises**, Wheeling, IL (US)

(**) Term: **14 Years**

(21) Appl. No.: **29/179,659**

(22) Filed: **Apr. 11, 2003**

(51) **LOC (7) Cl.** **26-01**

(52) **U.S. Cl.** **D26/9**

(58) **Field of Search** D26/9-11, 20,
D26/22; D9/428, 432; 431/288, 291

(56) **References Cited**

U.S. PATENT DOCUMENTS

D243,709 S	*	3/1977	Moore	D26/11
D294,125 S	*	2/1988	Hesser et al.	D9/420
D339,389 S	*	9/1993	Peppin	D11/131
D388,522 S	*	12/1997	Pietrantonì	D26/9
D446,717 S	*	8/2001	Lancaster et al.	D9/418
D467,363 S	*	12/2002	West	D26/10

* cited by examiner

Primary Examiner—Robin V. Taylor
(74) *Attorney, Agent, or Firm*—Cardinal Law Group

(57) **CLAIM**

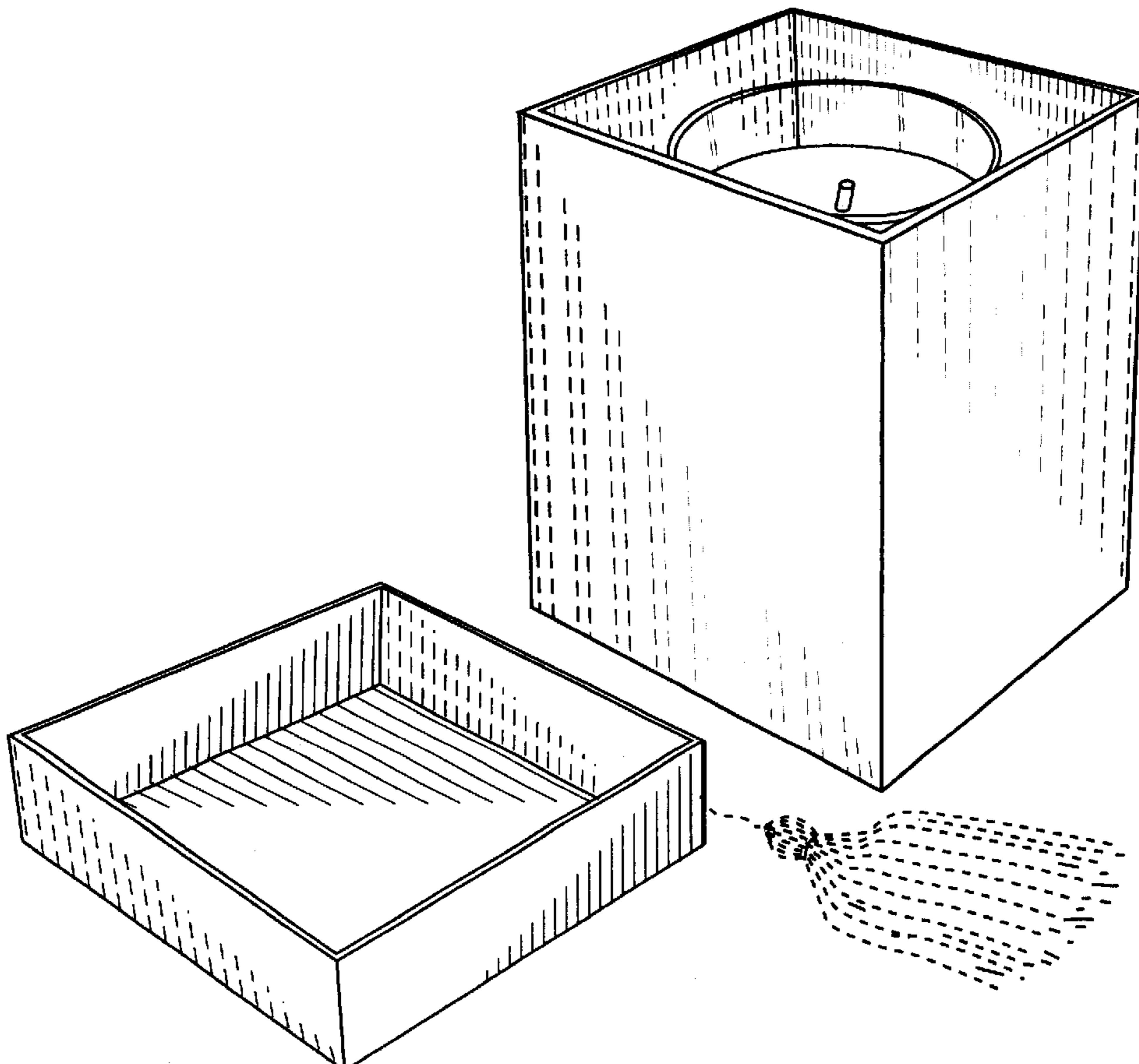
The ornamental design for a candle box, as shown and described.

DESCRIPTION

FIG. 1 is a perspective view of the candle box with the padded lid removed;
FIG. 2 is a top view of the candle box with the lid in place;
FIG. 3 is a bottom view of the candle box with the padded lid in place;
FIG. 4 is a top view of the candle box with the padded lid removed;
FIG. 5 is a bottom view of the padded lid of the candle box;
FIG. 6 is a side view of the candle box;
FIG. 7 is a side view of the candle box rotated 90 degrees;
FIG. 8 is a perspective view of the candle box with candle and padded lid removed; and,
FIG. 9 is a side view of the candle removed from the candle box.

The broken lines in the figures showing a tassel attached to the candle box in FIGS. 1, 6 and 7 are for illustrative purposes only and form no part of the claimed design.

1 Claim, 3 Drawing Sheets



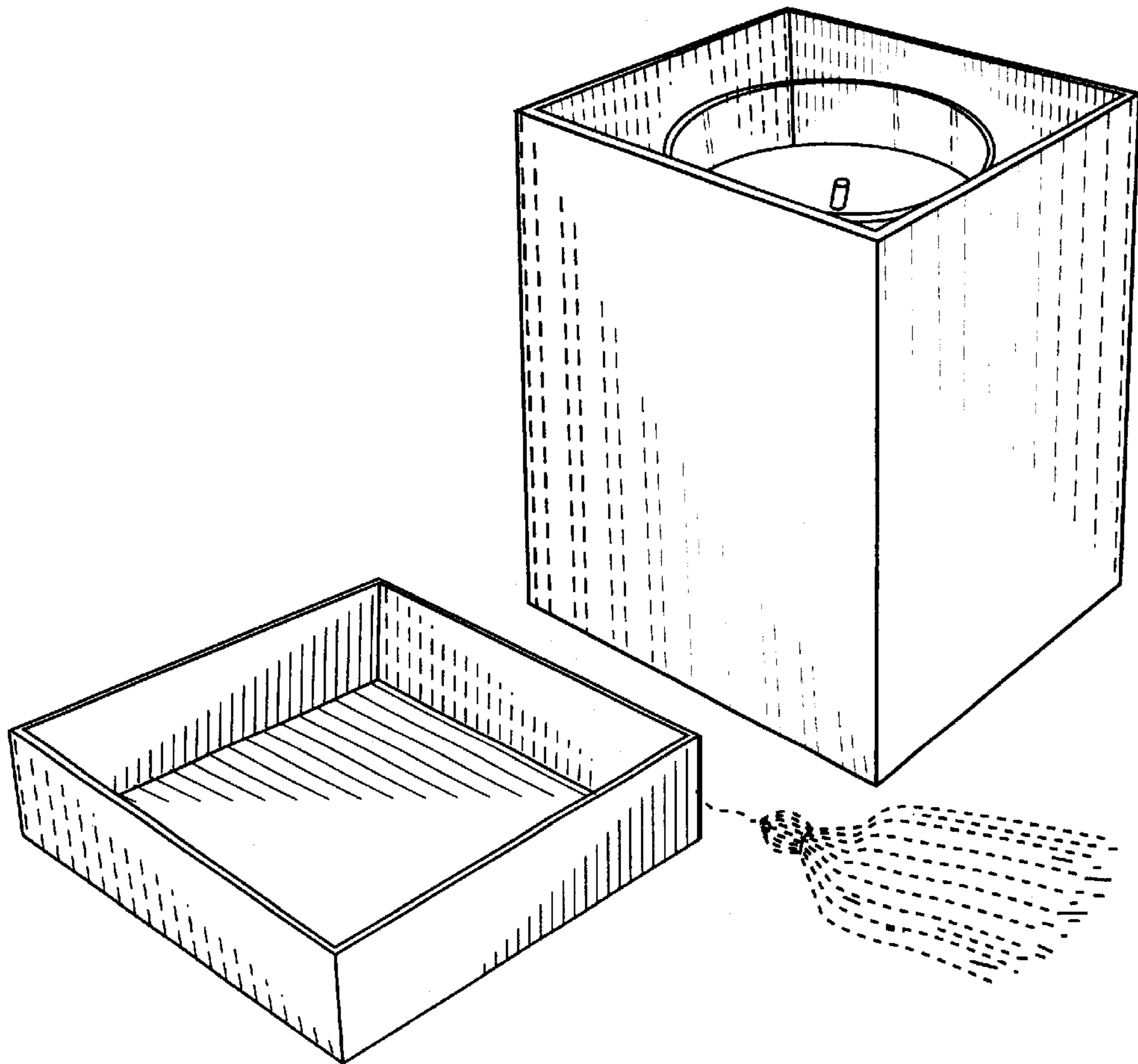


FIG. 1

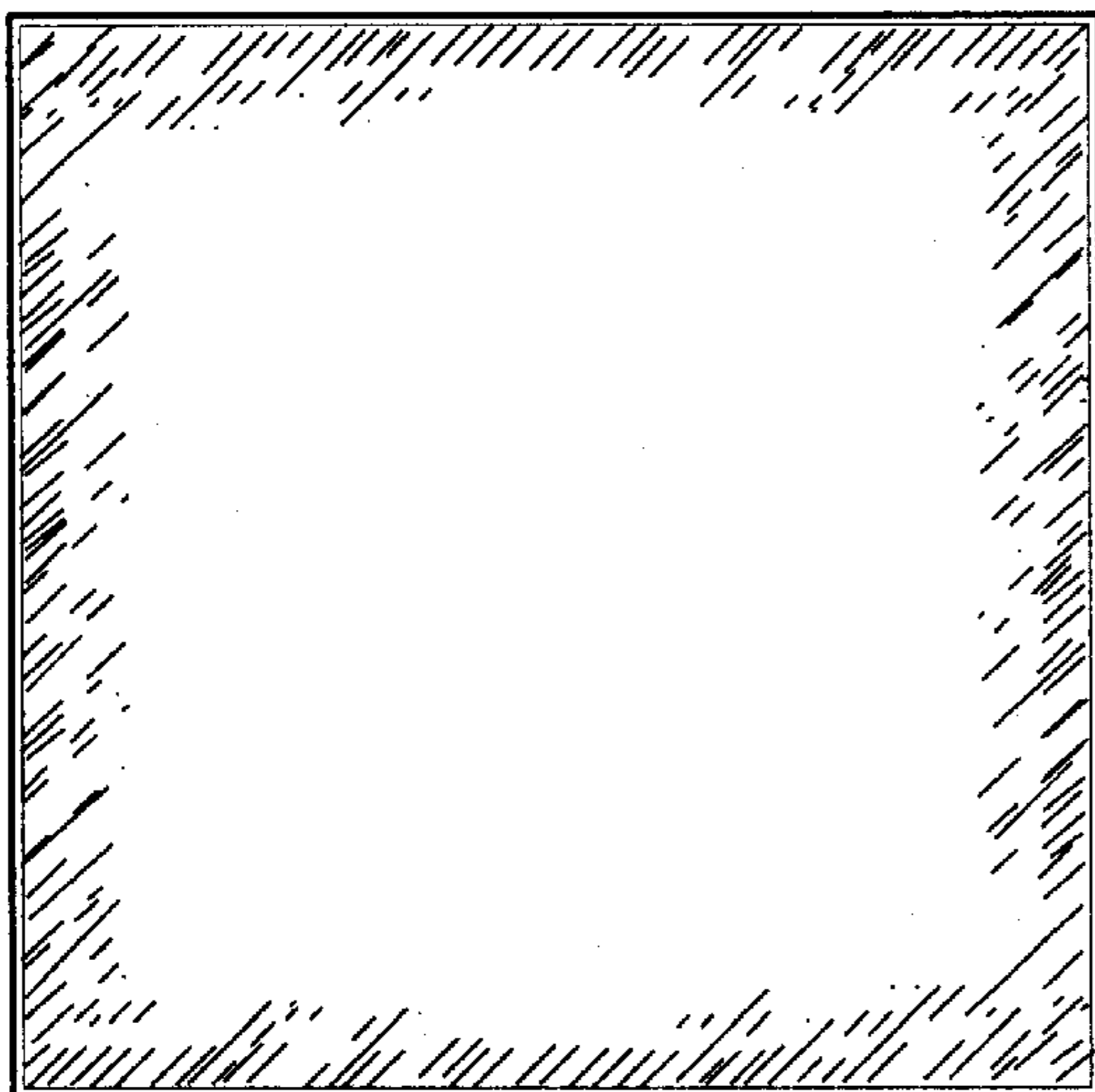


FIG. 2

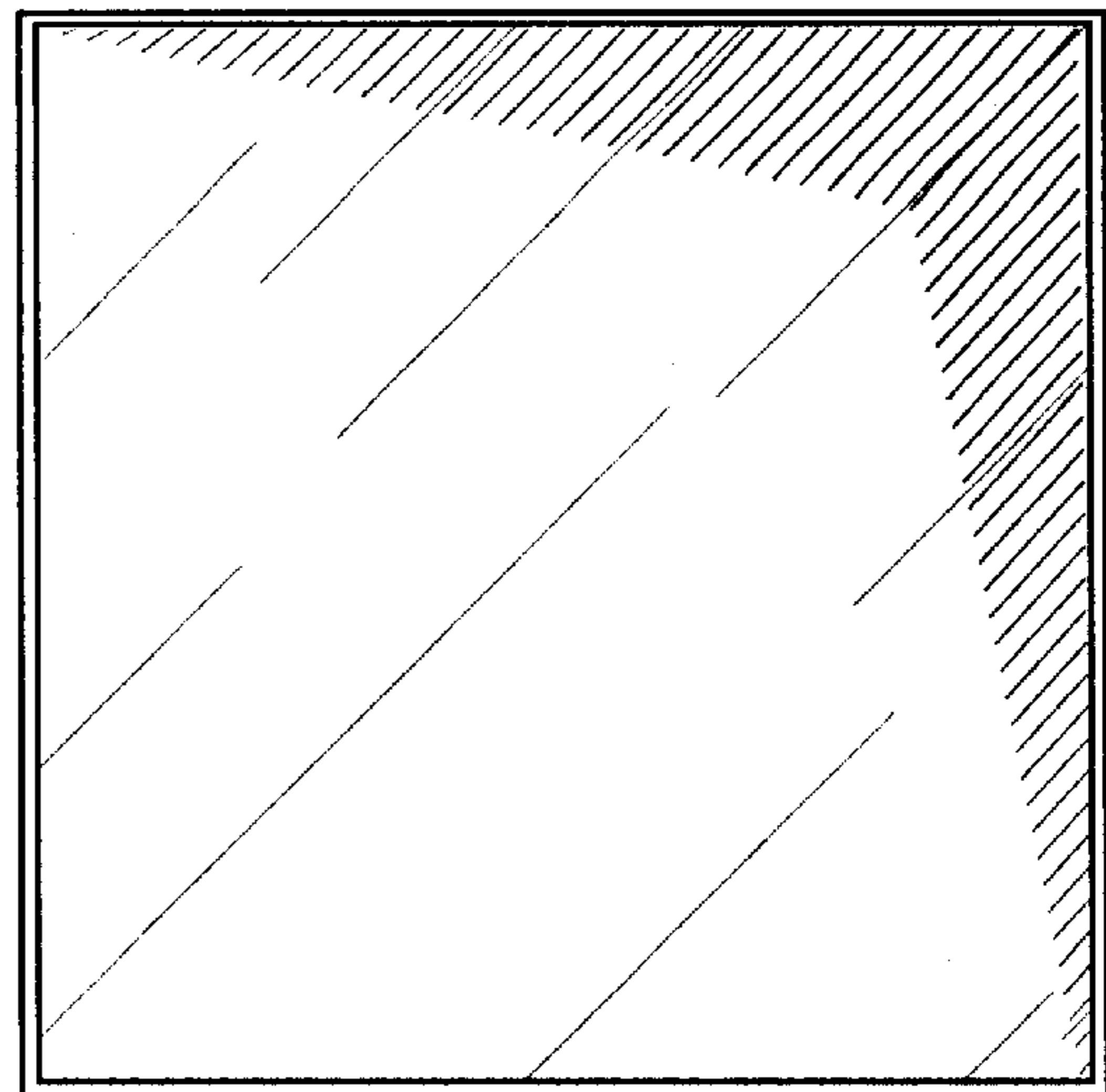


FIG. 3

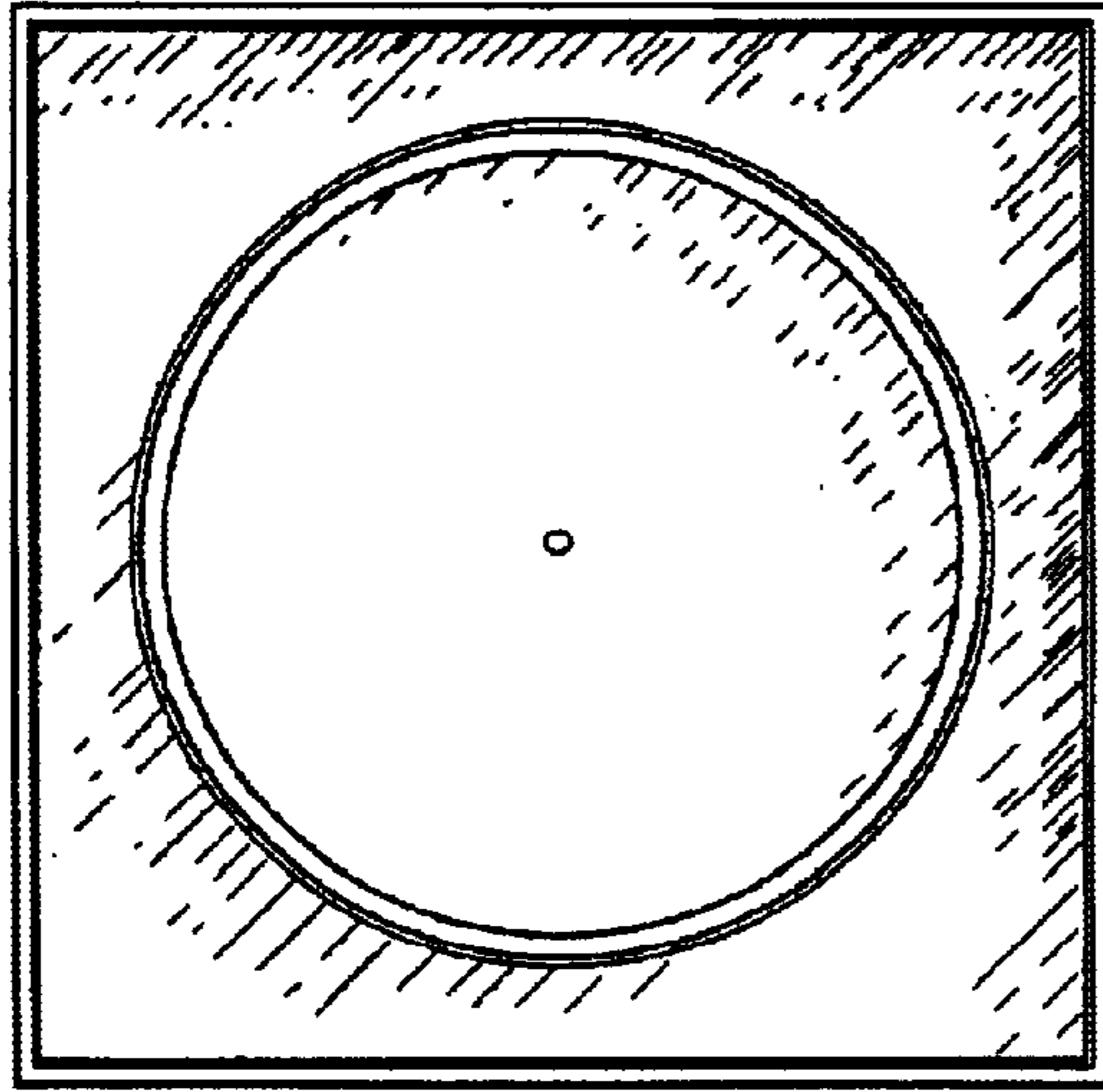


FIG. 4

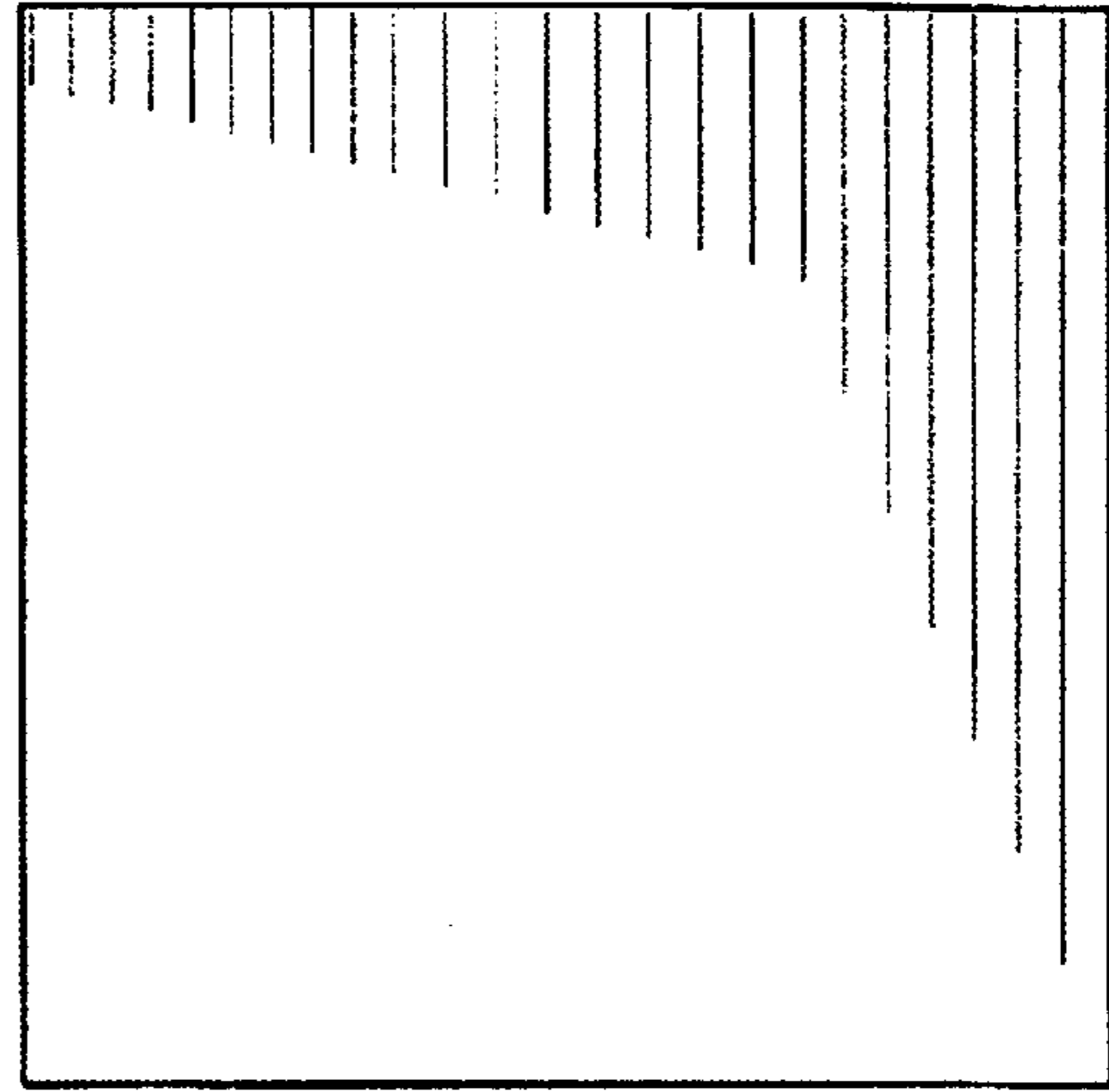


FIG. 5

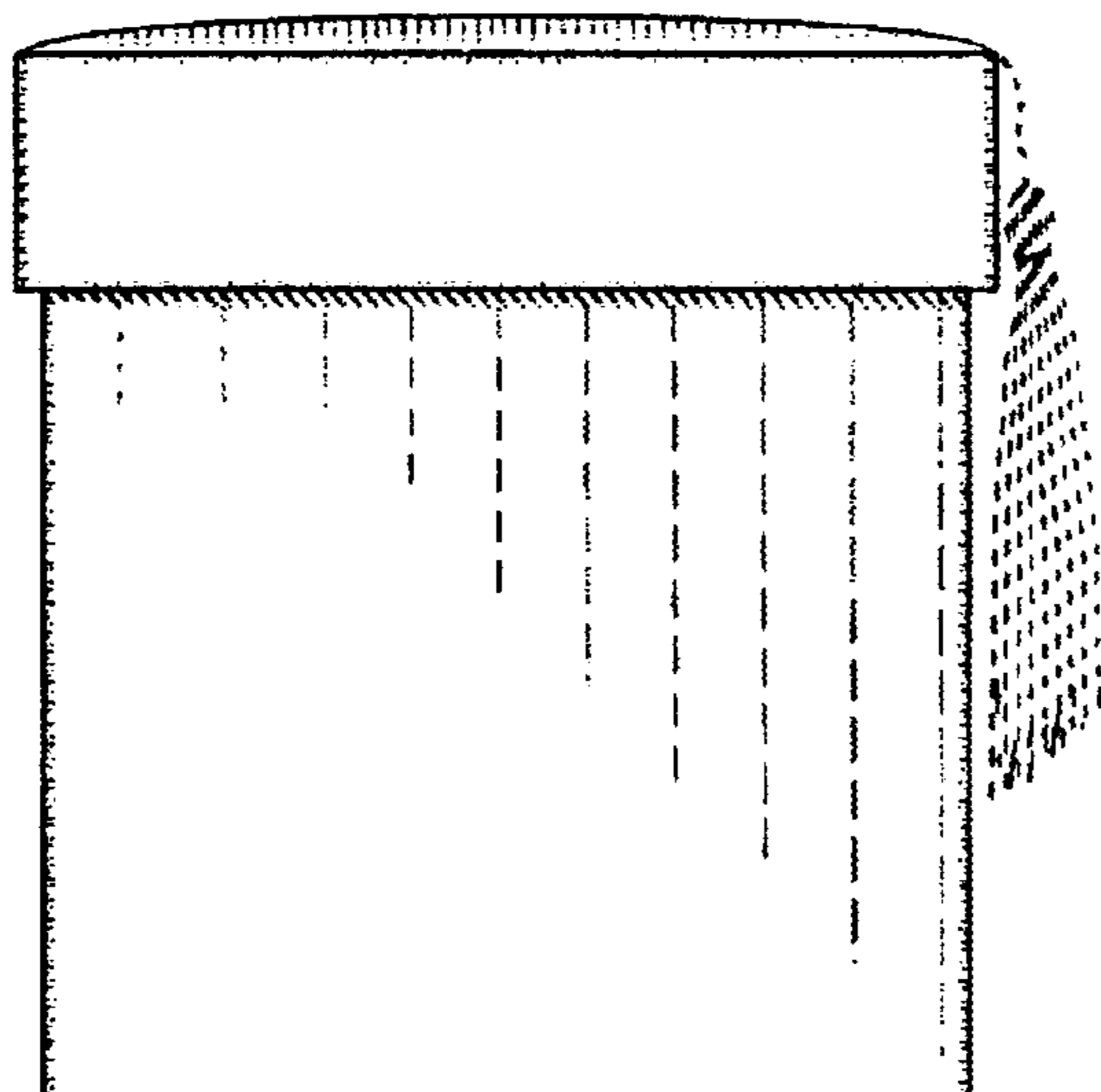


FIG. 6

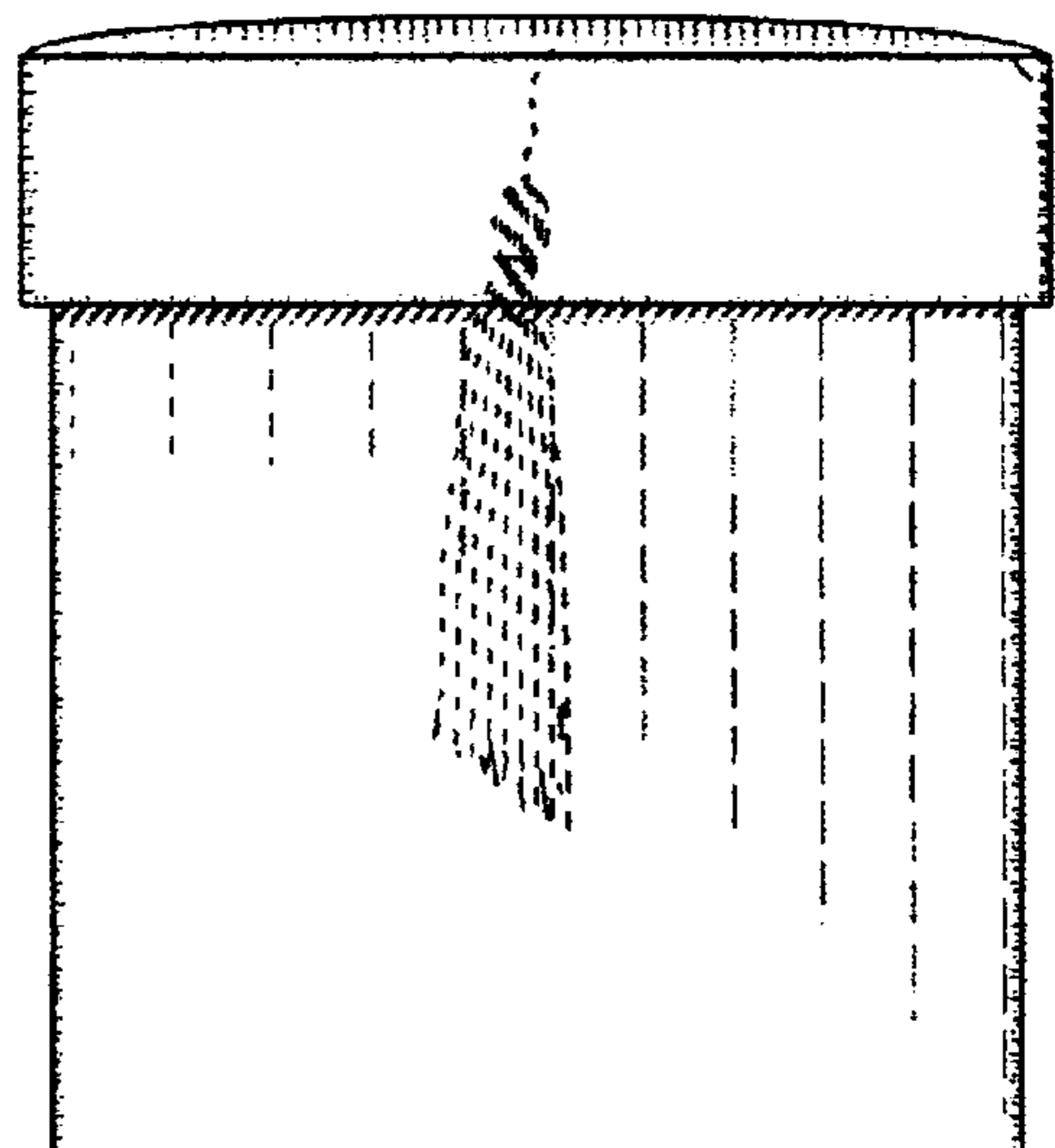


FIG. 7

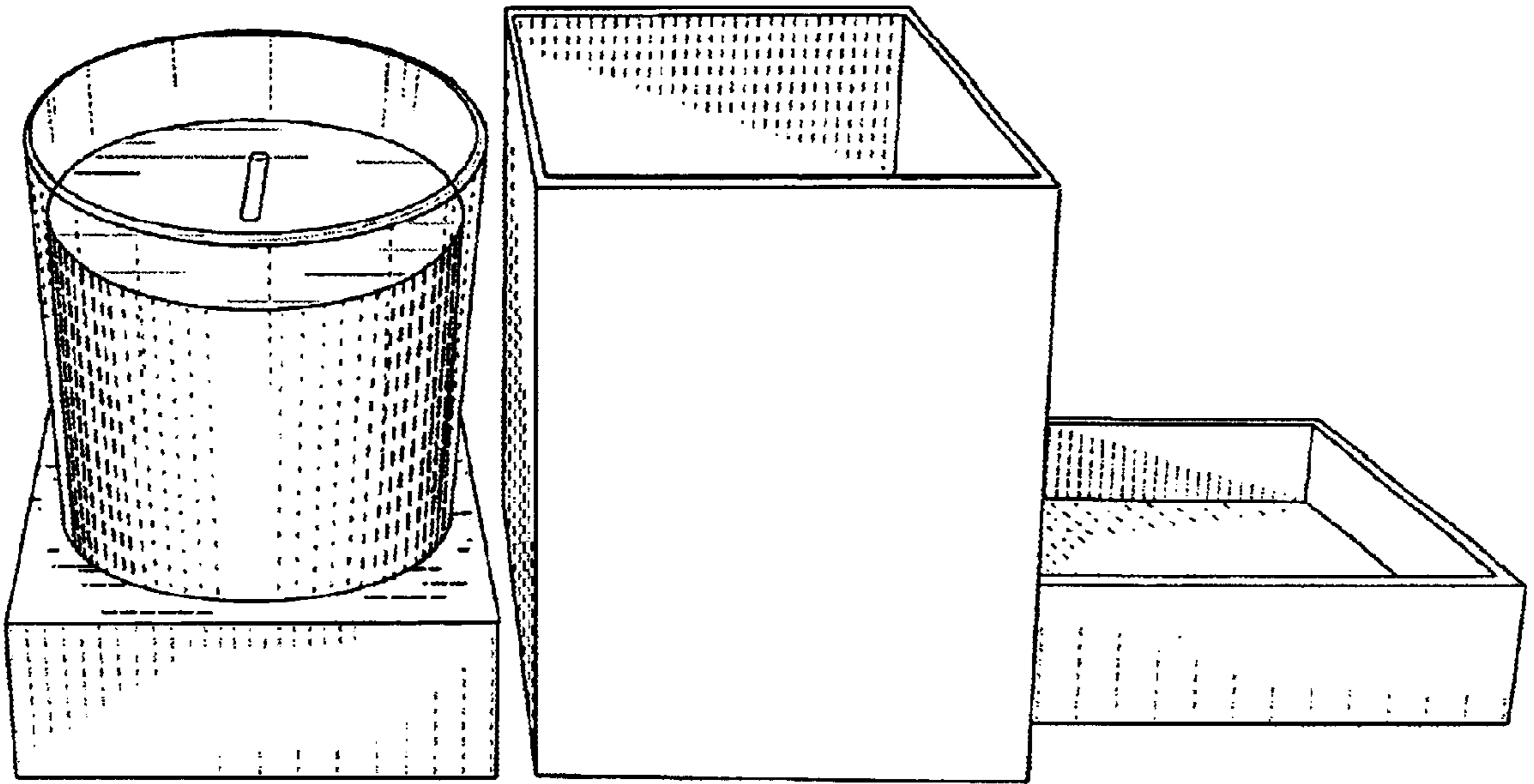


FIG. 8

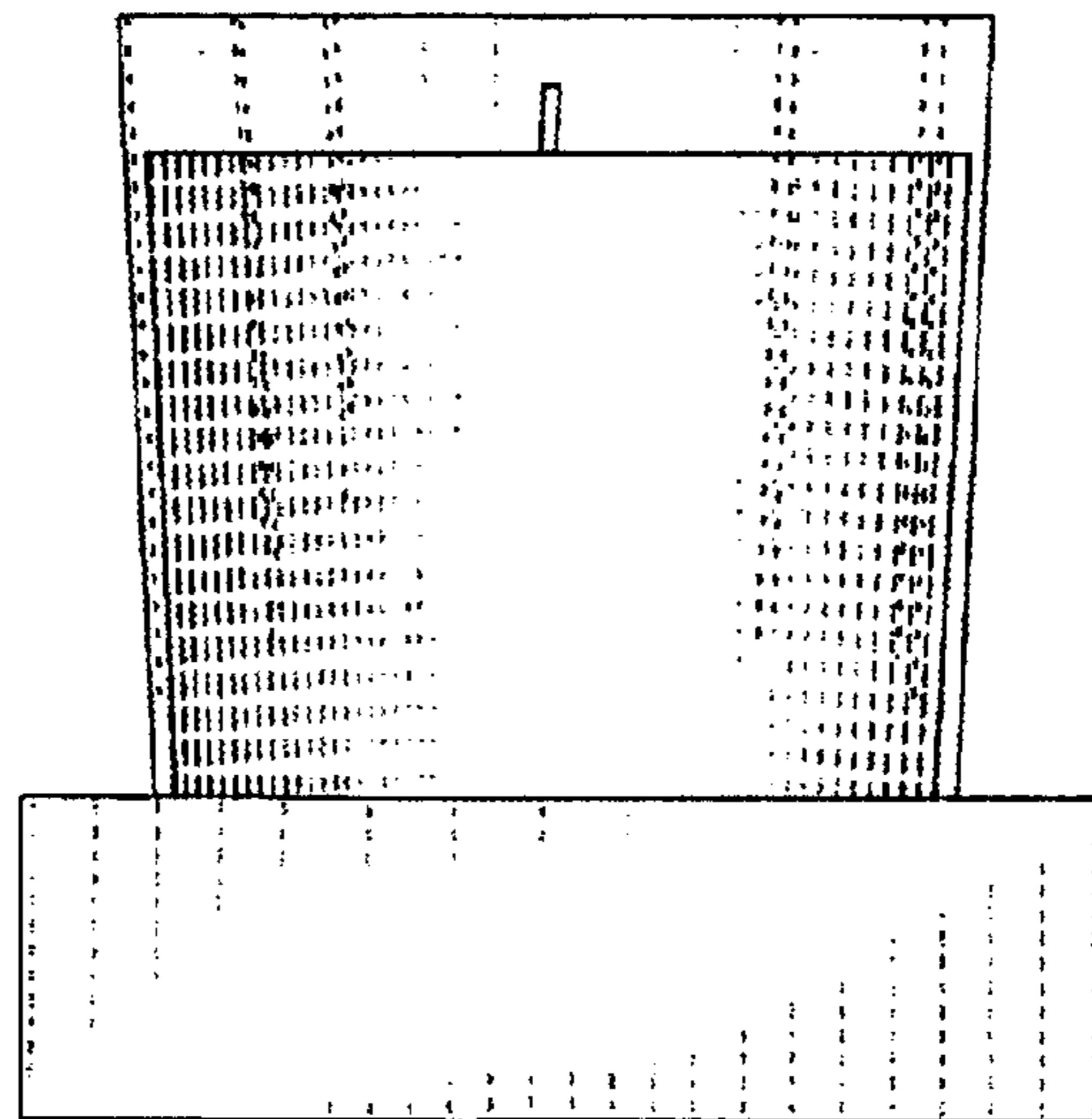


FIG. 9