



US00D489138S

(12) **United States Design Patent**
Tyson et al.

(10) **Patent No.:** **US D489,138 S**

(45) **Date of Patent:** **** Apr. 27, 2004**

(54) **EXTRUDED FRAME MEMBER FOR EMI ENCLOSURE**

Primary Examiner—Doris Clark
(74) *Attorney, Agent, or Firm*—John P. O'Banion

(75) Inventors: **Kenneth E. Tyson**, Fair Oaks, CA (US); **Deborah S. Tyson**, Fair Oaks, CA (US); **Theodore Marzan**, Sacramento, CA (US); **Ronald B. Walker**, Loomis, CA (US)

(57) **CLAIM**

The ornamental design for an extruded frame member for EMI enclosure, as shown and described.

(73) Assignee: **Proteus Technical Solutions, Inc.**, Orangevale, CA (US)

DESCRIPTION

(**) Term: **14 Years**

FIG. 1 is a perspective fragmentary view, as seen from the front right, of our design for an extruded frame member for EMI enclosure.

(21) Appl. No.: **29/155,298**

FIG. 2 is a perspective fragmentary view, as seen from the front left, of our design shown in FIG. 1.

(22) Filed: **Feb. 8, 2002**

FIG. 3 is a front view of our design shown in FIG. 1, rotated 180 degrees about the longitudinal axis.

(51) **LOC (7) Cl.** **25-01**

FIG. 4 is a fragmentary top plan view of our design shown in FIG. 1.

(52) **U.S. Cl.** **D25/124**

FIG. 5 is a fragmentary left side view of our design shown in FIG. 1.

(58) **Field of Search** 174/35 GC, 35 R, 174/50; D25/124

FIG. 6 is a front view of our design shown in FIG. 1.

(56) **References Cited**

U.S. PATENT DOCUMENTS

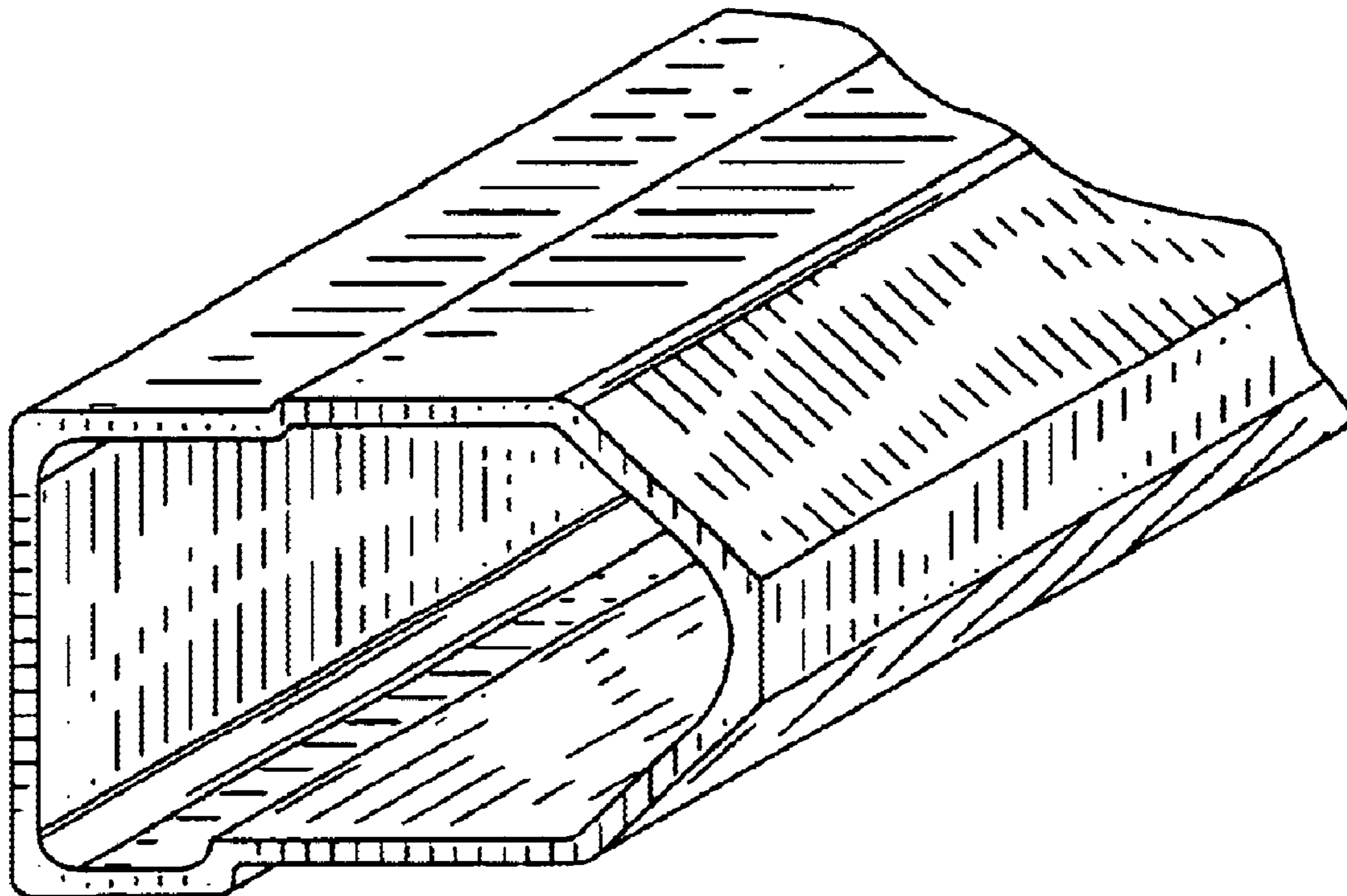
D415,075 S * 10/1999 Lan D25/124
6,225,554 B1 * 5/2001 Trehan et al. 174/35 R
6,274,808 B1 * 8/2001 Cercioglu et al. 174/35 GC

FIG. 7 is a fragmentary right side view of our design shown in FIG. 1; and,

FIG. 8 is a fragmentary bottom plan view of our design shown in FIG. 1.

* cited by examiner

1 Claim, 3 Drawing Sheets



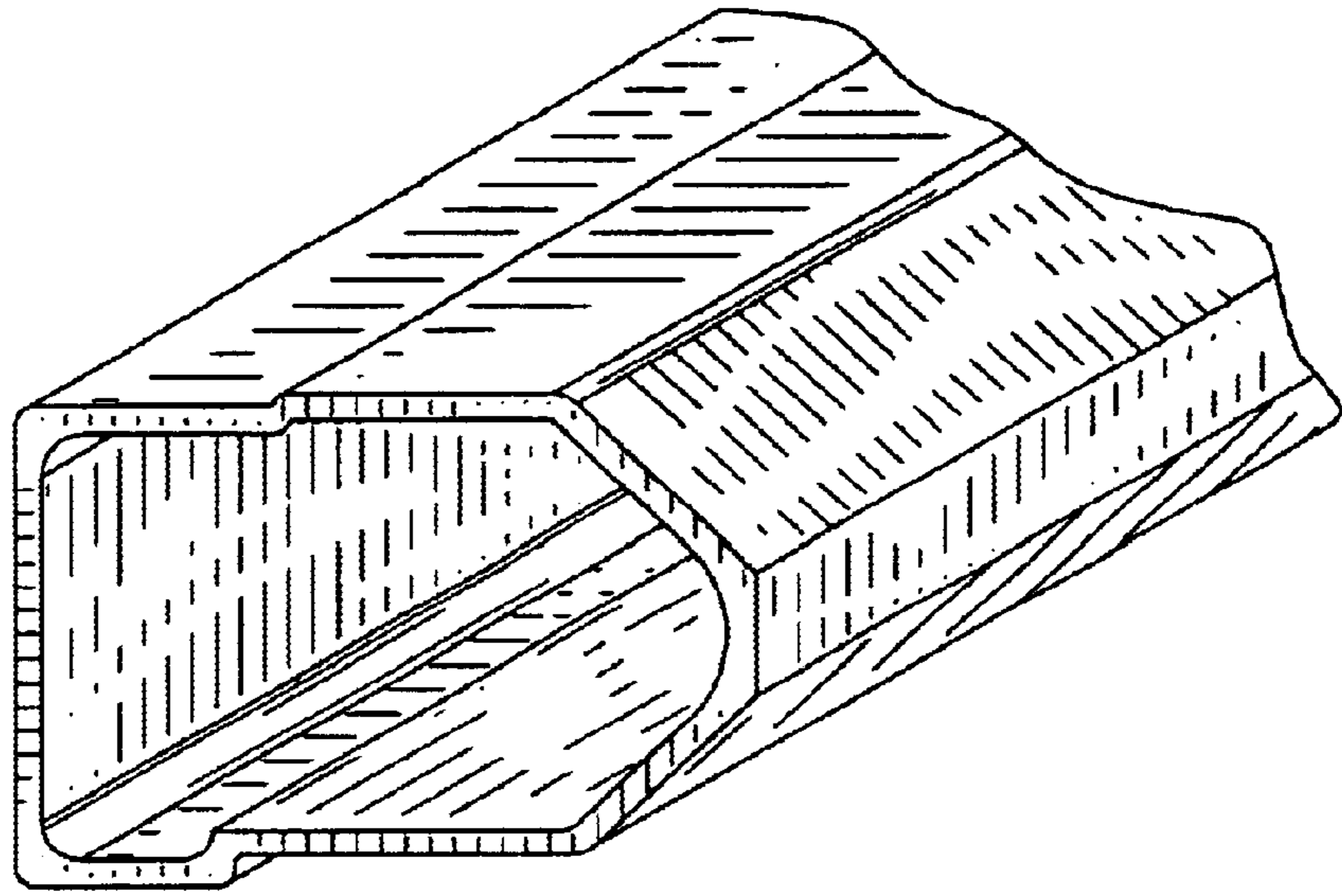


FIG. 1

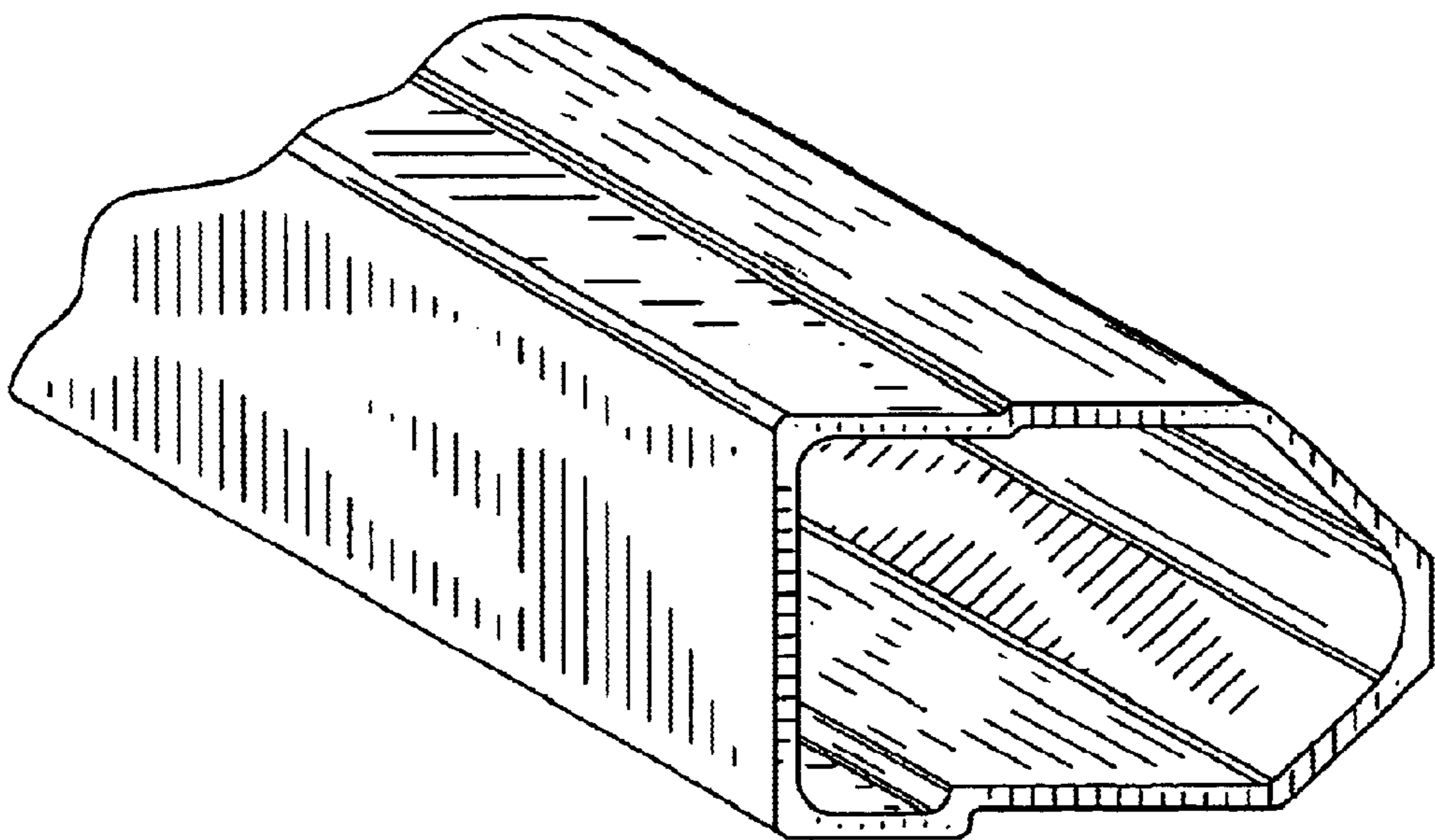


FIG. 2

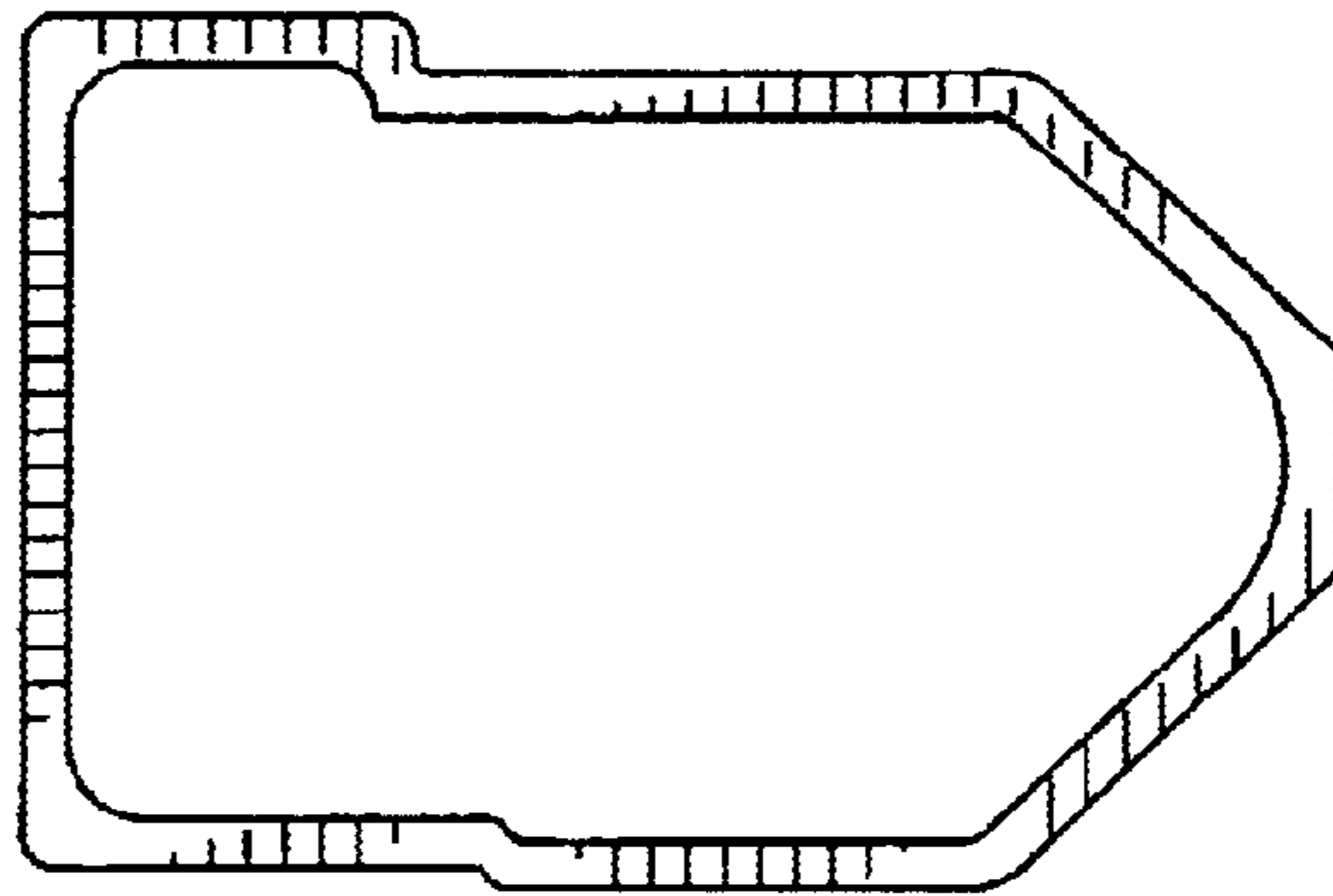


FIG. 3

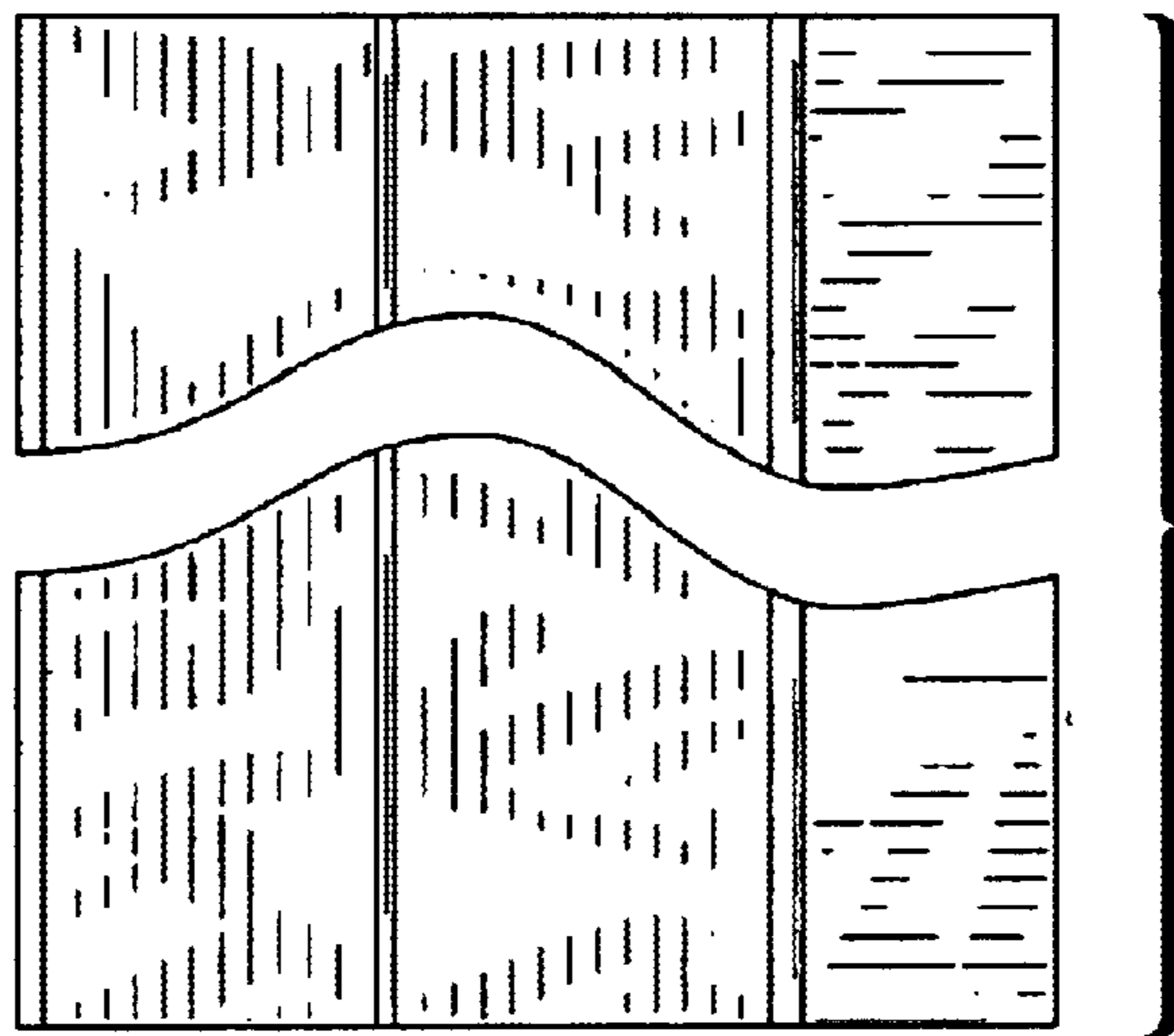


FIG. 4

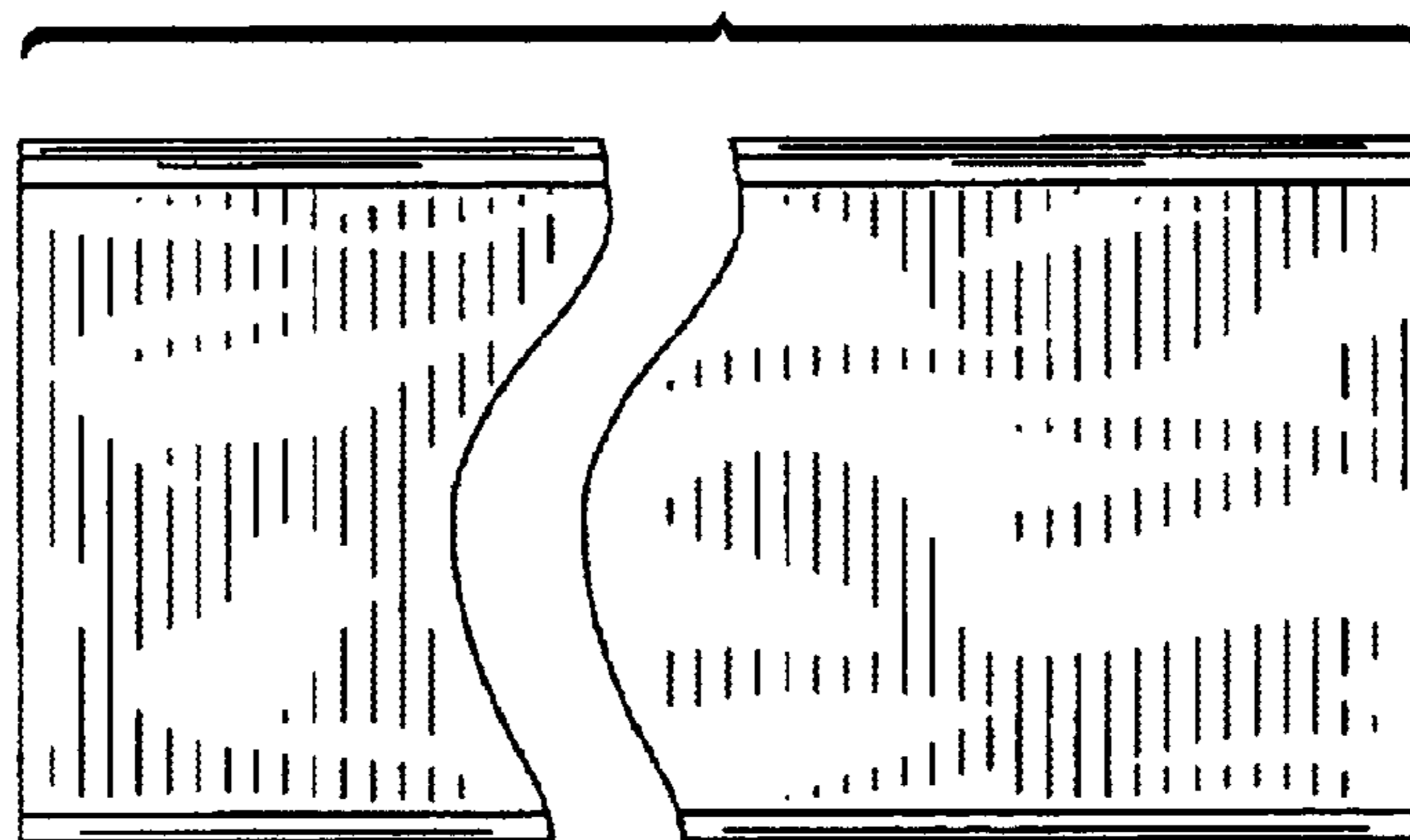


FIG. 5

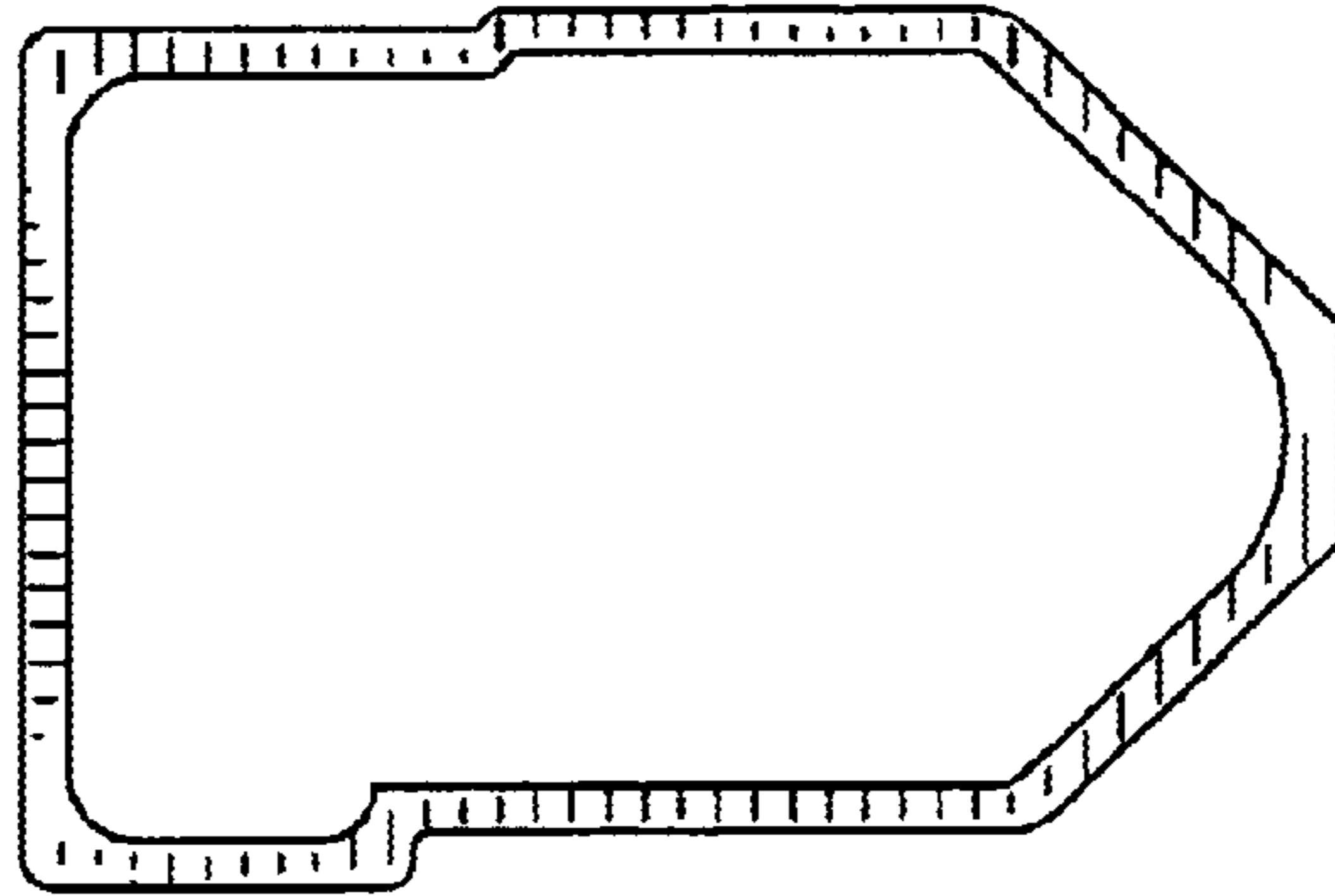


FIG. 6

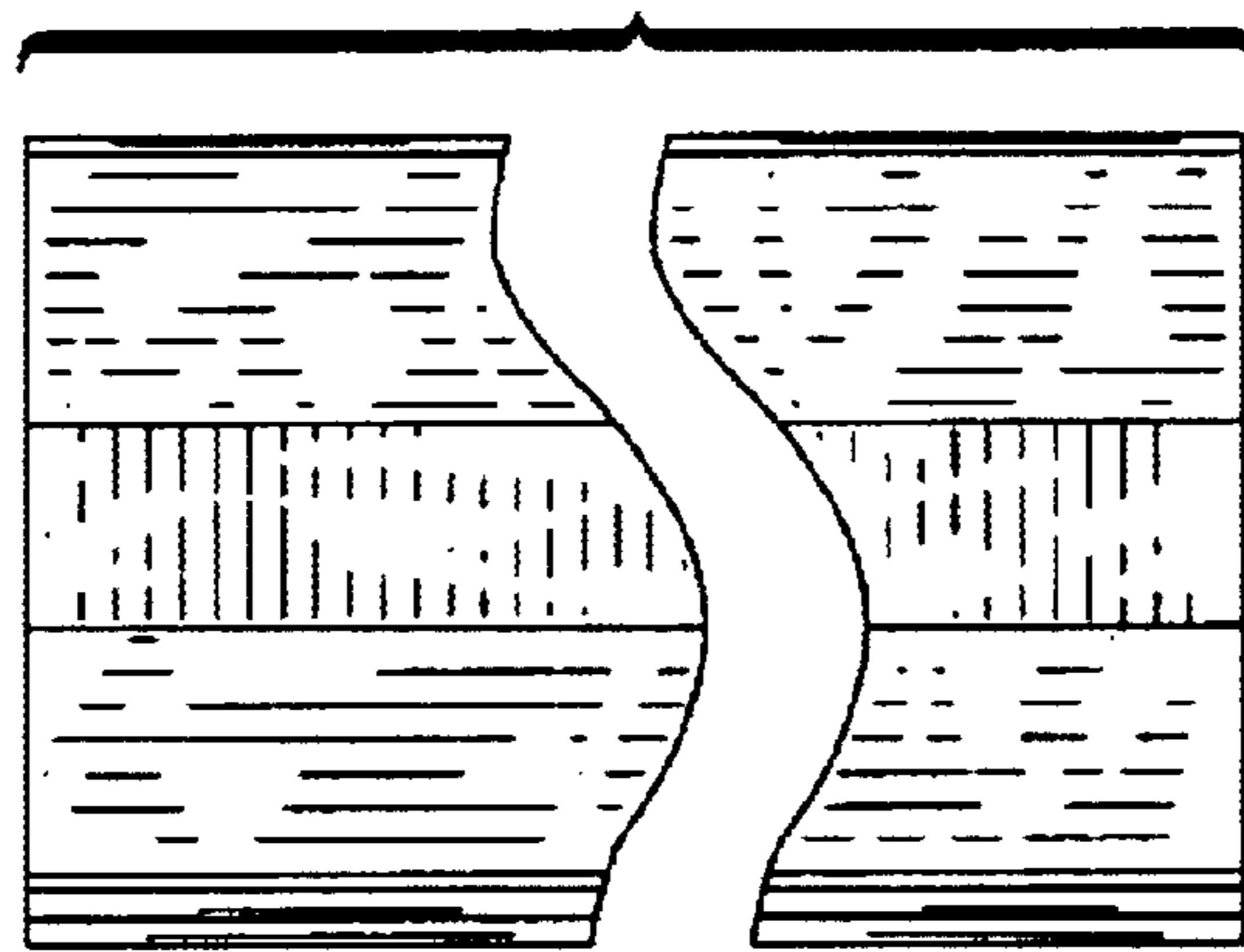


FIG. 7

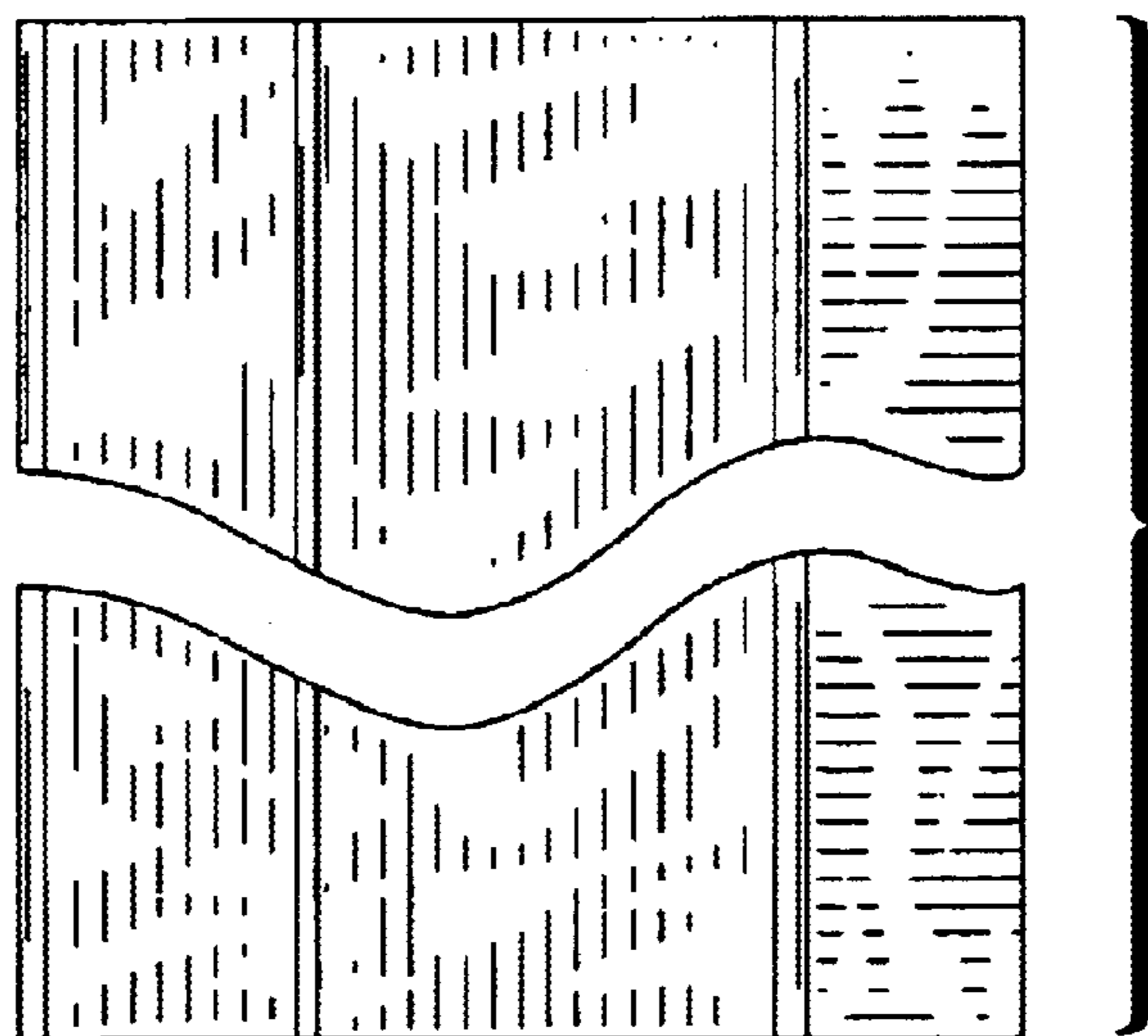


FIG. 8