



US00D489137S

(12) **United States Design Patent**
Eichner et al.

(10) **Patent No.:** **US D489,137 S**

(45) **Date of Patent:** **** Apr. 27, 2004**

(54) **MOULDING**

(75) Inventors: **Eugene Eichner**, Dix Hills, NY (US);
L. Gordon Van Vechten, St. James,
NY (US)

(73) Assignee: **Framerica Corporation**, Yaphank, NY
(US)

(**) Term: **14 Years**

(21) Appl. No.: **29/179,620**

(22) Filed: **Apr. 11, 2003**

(51) **LOC (7) Cl.** **25-01**

(52) **U.S. Cl.** **D25/119**

(58) **Field of Search** 52/716.1, 718.01,
52/717.03, 287.1, 288.1; D25/136, 119

(56) **References Cited**

U.S. PATENT DOCUMENTS

D212,080 S * 8/1968 Vondergoltz D25/136

5,819,485 A * 10/1998 Lane et al. 52/716.1
5,992,115 A 11/1999 Felix 52/718.01
D419,692 S 1/2000 Ancel D25/119

* cited by examiner

Primary Examiner—Doris Clark

(74) *Attorney, Agent, or Firm*—Kenyon & Kenyon

(57) **CLAIM**

The ornamental design for a moulding, as shown and described.

DESCRIPTION

FIG. 1 is a perspective view of a moulding showing our new design;

FIG. 2 is an end view thereof;

FIG. 3 is a front view thereof;

FIG. 4 is a bottom view thereof; and,

FIG. 5 is a top view thereof.

The double broken lines indicate that the moulding continues indeterminately in the direction depicted.

1 Claim, 2 Drawing Sheets

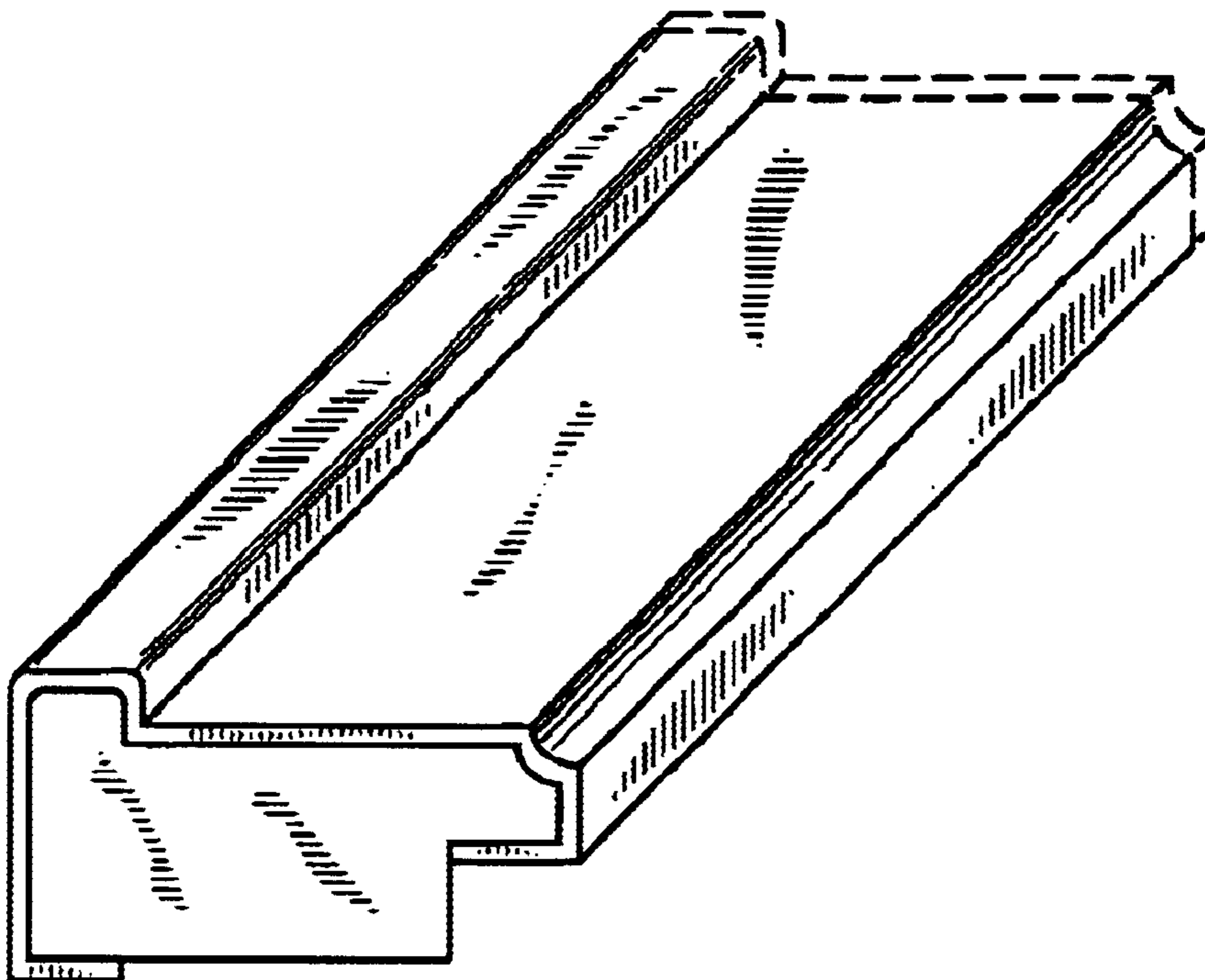


FIG. 1

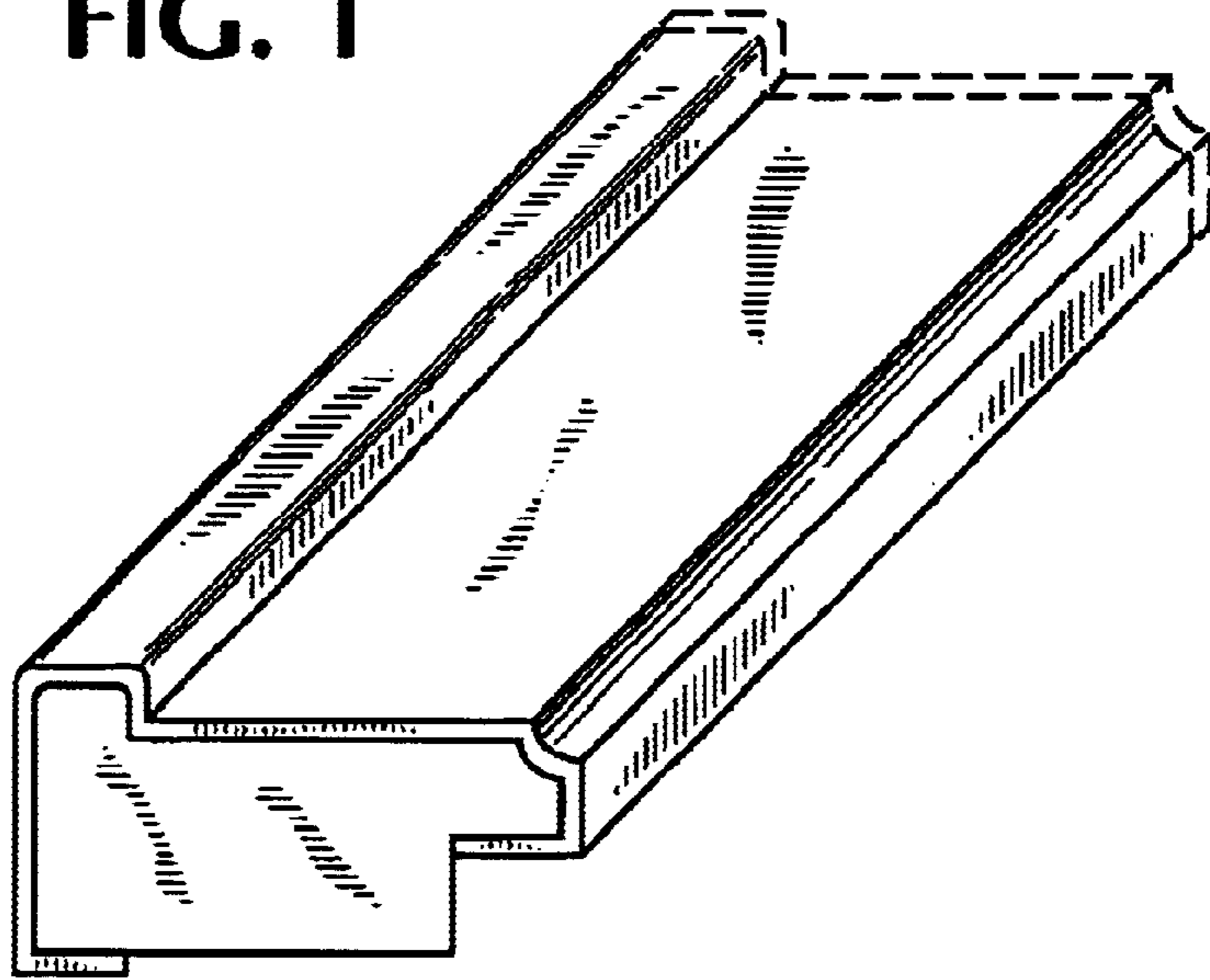


FIG. 2

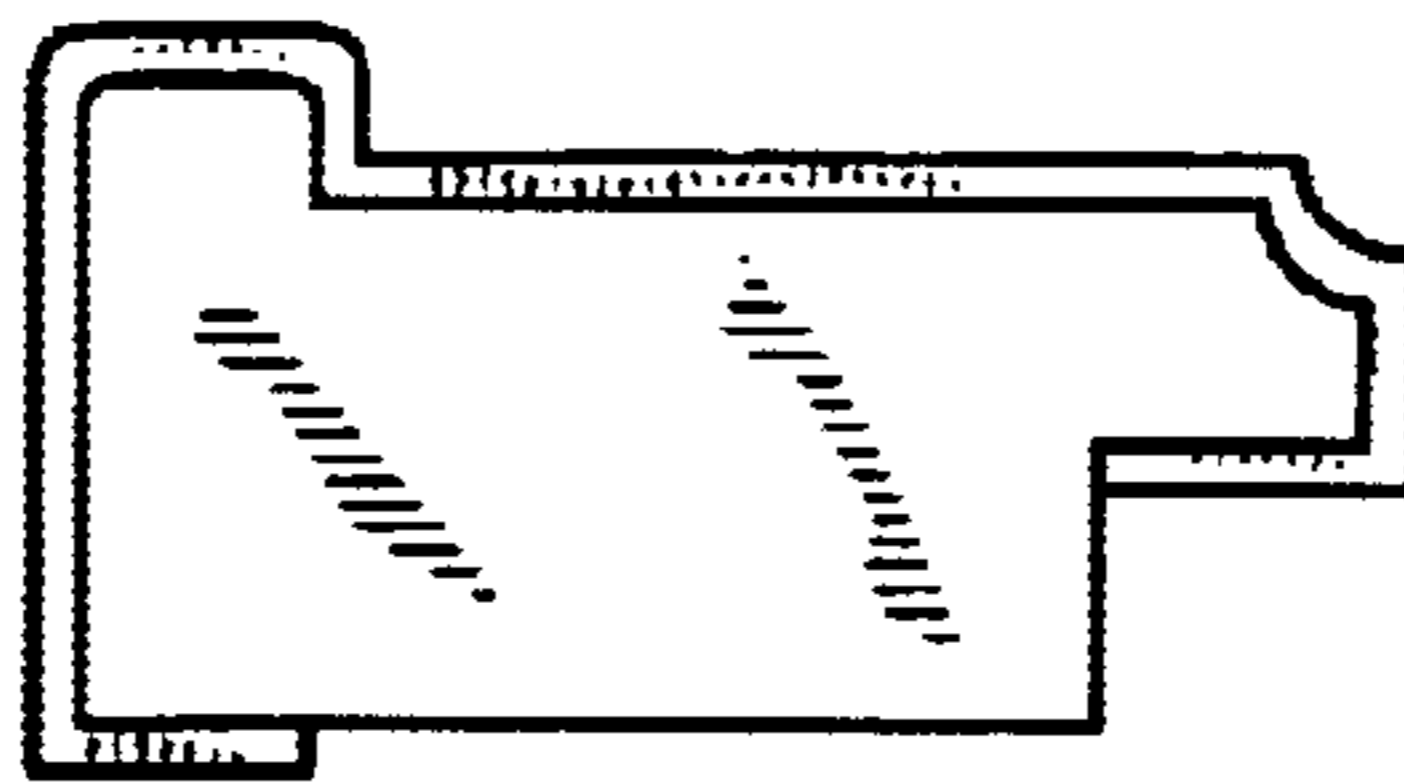


FIG. 3

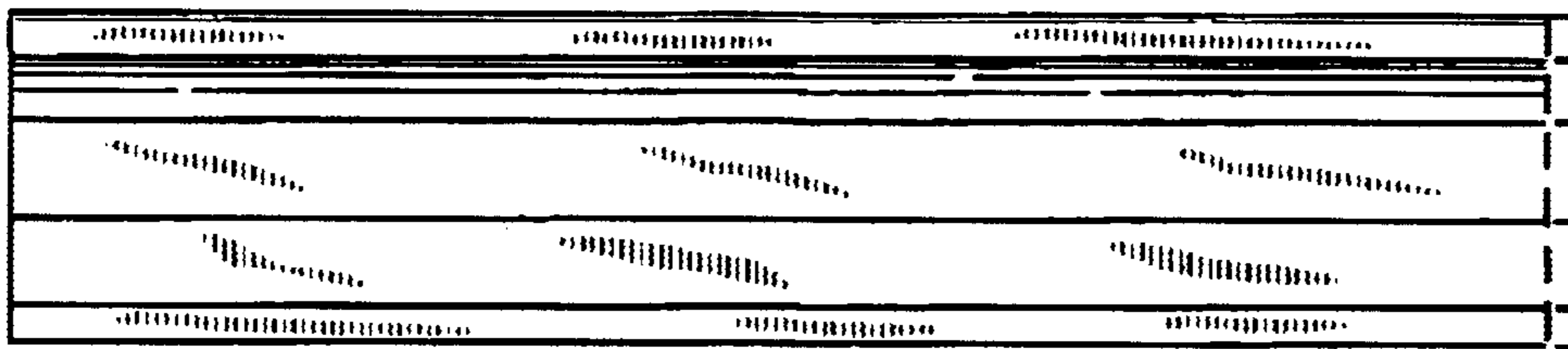


FIG. 4

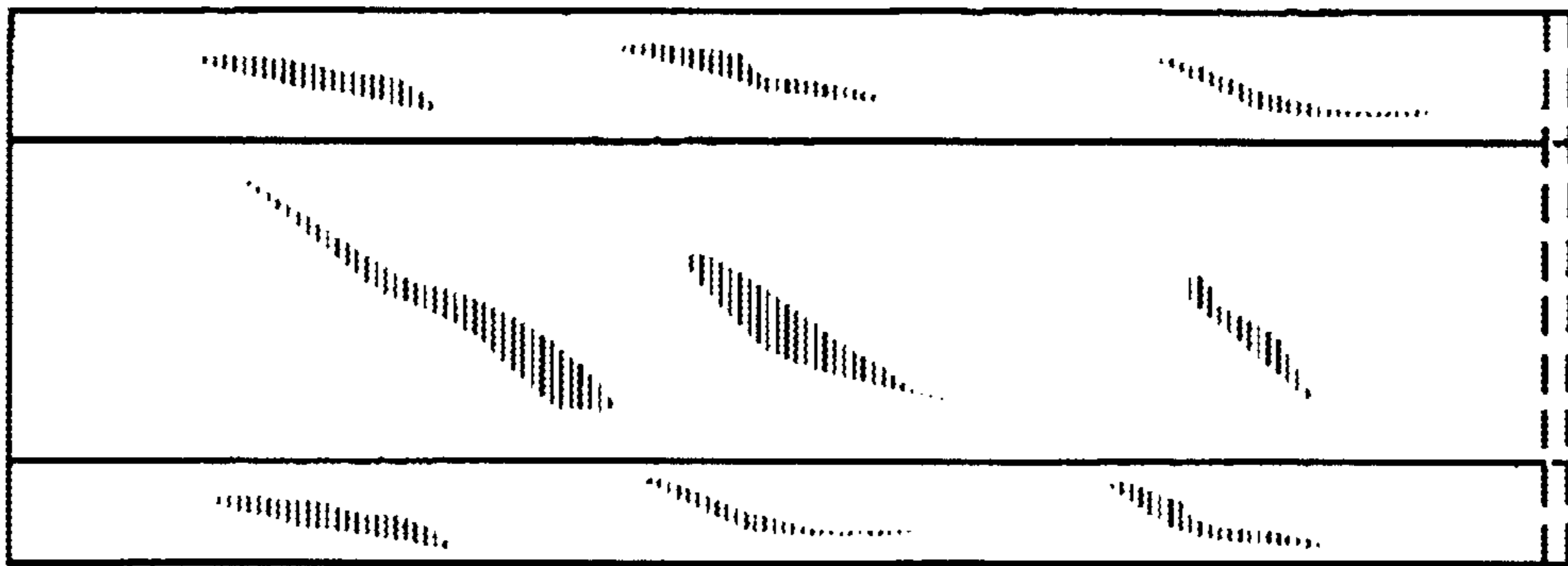


FIG. 5

