



US00D489129S

(12) **United States Design Patent**
King et al.

(10) **Patent No.:** **US D489,129 S**

(45) **Date of Patent:** **** Apr. 27, 2004**

(54) **RESPIRATORY THERAPY DEVICE**

(75) Inventors: **Gregory S. King**, Cazenovia, NY (US);
Richard K. Pelerossi, Rome, NY (US);
Fredrick M. Richards, Clinton, NY
(US); **Deborah A. Laun**, Syracuse, NY
(US)

(73) Assignee: **DHD Healthcare Corporation**,
Wampsville, NY (US)

(**) Term: **14 Years**

(21) Appl. No.: **29/173,772**

(22) Filed: **Jan. 3, 2003**

(51) **LOC (7) Cl.** **29-02**

(52) **U.S. Cl.** **D24/110; D24/164**

(58) **Field of Search** D24/110, 129,
D24/164, 165; 600/530, 533, 540, 538,
539; 128/200.24, 200.23, 201.28, 863, 205.23,
205.24, 204.25, 204.15, 204.19

(56) **References Cited**

U.S. PATENT DOCUMENTS

D214,972 S	8/1969	Katerndahl	D24/110
4,221,381 A	* 9/1980	Ericson	600/540
D315,583 S	* 3/1991	Larson et al.	D24/164
5,829,429 A	11/1998	Hughes	128/200.24
5,893,361 A	4/1999	Hughes	128/200.24
D412,979 S	8/1999	Weinstein et al.	D24/110
D416,085 S	11/1999	Forssell et al.	D24/110

D440,651 S	4/2001	Foran et al.	
6,253,766 B1	* 7/2001	Niles et al. 128/204.24
6,450,969 B1	* 9/2002	Farr et al. 600/538
6,581,598 B1	* 6/2003	Foran et al. 128/204.23

* cited by examiner

Primary Examiner—Ian Simmons

(74) *Attorney, Agent, or Firm*—August E. Roehrig, Jr.;
Hancock & Estabrook, LLP

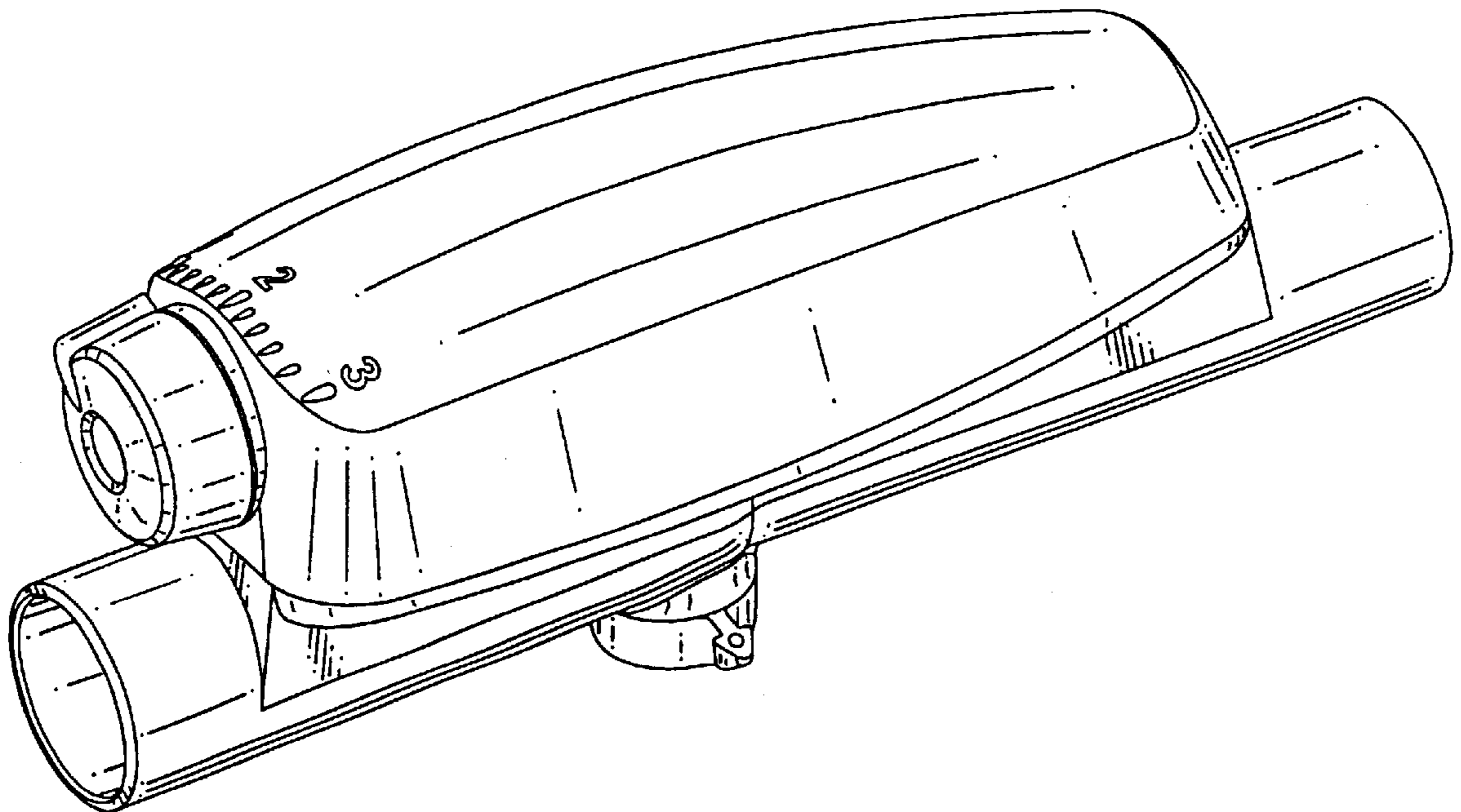
(57) **CLAIM**

The ornamental design for a respiratory therapy device, as shown and described.

DESCRIPTION

FIG. 1 is a top perspective view of the respiratory therapy device;
 FIG. 2 is a bottom perspective view of the respiratory therapy device;
 FIG. 3 is a side elevational view of the respiratory therapy device;
 FIG. 4 is a top plan view of the respiratory therapy device;
 FIG. 5 is a bottom plan view of the respiratory therapy device;
 FIG. 6 is a side elevational view of the side opposite that shown in FIG. 3;
 FIG. 7 is an end elevational view of the respiratory therapy device; and,
 FIG. 8 is an elevational view of the end opposite to that shown in FIG. 7.

1 Claim, 3 Drawing Sheets



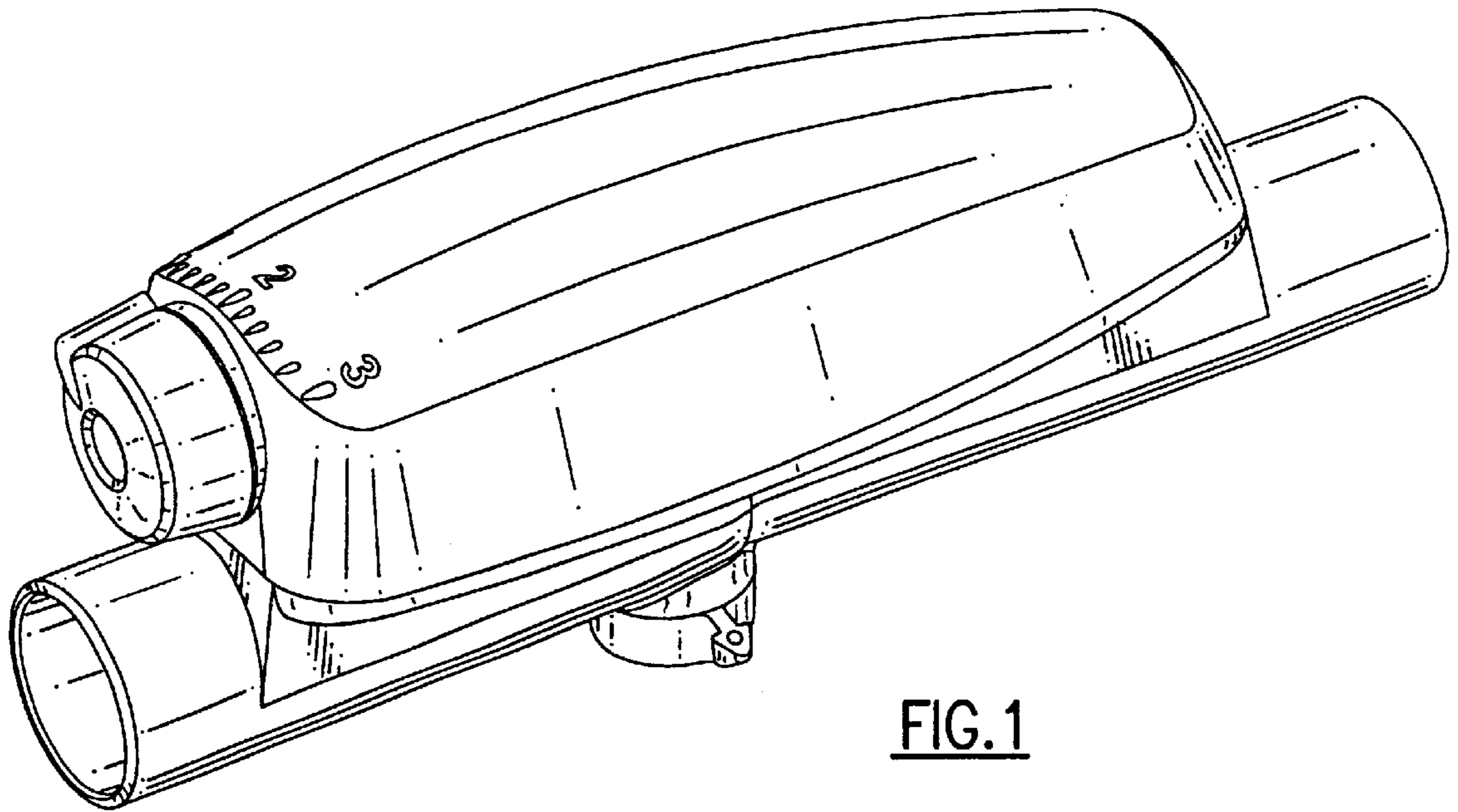


FIG. 1

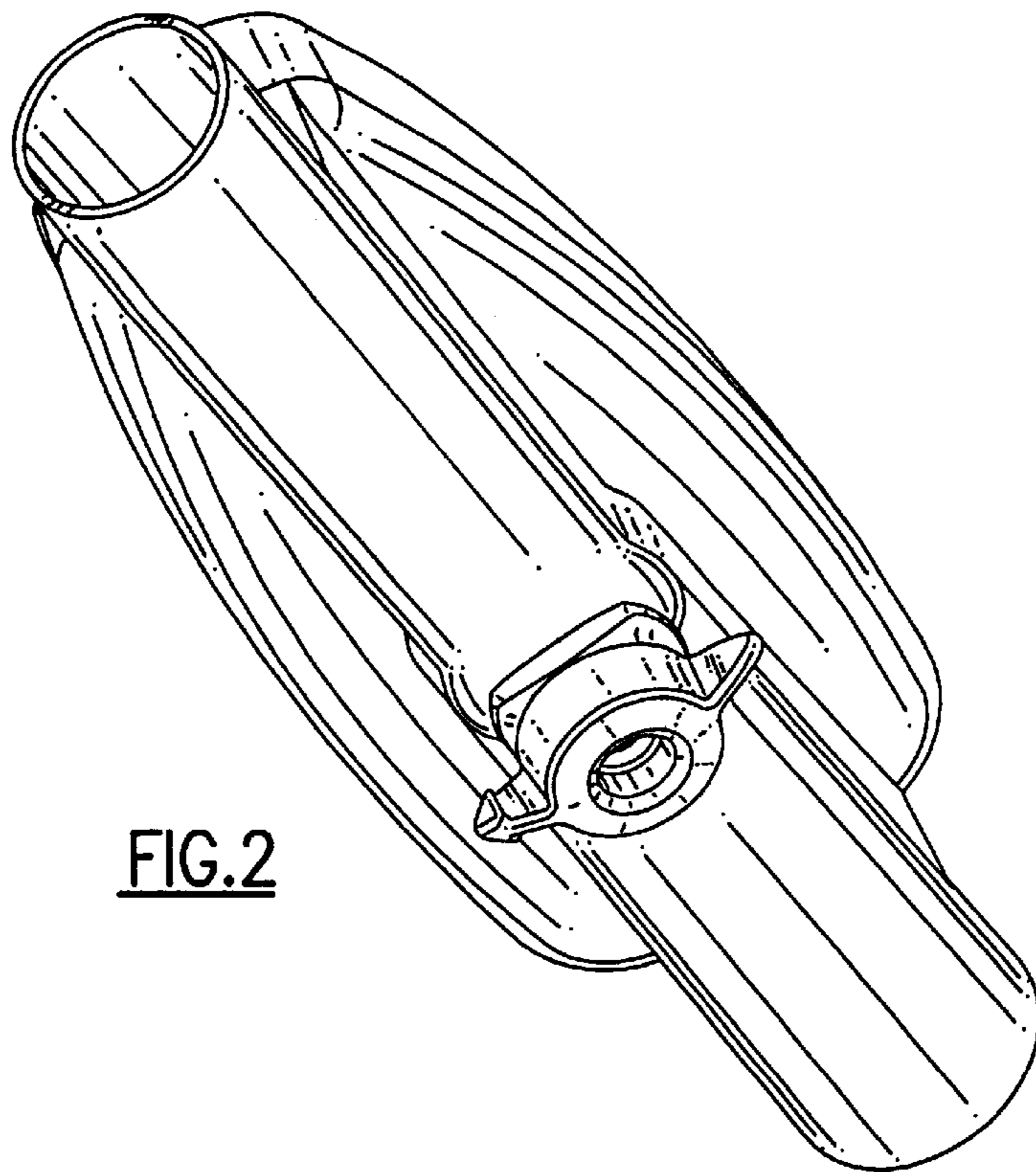


FIG. 2

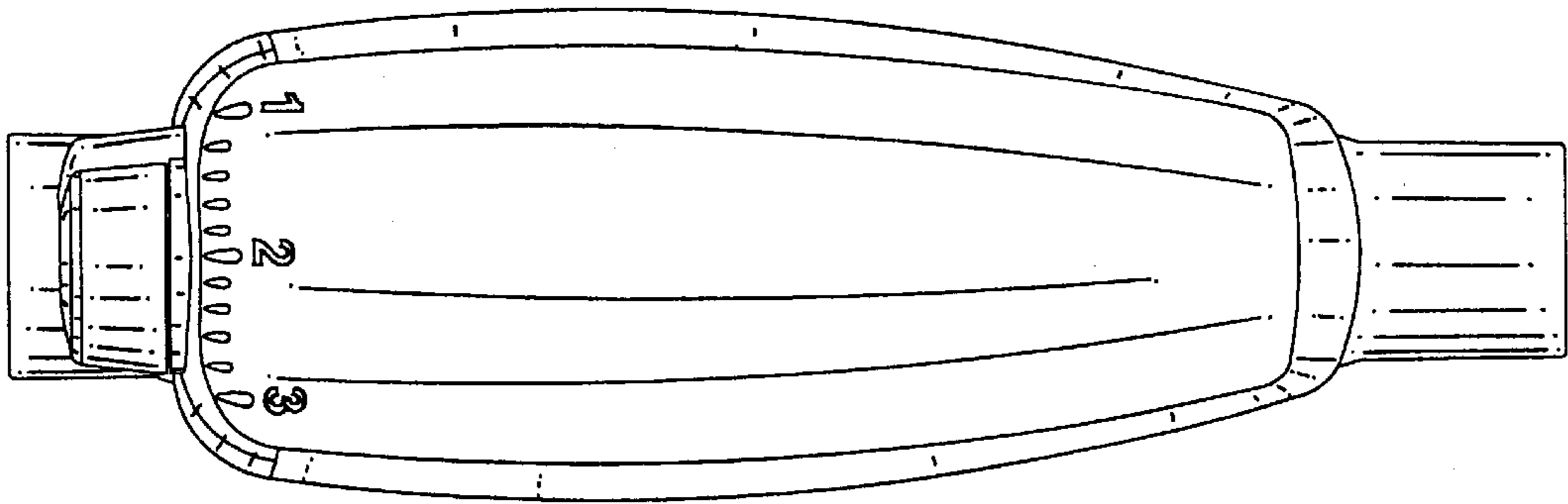


FIG. 4

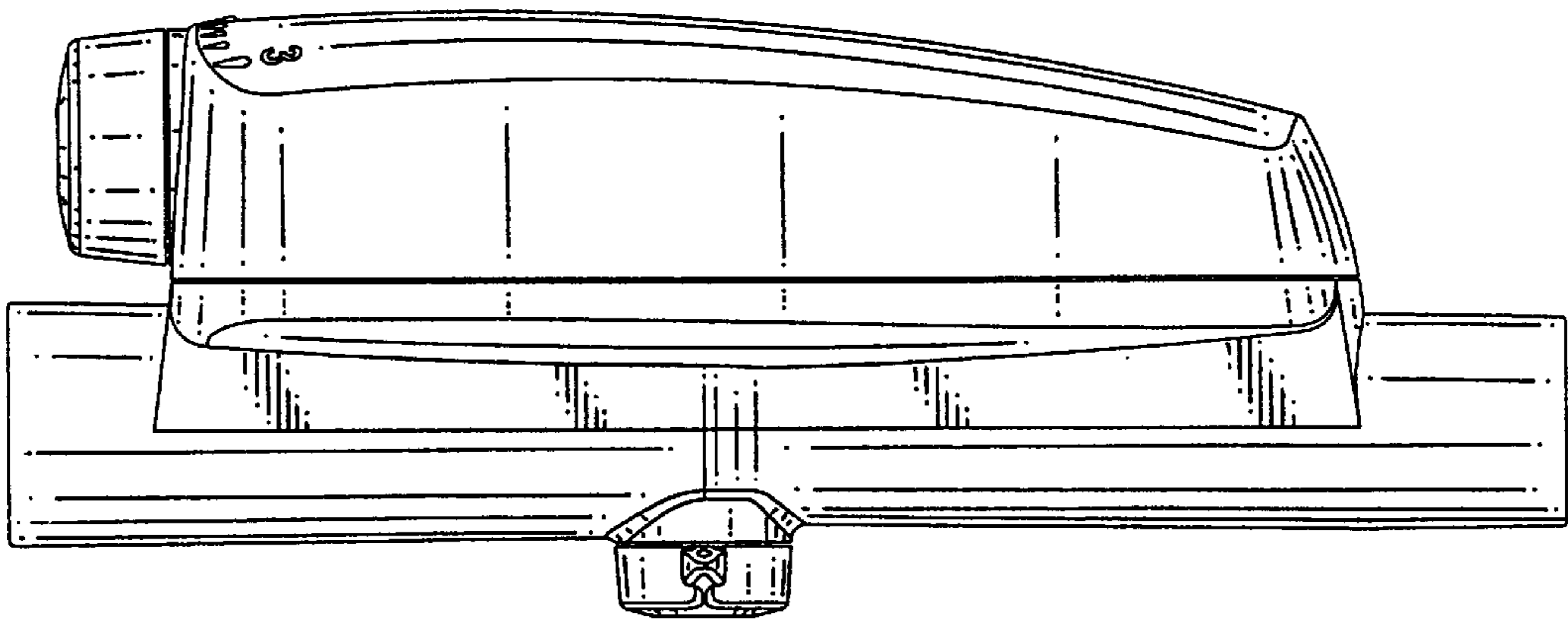


FIG. 3

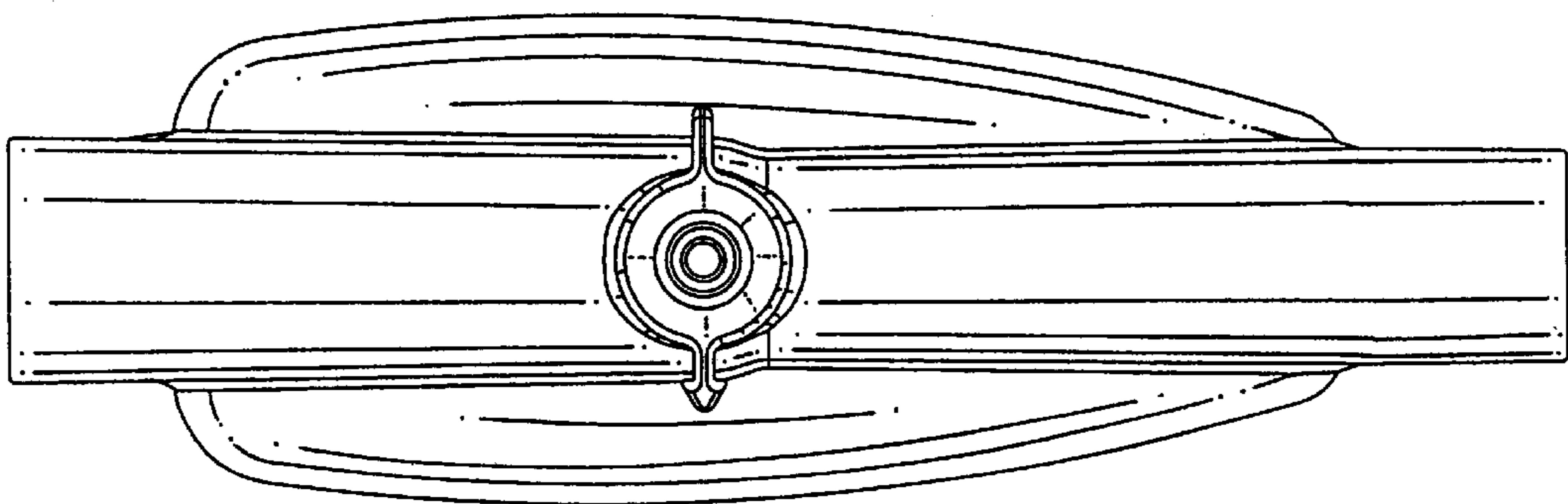


FIG. 5

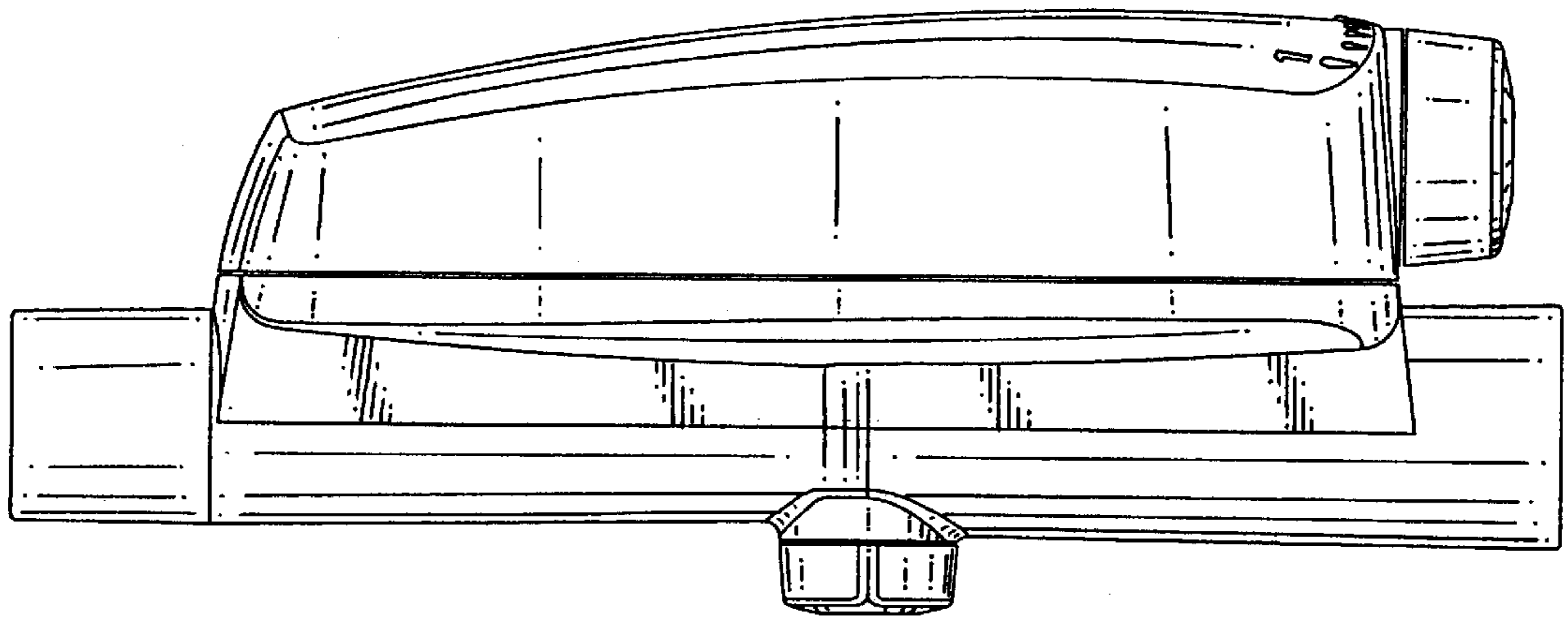


FIG. 6

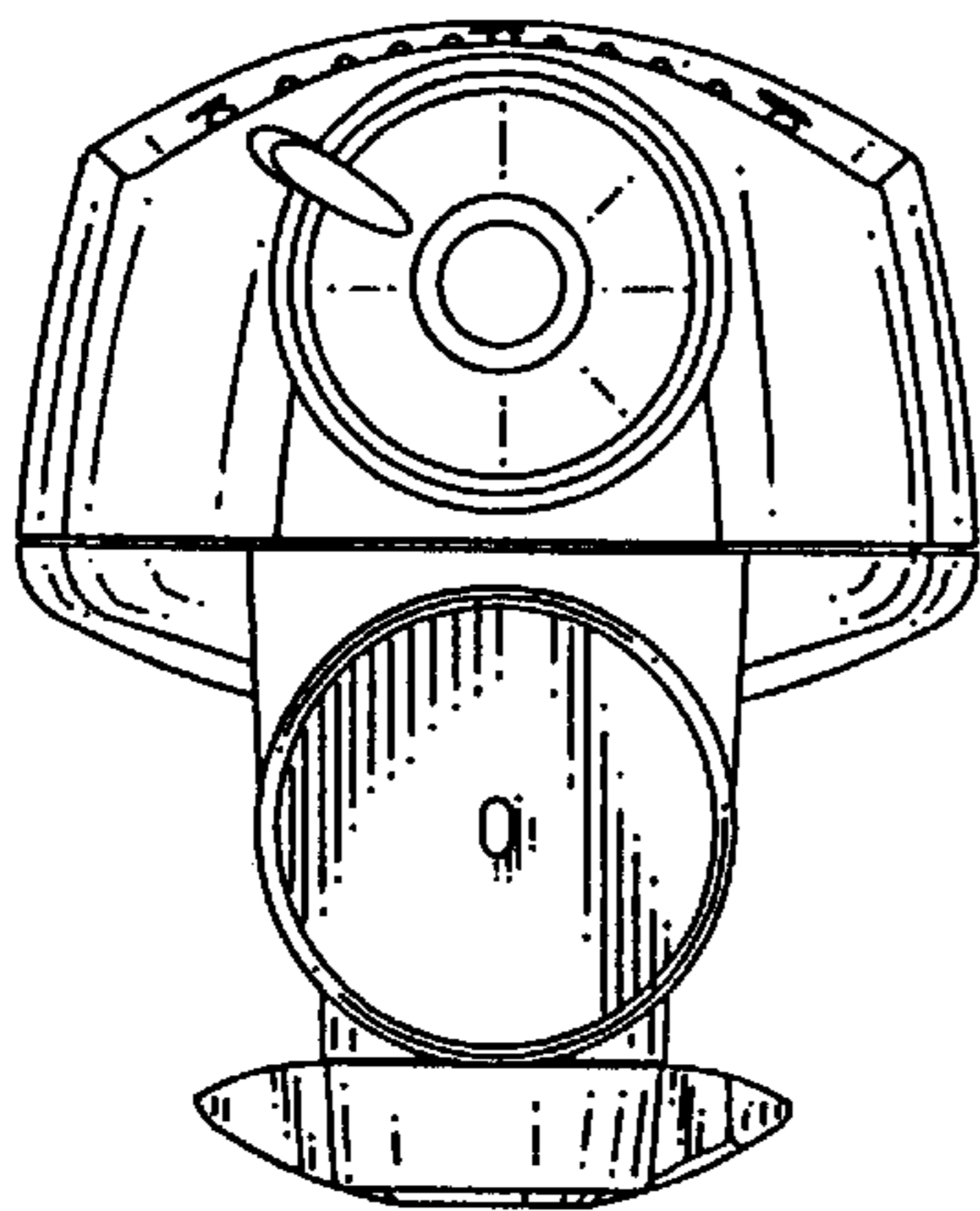


FIG. 7

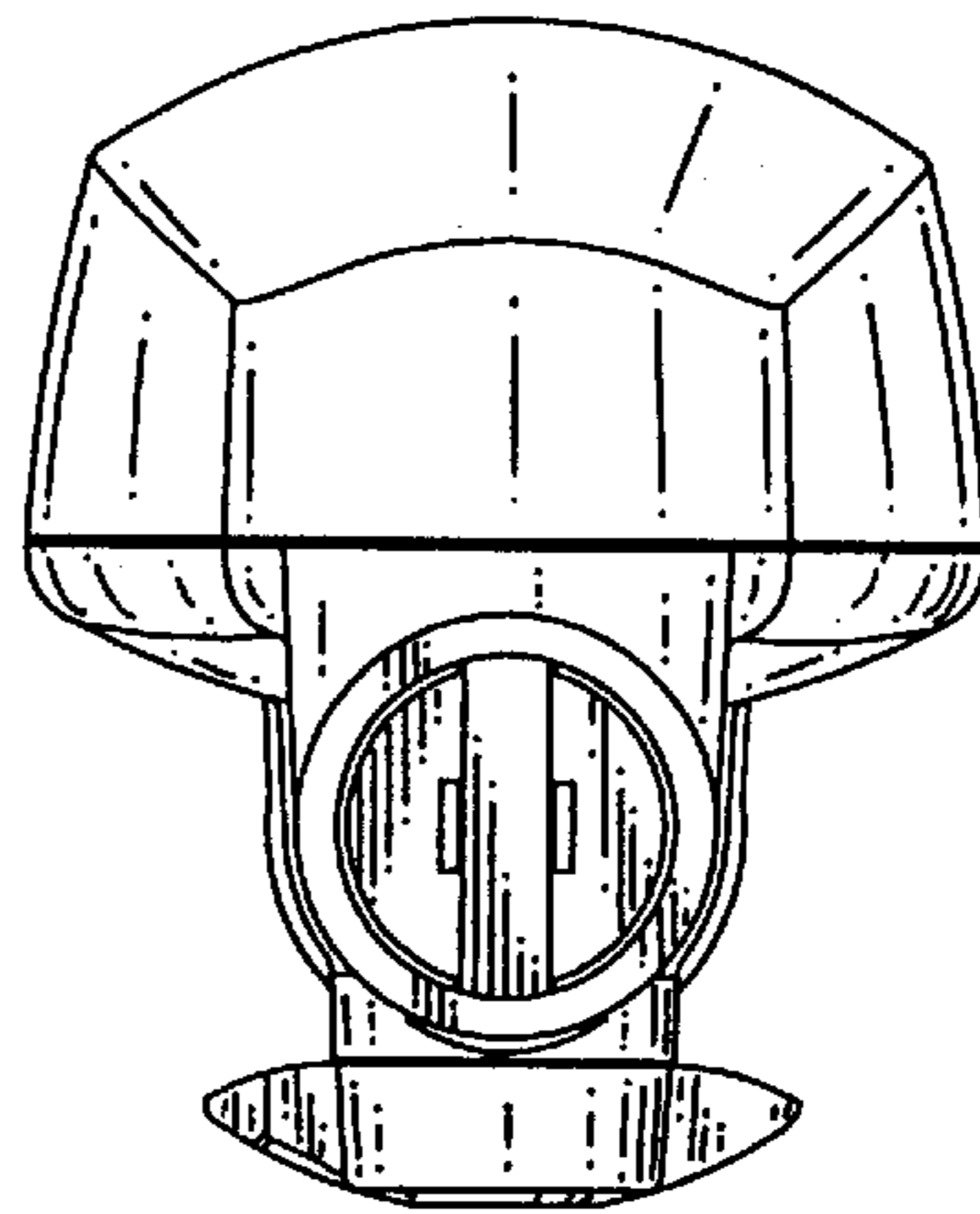


FIG. 8