



US00D489127S

(12) **United States Design Patent**
Young

(10) **Patent No.:** **US D489,127 S**

(45) **Date of Patent:** **** Apr. 27, 2004**

(54) **CEILING FAN BLADE IRON**

(75) Inventor: **Stanfield Young**, Cypress, CA (US)

(73) Assignee: **Minka Lighting, Inc.**, Corona, CA (US)

(**) Term: **14 Years**

(21) Appl. No.: **29/165,978**

(22) Filed: **Aug. 19, 2002**

(51) **LOC (7) Cl.** **23-04**

(52) **U.S. Cl.** **D23/411**

(58) **Field of Search** D23/411, 377,
D23/379, 385, 413; 416/5; 392/364; 362/96;
D26/59, 51, 72, 81-88, 86

(56) **References Cited**

U.S. PATENT DOCUMENTS

D425,610 S	*	5/2000	Gee, II	D23/377
D451,592 S	*	12/2001	Dolan	D23/411
D457,235 S	*	5/2002	Hidalgo	D23/411

* cited by examiner

Primary Examiner—Lisa Lichtenstein

(74) *Attorney, Agent, or Firm*—Jenkins & Gilchrist, P.C.

(57) **CLAIM**

The ornamental design for a ceiling fan blade iron, as shown and described.

DESCRIPTION

FIG. 1 is a perspective view from below of the ceiling fan

blade iron shown in its environment in accordance with my design;

FIG. 2 is a bottom plan view of the ceiling fan blade iron on a reduced scale shown in its environment in accordance with my design;

FIG. 3 is a right side view of the ceiling fan blade iron on a reduced scale showing the environment of the invention in accordance with my design;

FIG. 4 is a top plan view of the ceiling fan blade iron on a reduced scale shown in its environment in accordance with my design;

FIG. 5 is a left side view of the ceiling fan blade iron on a reduced scale shown in its environment in accordance with my design;

FIG. 6 is a bottom plan view of the ceiling fan blade iron in accordance with my design;

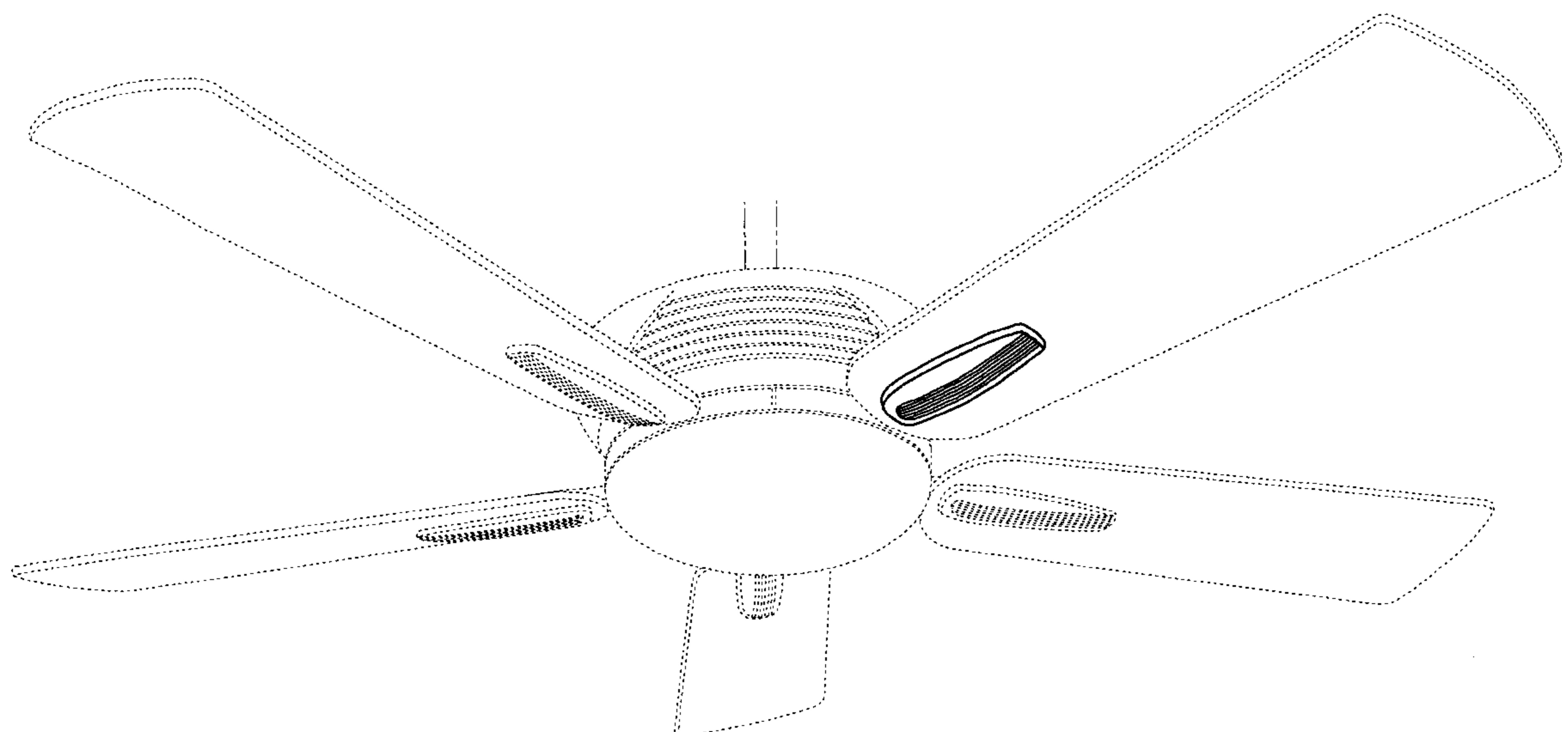
FIG. 7 is a top plan view of the ceiling fan blade iron; and,

FIG. 8 is an end view of the ceiling fan blade iron in accordance with my design.

The surfaces of the ceiling fan blade iron that attach to the ceiling fan blade are flat and unadorned and no claim thereto is made.

The broken line showing of environmental structure in FIGS. 1-8 is for illustrative purposes only and forms no part of the claimed design.

1 Claim, 4 Drawing Sheets



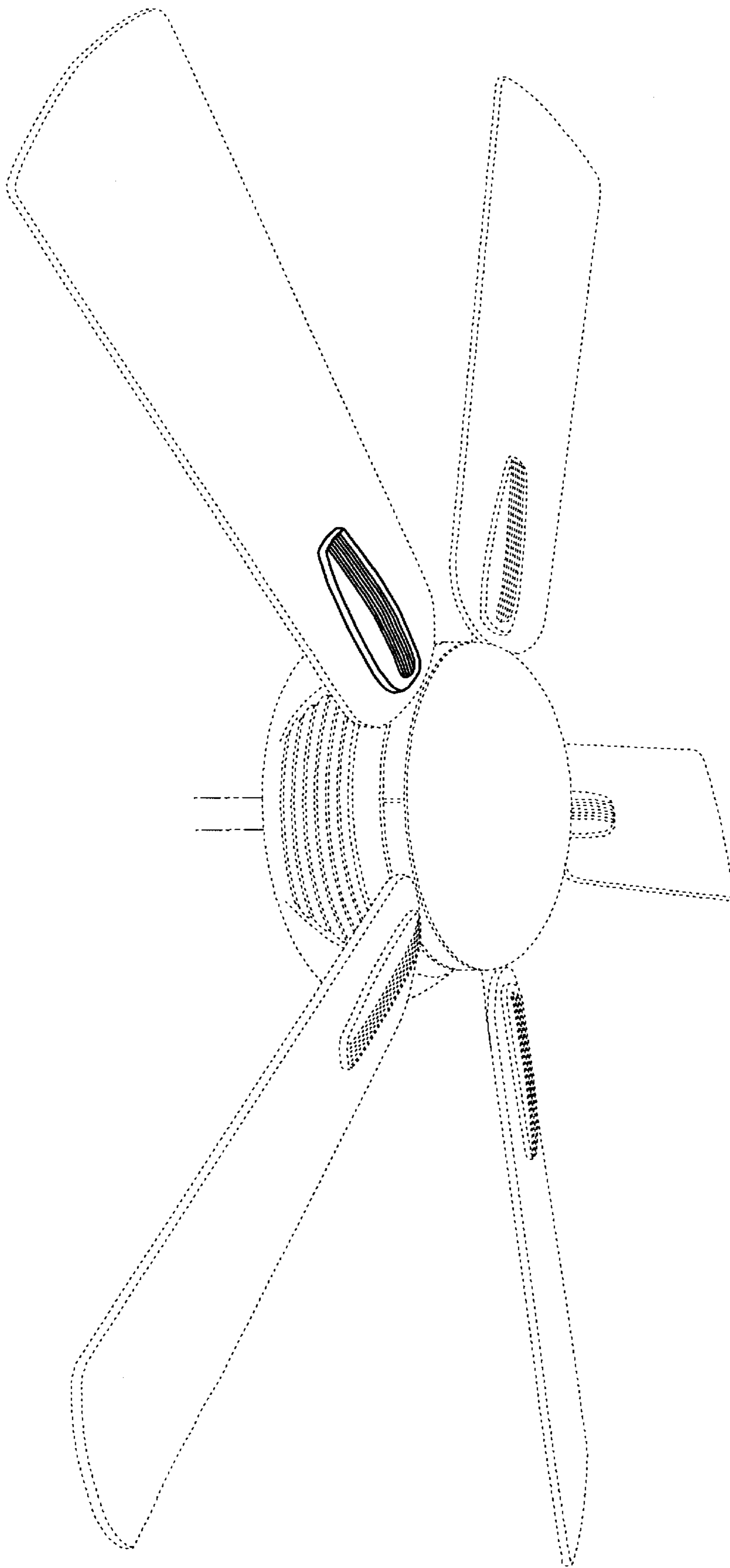


Fig. 1

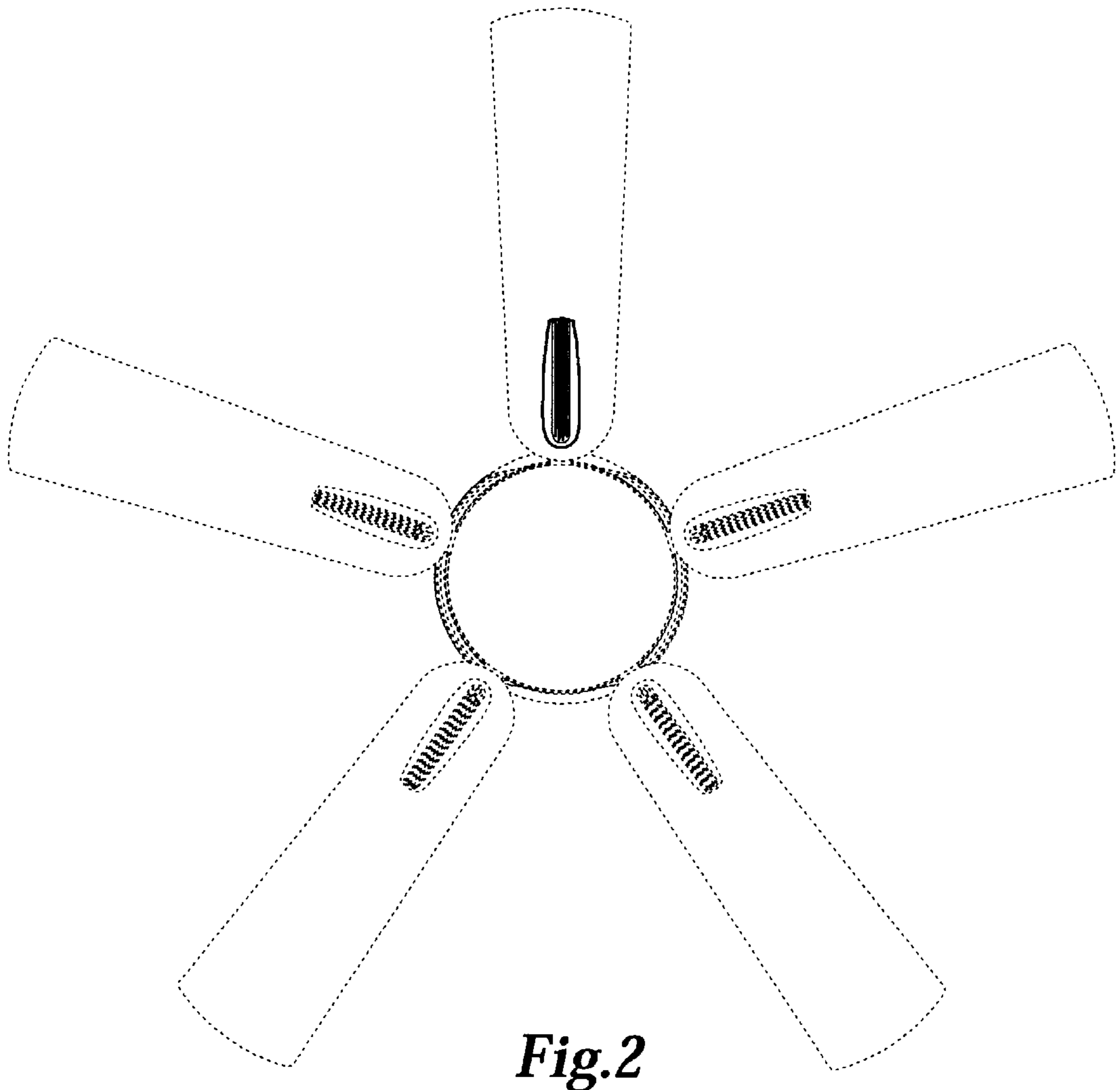


Fig. 2

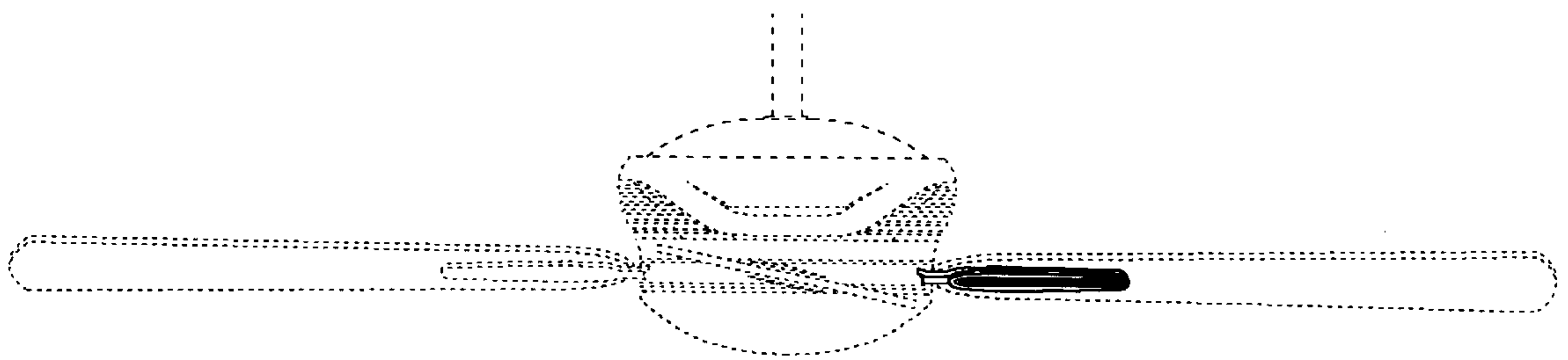


Fig. 3

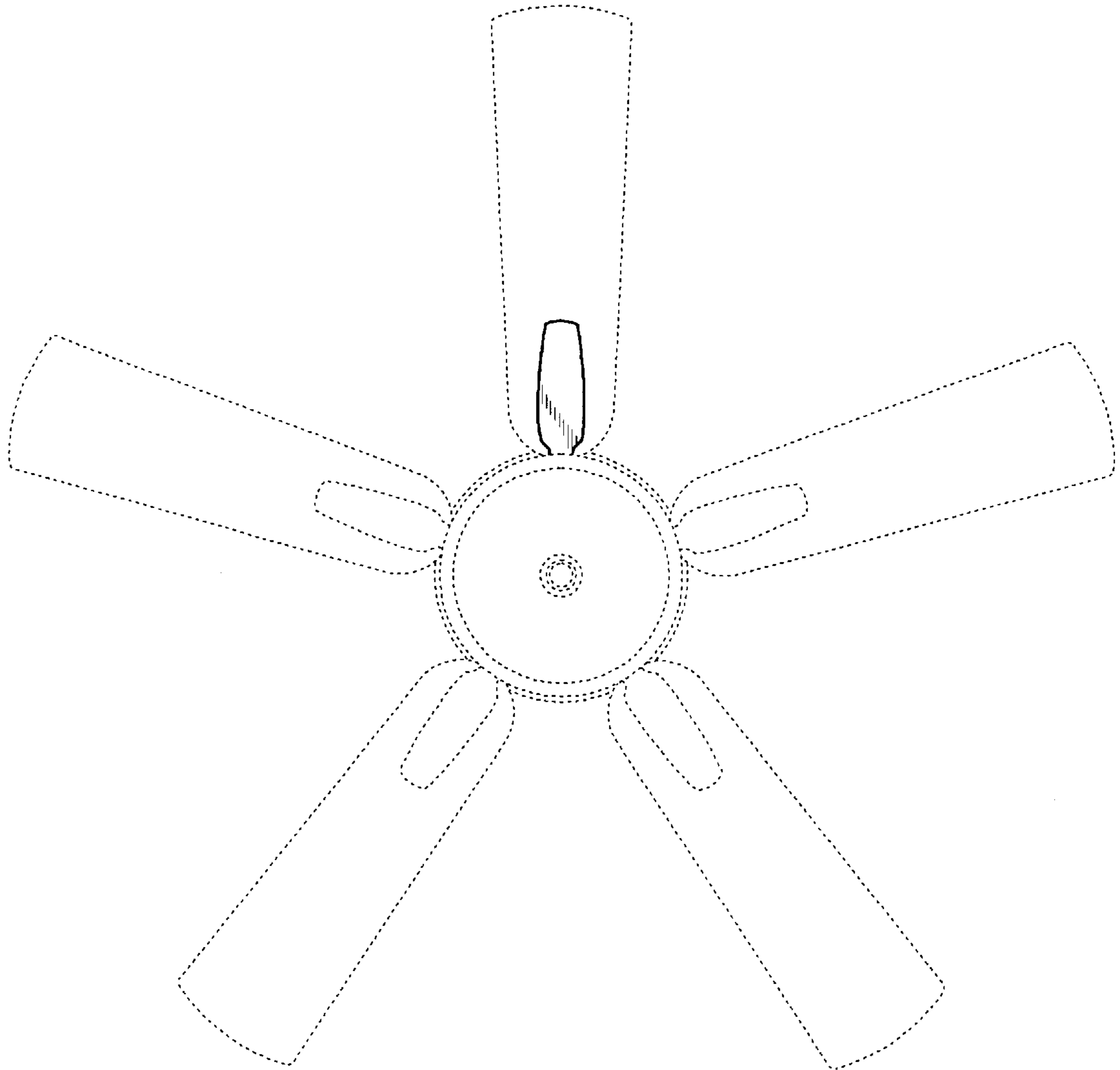


Fig.4

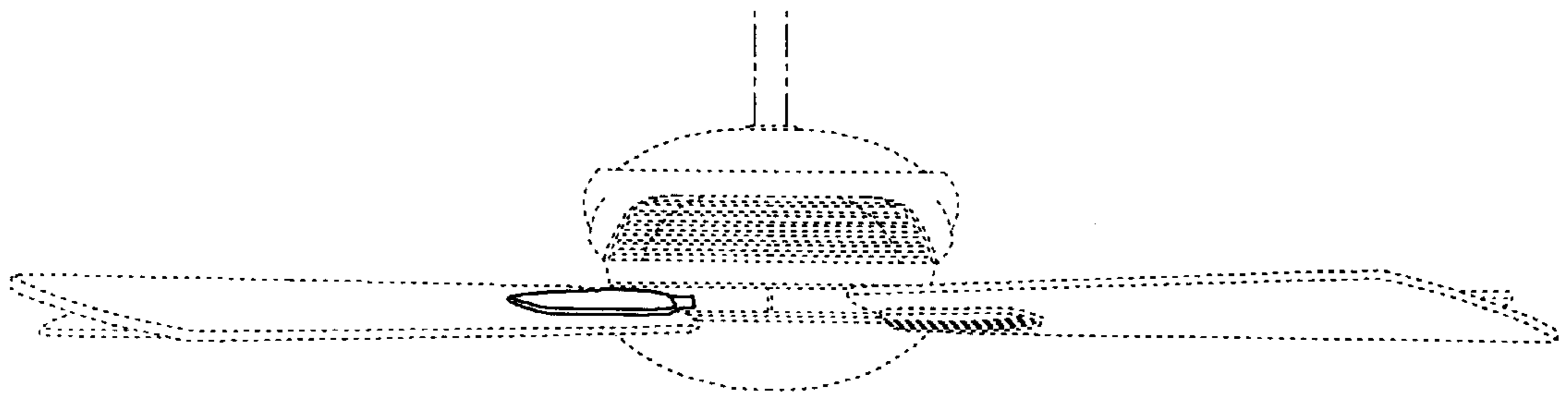


Fig.5

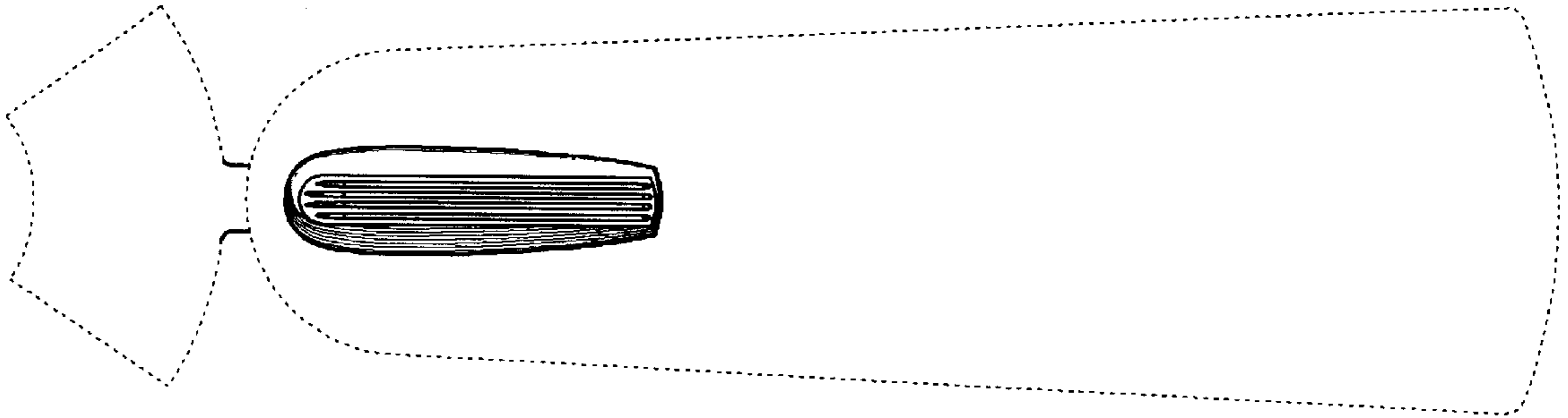


Fig. 6

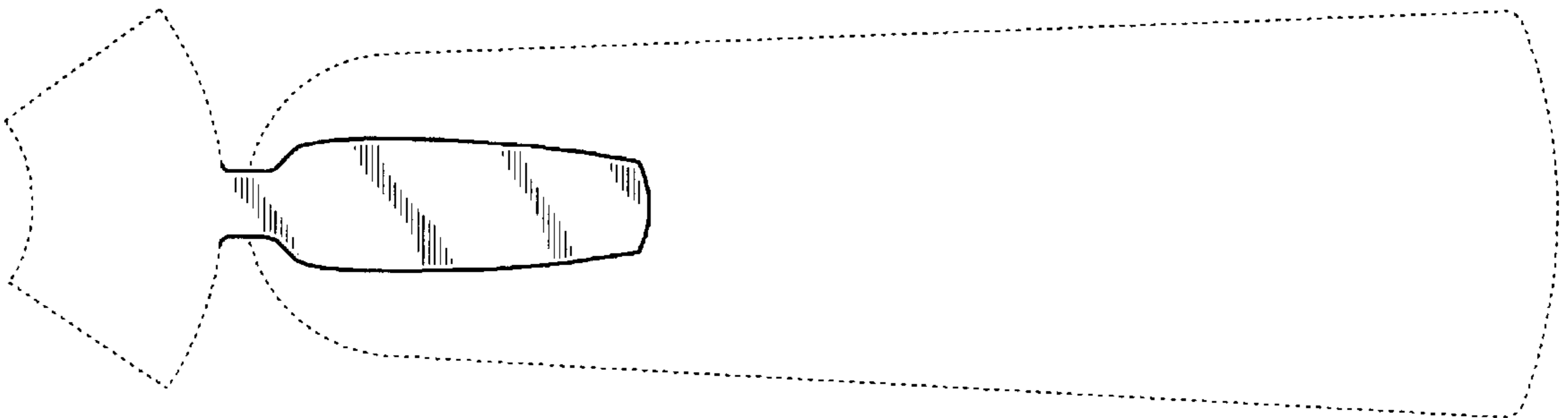


Fig. 7

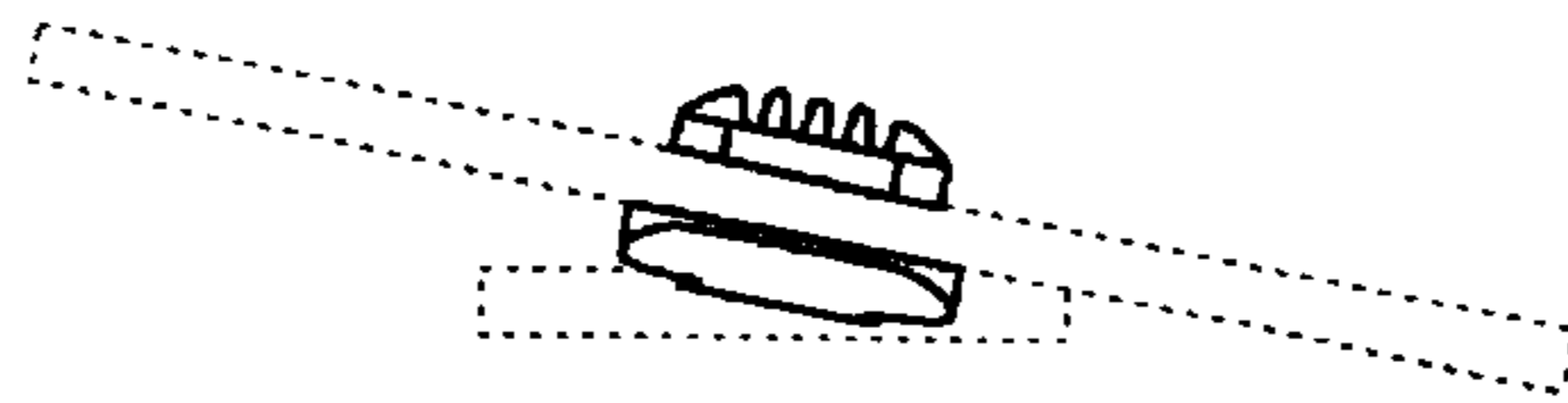


Fig. 8