



US00D489126S

(12) **United States Design Patent**  
**Young**

(10) **Patent No.:** **US D489,126 S**

(45) **Date of Patent:** **\*\* Apr. 27, 2004**

(54) **CEILING FAN HOUSING**

(75) Inventor: **Stanfield Young**, Cypress, CA (US)

(73) Assignee: **Minka Lighting, Inc.**, Corona, CA (US)

(\*\*) Term: **14 Years**

(21) Appl. No.: **29/165,157**

(22) Filed: **Aug. 5, 2002**

(51) **LOC (7) Cl.** ..... **23-04**

(52) **U.S. Cl.** ..... **D23/411**

(58) **Field of Search** ..... D23/411, 377,  
D23/379, 384; 416/5; 392/364

(56) **References Cited**

**U.S. PATENT DOCUMENTS**

D402,026 S \* 12/1998 Chuang et al. .... D23/377  
D454,630 S \* 3/2002 Hidalgo ..... D23/377

**OTHER PUBLICATIONS**

Minka Lighting, Inc.; MinkaAire Two Thousand Two; Apr. 22, 2002; pp. 38,39; Minka Lighting, Inc.; U.S.A.

\* cited by examiner

*Primary Examiner*—Lisa Lichtenstein  
(74) *Attorney, Agent, or Firm*—Jenkins & Gilchrist, P.C.

(57) **CLAIM**

The ornamental design for a ceiling fan housing, as shown and described.

**DESCRIPTION**

FIG. 1 is a perspective view from below of the ceiling fan housing in accordance with my design.

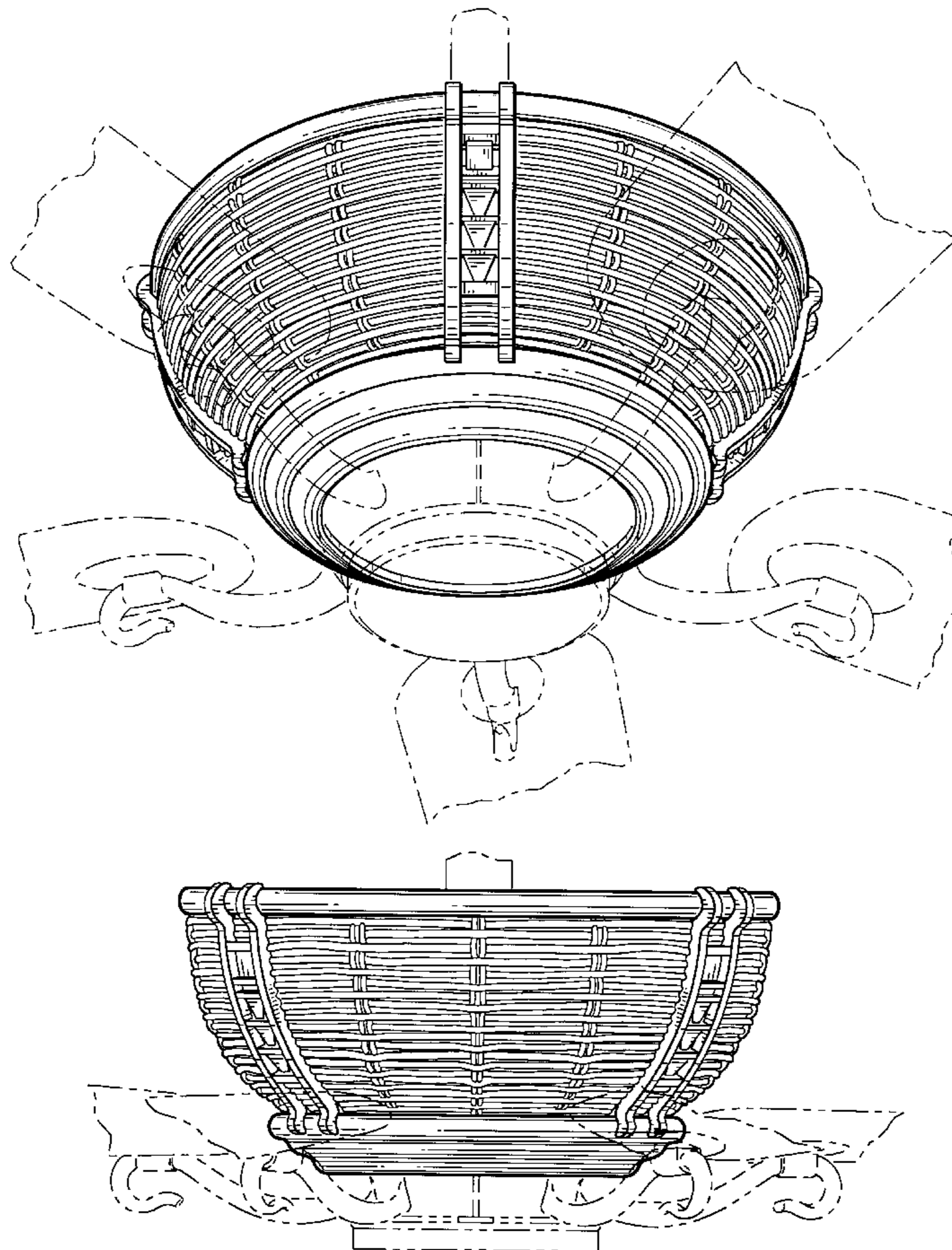
FIG. 2 is a side elevation view of the ceiling fan housing in accordance with my design;

FIG. 3 is a bottom plan view of the ceiling fan housing in accordance with my design; and,

FIG. 4 is a top plan view of the ceiling fan housing in accordance with my design.

The broken line showing of environmental structure in FIGS. 1–4 is for illustrative purposes only and forms no part of the claimed design. The front, back, left and right sides are identical except for position of the fan blades.

**1 Claim, 3 Drawing Sheets**



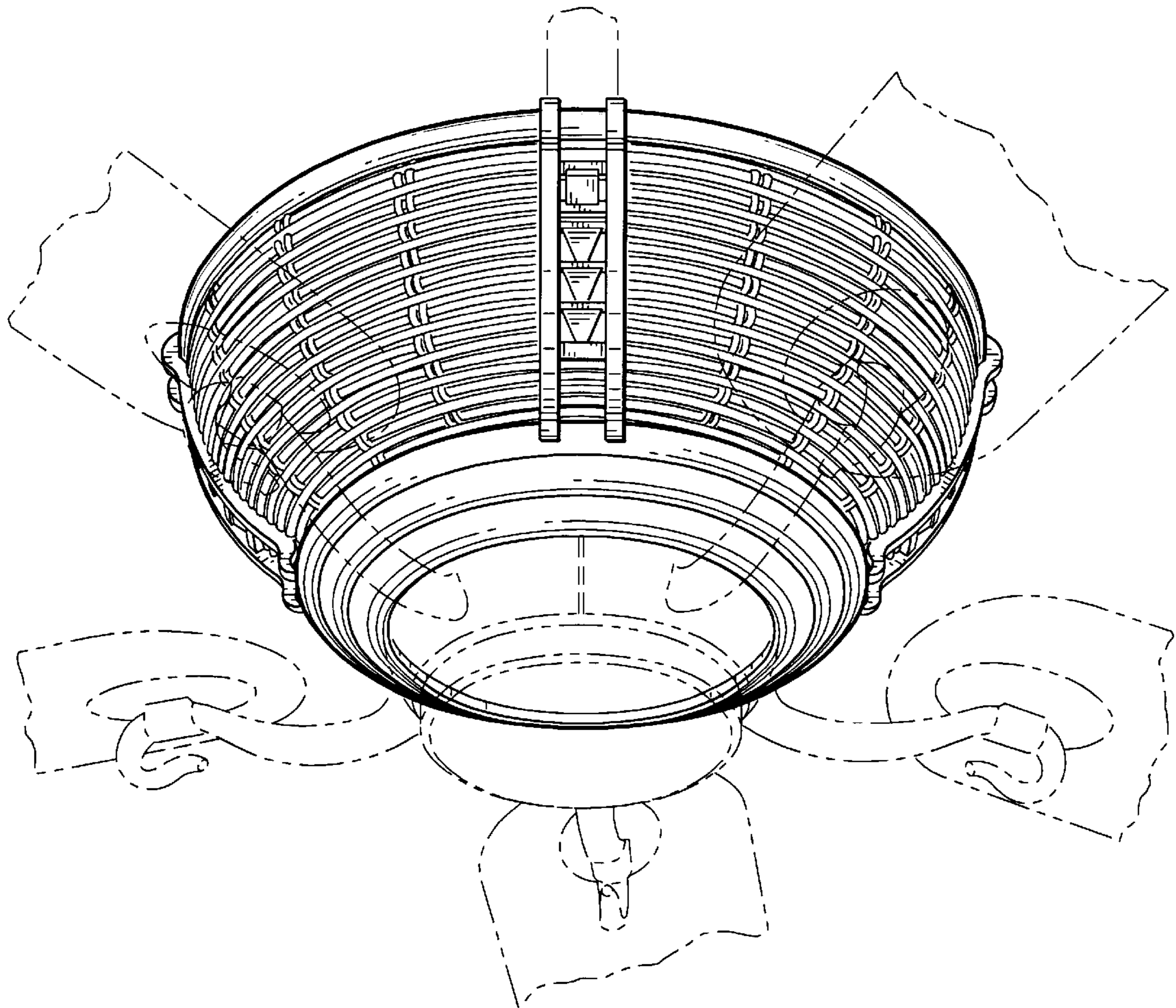


FIG. 1



FIG. 2

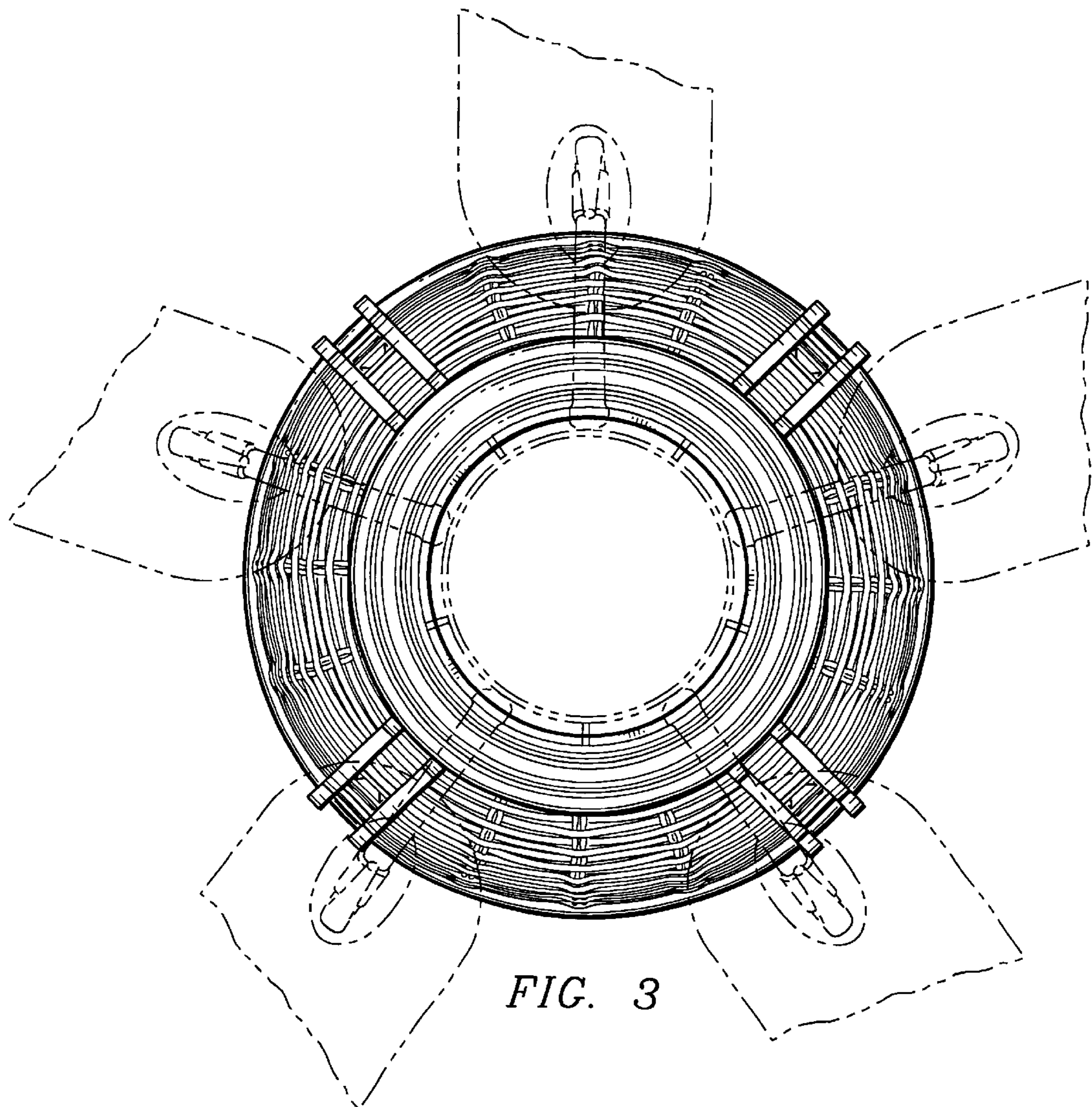
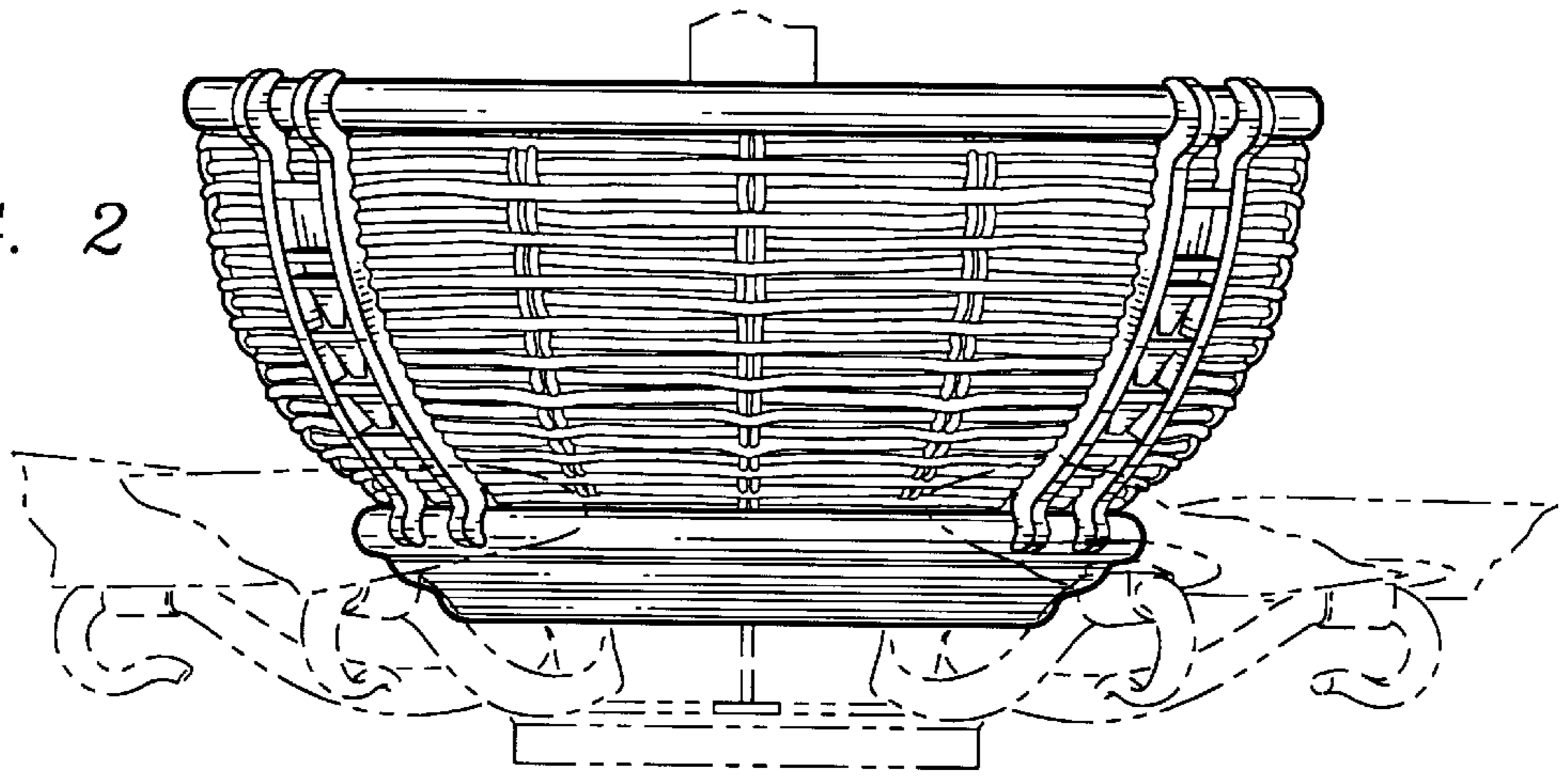


FIG. 3

