



US00D489124S

(12) **United States Design Patent**
Young

(10) **Patent No.:** **US D489,124 S**

(45) **Date of Patent:** **** Apr. 27, 2004**

(54) **COMBINATION CEILING FAN AND LIGHT FIXTURE**

Primary Examiner—Lisa Lichtenstein
(74) *Attorney, Agent, or Firm*—Jenkins & Gilchrist, P.C.

(75) **Inventor:** **Stanfield Young**, Cypress, CA (US)

(57) **CLAIM**

(73) **Assignee:** **Minka Lighting, Inc.**, Corona, CA (US)

The ornamental design for a combination ceiling fan and light fixture, as shown and described.

(**) **Term:** **14 Years**

DESCRIPTION

(21) **Appl. No.:** **29/165,154**

FIG. 1 is a perspective view from below of the combination ceiling fan and light fixture in accordance with my design. FIG. 2 is a top plan view of the combination ceiling fan and light fixture on a reduced scale in accordance with my design;

(22) **Filed:** **Aug. 5, 2002**

(51) **LOC (7) Cl.** **23-04**

(52) **U.S. Cl.** **D23/377**

(58) **Field of Search** D23/377, 379, D23/385, 411, 413; 416/5; 392/364; D26/59, 51, 72, 79, 81-86, 88; 362/96

FIG. 3 is a side elevation view of the combination ceiling fan and light fixture on a reduced scale in accordance with my design;

(56) **References Cited**

U.S. PATENT DOCUMENTS

- D408,074 S * 4/1999 Tai D23/377
- D417,494 S * 12/1999 Evans D23/377
- D425,610 S * 5/2000 Gee, II D23/377

FIG. 4 is a bottom plan view of the combination ceiling fan and light fixture on a reduced scale in accordance with my design; and,

FIG. 5 is a rear elevation view of the combination ceiling fan and light fixture on a reduced scale in accordance with my design.

The front, rear and side elevation views are identical except for the position of the blades.

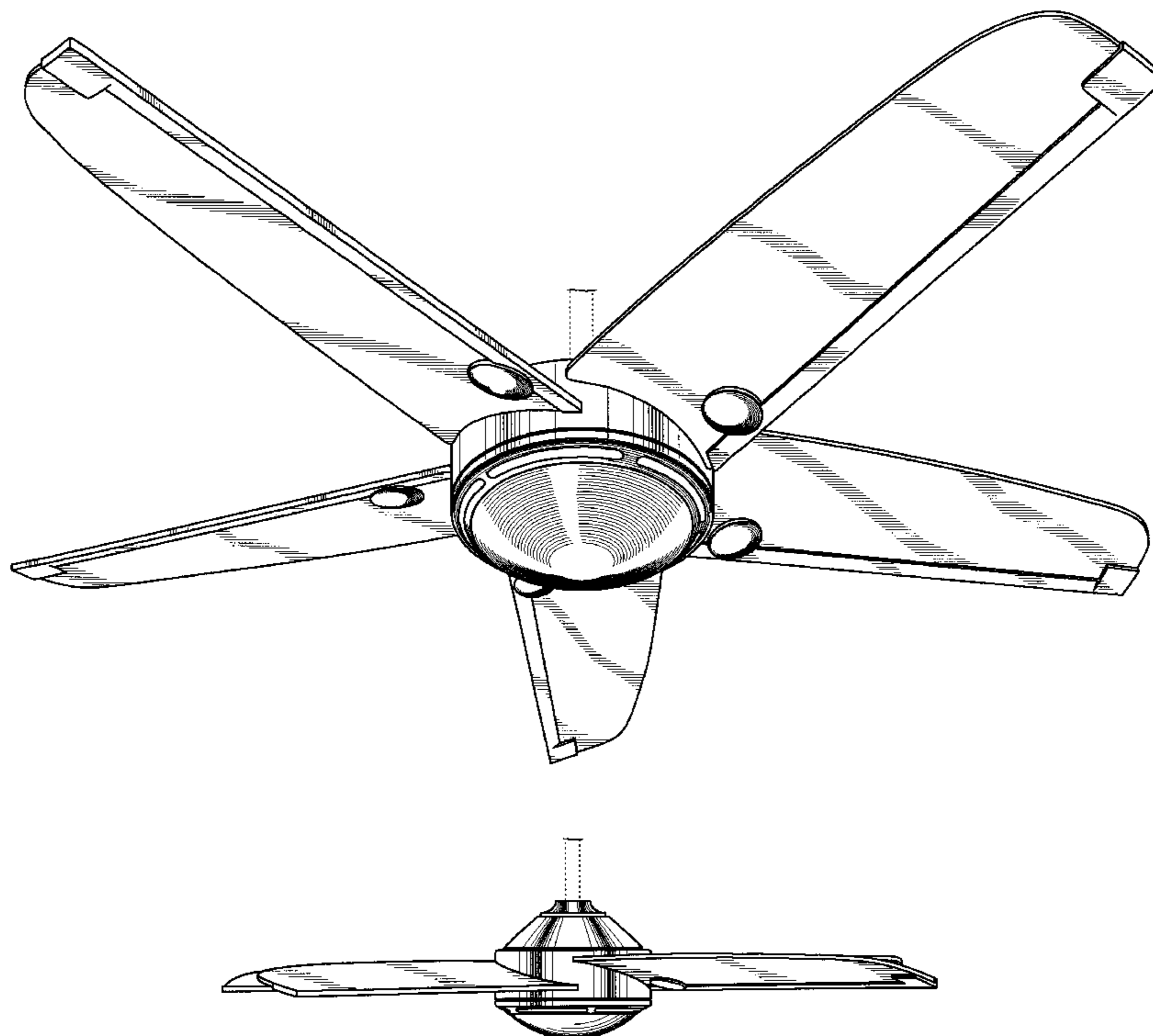
OTHER PUBLICATIONS

Minka Lighting, Inc.; MinkaAire Two Thousand Two; Apr. 22, 2002; pp. 24, 25; Minka Lighting, Inc.; U.S.A.

The broken line showing of environmental structure in FIGS. 1, 3 and 5 is for illustrative purposes only and forms no part of the claimed design.

* cited by examiner

1 Claim, 3 Drawing Sheets



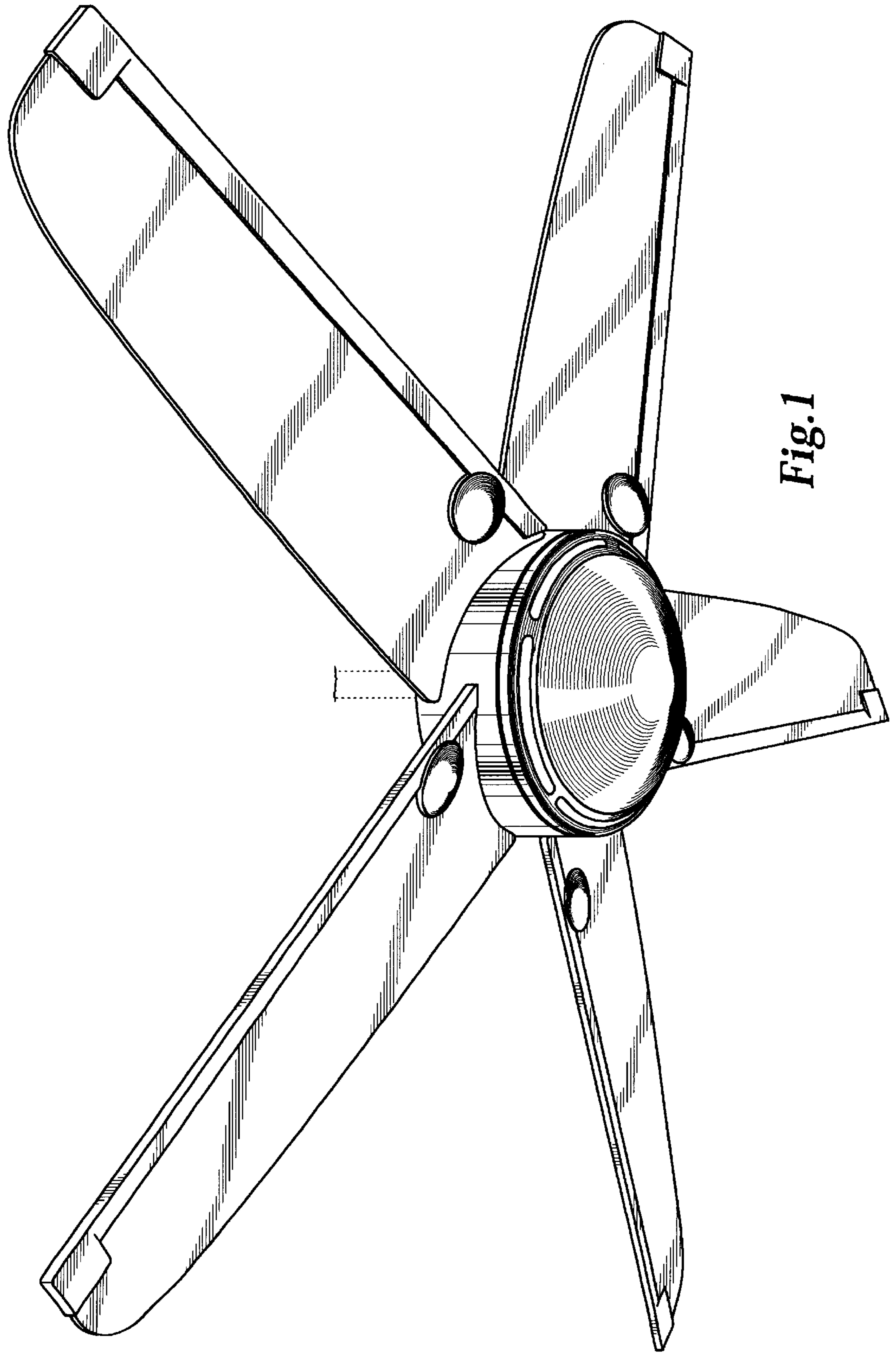


Fig. 1

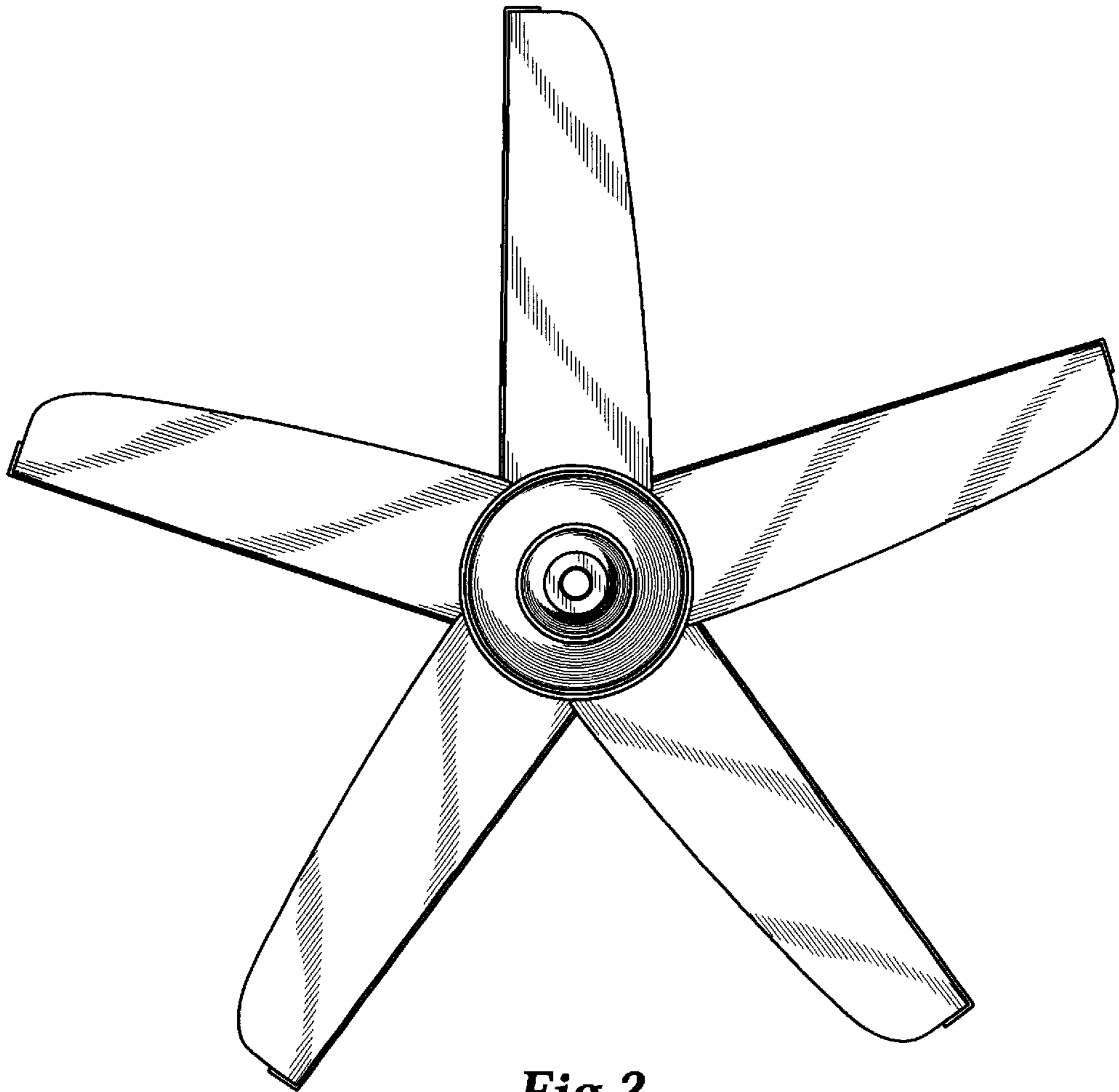


Fig. 2

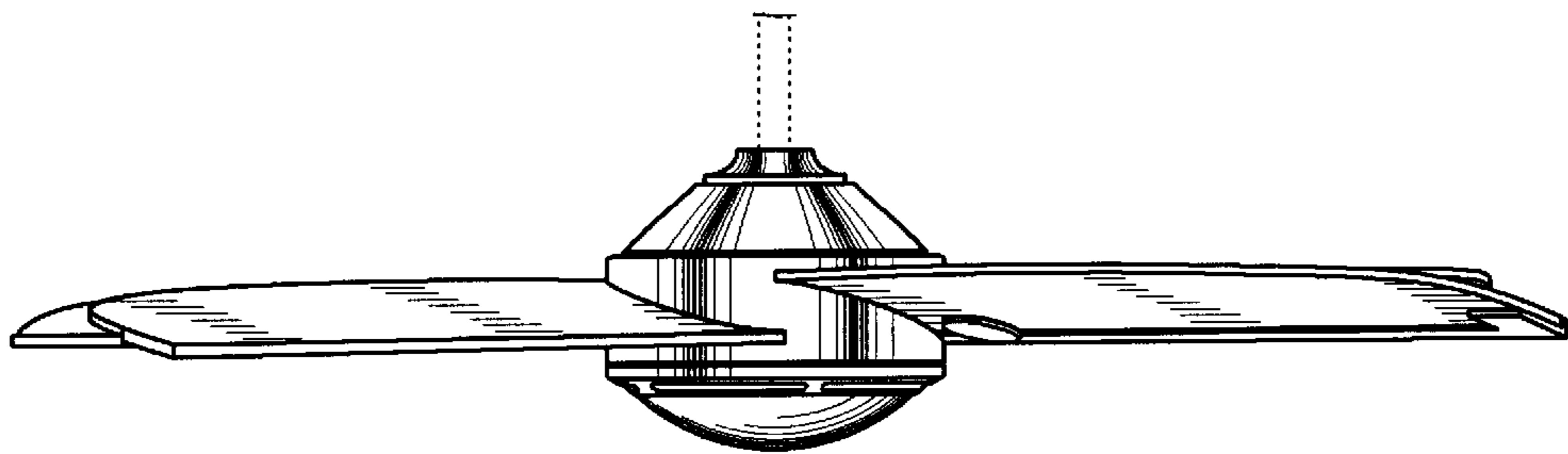


Fig. 3

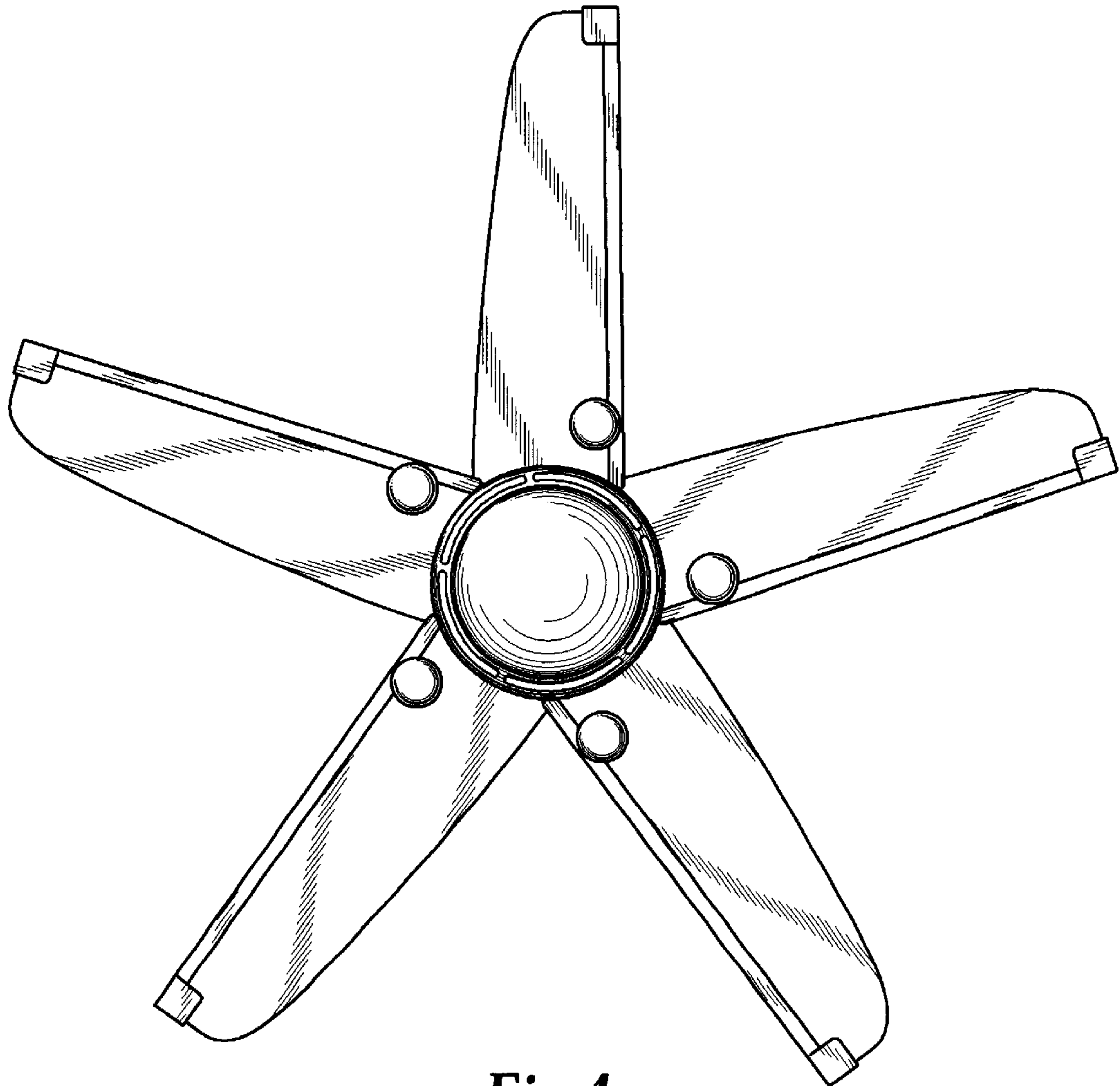


Fig.4

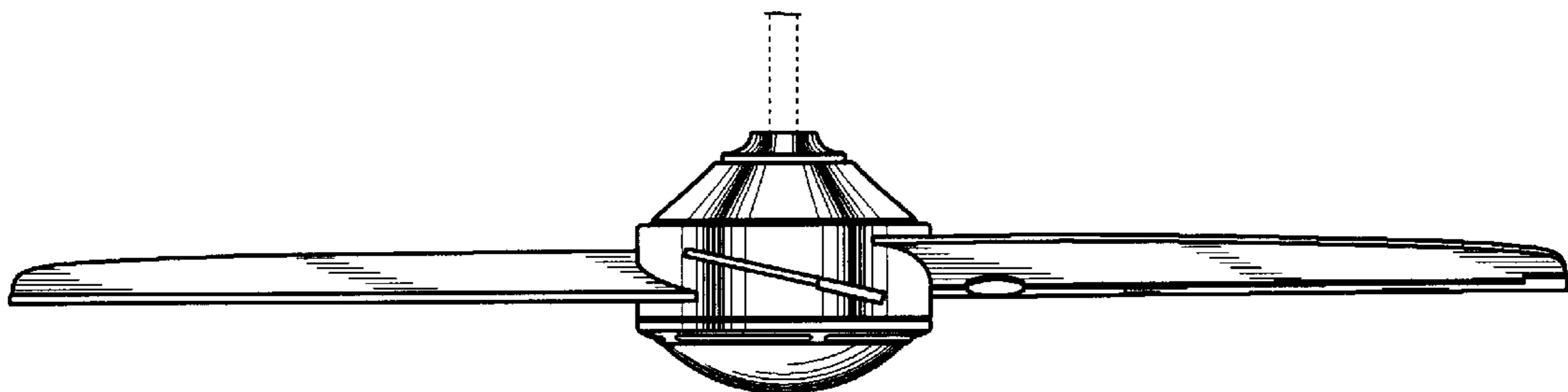


Fig.5