



US00D489123S

(12) **United States Design Patent**  
**Basagañas Millán**

(10) **Patent No.:** **US D489,123 S**

(45) **Date of Patent:** **\*\* Apr. 27, 2004**

(54) **ELECTRICAL AIR FRESHNER**

(75) Inventor: **Jordi Basagañas Millán**, Barcelona (ES)

(73) Assignee: **DBK Espana, S.A.**, Barcelona (ES)

(\*\*) Term: **14 Years**

(21) Appl. No.: **29/160,647**

(22) Filed: **May 14, 2002**

(30) **Foreign Application Priority Data**

Nov. 14, 2001 (ES) ..... 152.763

(51) **LOC (7) Cl.** ..... **23-04**

(52) **U.S. Cl.** ..... **D23/366**

(58) **Field of Search** ..... D23/366-369,  
D23/355, 356-363; 239/136, 135; 392/395,  
392, 403, 405; 422/305, 125

(56) **References Cited**

**U.S. PATENT DOCUMENTS**

D432,222 S \* 10/2000 Rymer et al. .... D23/366

D461,885 S \* 8/2002 Basagamas Millan .... D23/366

D466,205 S \* 11/2002 Garcia ..... D23/366

\* cited by examiner

*Primary Examiner*—Lisa Lichtenstein

(74) *Attorney, Agent, or Firm*—Katten Muchin Zavis Rosenman

(57) **CLAIM**

The ornamental design for an electrical air freshener, as shown and described.

**DESCRIPTION**

FIG. 1 is a top perspective view of an electrical air freshener showing my new design;

FIG. 2 is a front perspective view thereof;

FIG. 3 is a front elevation view of the body portion of the electrical air freshener shown separately for clarify of illustration;

FIG. 4 is a rear elevation view of FIG. 3;

FIG. 5 is a bottom view of FIG. 3;

FIG. 6 is a side elevation view of FIG. 3, the opposite side being a mirror image of that shown;

FIG. 7 is a top view of FIG. 3;

FIG. 8 is a bottom view of the container portion of the electrical air freshener shown separately for clarity of illustration;

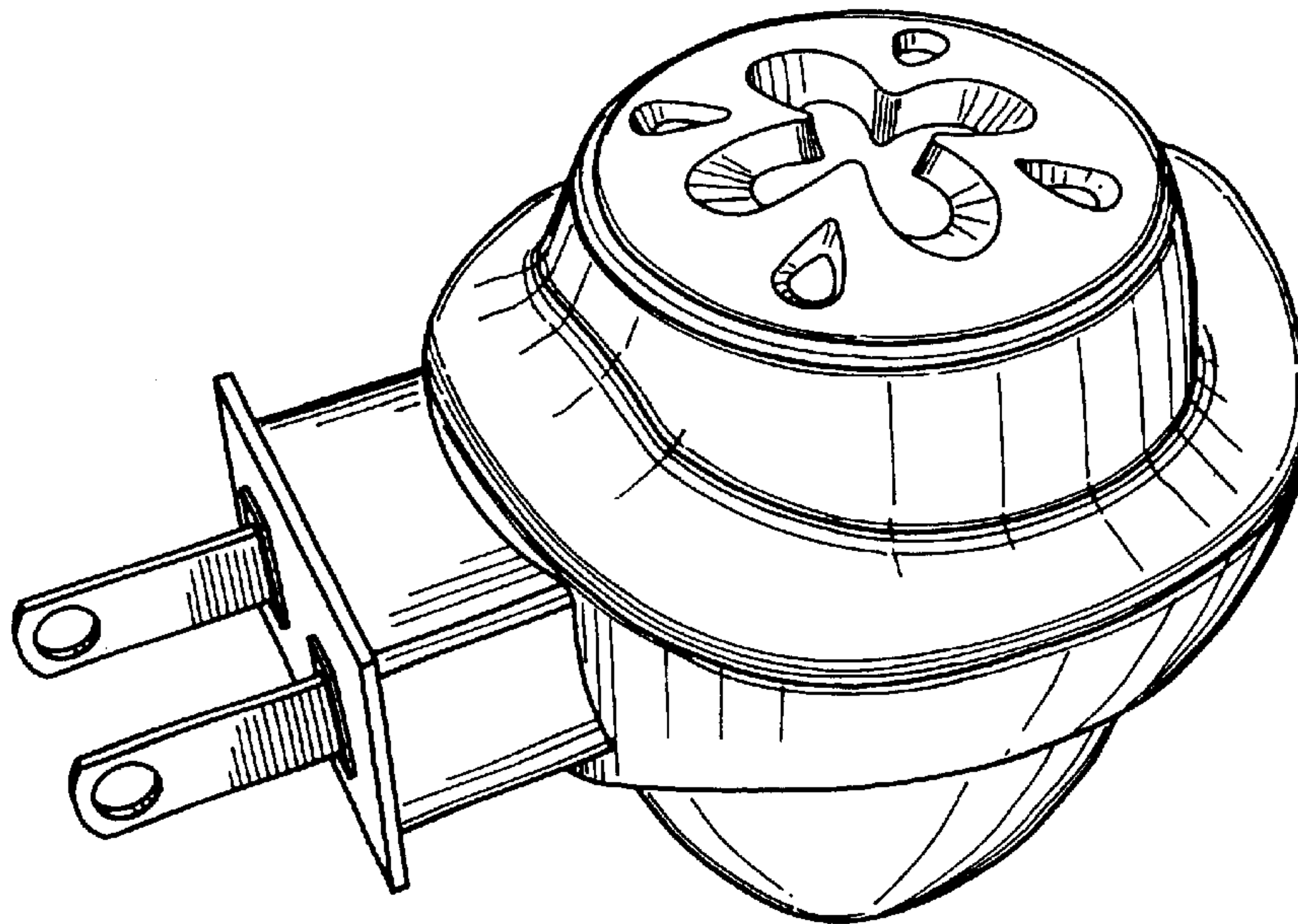
FIG. 9 is a front view of FIG. 8, the opposite side being a mirror image of that shown;

FIG. 10 is a side elevation view of FIG. 8, the opposite side being a mirror image of that shown;

FIG. 11 is a top view of FIG. 8; and,

FIG. 12 is a bottom view thereof.

**1 Claim, 5 Drawing Sheets**



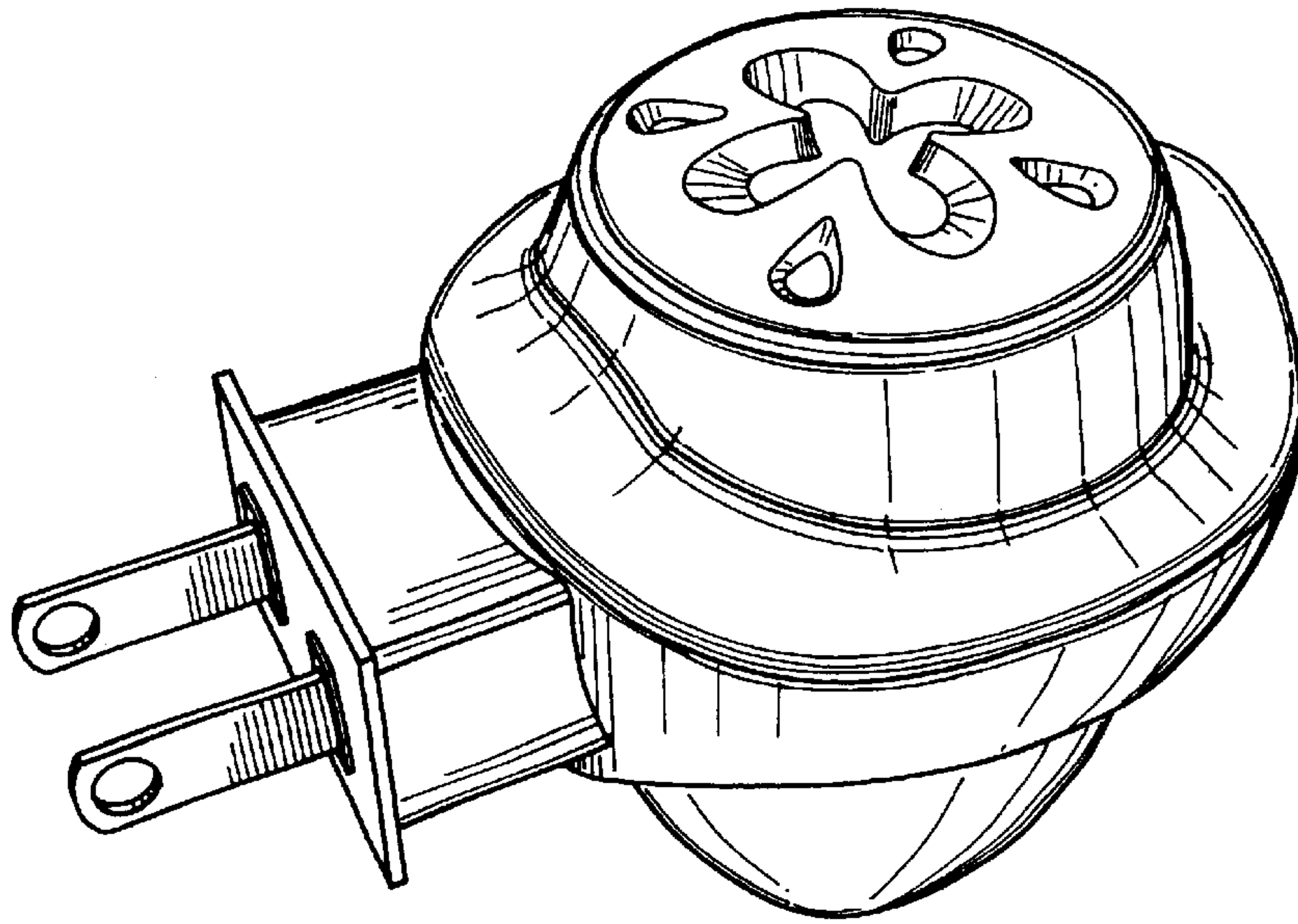


FIG.1

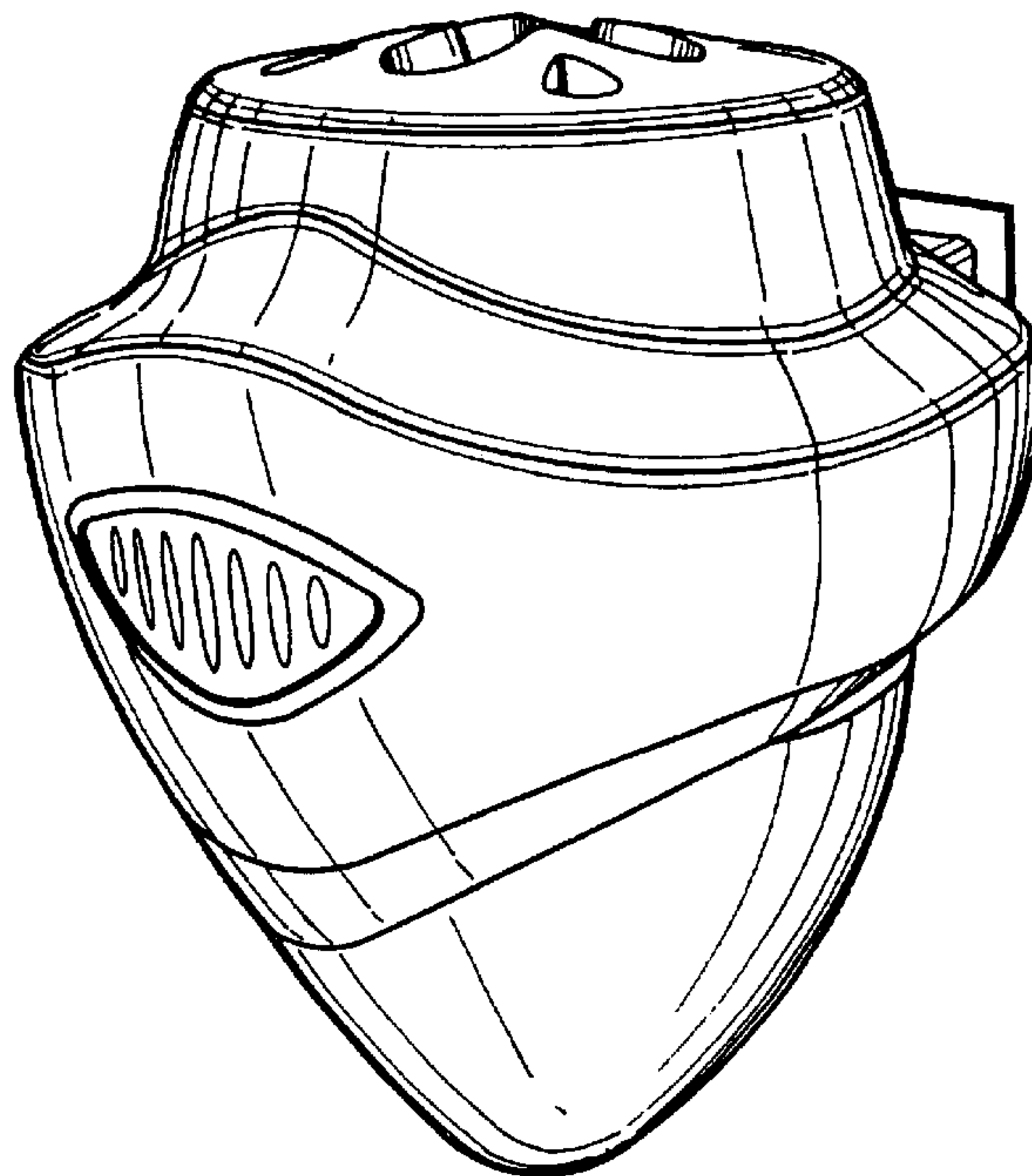


FIG.2

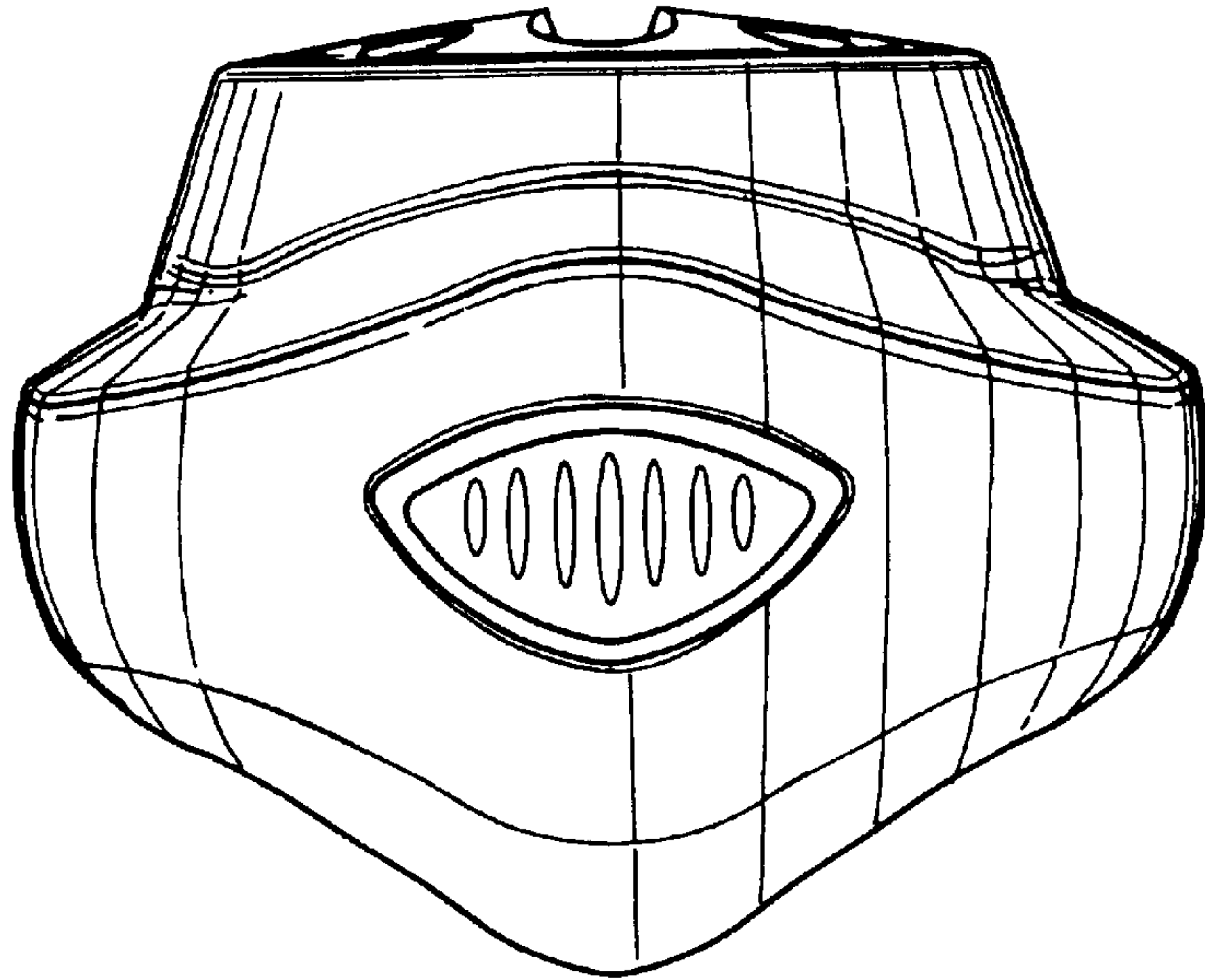


FIG.3

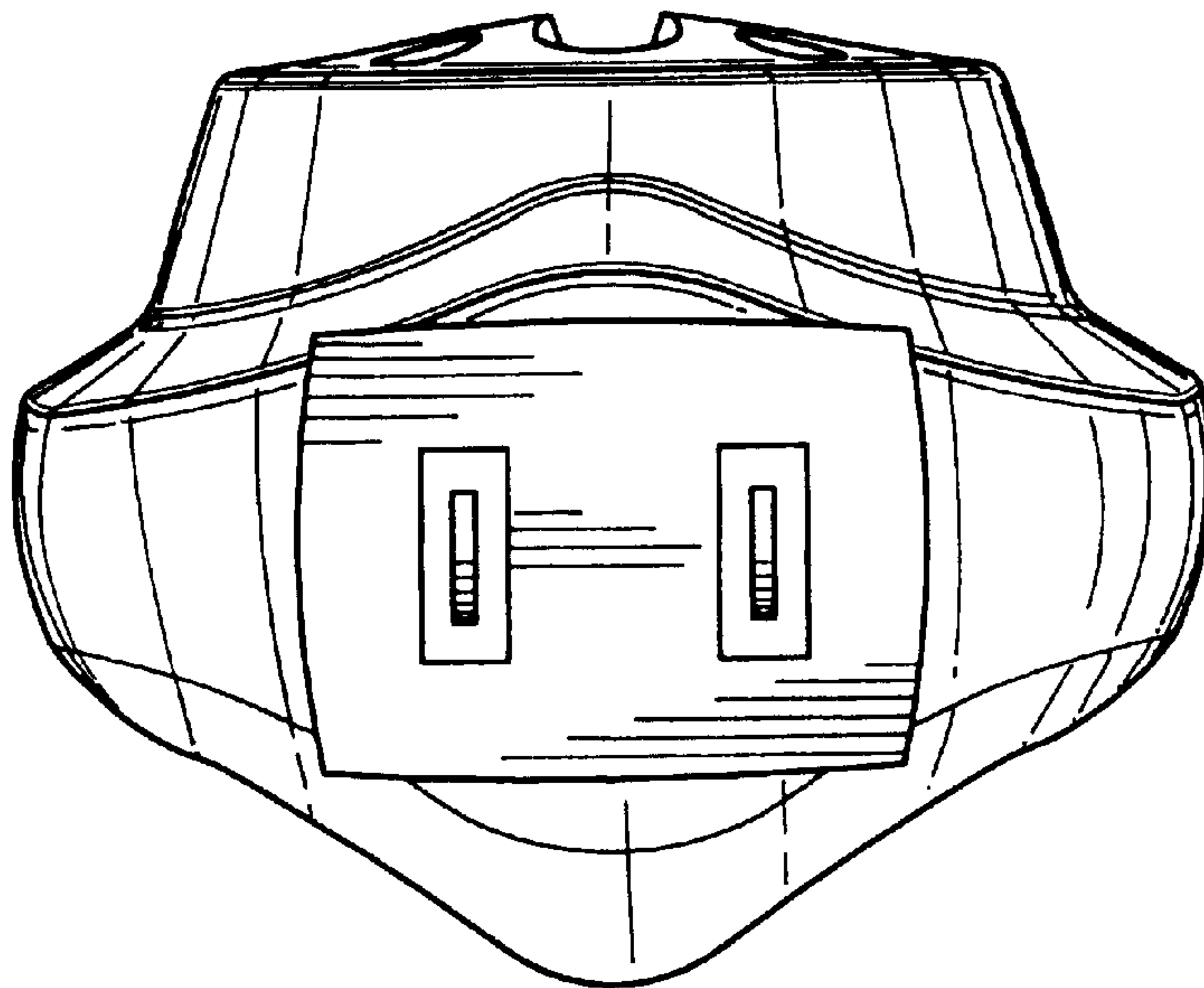


FIG.4



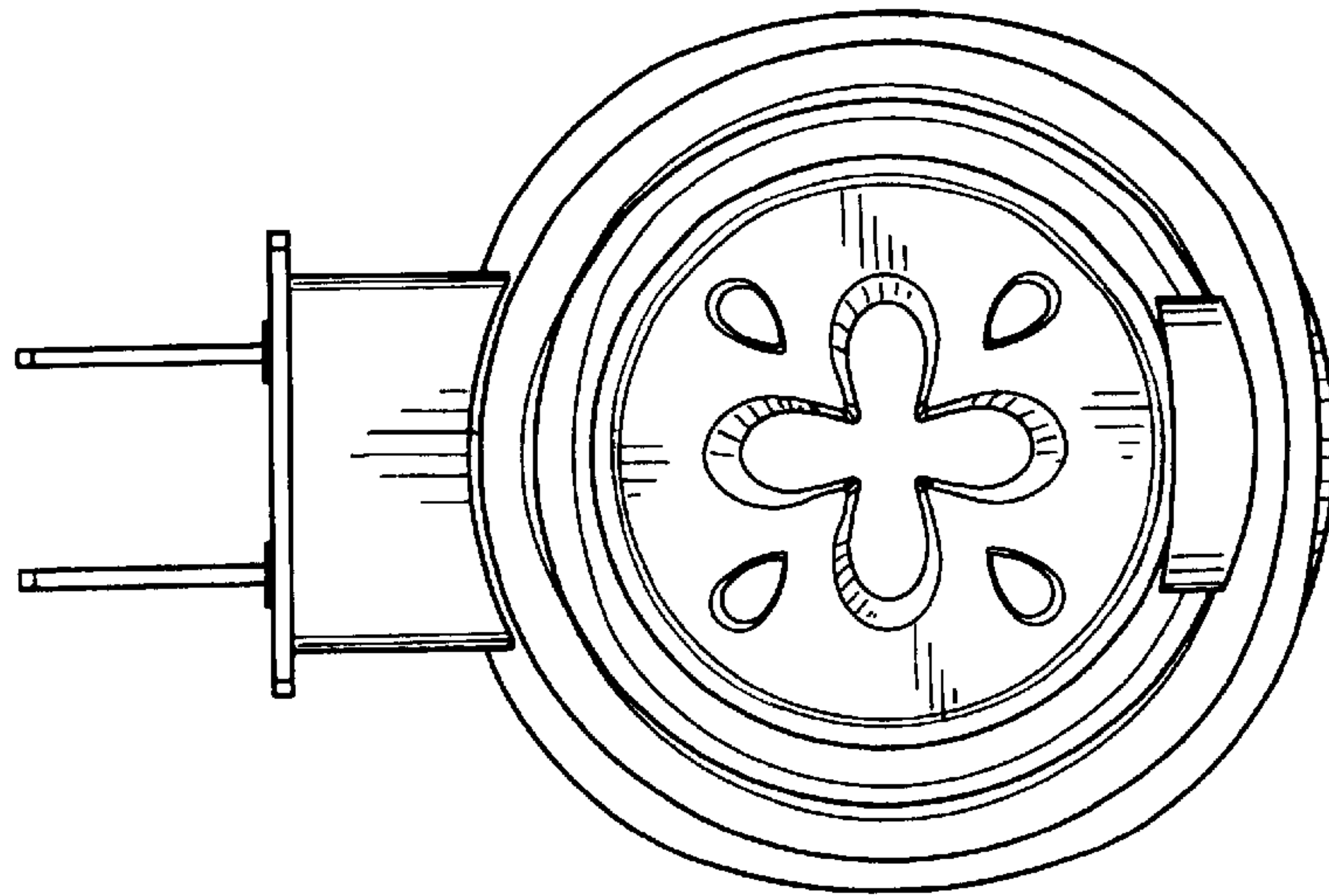


FIG. 5

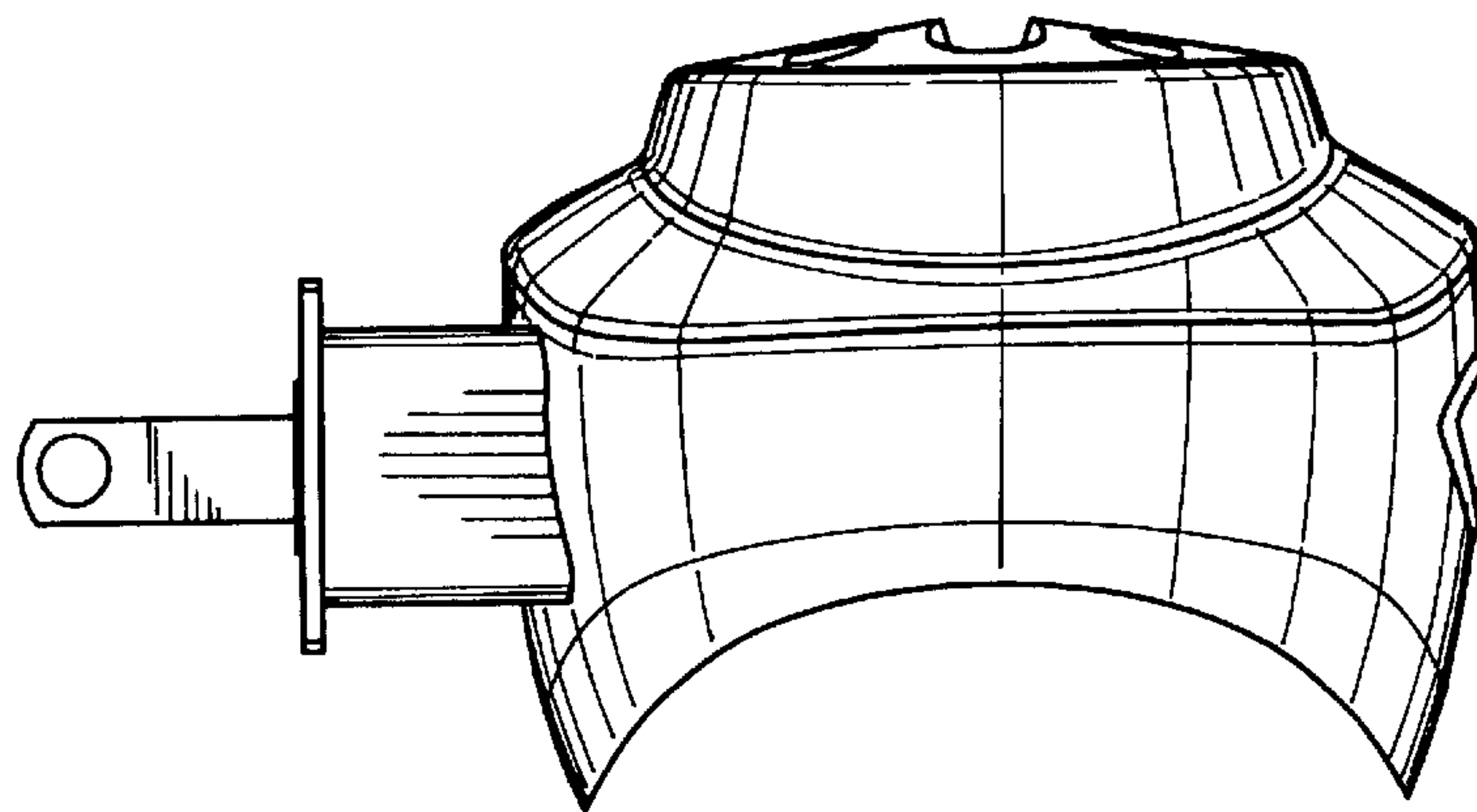


FIG. 6

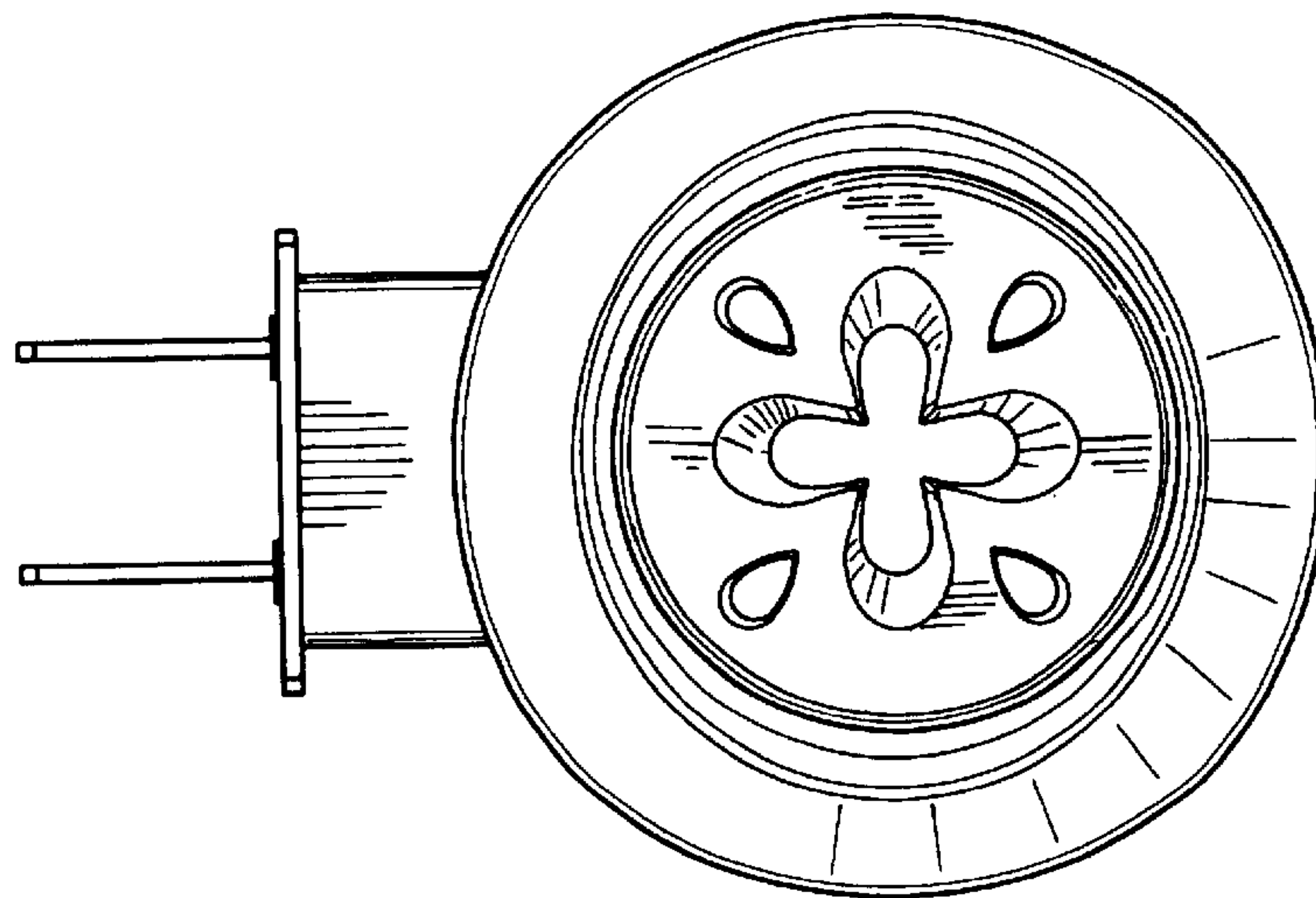


FIG. 7

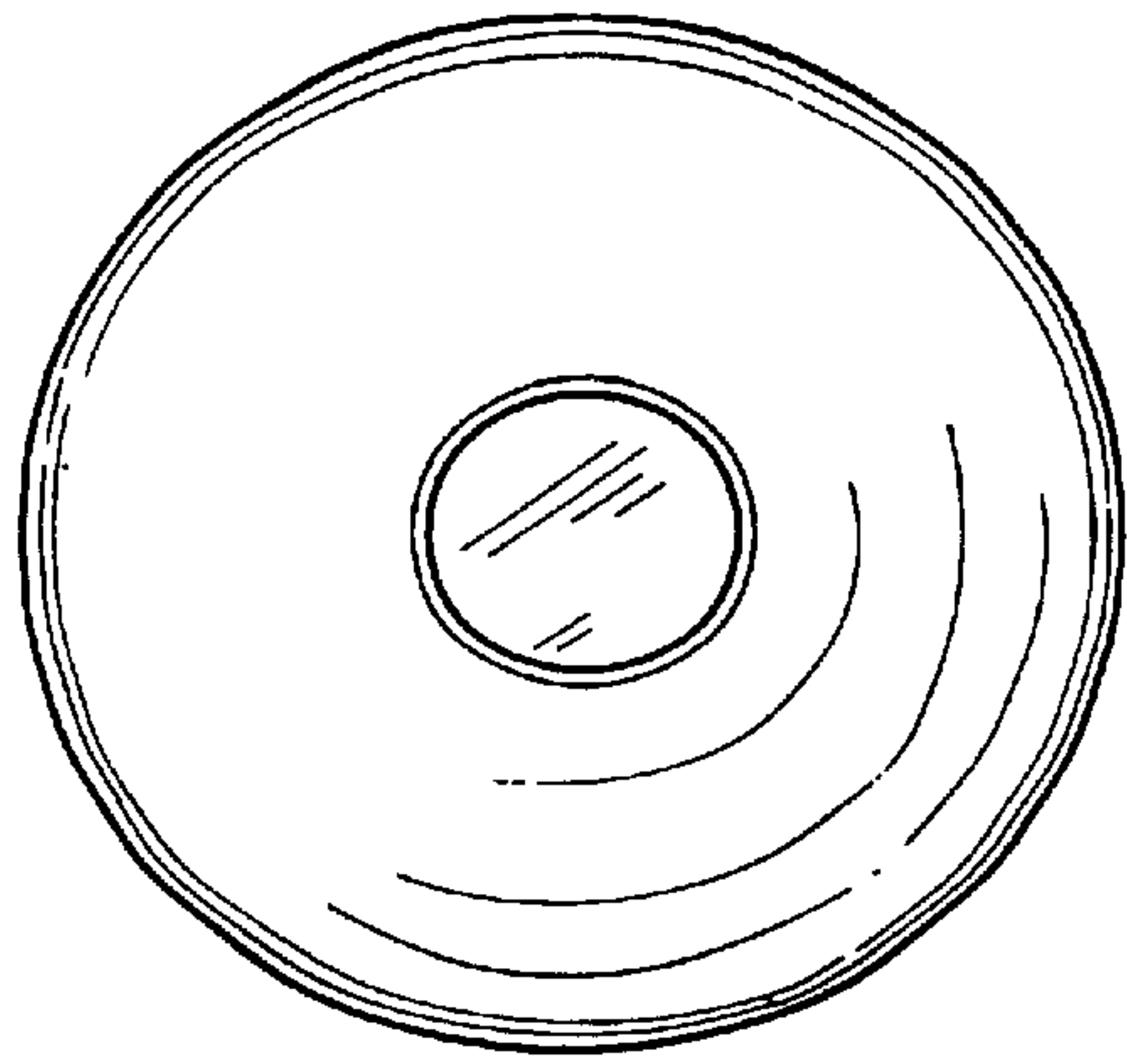


FIG. 8

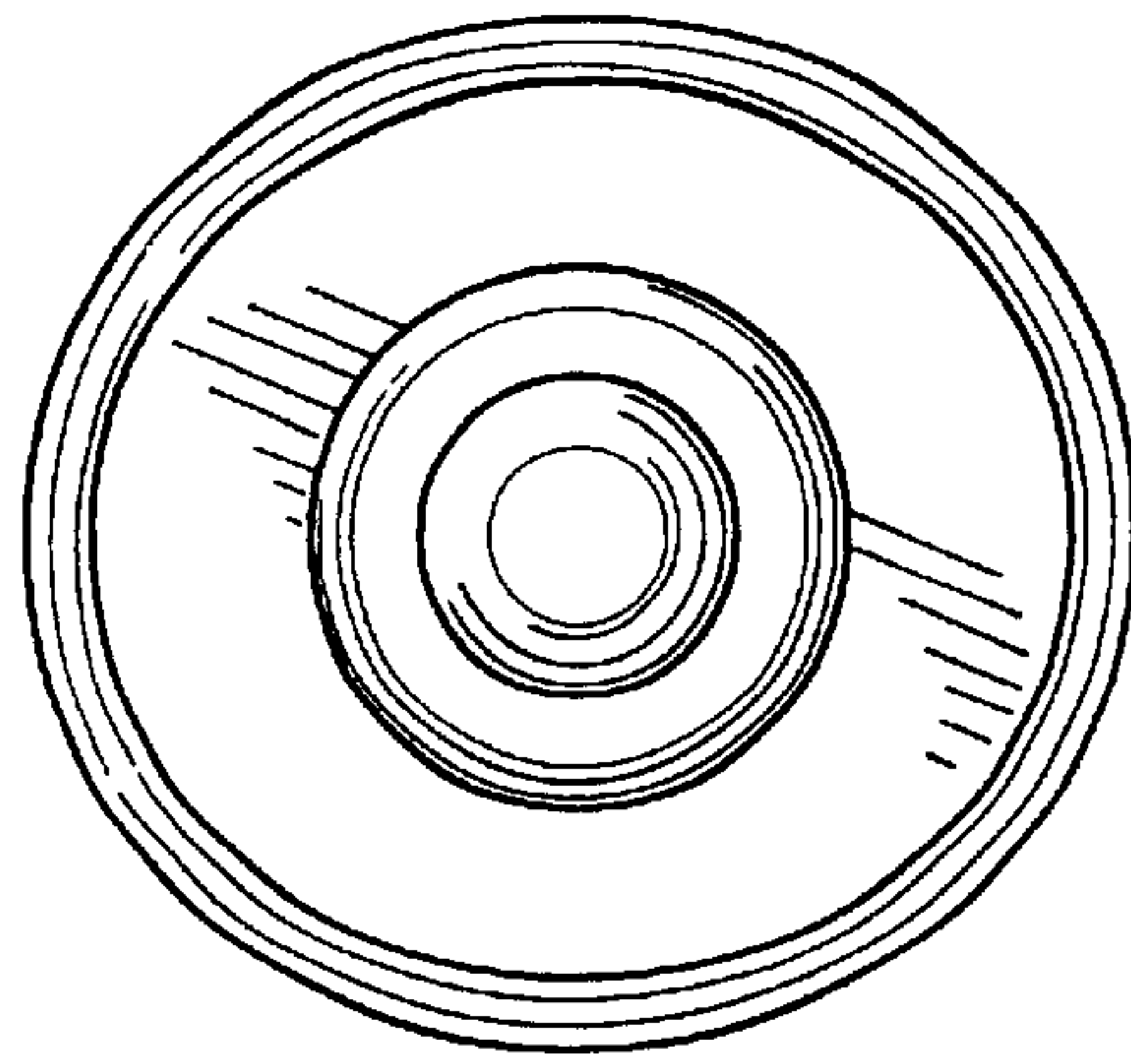


FIG. 11

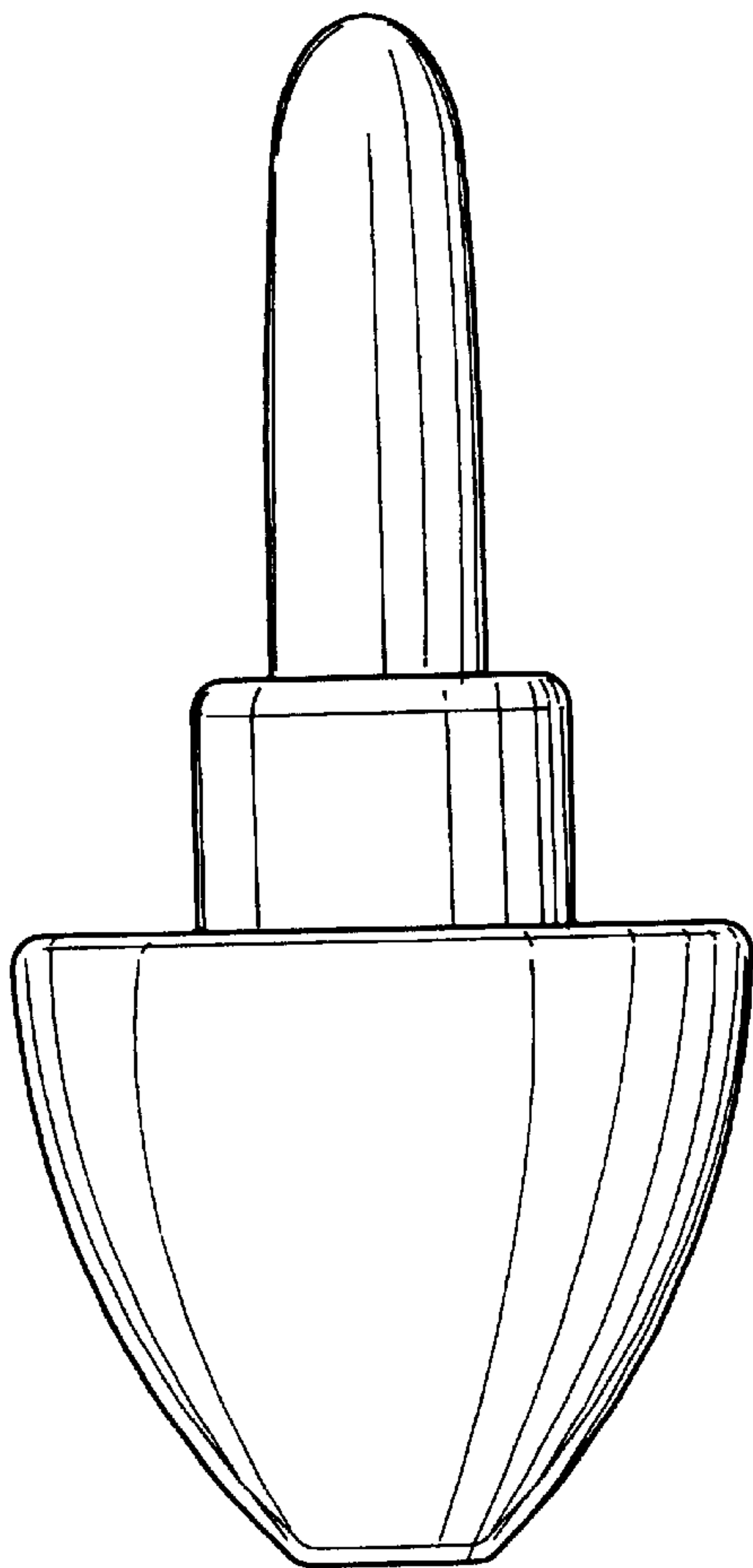


FIG. 9

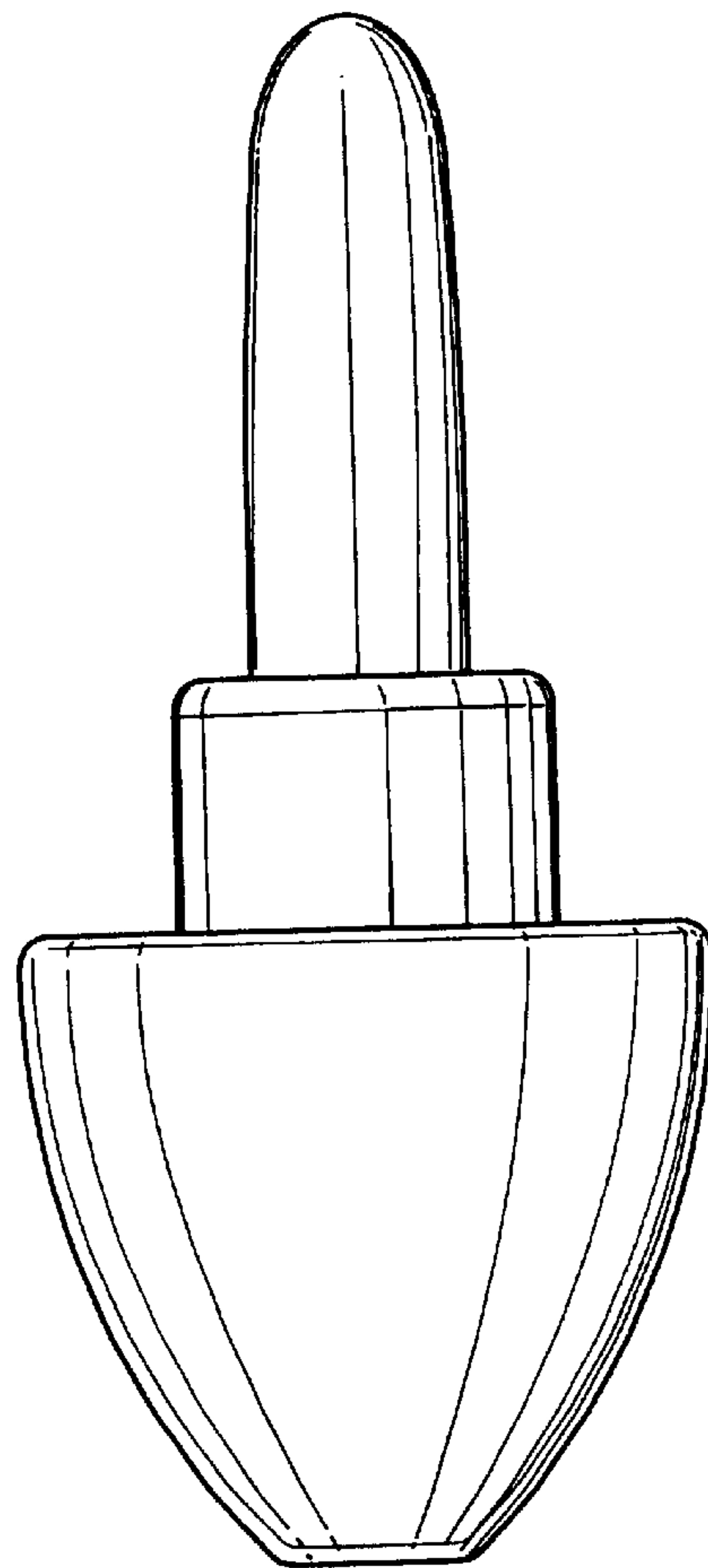


FIG. 10

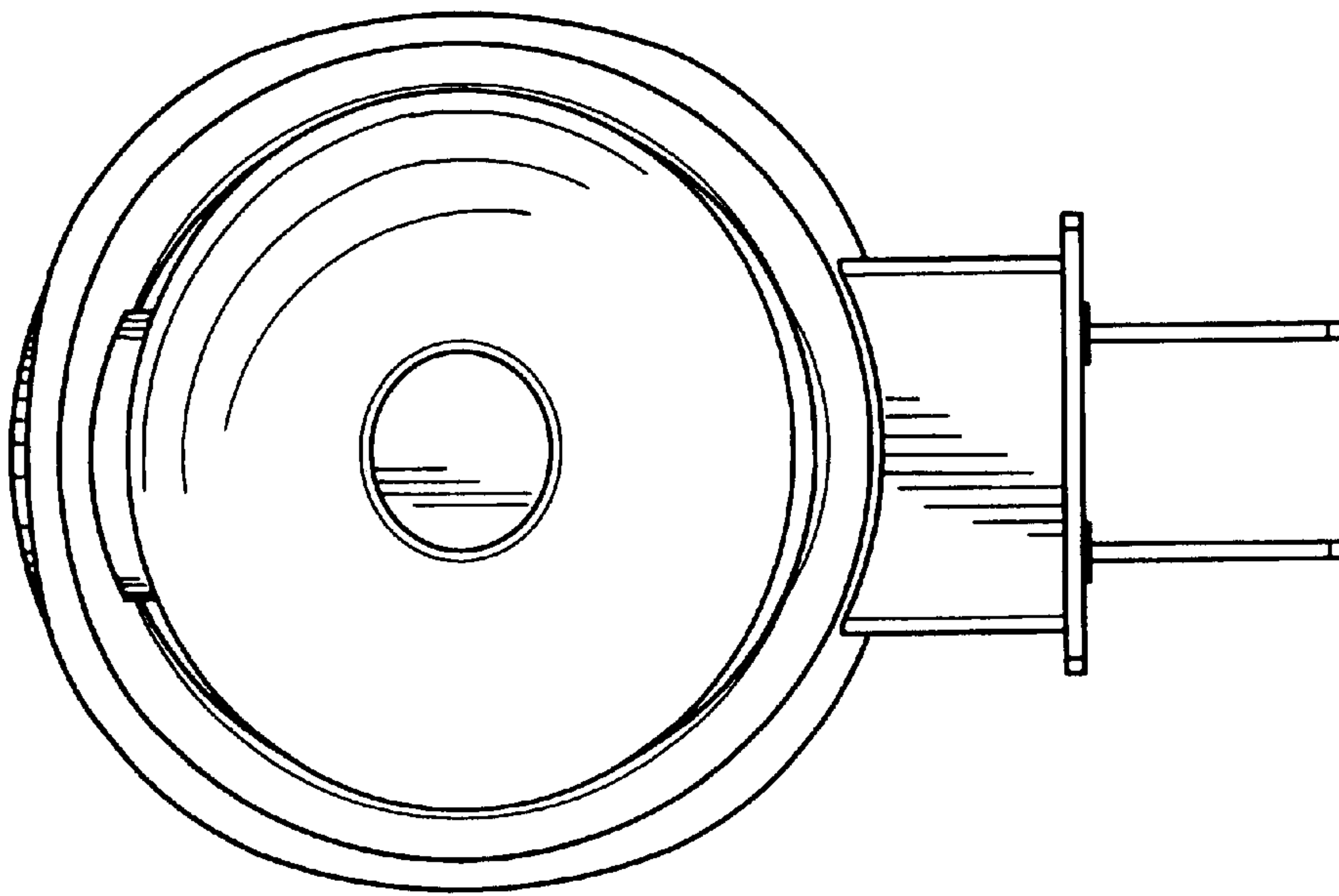


FIG.12