



US00D489122S

(12) **United States Design Patent** (10) **Patent No.:** **US D489,122 S**
Birdsell et al. (45) **Date of Patent:** **** Apr. 27, 2004**

(54) **ELECTRIC HEATER**

(75) Inventors: **Walter G. Birdsell**, Marlborough, MA (US); **Mark E. Mních**, Columbus, OH (US); **William Montague, Jr.**, Millis, MA (US); **Michael J. Painter**, Columbus, OH (US)

(73) Assignee: **Kaz, Inc.**, New York, NY (US)

(**) Term: **14 Years**

(21) Appl. No.: **29/153,744**

(22) Filed: **Jan. 10, 2002**

(51) **LOC (7) Cl.** **23-03**

(52) **U.S. Cl.** **D23/335; D23/332**

(58) **Field of Search** **D23/314, 317, D23/332, 335-338, 380, 340, 341; 392/360, 365-9, 373-6; 312/236; 126/110 B, 110 D, 90 A, 92 A**

- D265,851 S 8/1982 Babbage
- D266,186 S 9/1982 Chesnut et al.
- D266,943 S 11/1982 Porter
- D267,424 S 12/1982 Boldt et al.
- D267,970 S 2/1983 Gronwick
- D267,971 S 2/1983 Harrison
- D268,953 S 5/1983 Kerchner, Jr.
- D269,203 S 5/1983 Wilkinson
- D270,858 S 10/1983 McInnes
- D270,938 S 10/1983 Johnson
- D271,130 S 10/1983 Frank et al.
- D273,891 S 5/1984 Hiselius
- D274,836 S 7/1984 Smith
- D275,419 S 9/1984 Church
- D276,364 S 11/1984 Sibert
- D276,840 S 12/1984 Church
- D276,841 S 12/1984 Church
- D277,130 S 1/1985 Schade
- D277,228 S 1/1985 Blesch
- D277,308 S 1/1985 Bastien
- D277,780 S 2/1985 Horst, Sr. et al.

(List continued on next page.)

(56) **References Cited**

U.S. PATENT DOCUMENTS

- 3,124,120 A 3/1964 Best
- 3,725,640 A 4/1973 Kunz
- D242,922 S 1/1977 Monninger
- 4,003,967 A 1/1977 Potvin
- D244,450 S 5/1977 Taylor
- D245,510 S 8/1977 Herman et al.
- D247,045 S 1/1978 Briggs
- D248,043 S 5/1978 Schade
- 4,112,913 A 9/1978 Shimek et al.
- D251,500 S 4/1979 Aigner
- D252,405 S 7/1979 Heine
- D254,391 S 3/1980 Montecalvo
- D256,273 S 8/1980 Townsend et al.
- D256,949 S 9/1980 Patel
- D257,059 S 9/1980 Schade
- 4,227,068 A 10/1980 Carter
- D257,485 S 11/1980 Montecalvo
- D259,892 S 7/1981 Boekamp
- D261,923 S 11/1981 Nunez et al.
- D263,494 S 3/1982 Markum et al.

Primary Examiner—B. J. Bullock

(74) *Attorney, Agent, or Firm*—Darby & Darby

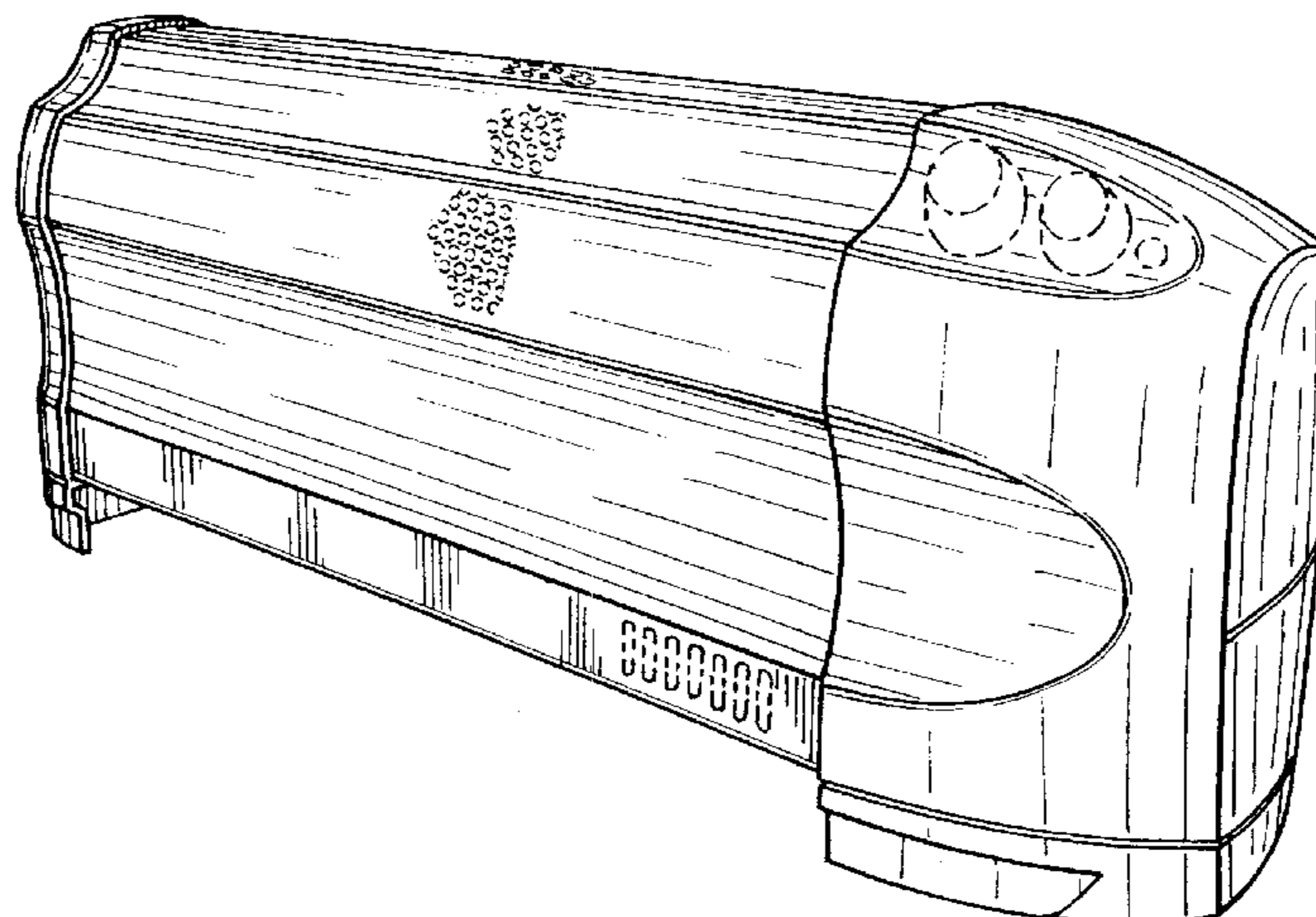
(57) **CLAIM**

The ornamental design for an electric heater, as shown and described.

DESCRIPTION

FIG. 1 is a front view of a heater in accordance with the invention;
 FIG. 2 is a top view of the heater of FIG. 1;
 FIG. 3 is a left side view of the heater of FIG. 1;
 FIG. 4 is a right side view of the heater of FIG. 1; and,
 FIG. 5 is a perspective view of the heater of FIG. 1.
 Features shown in broken line, including the grill patterns at the top and front of the heater, the control knobs and indicator light at the top right of the heater, and the power cord at the rear of the heater, form no part of the claimed design.

1 Claim, 2 Drawing Sheets



US D489,122 S

Page 3

D423,090 S	4/2000	Barbosa	D431,640 S	10/2000	Rong	
D424,671 S	5/2000	Ciccone et al.	D437,036 S	1/2001	Chen	
D426,876 S	6/2000	Rossmann et al.	D437,397 S	* 2/2001	Ching D23/335
D429,323 S	8/2000	Rossmann et al.	D441,065 S	4/2001	Ediger et al.	
D429,803 S	8/2000	Schmidt	D445,173 S	7/2001	Birdsell et al.	
D429,804 S	8/2000	Rossmann et al.	D464,413 S	* 10/2002	Shapiro et al. D23/335
D430,278 S	8/2000	Krauss et al.				
D431,289 S	9/2000	Paquette				

* cited by examiner

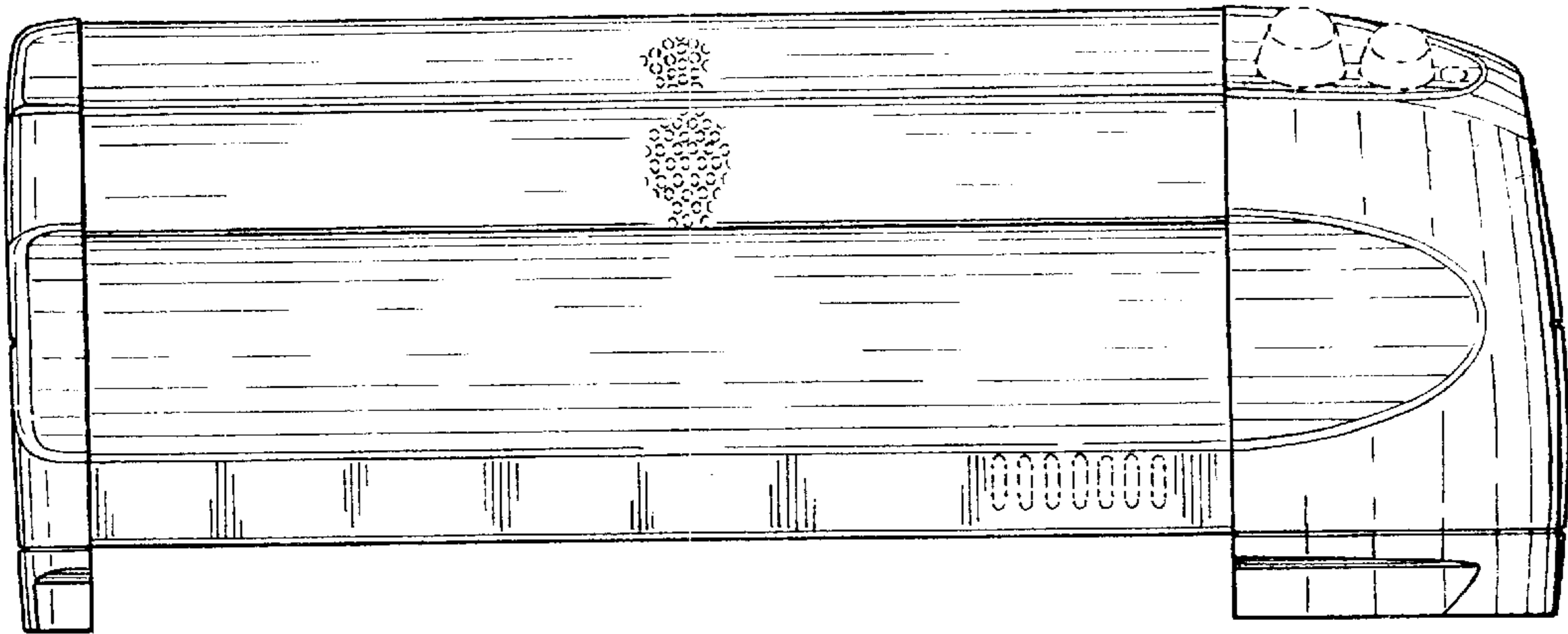


Fig. 1

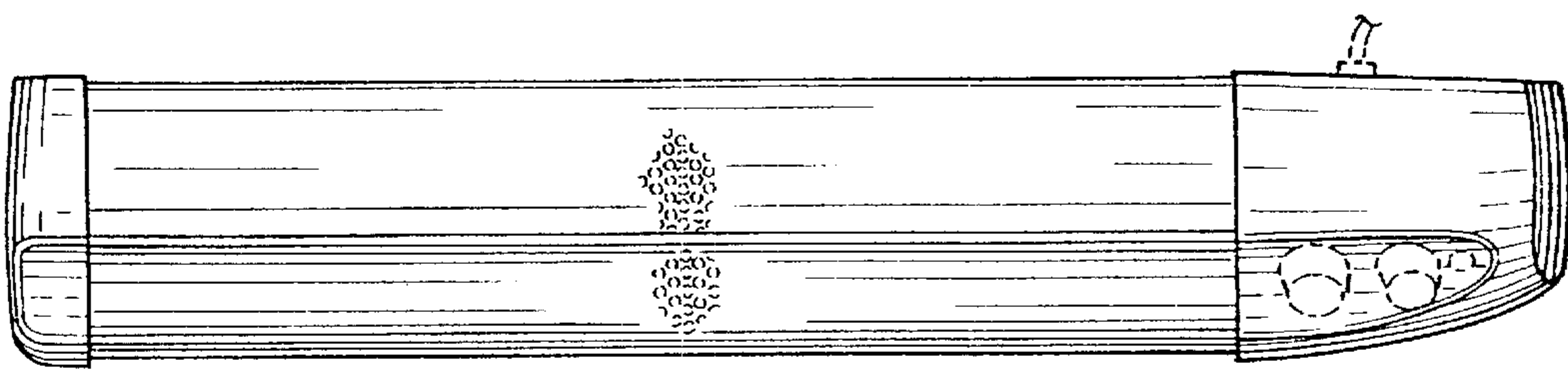


Fig. 2

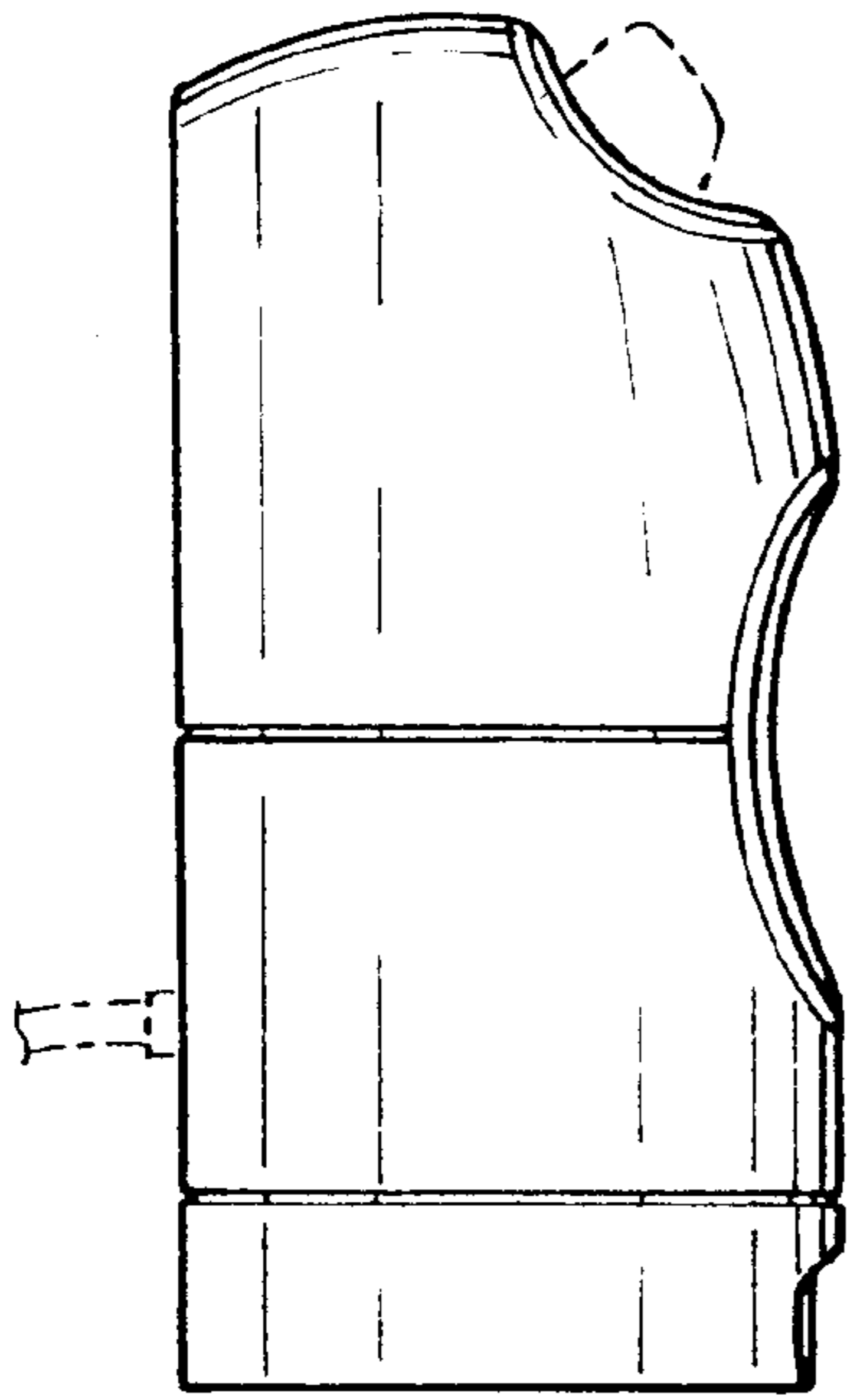


Fig. 3

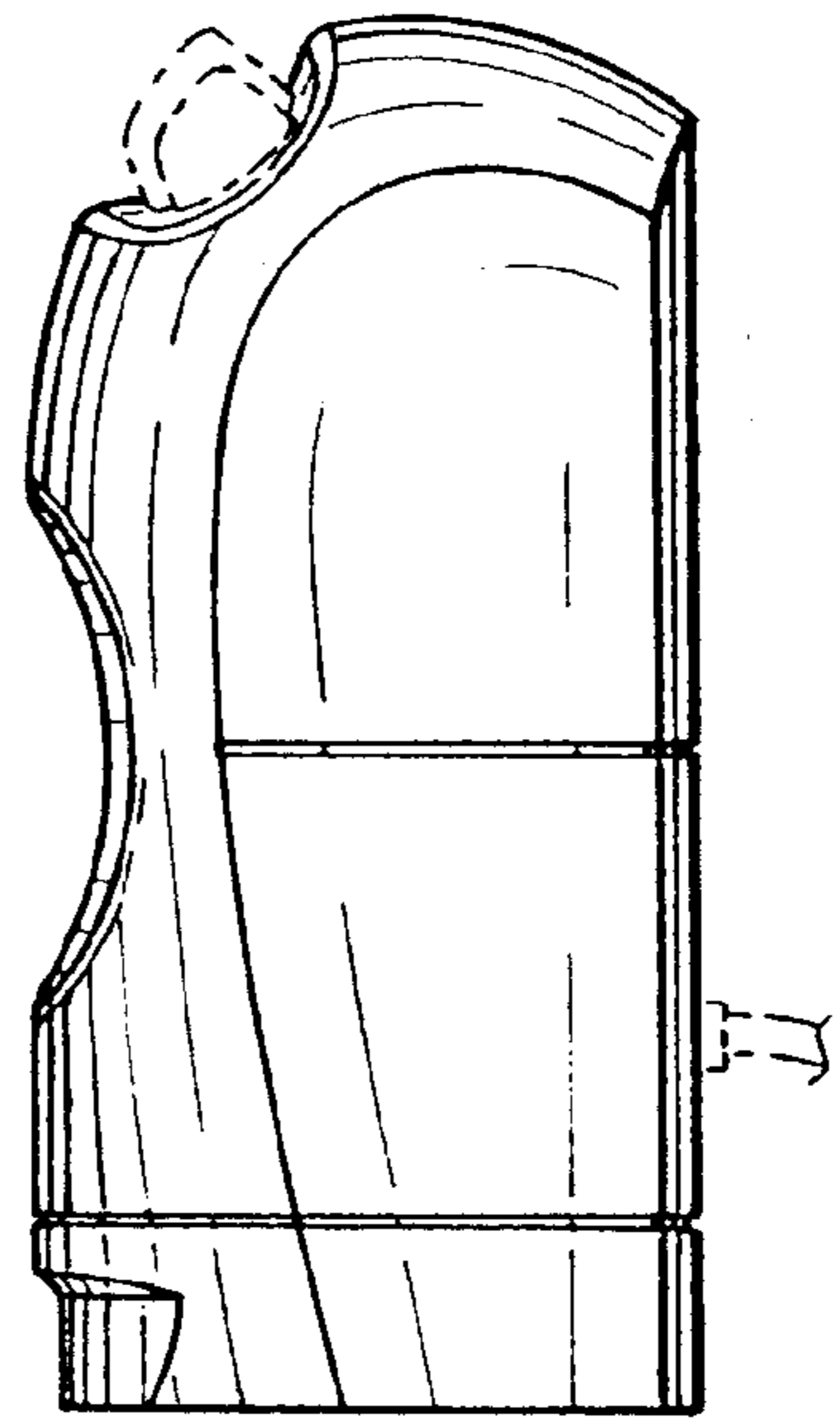


Fig. 4

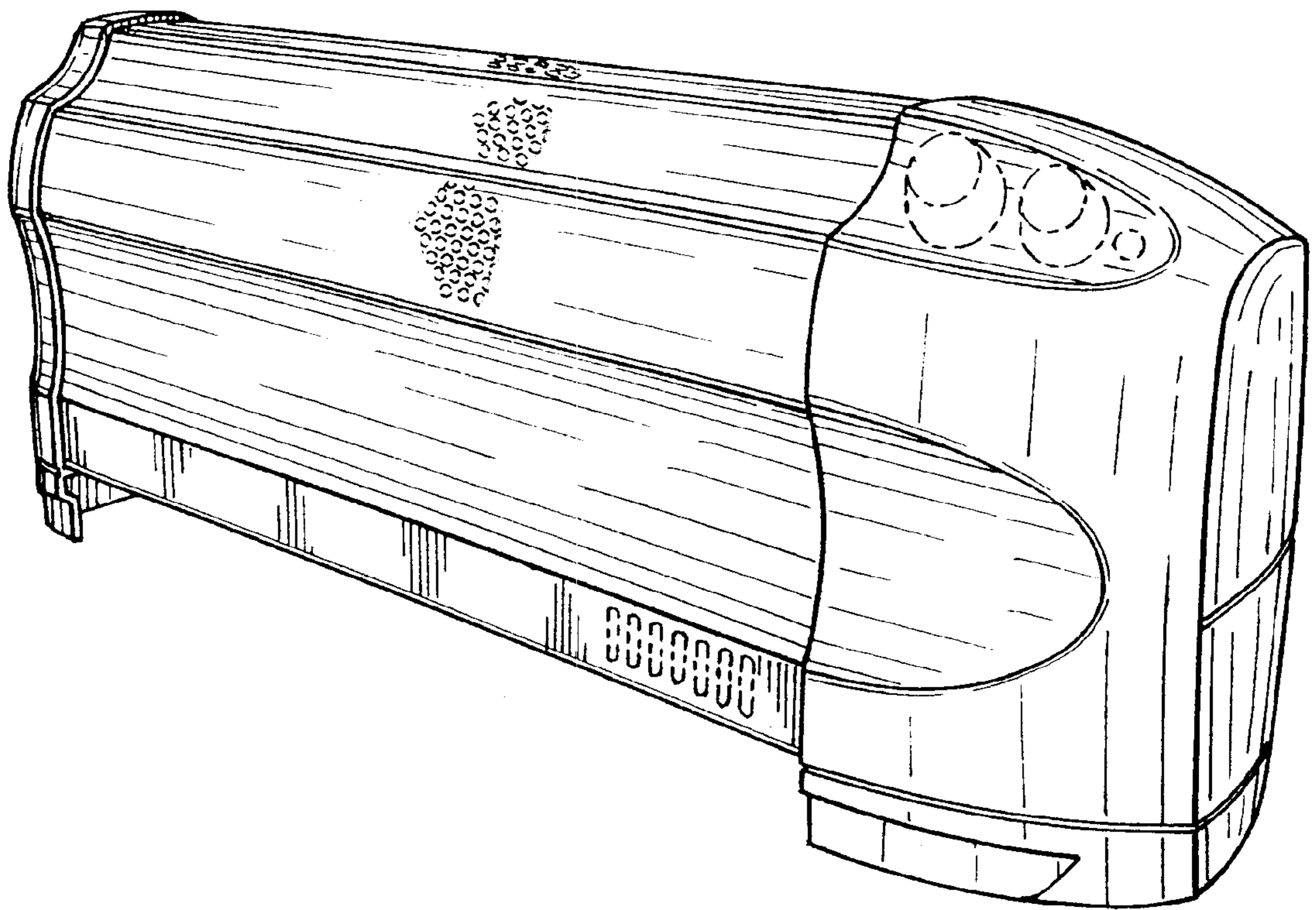


Fig. 5