



US00D489118S

(12) **United States Design Patent**
Preiss

(10) **Patent No.:** **US D489,118 S**

(45) **Date of Patent:** **** Apr. 27, 2004**

(54) **FISHING POLE HOLDER**

(76) Inventor: **Richard A. Preiss**, 1107 Beard Rd.,
Waterford, CA (US) 95386

(**) Term: **14 Years**

(21) Appl. No.: **29/173,670**

(22) Filed: **Jan. 2, 2003**

(51) **LOC (7) Cl.** **22-05**

(52) **U.S. Cl.** **D22/147**

(58) **Field of Search** D22/147, 148,
D22/108, 109, 199; 43/21.2, 54.1; 248/530,
517, 519, 533, 538, 545, 156, 518; D8/1;
224/922

(56) **References Cited**

U.S. PATENT DOCUMENTS

1,537,237 A	5/1925	Kaestner	D22/147
2,139,826 A	12/1938	Huntly	248/156
2,293,305 A	8/1942	Oldham	43/21.2
3,156,997 A *	11/1964	Smith	43/17
3,341,157 A	9/1967	Duncan	248/538
3,669,390 A	6/1972	Nielson	248/42
4,124,190 A	11/1978	Wheeler	248/538
D315,012 S	2/1991	Koga	D22/147
6,185,855 B1	2/2001	Sizer et al.	43/21.2
D448,446 S *	9/2001	Walls et al.	D22/147
D455,472 S *	4/2002	Rossman	D22/147
D471,952 S *	3/2003	Cardenas	D22/147

* cited by examiner

Primary Examiner—Catherine R. Oliver

(74) *Attorney, Agent, or Firm*—Heisler & Associates

(57) **CLAIM**

The ornamental design for a fishing pole holder, as shown and described.

DESCRIPTION

FIG. 1 is a perspective view of a first embodiment of the fishing pole holder;

FIG. 2 is a left side view of the first embodiment of the invention;

FIG. 3 is a top plan view of the first embodiment of the invention;

FIG. 4 is a front elevation view of the first embodiment of the invention;

FIG. 5 is a rear elevation view of the first embodiment of the invention;

FIG. 6 is a bottom plan view of the first embodiment of the invention;

FIG. 7 is a right side view of the first embodiment of the invention;

FIG. 8 is a perspective view of a second embodiment of the fishing pole holder;

FIG. 9 is a left side view of the second embodiment of the invention;

FIG. 10 is a top plan view of the second embodiment of the invention;

FIG. 11 is a front elevation view of the second embodiment of the invention;

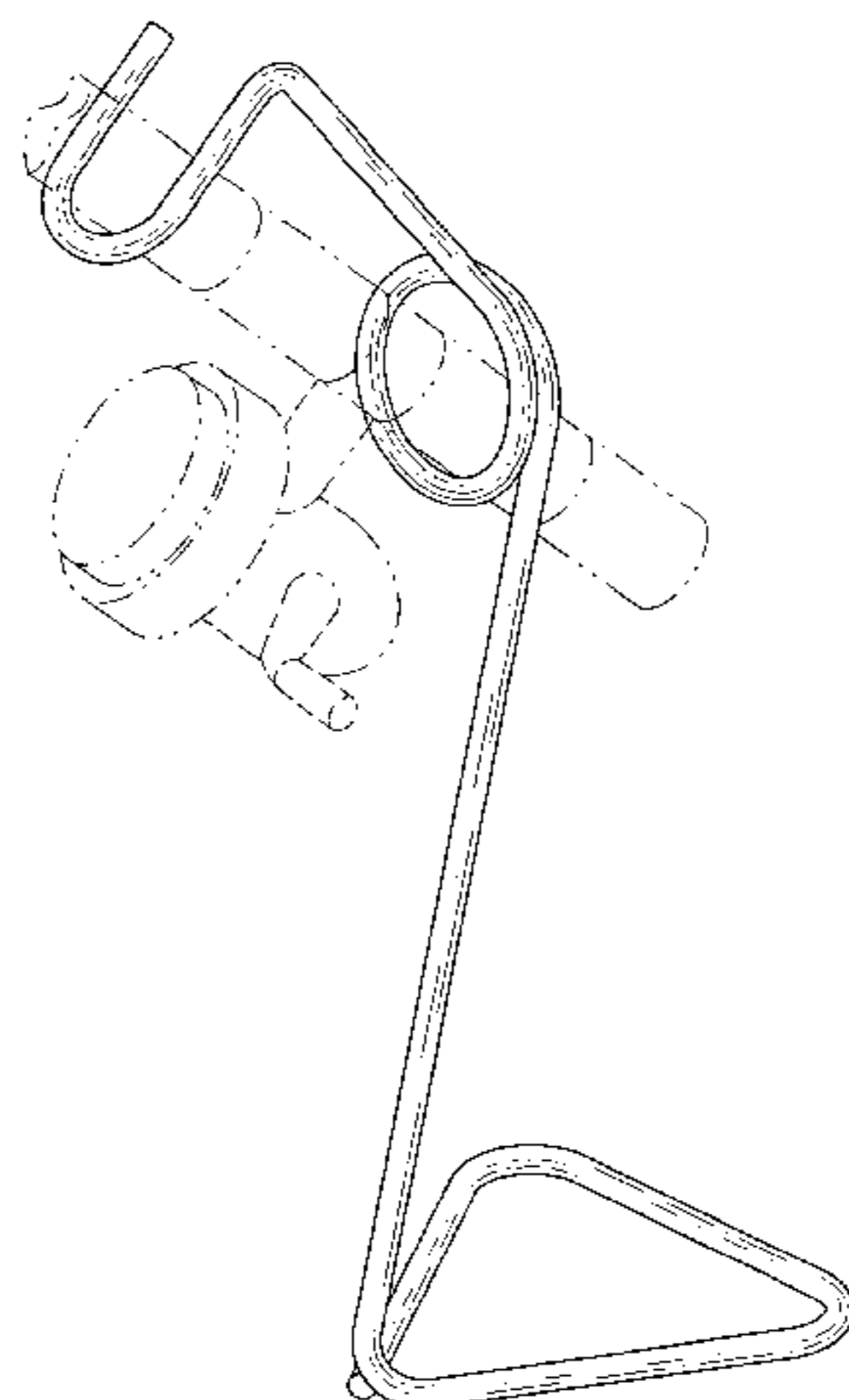
FIG. 12 is a rear elevation view of the second embodiment of the invention;

FIG. 13 is a bottom plan view of the second embodiment of the invention; and,

FIG. 14 is a right side view of the second embodiment of the invention.

The broken lines in FIGS. 1 and 8 are for purposes of illustration only and form no part of claimed design.

1 Claim, 5 Drawing Sheets



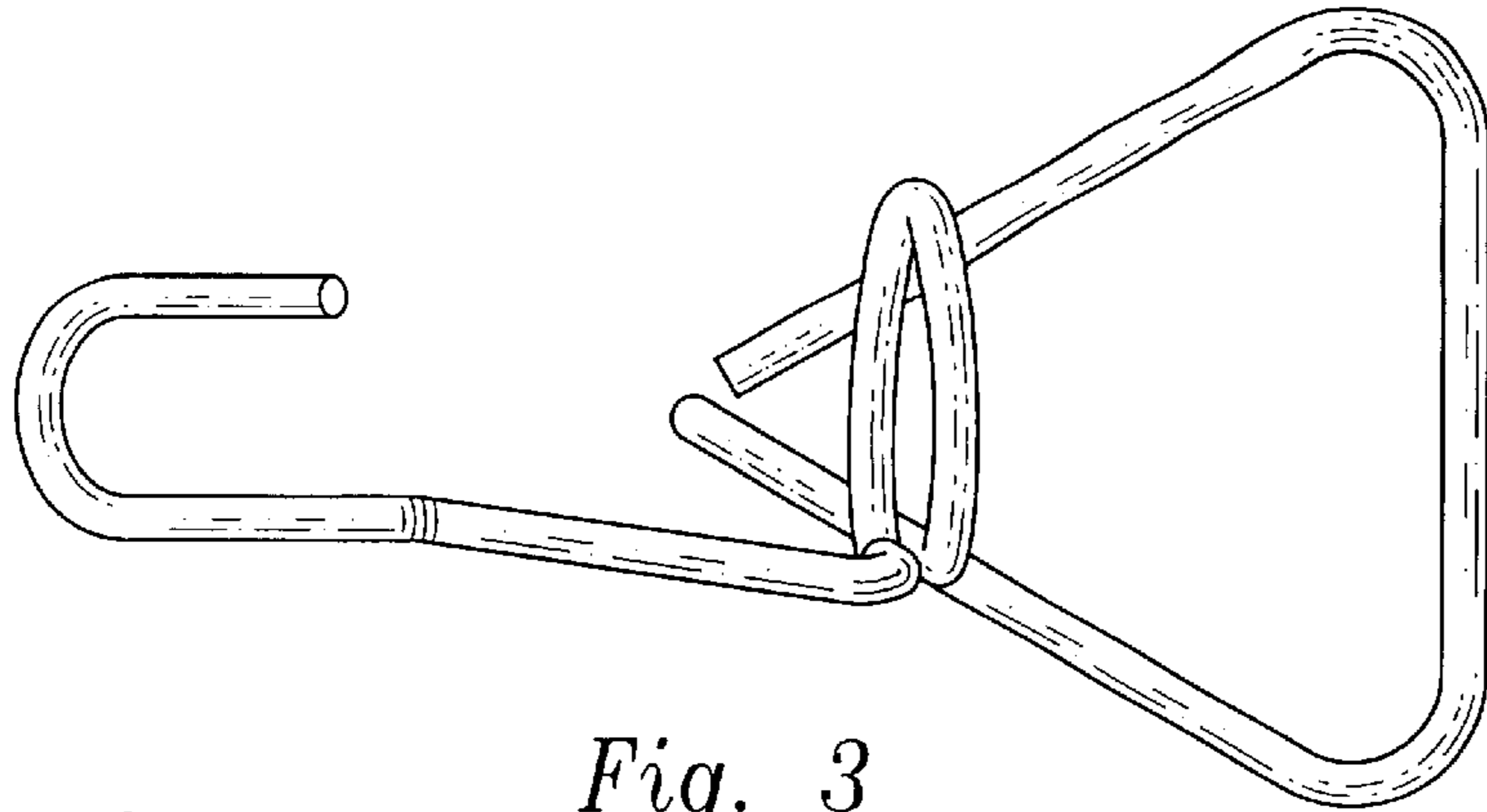


Fig. 3

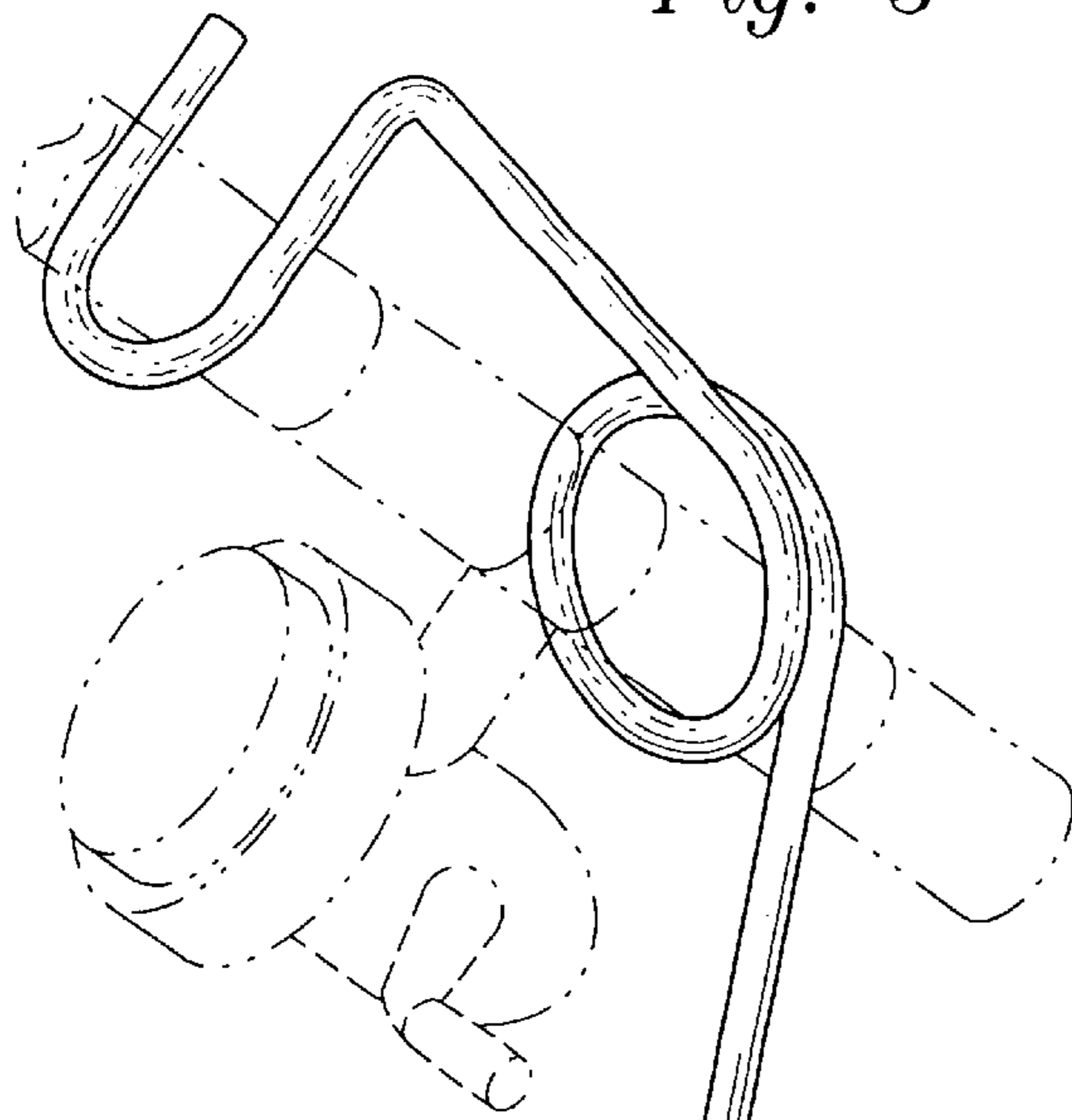


Fig. 1

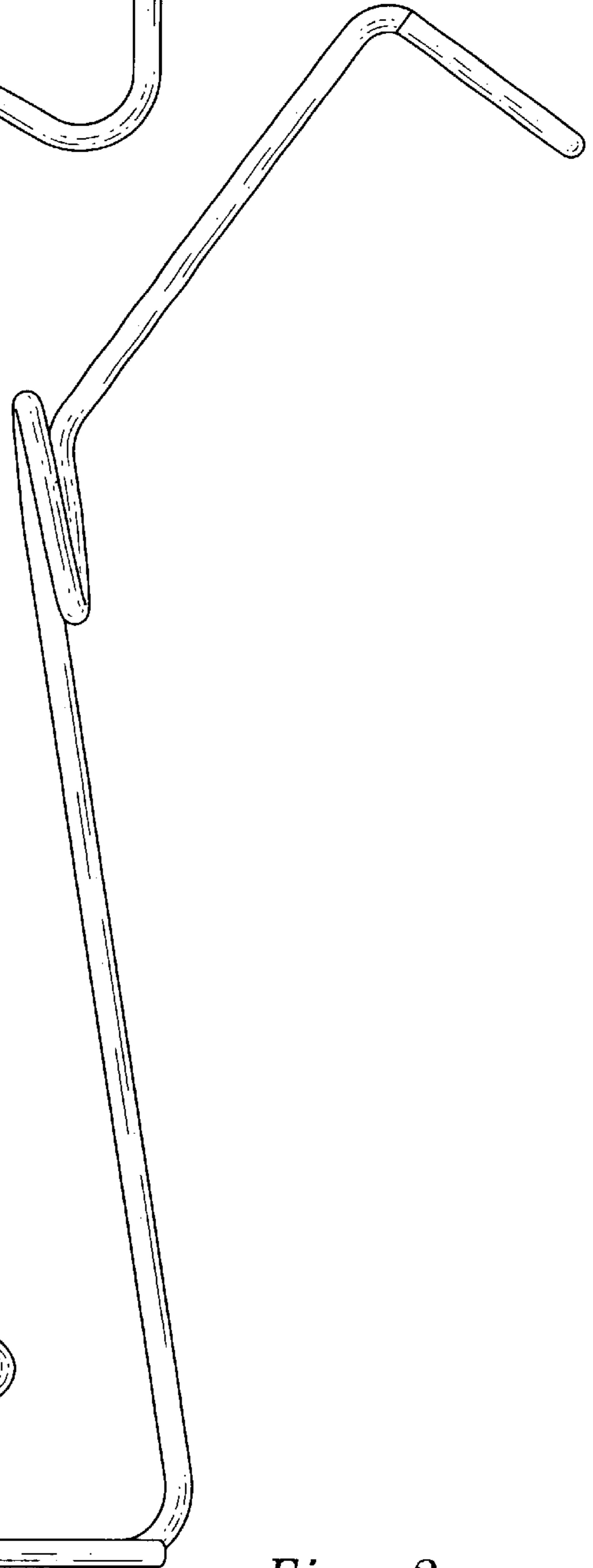


Fig. 2

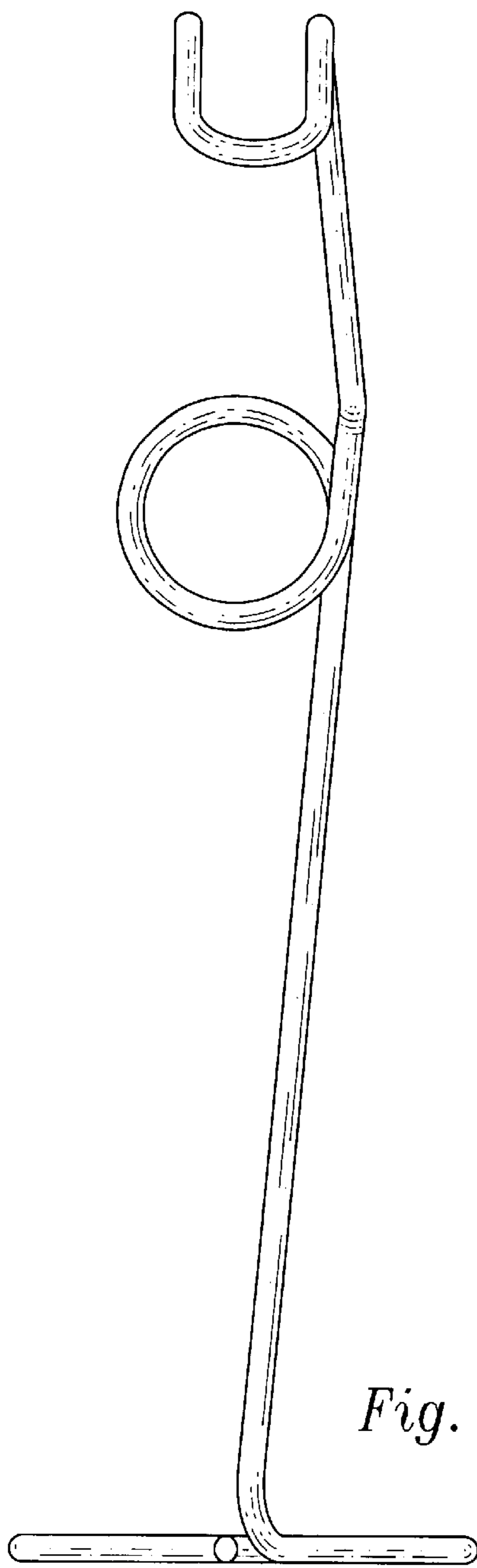


Fig. 4

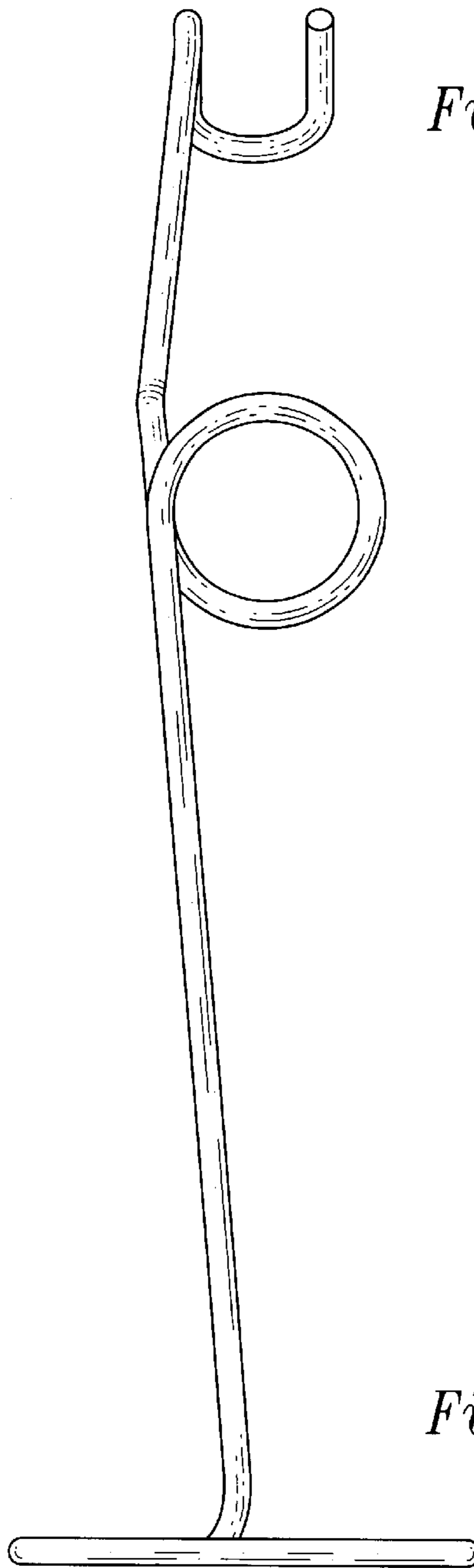


Fig. 5

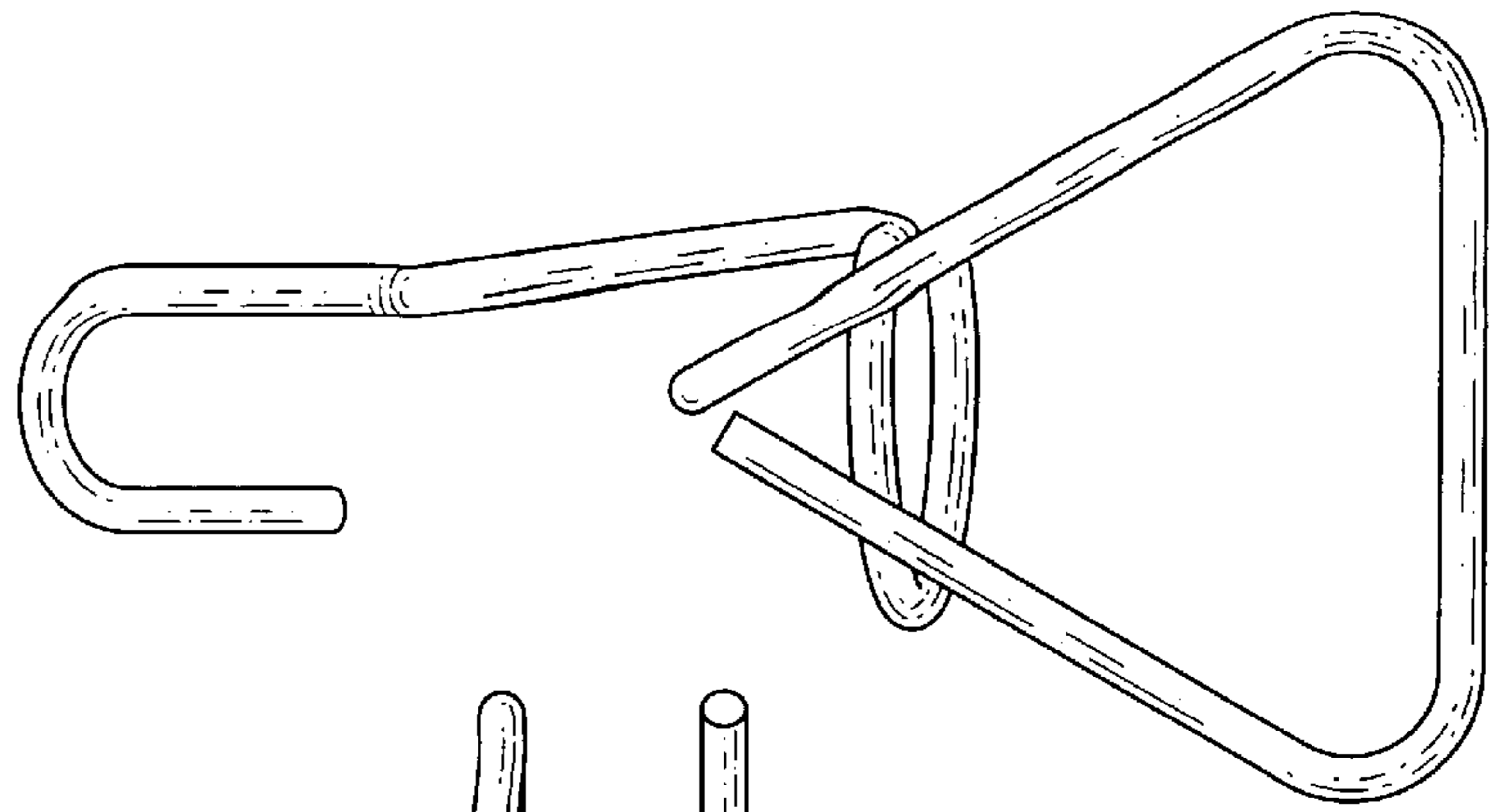


Fig. 6

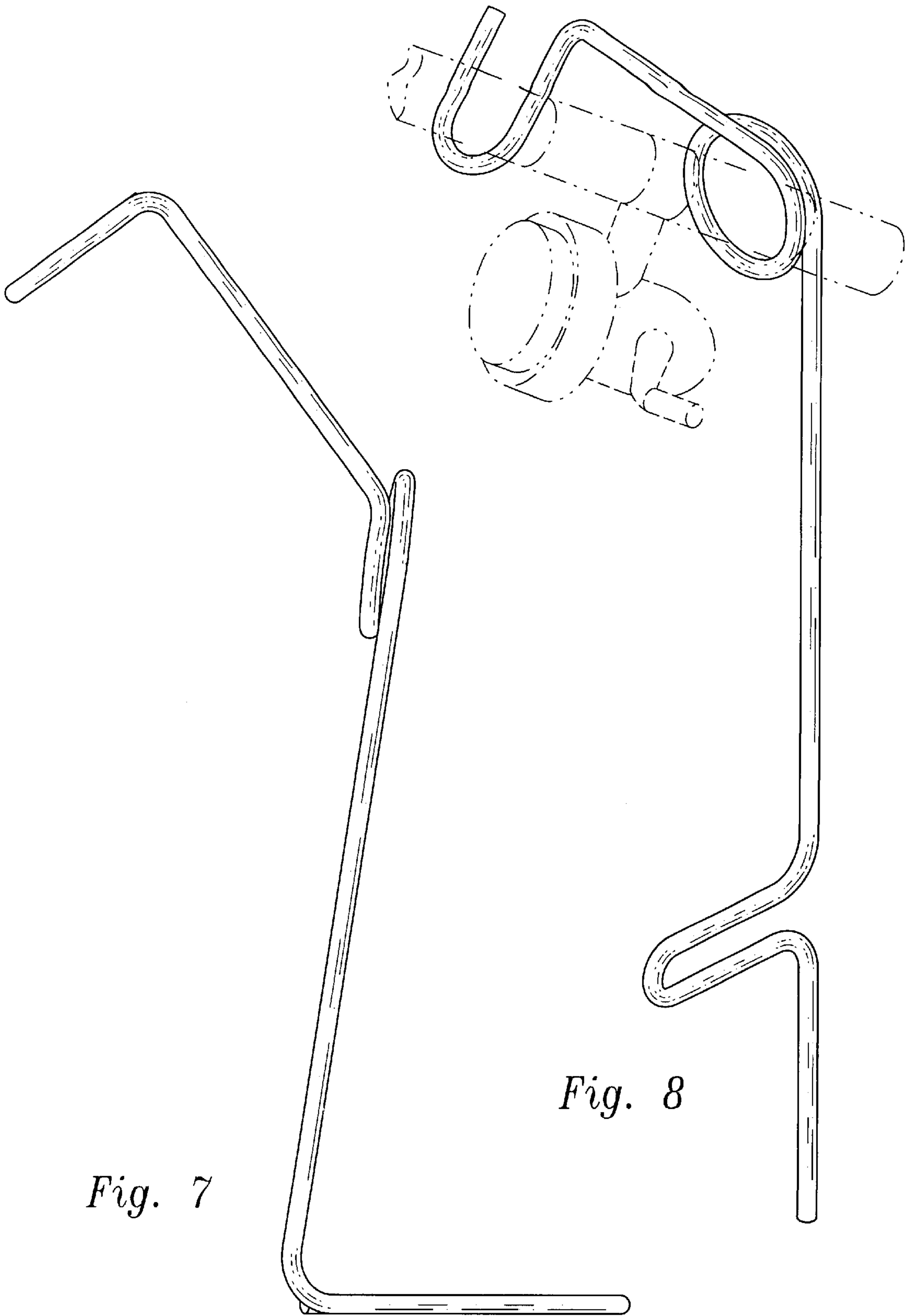


Fig. 7

Fig. 8

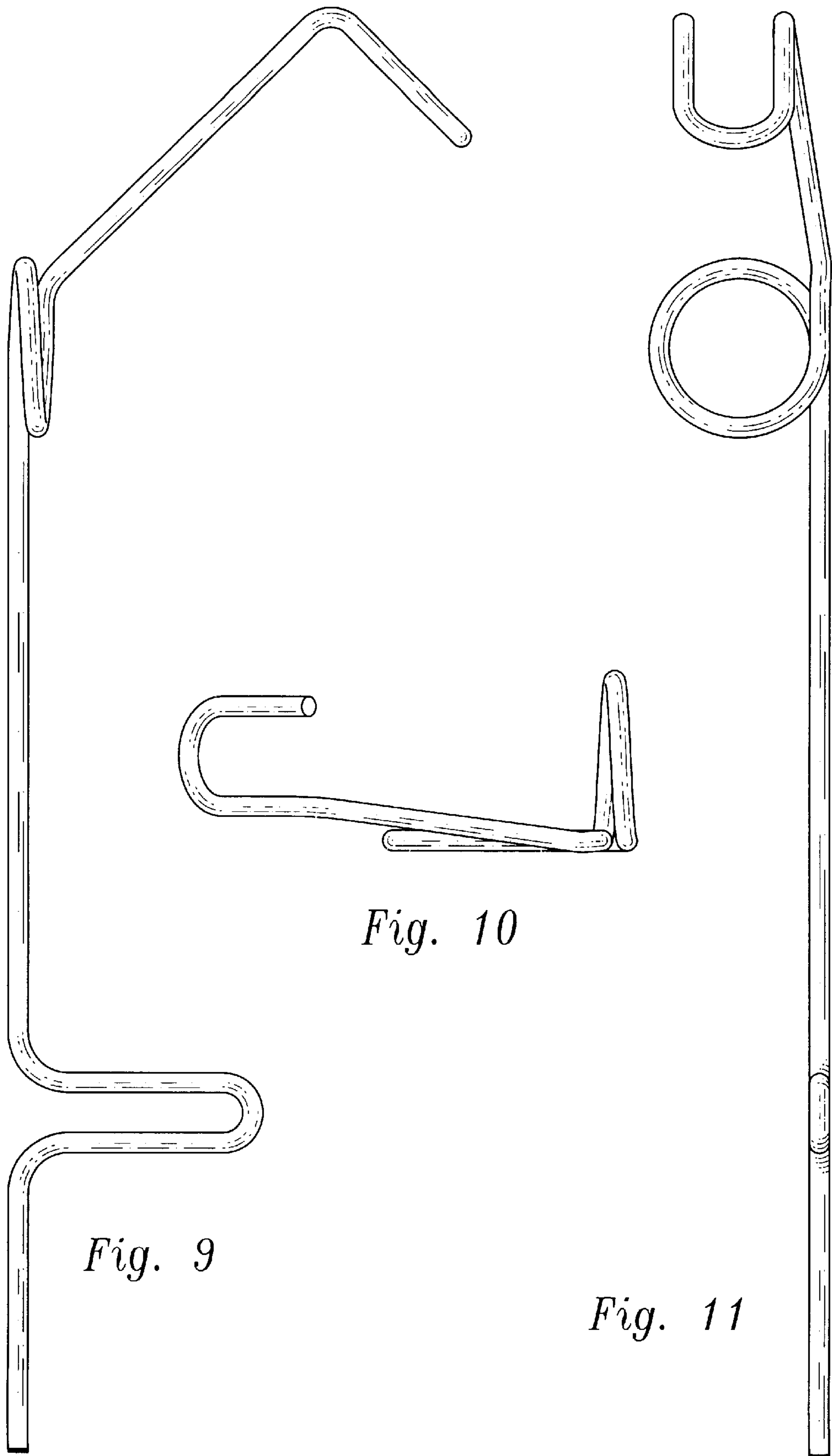


Fig. 9

Fig. 10

Fig. 11

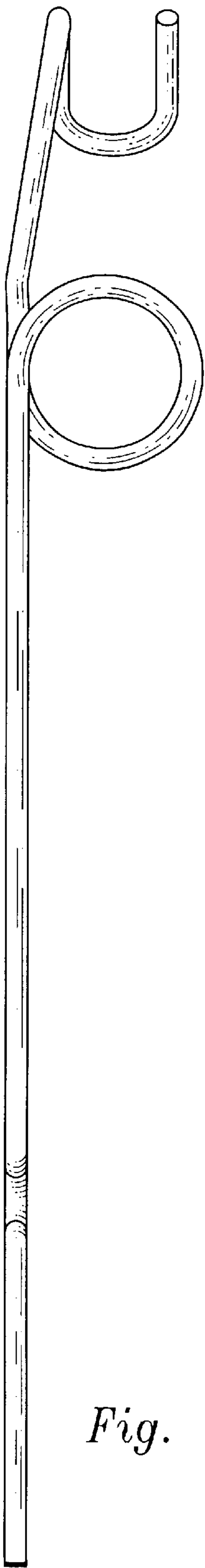


Fig. 12

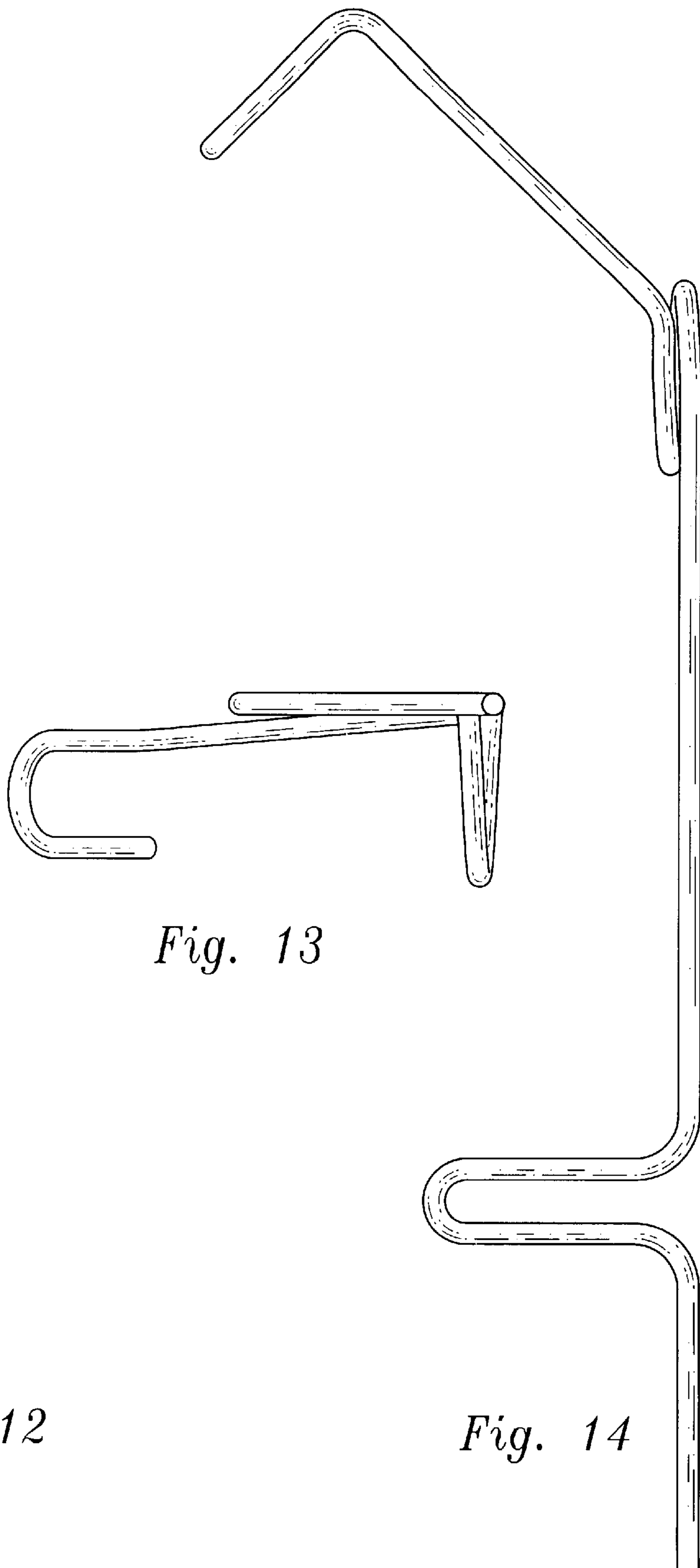


Fig. 13

Fig. 14