



US00D489116S

(12) **United States Design Patent**
Watson, Jr. et al.

(10) **Patent No.:** **US D489,116 S**

(45) **Date of Patent:** **** Apr. 27, 2004**

(54) **COMBINATION ARROW AND TRACKING ASSEMBLY THEREFOR**

6,612,947 B2 * 9/2003 Porter 473/578
2003/0176245 A1 * 9/2003 Cyr et al. 473/578

(76) Inventors: **Bobby G. Watson, Jr.**, Rte. 2, Box 2723, Ellsinore, MO (US) 63937; **Wendy Watson**, Rte. 2, Box 2723, Ellsinore, MO (US) 63937; **Willie Dale Arnold**, 811 N. Johnson, Pigoh, AR (US) 72454-8222

OTHER PUBLICATIONS

U.S. Patent cited, No. 6,612,947. was filed Oct. 2001, prior to the filing date of this application. Pre-grant Publication cited No. U.S. 2003/0176245 A1 was filed Mar. 2002, prior to the filing date of this application.*

(**) **Term:** **14 Years**

* cited by examiner

(21) **Appl. No.:** **29/169,082**

Primary Examiner—Louis S. Zarfaz

Assistant Examiner—Monica A. Weingart

(22) **Filed:** **Oct. 15, 2002**

(74) *Attorney, Agent, or Firm*—Donald R. Schoonover

(51) **LOC (7) Cl.** **22-03**

(57) **CLAIM**

(52) **U.S. Cl.** **D22/115**

We claim the ornamental design for a combination arrow and tracking assembly therefor, as shown and described.

(58) **Field of Search** D22/100, 107, D22/115, 199; D21/570, 571, 567; 200/61.53; 342/386, 448, 450; 455/66.1, 95, 98, 127.1, 128; 473/570, 571, 578, 583; D10/65

DESCRIPTION

(56) **References Cited**

U.S. PATENT DOCUMENTS

3,790,948 A * 2/1974 Ratkovich 455/98
4,858,935 A 8/1989 Capson
4,885,800 A 12/1989 Ragle
4,976,442 A 12/1990 Treadway
5,450,614 A * 9/1995 Rodriguez 473/578
D400,957 S * 11/1998 Botruff et al. D22/115
6,409,617 B1 * 6/2002 Arnold 473/578

FIG. 1 is a perspective view of the combination arrow and tracking assembly therefor, embodying the design of the present invention;

FIG. 2 is a front elevational view thereof;

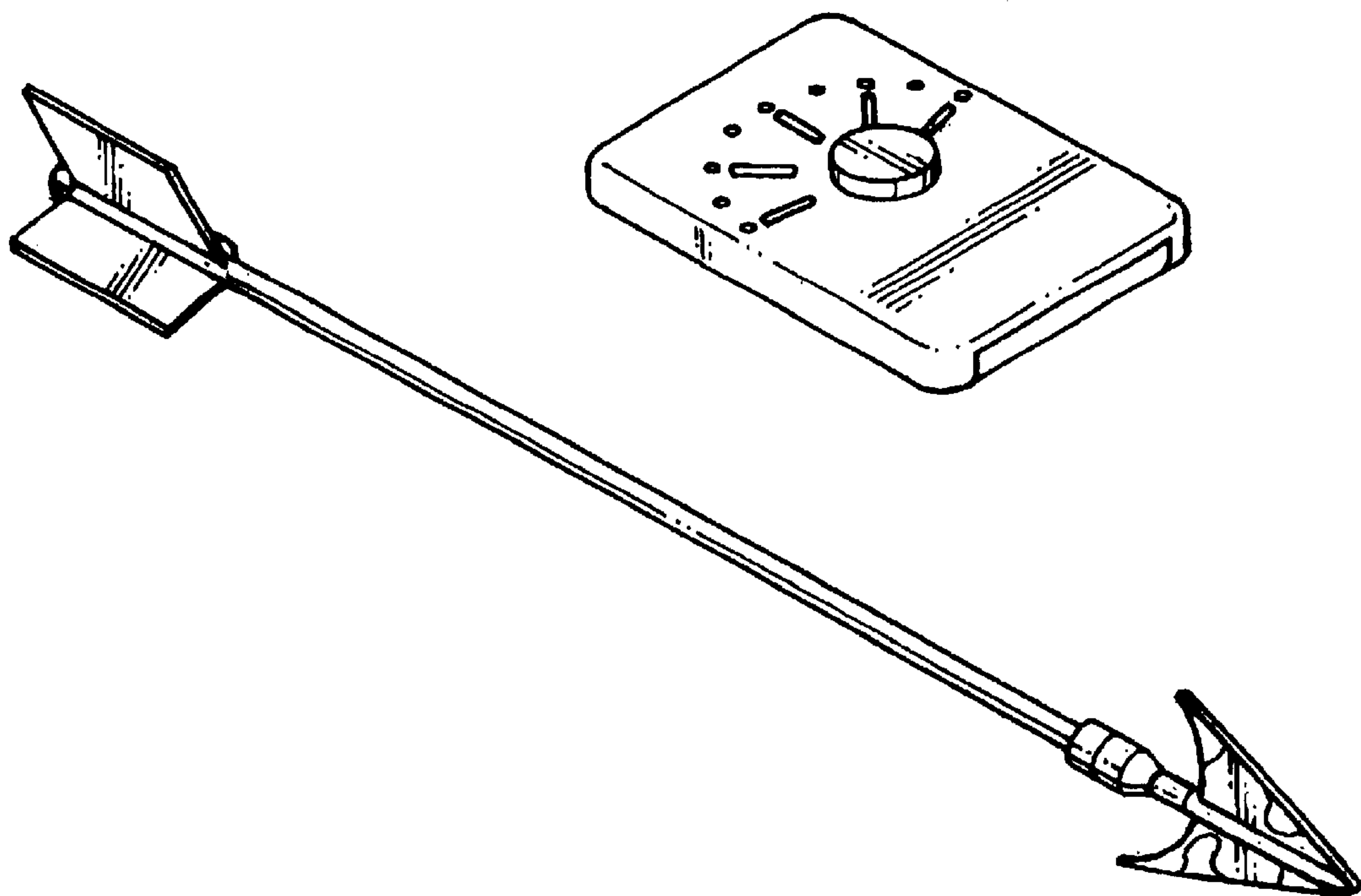
FIG. 3 is a rear elevational view thereof;

FIG. 4 is a right side elevational view thereof, the left side elevational view being a mirror image thereof;

FIG. 5 is a top plan view thereof; and,

FIG. 6 is a bottom plan view thereto.

1 Claim, 3 Drawing Sheets



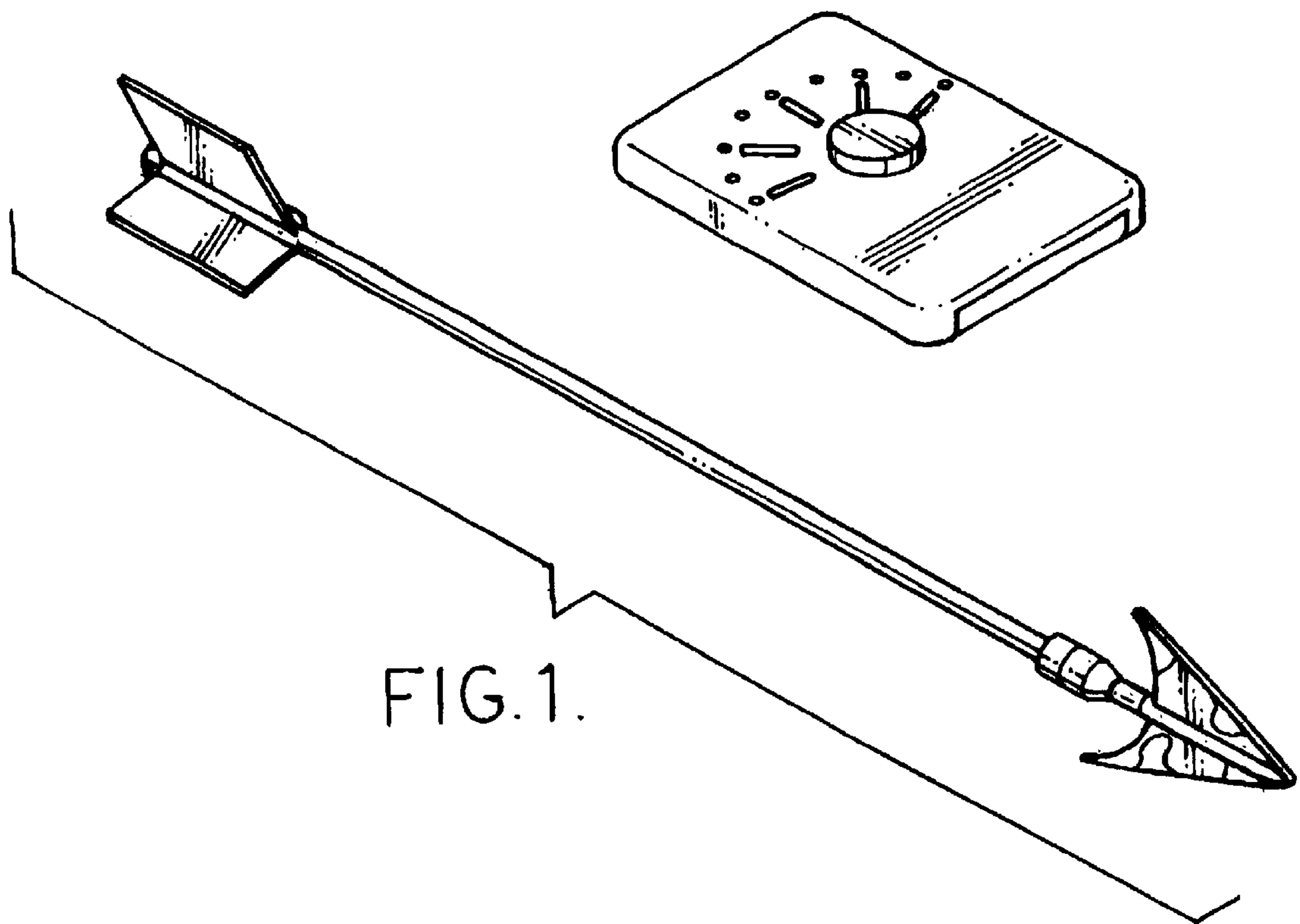
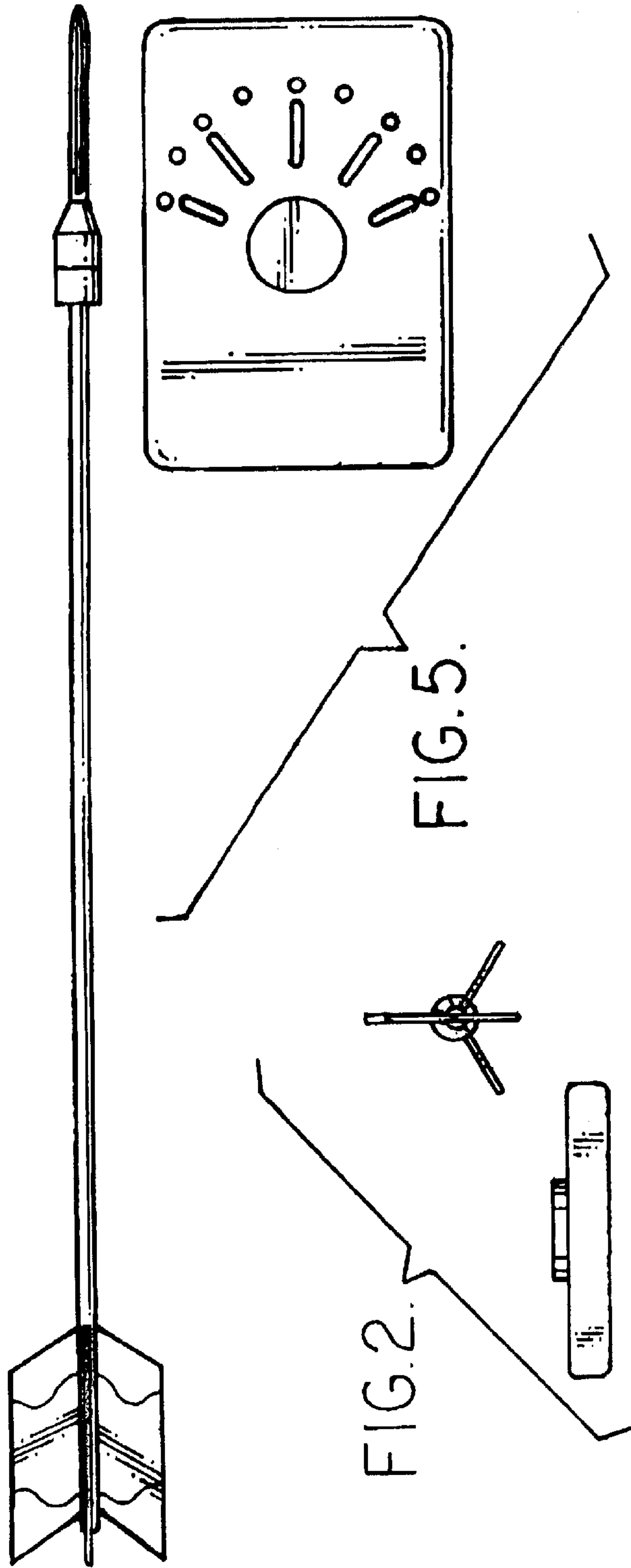
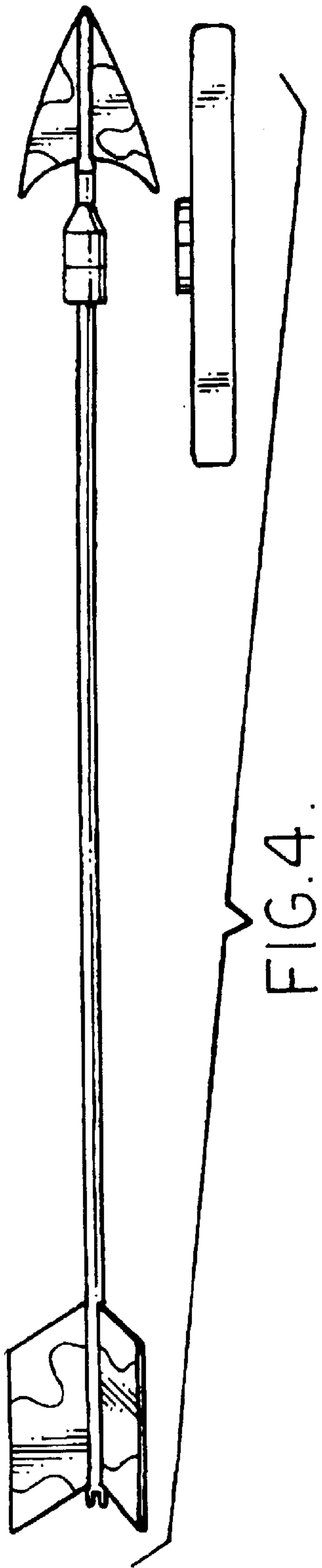


FIG. 1.



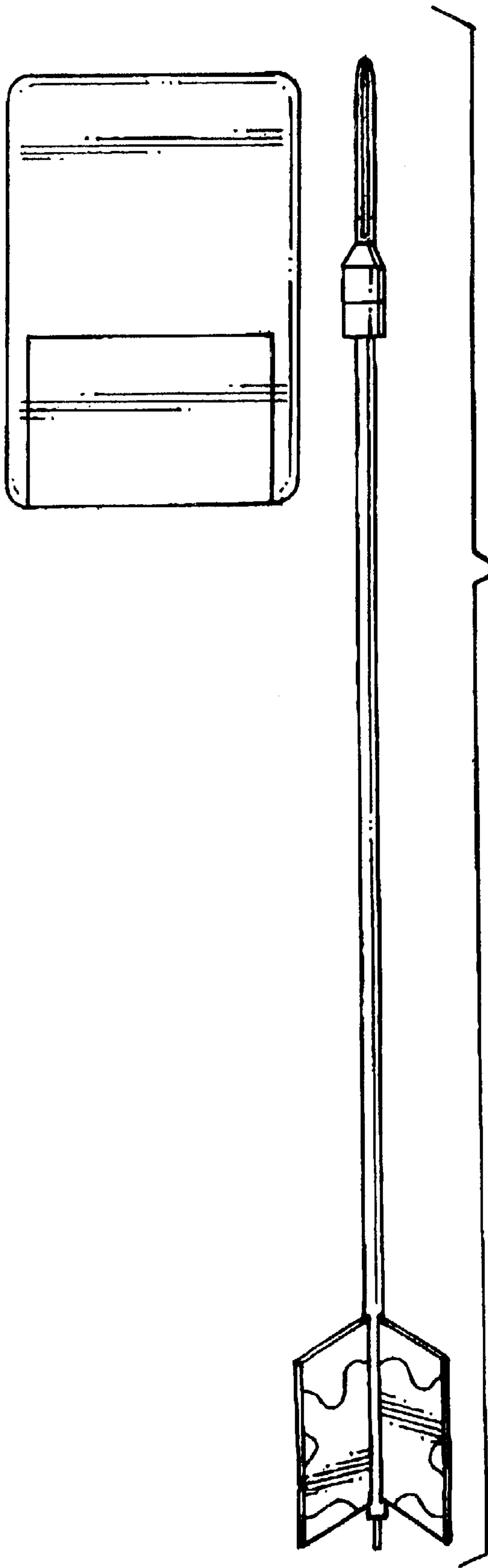


FIG. 6.

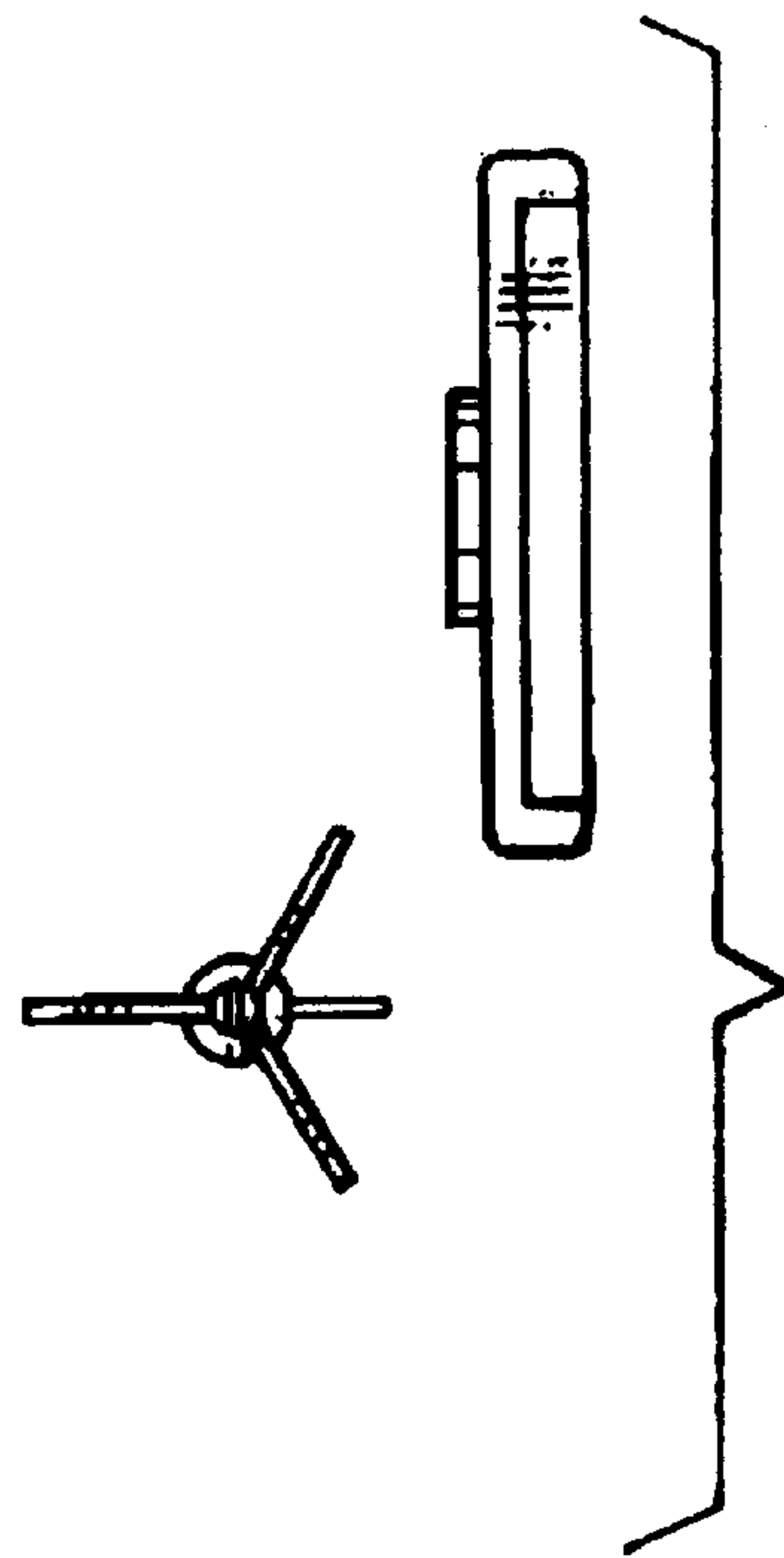


FIG. 3.