



US00D489112S

(12) **United States Design Patent**
Jacome

(10) **Patent No.:** **US D489,112 S**

(45) **Date of Patent:** **** Apr. 27, 2004**

(54) **TURF DIVOT FIXER AND GOLF TEE HOLDER**

(76) **Inventor:** **David E. Jacome**, 3940 E. Timrod,
#119, Tucson, AZ (US) 85711

(**) **Term:** **14 Years**

(21) **Appl. No.:** **29/173,916**

(22) **Filed:** **Jan. 8, 2003**

(51) **LOC (7) Cl.** **21-02**

(52) **U.S. Cl.** **D21/796**

(58) **Field of Search** D21/789, 796;
D3/320, 229; 473/284, 285, 405, 408; 224/267,
269, 247; 206/315.1

(56) **References Cited**

U.S. PATENT DOCUMENTS

- 1,789,910 A * 1/1931 Rosenstein 206/315.1
- 4,830,248 A * 5/1989 Pommenville 224/269
- 5,158,179 A * 10/1992 Gosselin 206/315.1
- D338,254 S * 8/1993 Ribbeck D3/224
- 5,782,708 A * 7/1998 Kimball, Jr. 473/408

- D405,860 S * 2/1999 Hargrove D21/796
- 5,868,143 A * 2/1999 Nielsen 131/329
- D412,958 S * 8/1999 Sisson D21/798
- D425,163 S * 5/2000 Cauffman et al. D21/793
- D425,164 S * 5/2000 Tate D21/793

* cited by examiner

Primary Examiner—Mitchell Siegel

(74) *Attorney, Agent, or Firm*—Thrasher Associates, LLC

(57) **CLAIM**

I claim the ornamental design for a turf divot fixer and golf tee holder, as shown.

DESCRIPTION

FIG. 1 is a rear view of my divot fixer and golf tee holder; and
 FIG. 2 is a rear view of my divot fixer and golf tee holder with the swivel joint down.
 FIG. 3 is a front view of my divot fixer and golf tee holder; and,
 FIG. 4 is a front view of my divot fixer and golf tee holder with the swivel joint down.

1 Claim, 2 Drawing Sheets

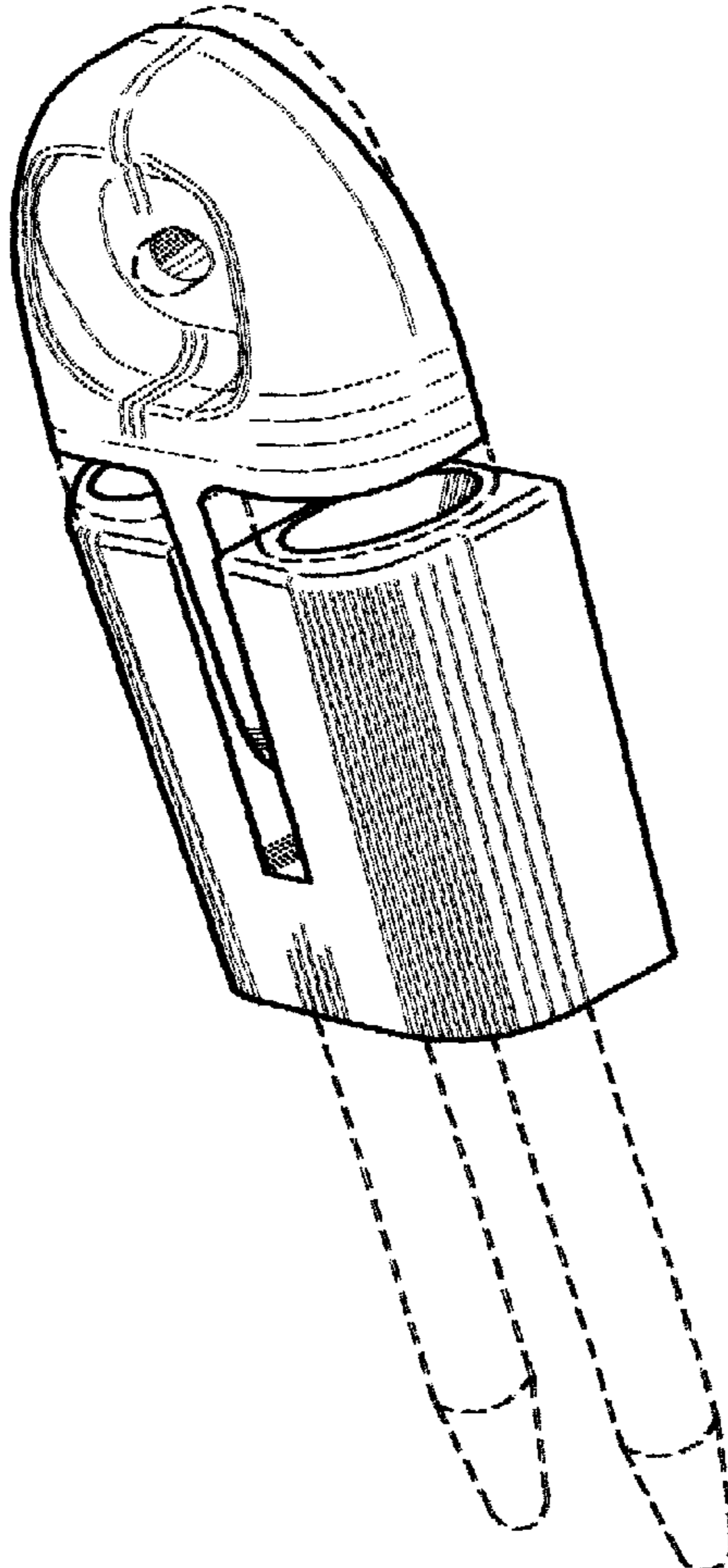


Fig. 1

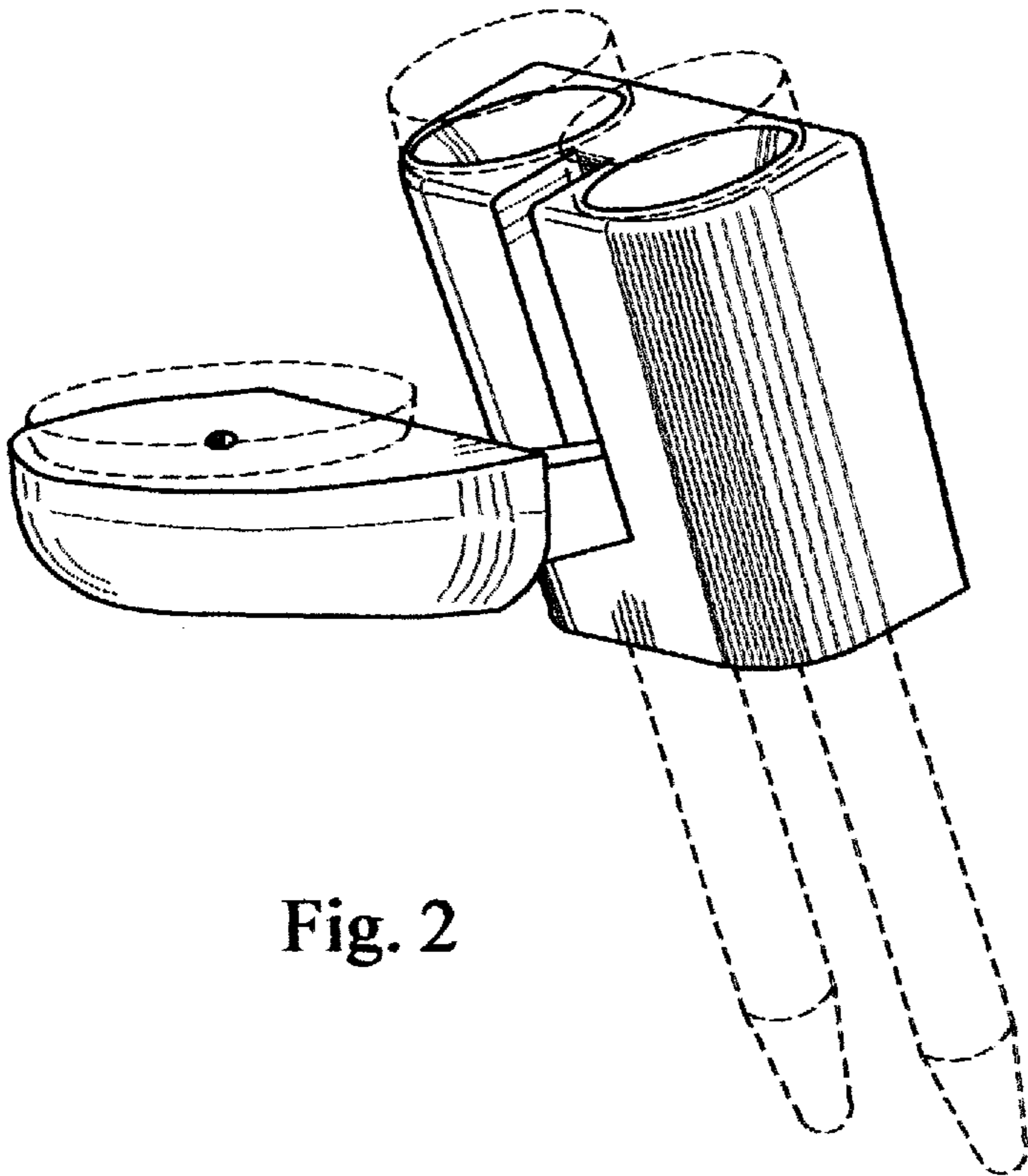
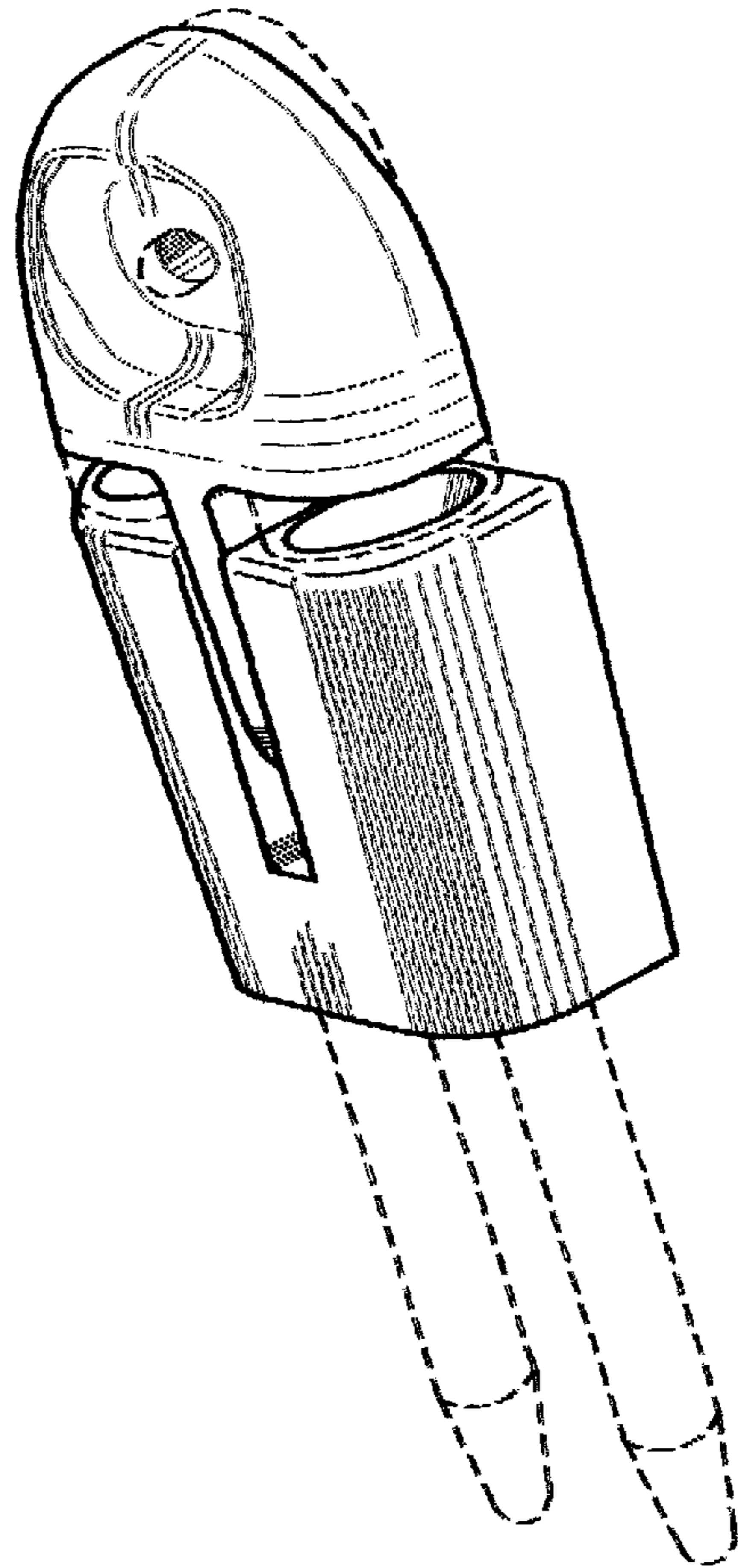


Fig. 2

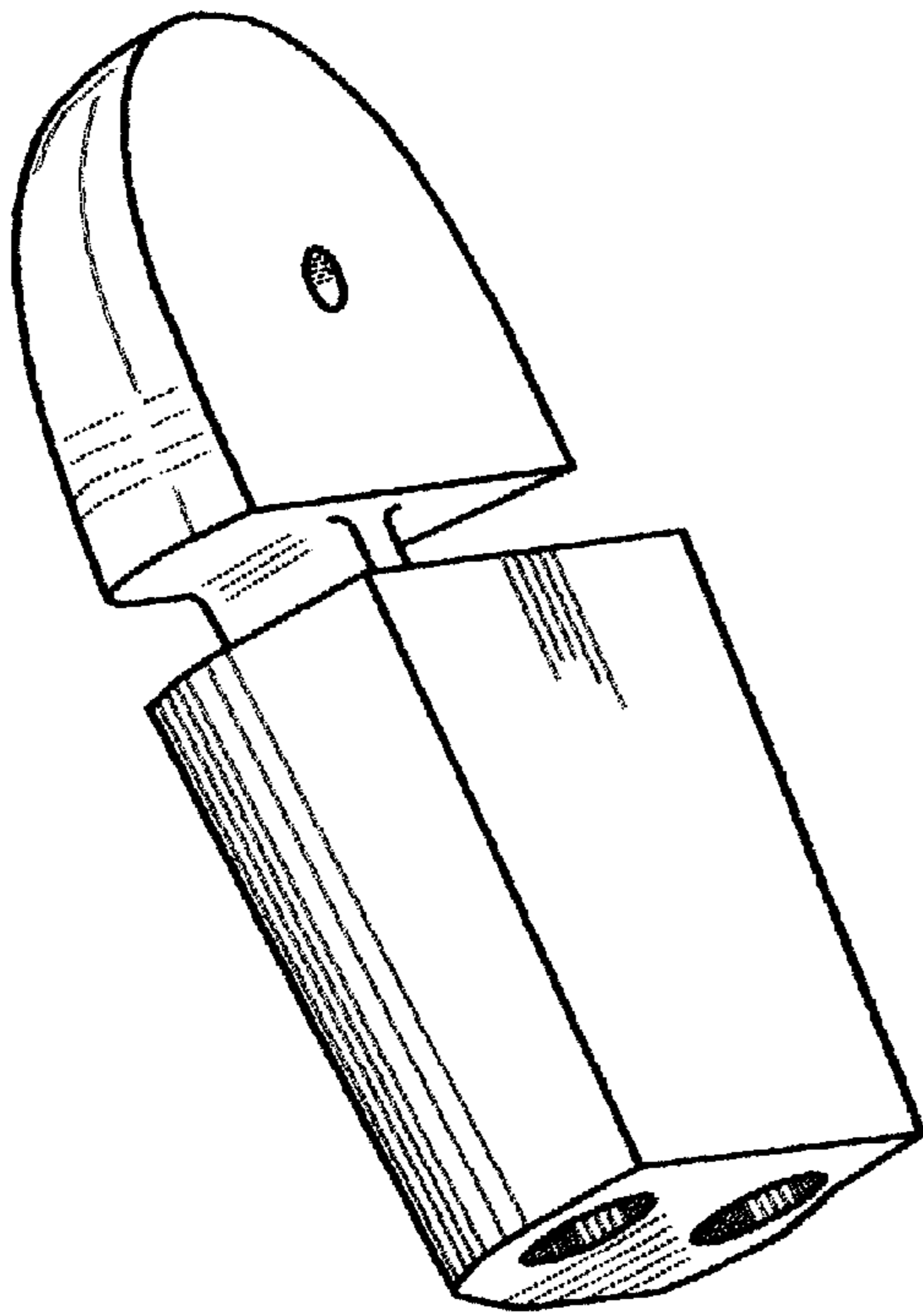


Fig. 3

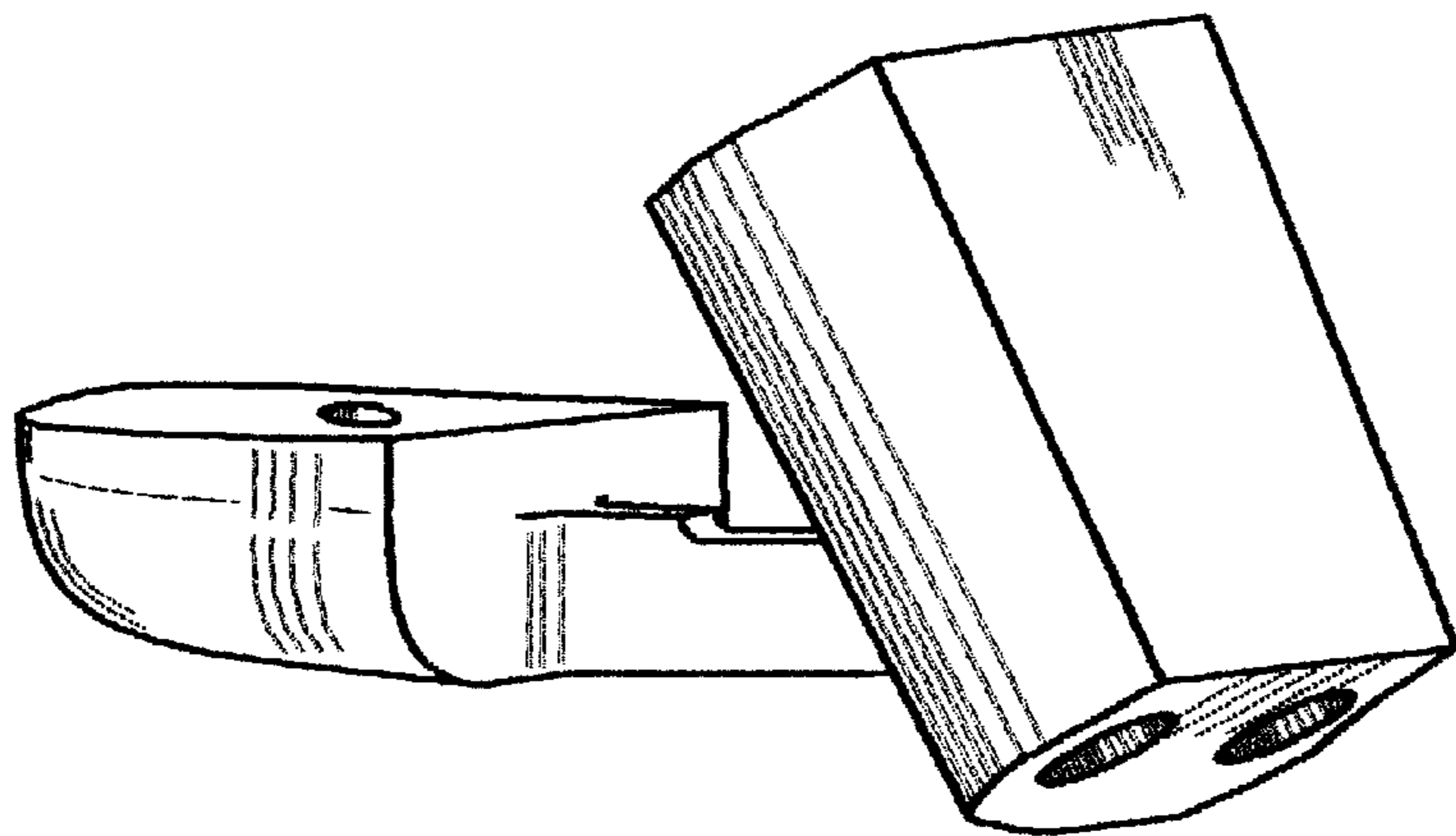


Fig. 4