



US00D489110S

(12) **United States Design Patent**
Carlson

(10) **Patent No.:** **US D489,110 S**

(45) **Date of Patent:** **** Apr. 27, 2004**

(54) **SKATEBOARD WHEEL**

(76) **Inventor:** **Glen Crawford Carlson**, 150
Groveland St., Springfield, MA (US)
01108

(**) **Term:** **14 Years**

(21) **Appl. No.:** **29/166,822**

(22) **Filed:** **Sep. 4, 2002**

(51) **LOC (7) Cl.** **21-02**

(52) **U.S. Cl.** **D21/779**

(58) **Field of Search** D21/760, 763-765,
D21/771, 779; D12/207, 208; 280/11.19,
11.221-11.233, 11.24-11.25, 11.27, 87.042,
87.01; 301/5.301, 5.303, 5.304, 5.308

(56) **References Cited**

U.S. PATENT DOCUMENTS

2,697,010 A * 12/1954 Hirschmugl 301/5.304
D266,396 S * 10/1982 Neville D21/779
4,807,896 A * 2/1989 Philippi 280/87.042

D302,576 S * 8/1989 Woods D21/765

D418,890 S * 1/2000 Wilson D21/779

D422,662 S * 4/2000 Edwards et al. D21/765

6,592,189 B1 * 7/2003 Back, Sr. 301/5.308

D478,643 S * 8/2003 Langford et al. D21/765

* cited by examiner

Primary Examiner—Raphael Barkai

(74) *Attorney, Agent, or Firm*—Doherty, Wallace, Pillsbury
and Murphy, P.C.

(57) **CLAIM**

The ornamental design for a skateboard wheel, as shown and
described.

DESCRIPTION

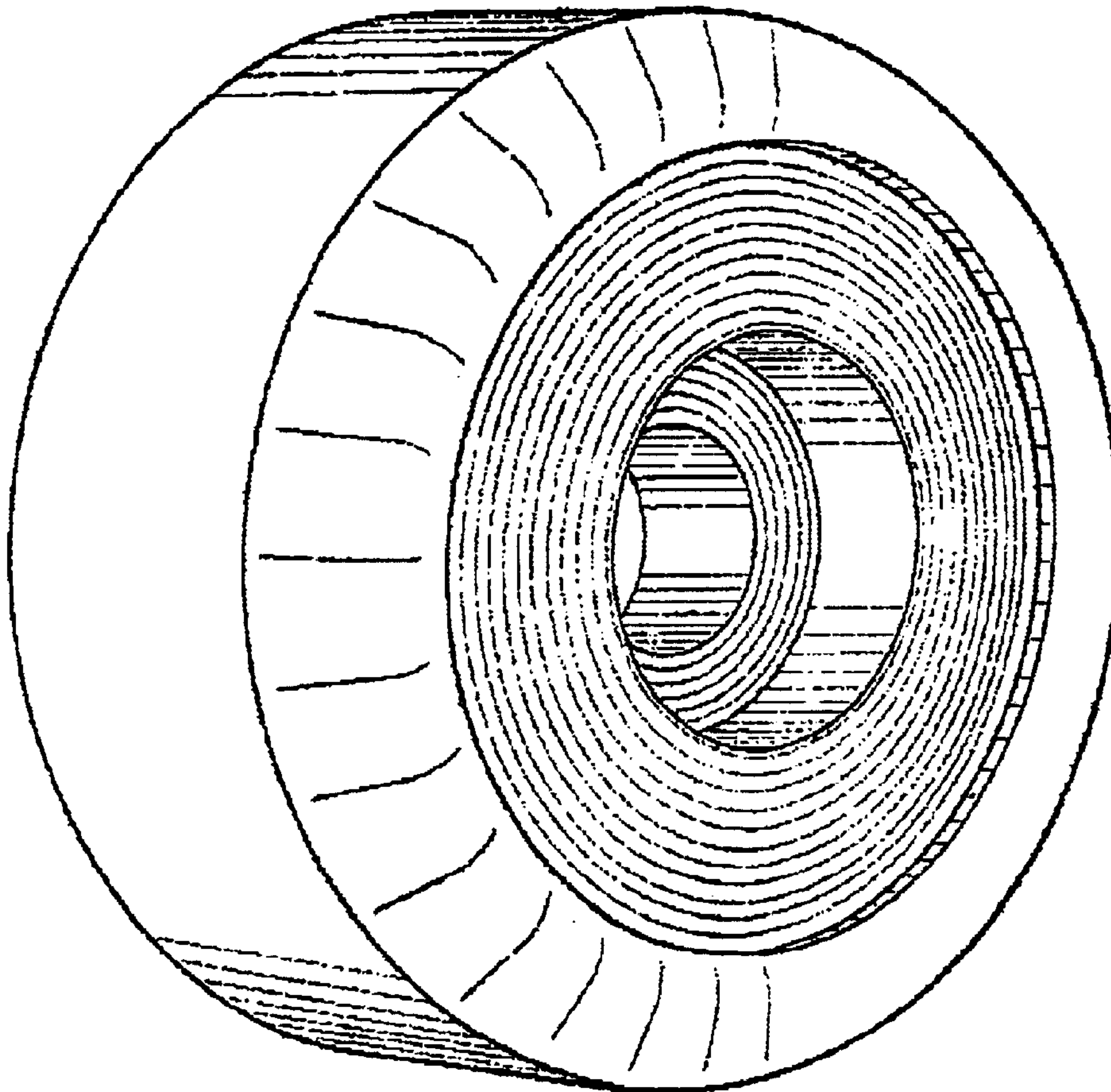
FIG. 1 is a perspective view of my new design for a
skateboard wheel.

FIG. 2 is a side view of my skateboard wheel.

FIG. 3 is a front view of my skateboard wheel; and,

FIG. 4 is a sectional front view of my skateboard wheel.

1 Claim, 4 Drawing Sheets



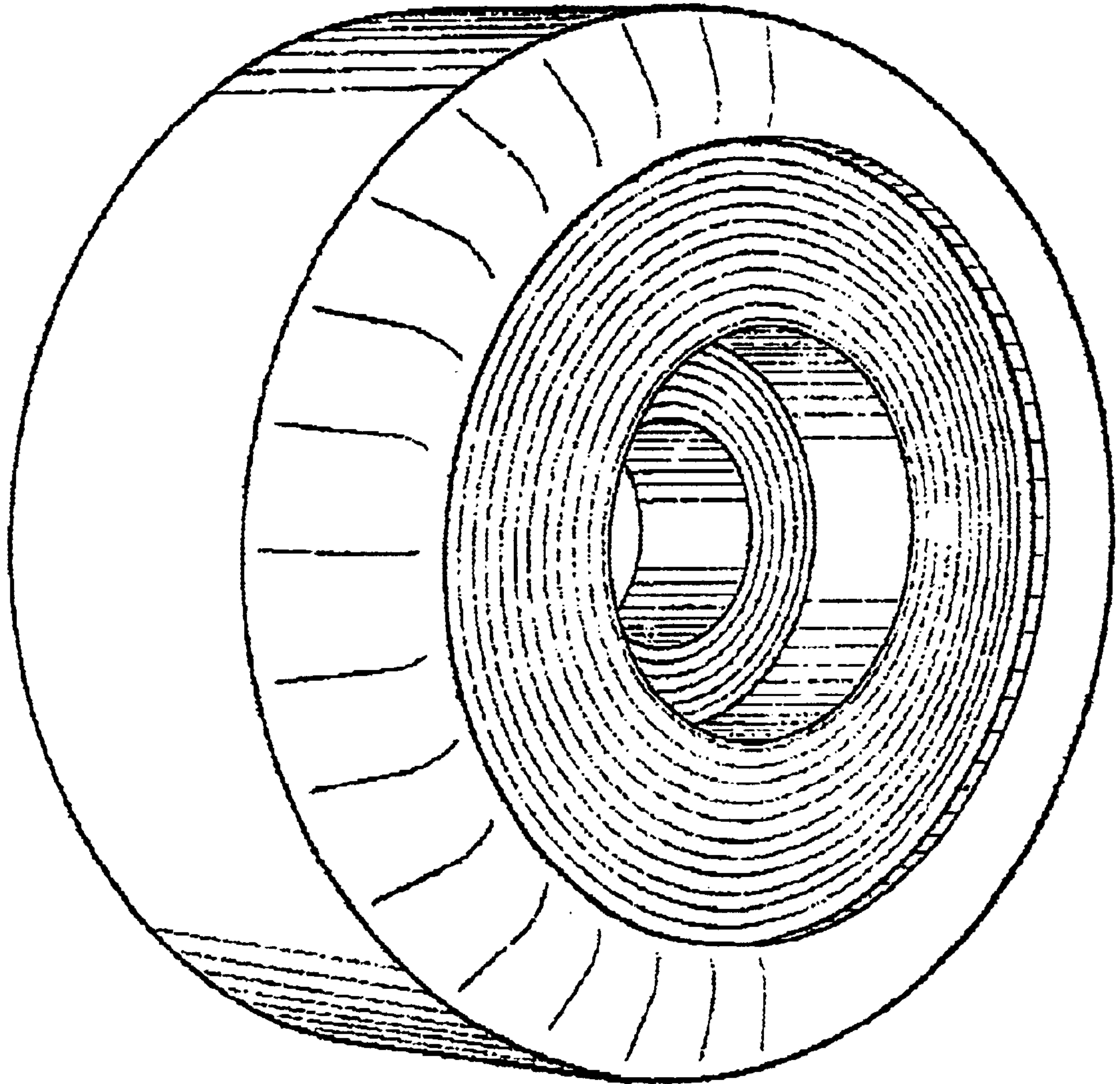


Figure 1

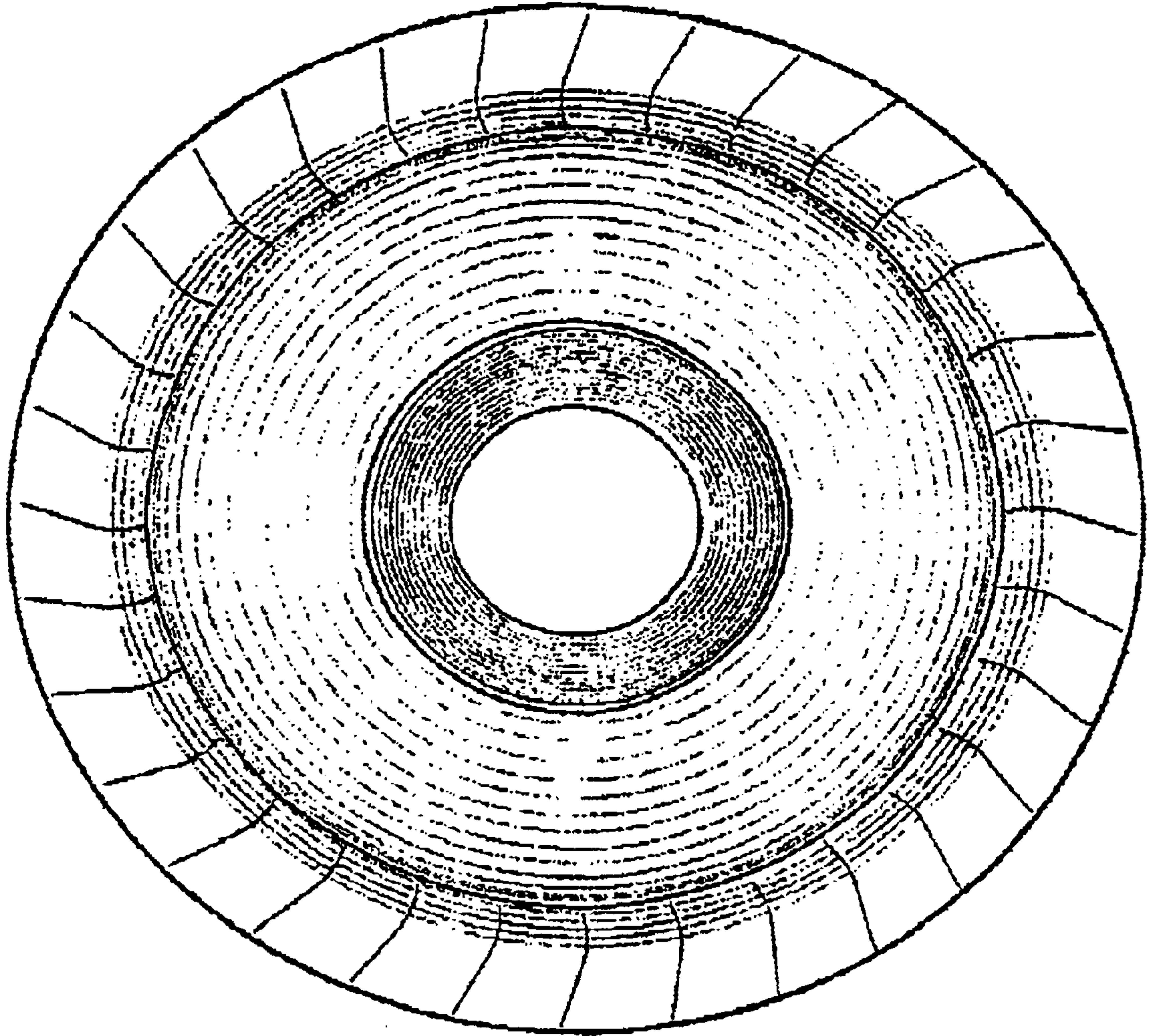


Figure 2

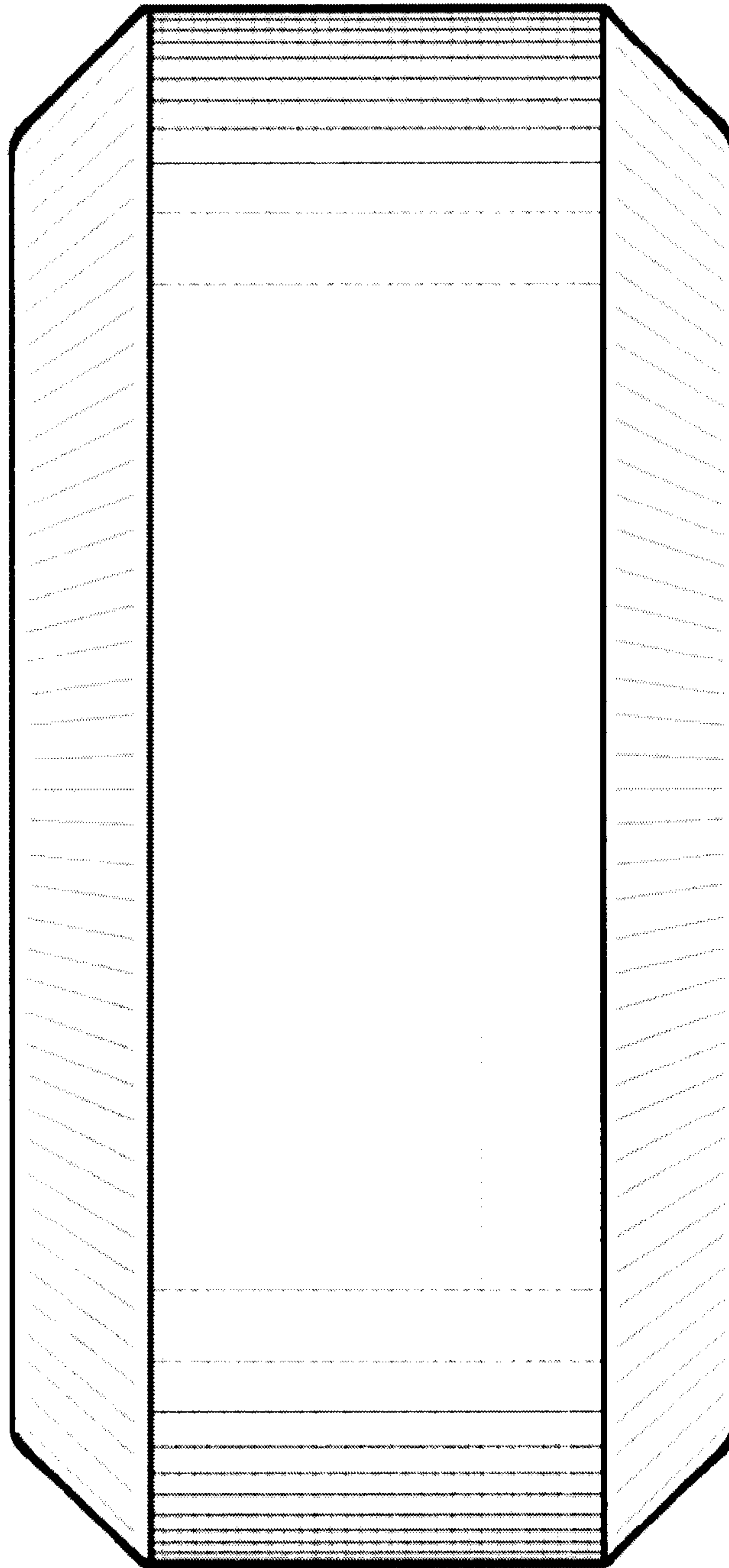


Figure 3

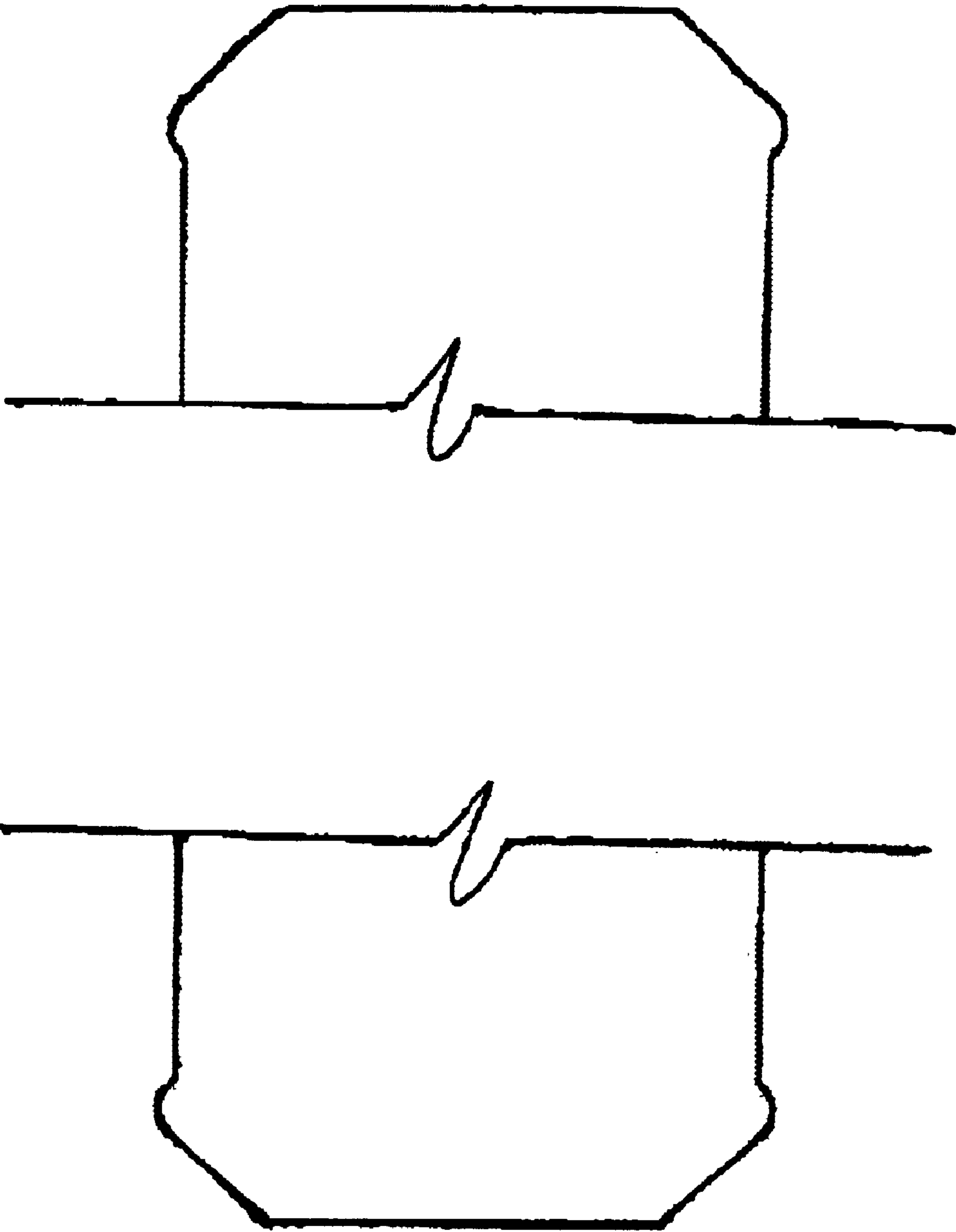


Figure 4