



US00D489109S

(12) **United States Design Patent**
Polanco

(10) **Patent No.:** **US D489,109 S**

(45) **Date of Patent:** **** Apr. 27, 2004**

(54) **ROLLER SKATING APPARATUS**
(76) Inventor: **Manuel Polanco**, Calle 151 No 20-57
Bloque 3, Apt. 201 Conjunto
Residencial CAPRI 1, Bogota (CO)

(**) Term: **14 Years**

(21) Appl. No.: **29/182,578**

(22) Filed: **May 28, 2003**

(51) **LOC (7) Cl.** **21-02**

(52) **U.S. Cl.** **D21/764**

(58) **Field of Search** D21/760, 763-764,
D21/771, 779; D2/902, 904, 946; 280/11.19,
11.26, 11.27, 809, 811, 11.221-11.233,
11.25, 11.24

(56) **References Cited**

U.S. PATENT DOCUMENTS

2,145,219	A	*	1/1939	Burton	280/11.231
D363,103	S	*	10/1995	Sherman et al.	D21/764
D375,771	S	*	11/1996	Liu	D21/764
D420,082	S	*	2/2000	Curtis	D21/764
D444,836	S	*	7/2001	Yang	D21/764

D450,363	S	*	11/2001	Mayer et al.	D21/764
6,416,064	B1	*	7/2002	Evans	280/11.221
6,557,862	B1	*	5/2003	Gallo	280/11.27

* cited by examiner

Primary Examiner—Raphael Barkai
(74) *Attorney, Agent, or Firm*—Dale J. Ream

(57) **CLAIM**

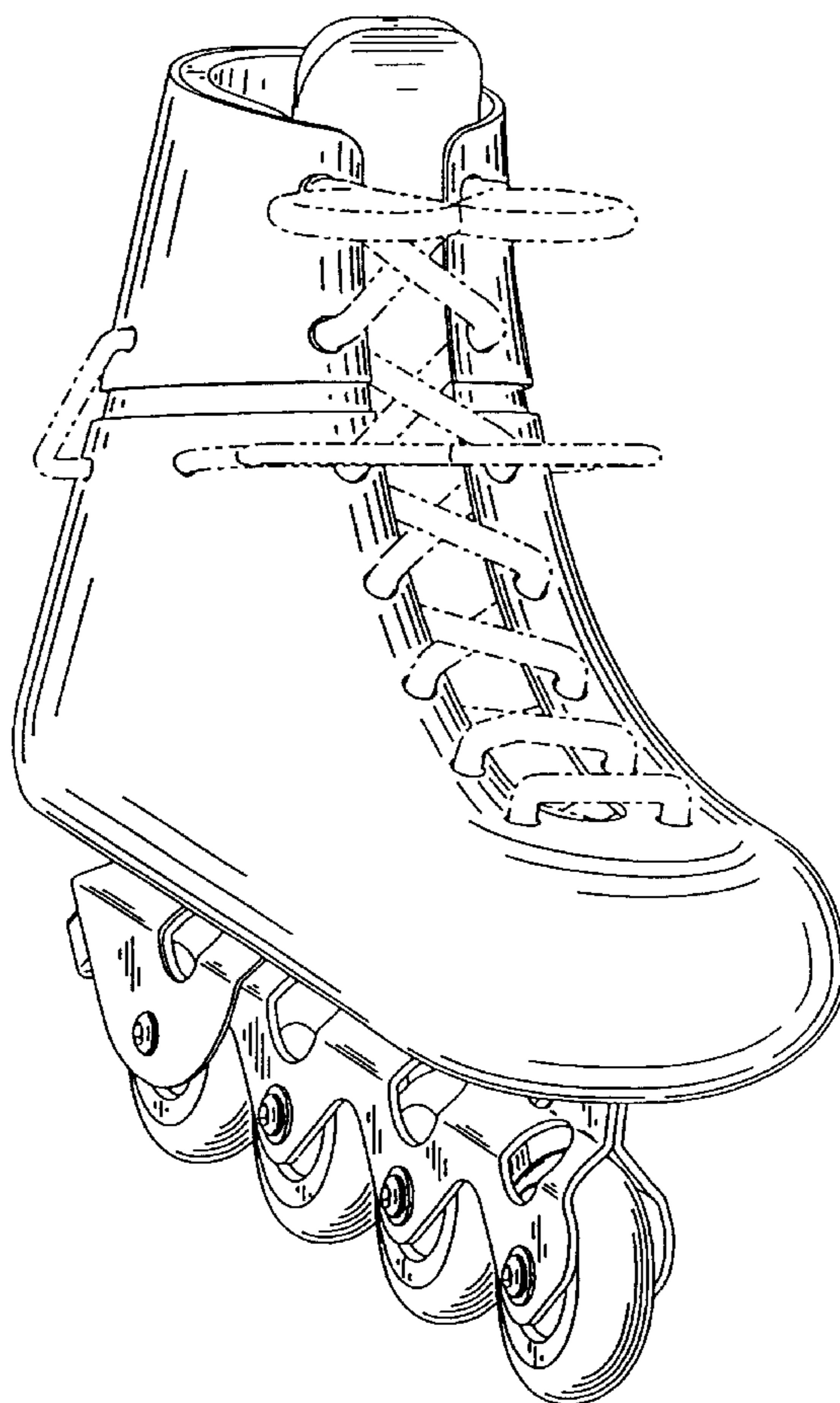
The ornamental design for a roller skating apparatus, as shown and described in FIGS. 1 through 7.

DESCRIPTION

FIG. 1 is a perspective view of a roller skating apparatus showing my new design;
FIG. 2 is a right side view thereof;
FIG. 3 is a left side view thereof;
FIG. 4 is a front view thereof;
FIG. 5 is a rear view thereof.
FIG. 6 is a top view thereof; and,
FIG. 7 is a bottom view thereof.

The broken lines shown in FIGS. 1-7 are for illustrative purposes only and form no part of the claimed design.

1 Claim, 7 Drawing Sheets



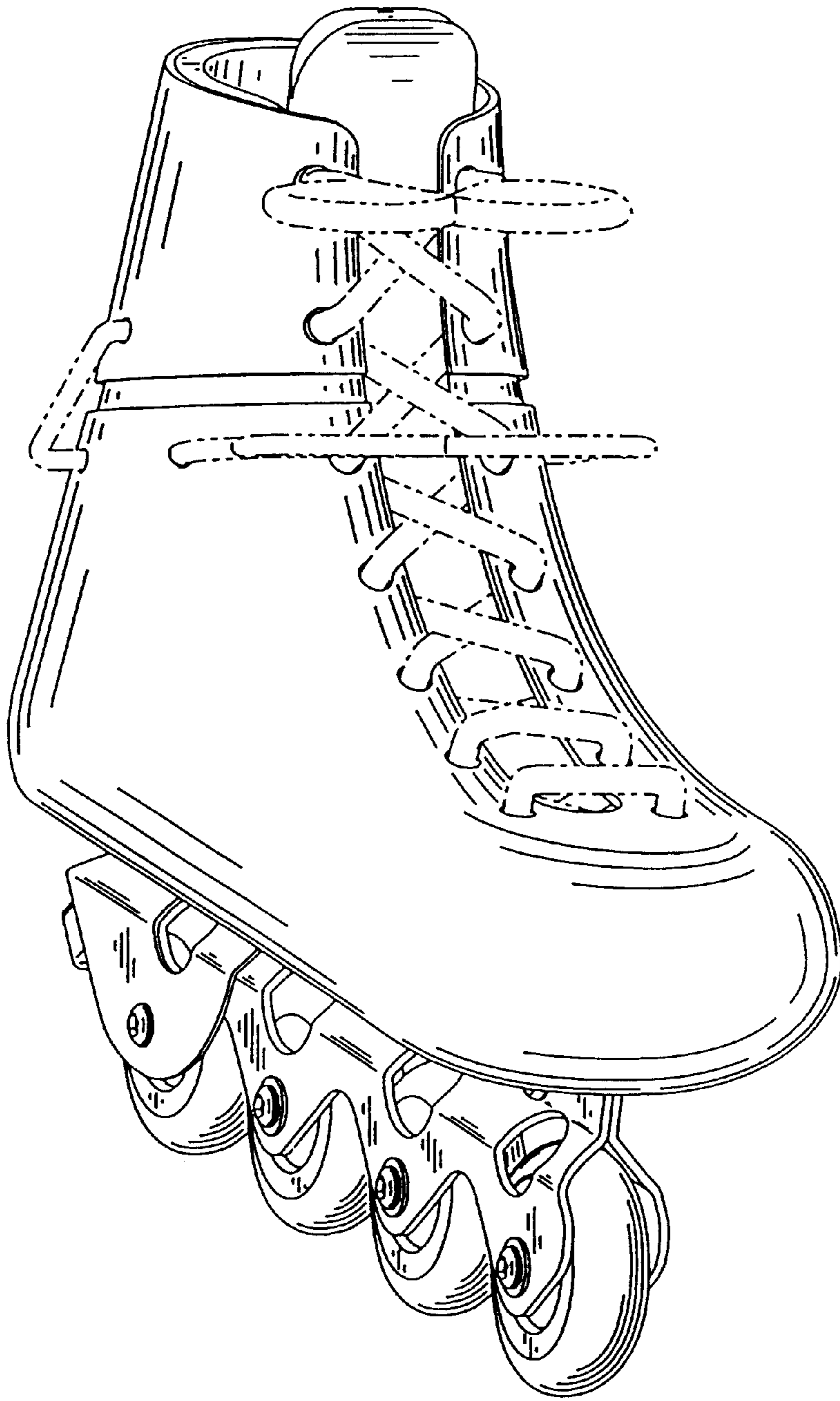


FIG. 1

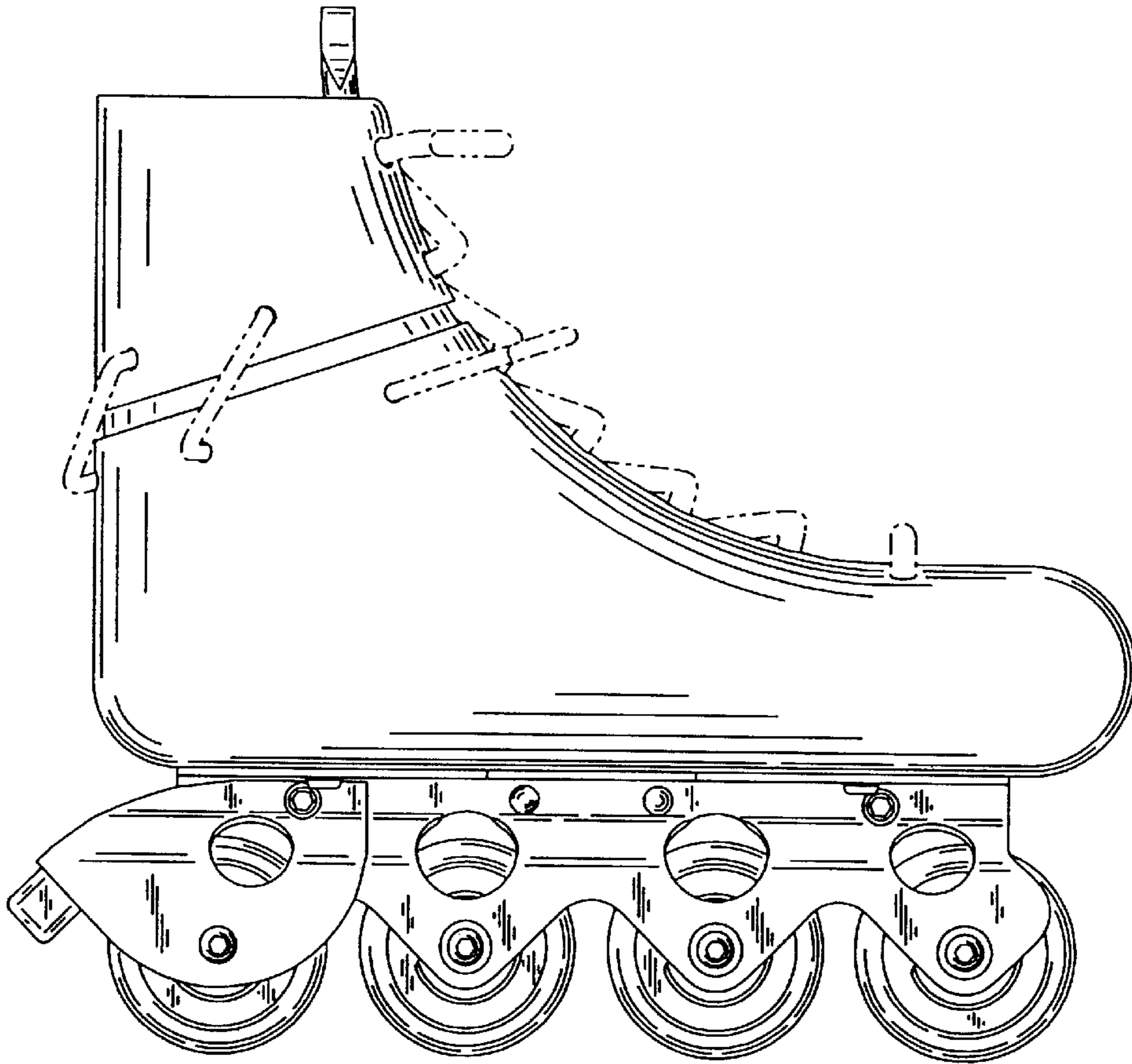


FIG. 2

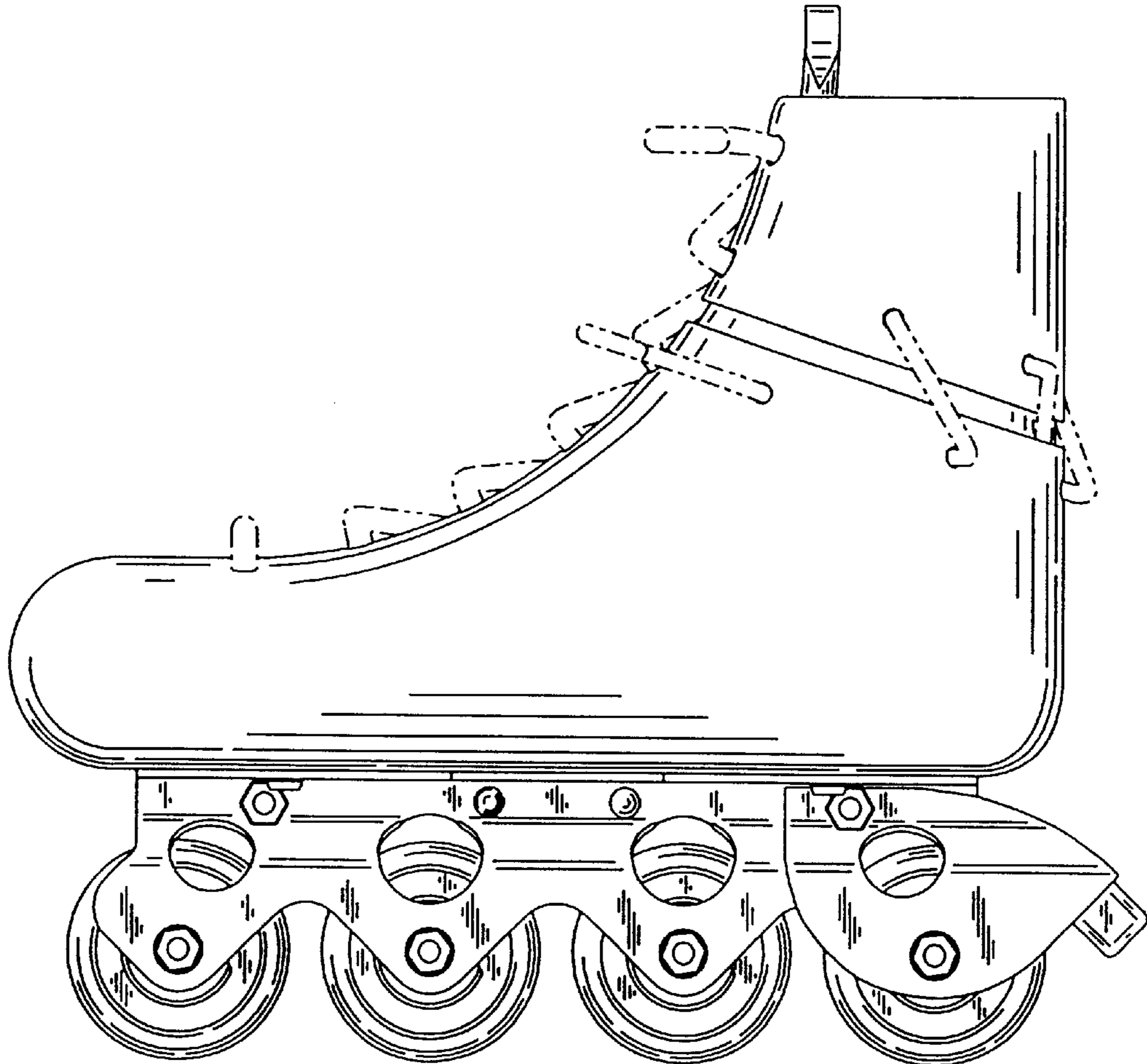


FIG. 3

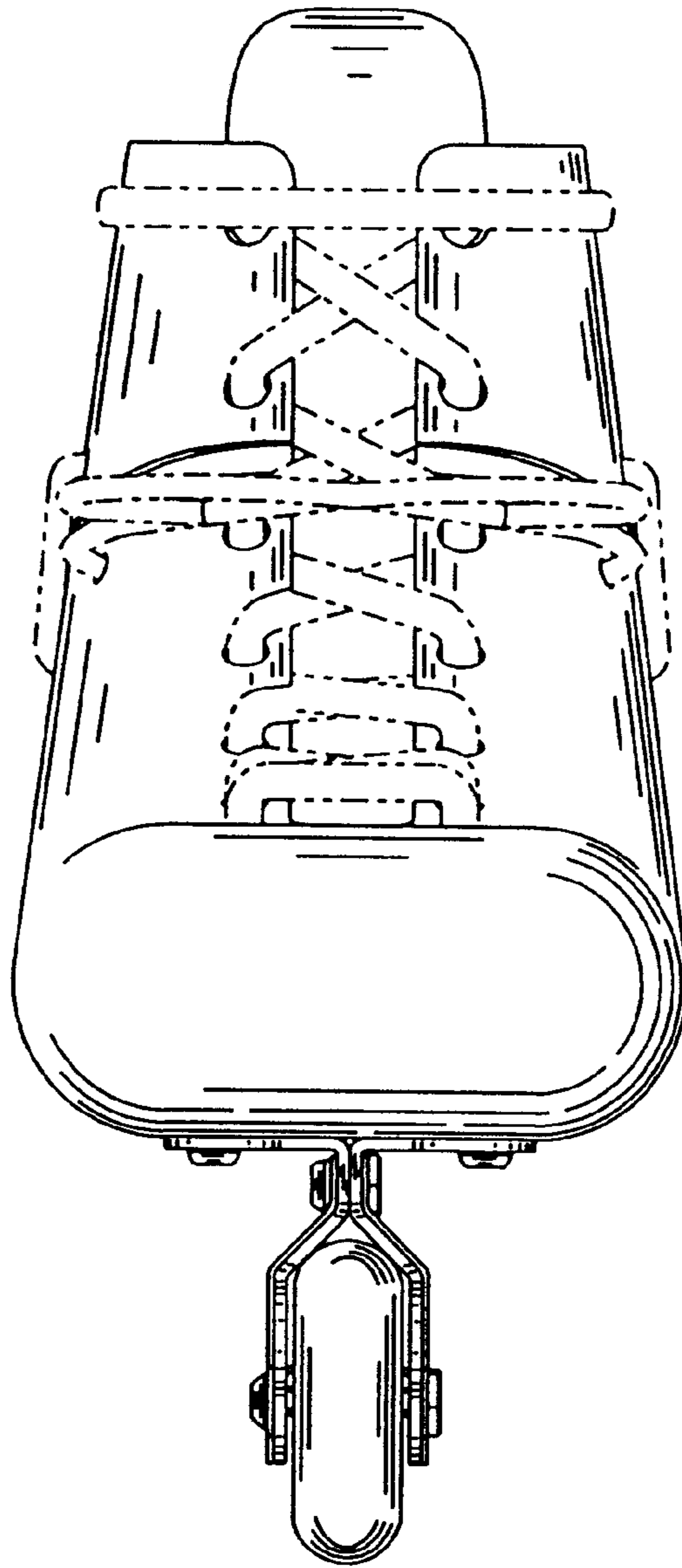


FIG. 4

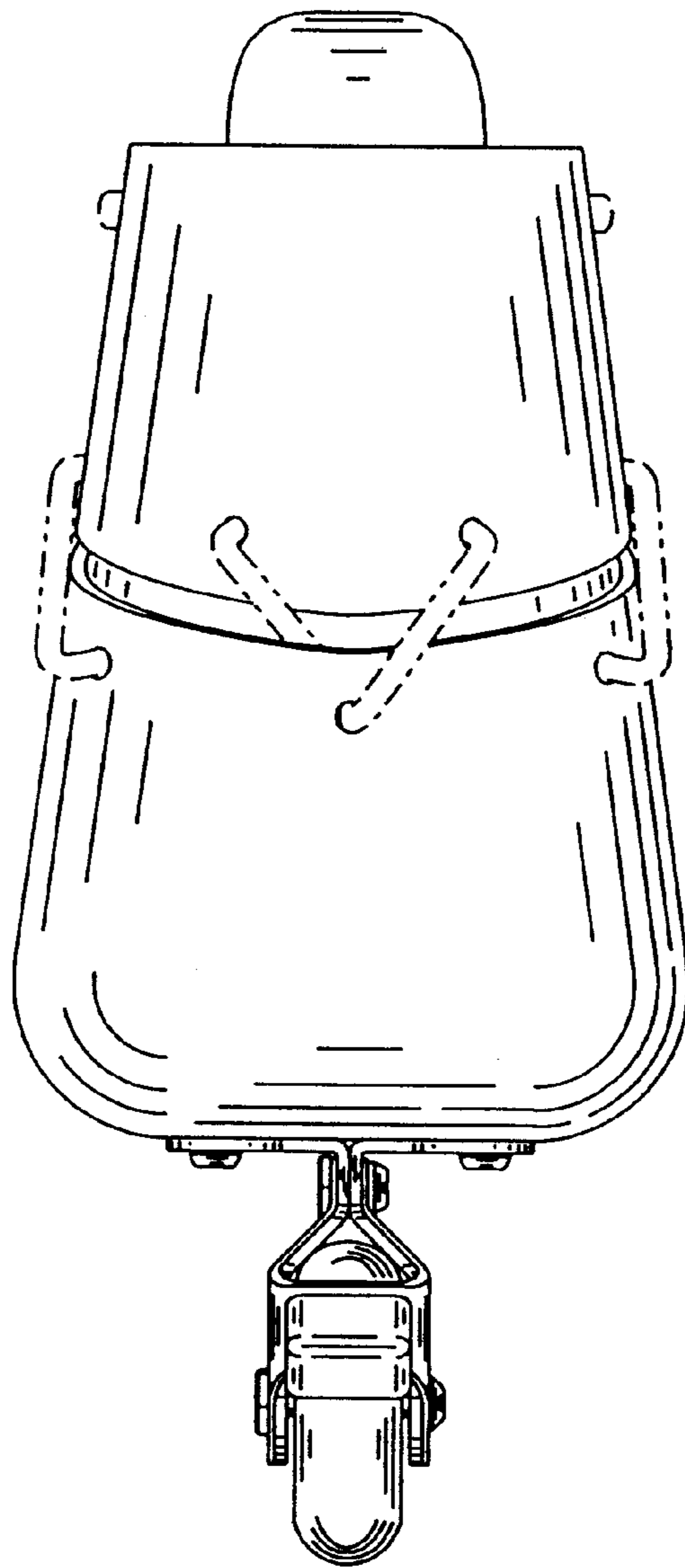


FIG. 5

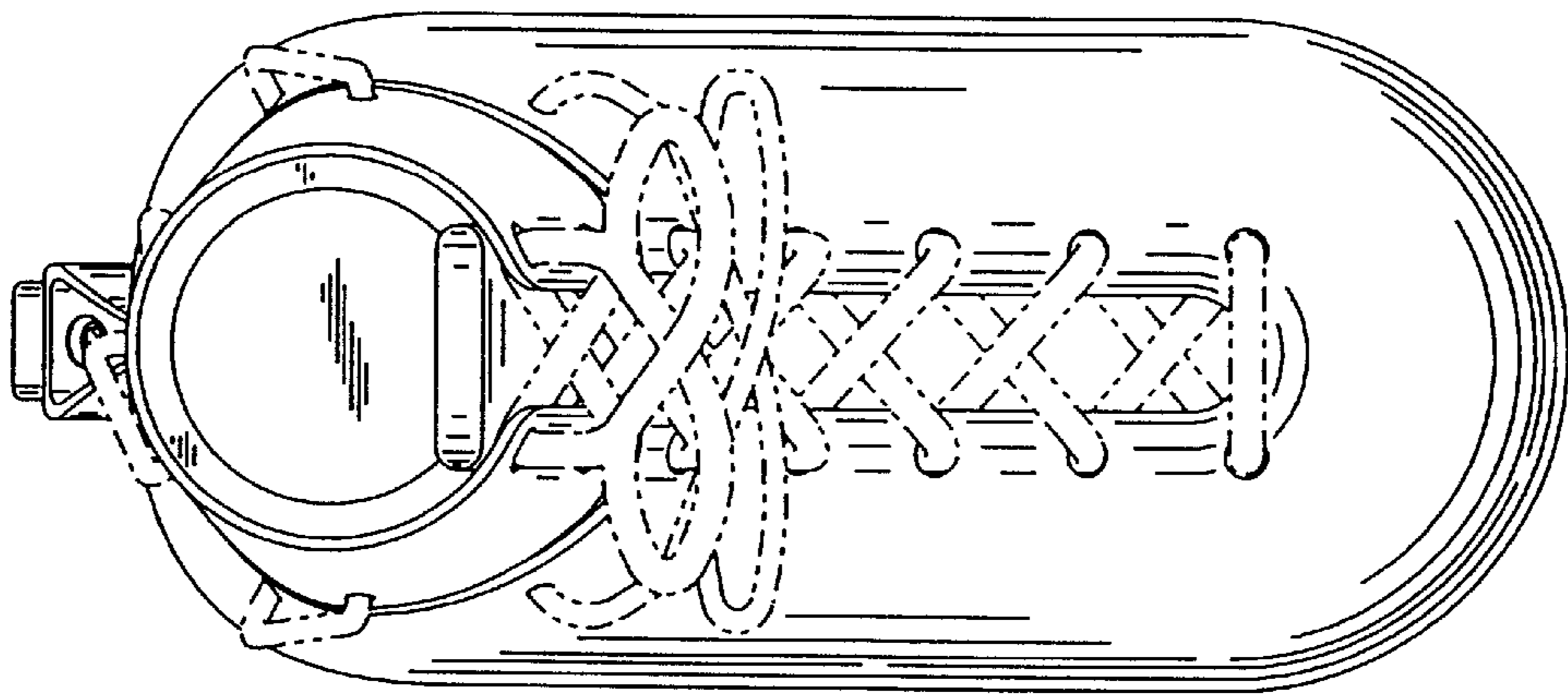


FIG. 6

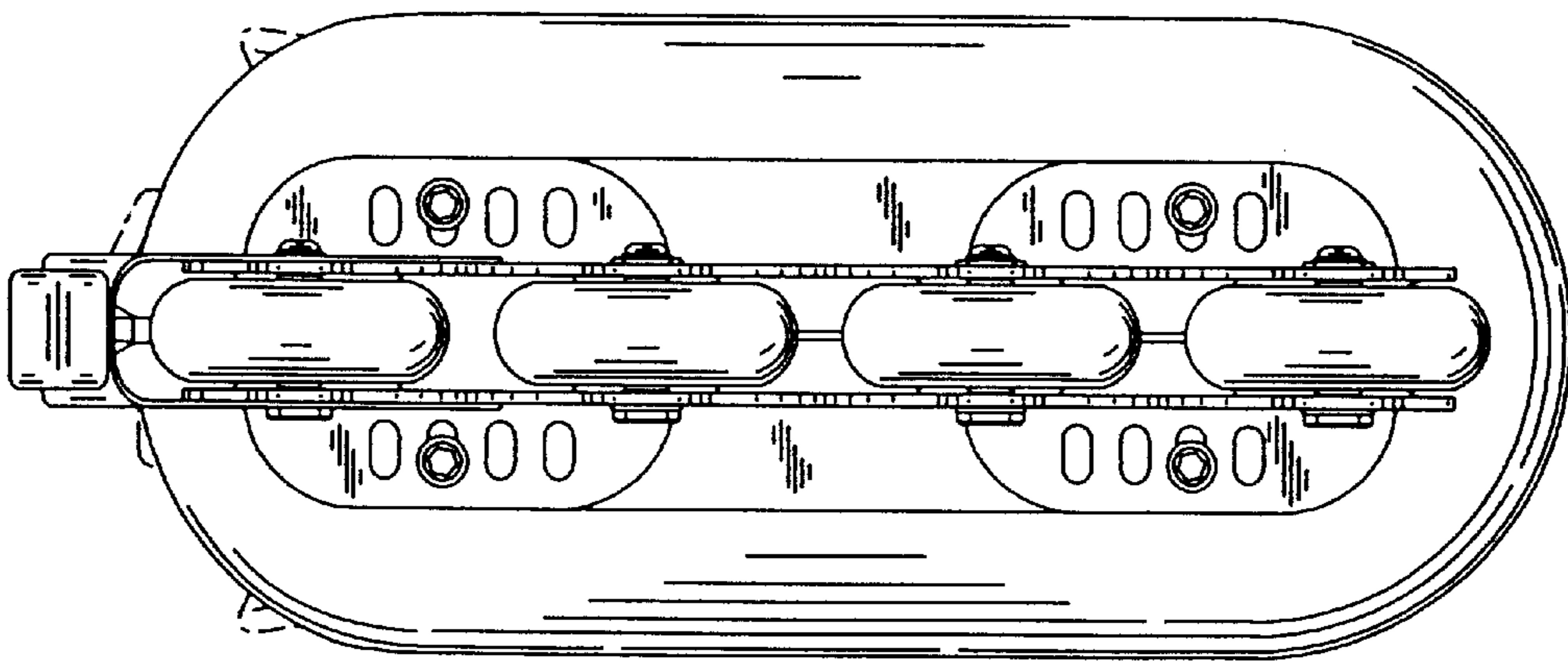


FIG. 7