



US00D489108S

(12) **United States Design Patent**
Washburn

(10) **Patent No.: US D489,108 S**

(45) **Date of Patent: ** Apr. 27, 2004**

(54) **COMBINED ANNULAR ICE SKATE BLADE AND HUB**

(76) **Inventor: Gregory S. Washburn**, 10525 Nesbitt Ave. South, Bloomington, MN (US) 55437

(**) **Term: 14 Years**

(21) **Appl. No.: 29/179,812**

(22) **Filed: Apr. 16, 2003**

Related U.S. Application Data

(62) Division of application No. 29/149,713, filed on Oct. 16, 2001.

(51) **LOC (7) Cl.** **21-02**

(52) **U.S. Cl.** **D21/761; D21/771; D21/779**

(58) **Field of Search** **D21/760-765, D21/771, 779; 280/841, 11.12, 11.19, 11.201-11.233, 11.24, 11.25; 301/5.302, 5.308**

(56) **References Cited**

U.S. PATENT DOCUMENTS

1,489,197 A * 4/1924 Daverkosen et al. 280/11.19
3,693,988 A 9/1972 Steinhiser

4,618,158 A 10/1986 Liberkowski
5,411,320 A * 5/1995 Alderman et al. 301/5.302
D373,807 S * 9/1996 Swande D21/761
5,560,625 A 10/1996 Kuykendall
5,901,970 A 5/1999 Henshaw
D417,713 S * 12/1999 Priester D21/761
6,019,378 A 2/2000 Cushing

* cited by examiner

Primary Examiner—Raphael Barkai

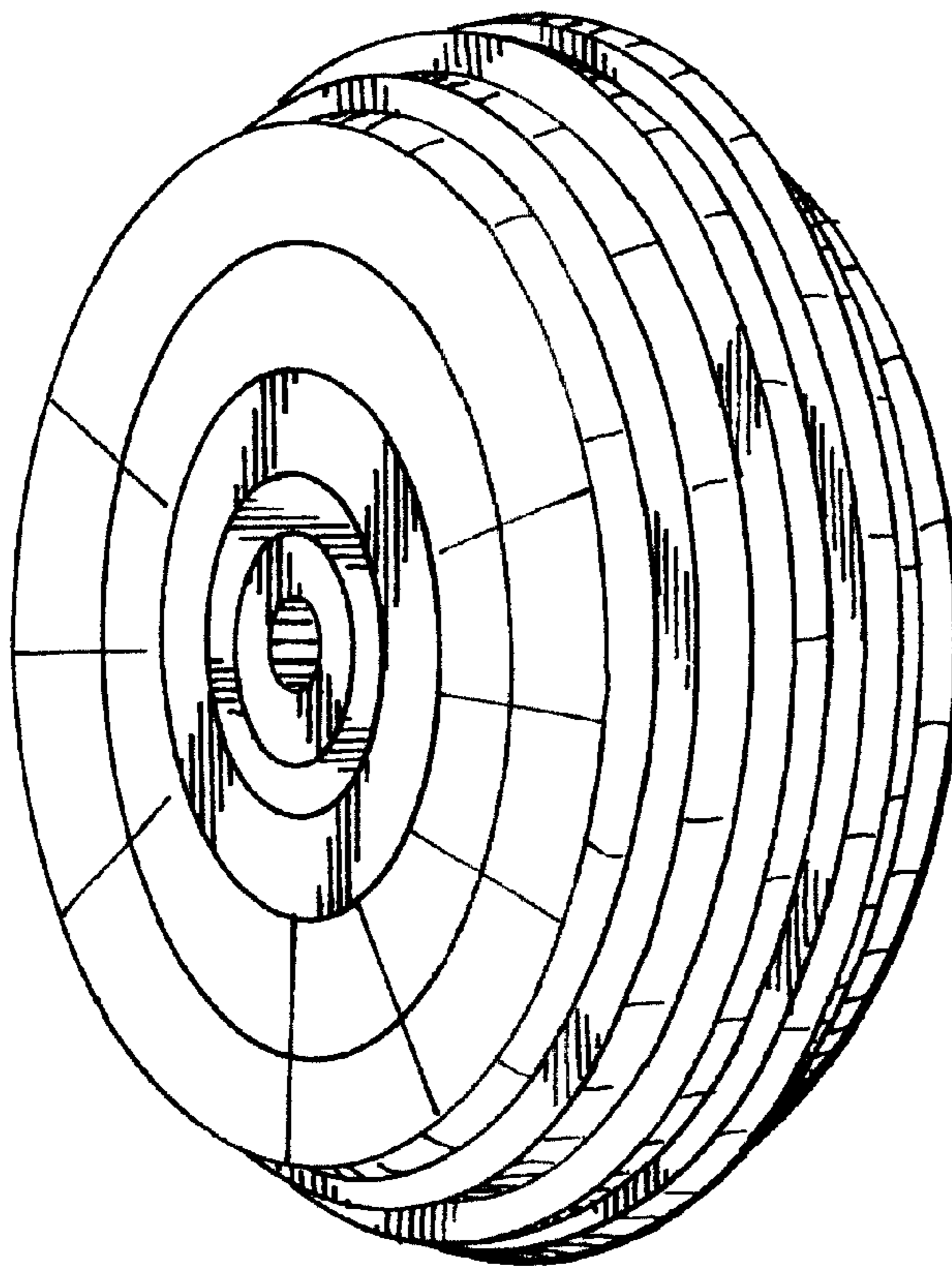
(57) **CLAIM**

The ornamental design of the combined annular ice skate blade and hub, as shown and described.

DESCRIPTION

FIG. 1 is a perspective view of a combined annular ice skate blade and hub of my new design;
FIG. 2 is a front elevational view thereof;
FIG. 3 is a rear elevational view thereof;
FIG. 4 is a top plan view thereof, the bottom plan view and end elevational view are identical to FIG. 4;
FIG. 5 is a sectional view taken along line 5—5 of FIG. 2; and,
FIG. 6 is an enlarged sectional view of an outer portion of the combined blade and hub of FIG. 5.

1 Claim, 2 Drawing Sheets



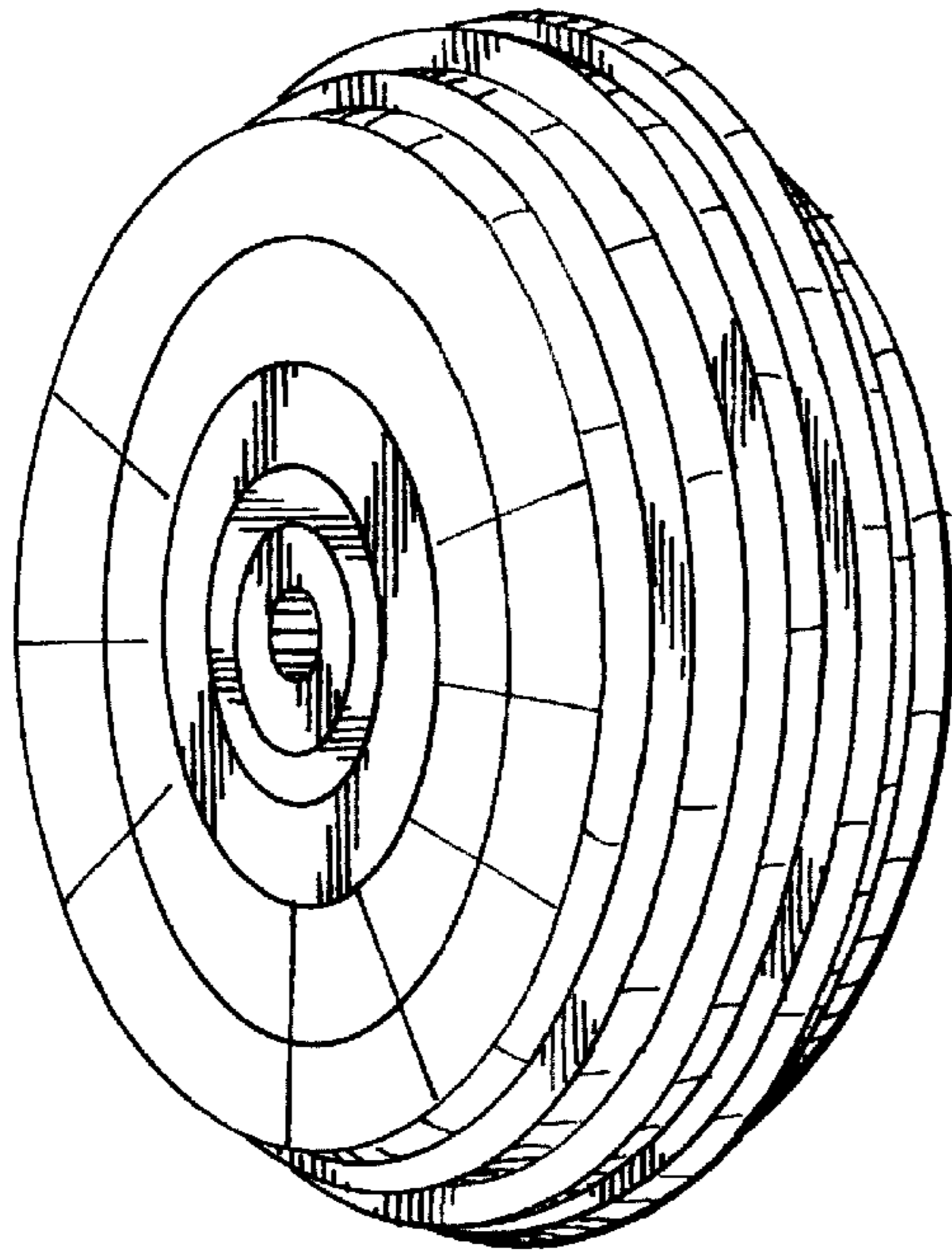


FIG. 1

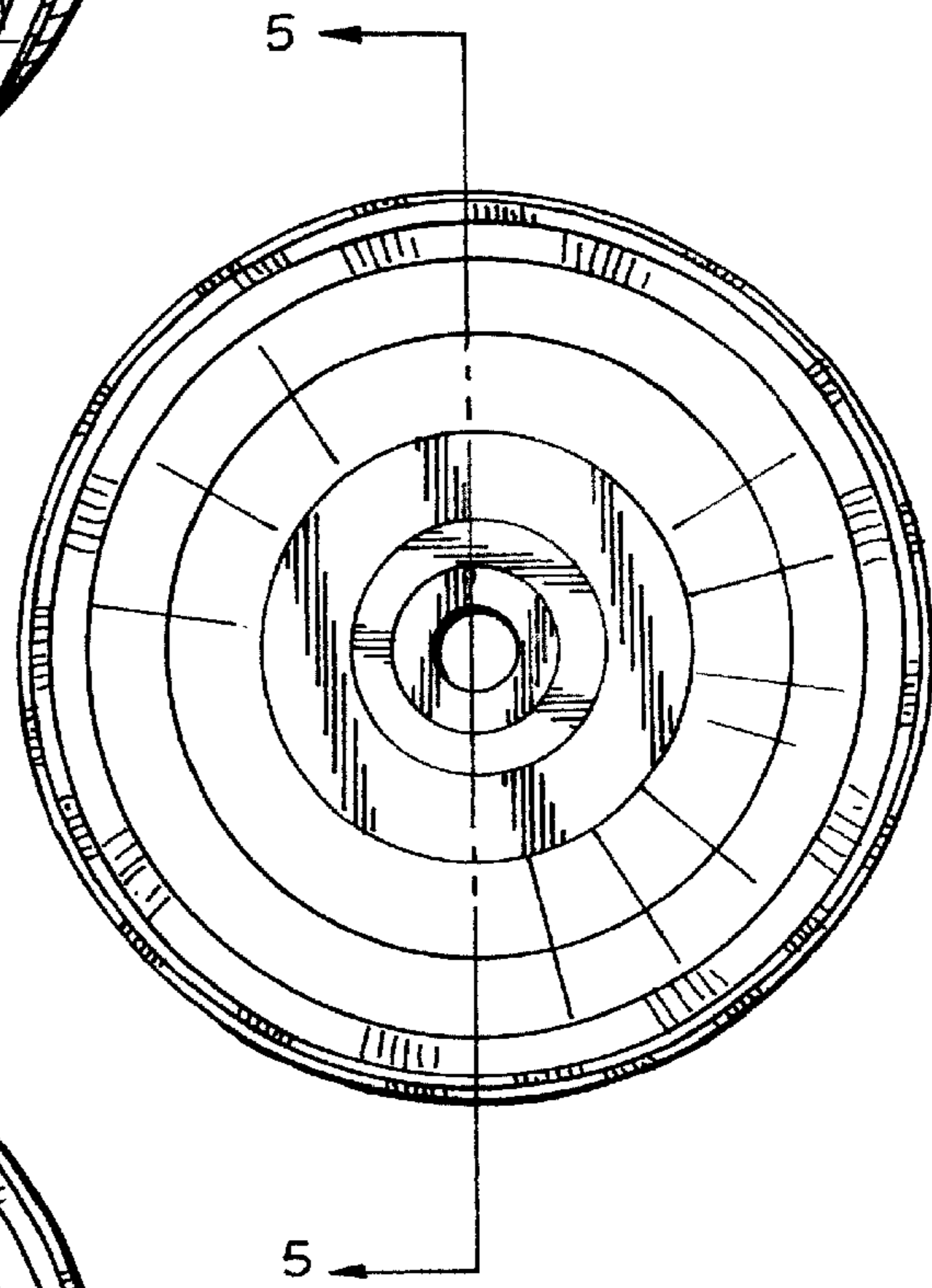


FIG. 2

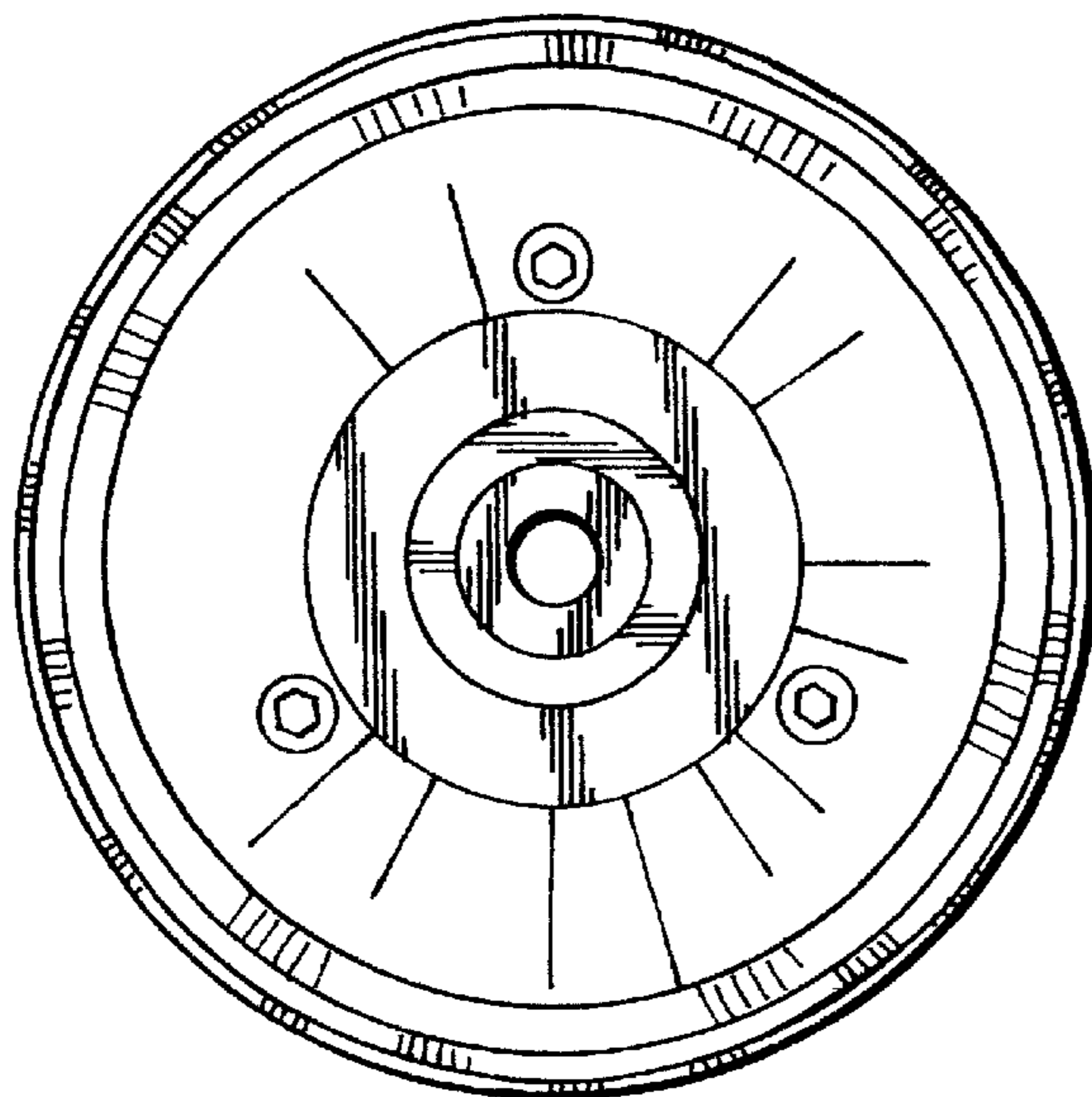


FIG. 3

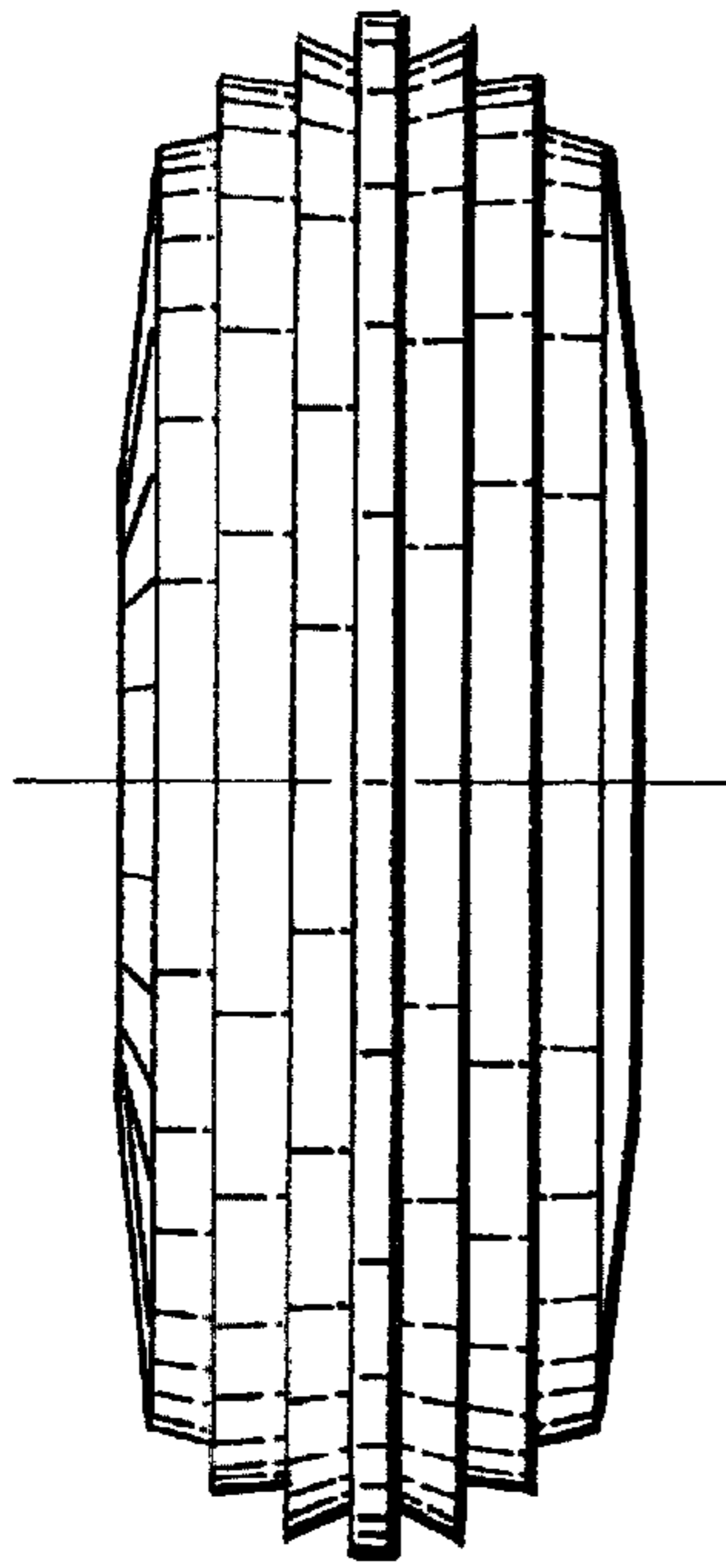


FIG. 4

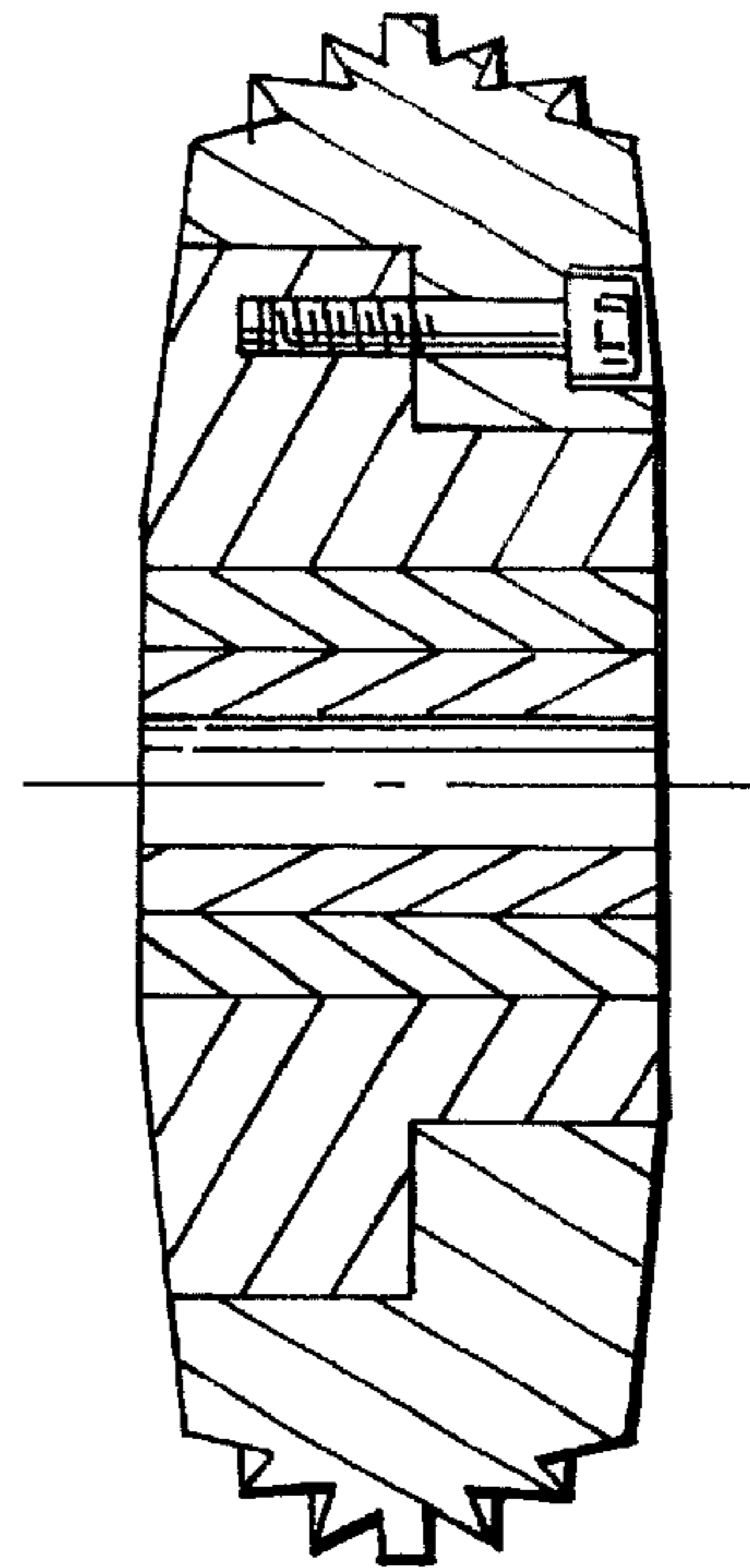


FIG. 5

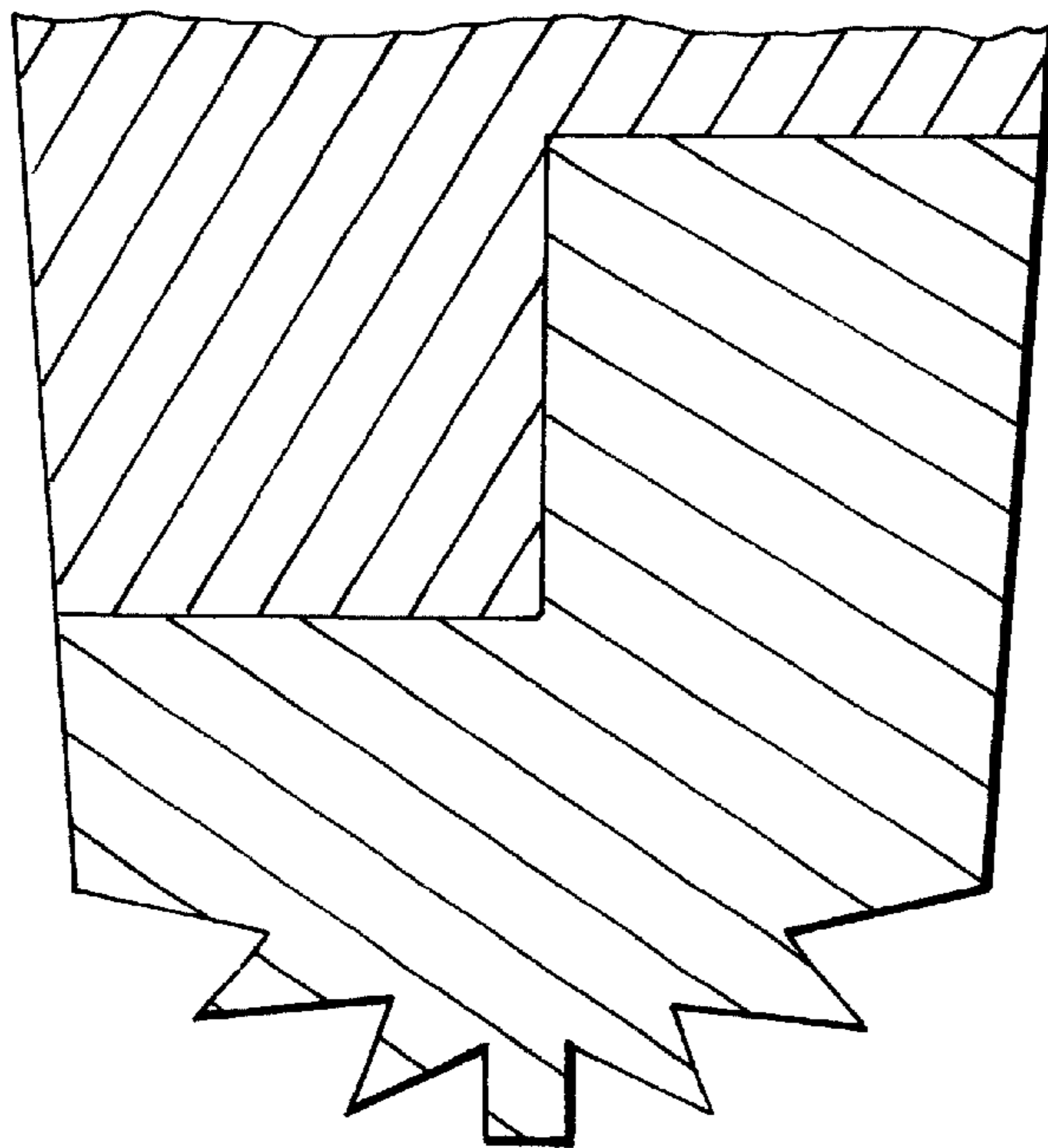


FIG. 6