



US00D489104S

(12) **United States Design Patent**
Verona

(10) **Patent No.:** **US D489,104 S**

(45) **Date of Patent:** **** Apr. 27, 2004**

(54) **POOL STICK TIP**

(76) **Inventor:** **Steven N. Verona**, 6206 Olde Orchard Dr., Columbus, OH (US) 43213

(**) **Term:** **14 Years**

(21) **Appl. No.:** **29/179,162**

(22) **Filed:** **Apr. 4, 2003**

(51) **LOC (7) Cl.** **21-02**

(52) **U.S. Cl.** **D21/726**

(58) **Field of Search** D21/726; 473/44,
473/49, 50, 51, 36, 37

(56) **References Cited**

U.S. PATENT DOCUMENTS

1,018,744	A	*	2/1912	Dethloff	473/49
1,311,707	A	*	7/1919	Palladino	473/49
5,016,877	A	*	5/1991	Lowery	473/51
5,462,490	A	*	10/1995	Donwen	473/49
D370,515	S	*	6/1996	Wolff	D21/726
6,616,540	B2	*	9/2003	Slacum	473/36

* cited by examiner

Primary Examiner—Mitchell Siegel
(74) *Attorney, Agent, or Firm*—Jason H. Foster; Kremblas, Foster, Phillips & Pollick

(57) **CLAIM**

The ornamental design for a pool stick tip, as shown and described.

DESCRIPTION

FIG. 1 is a front perspective view of a pool stick tip showing my new design.

FIG. 2 is a bottom perspective view thereof.

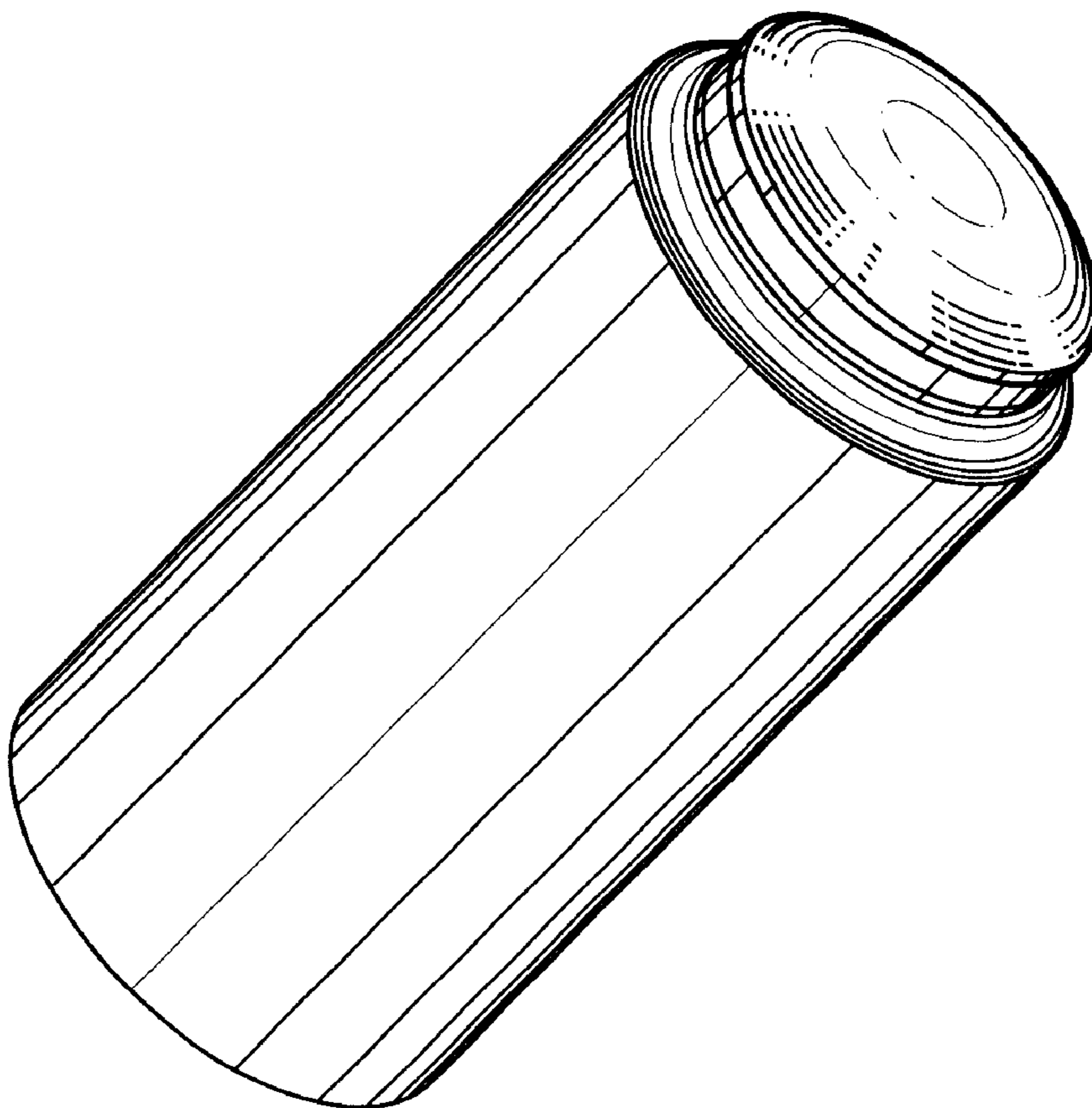
FIG. 3 is a side view thereof.

FIG. 4 is a top view thereof.

FIG. 5 is a bottom view thereof; and,

FIG. 6 is a rear perspective view thereof, the broken lines are shown for illustrative purposes only and forms no part of the claimed design.

1 Claim, 1 Drawing Sheet



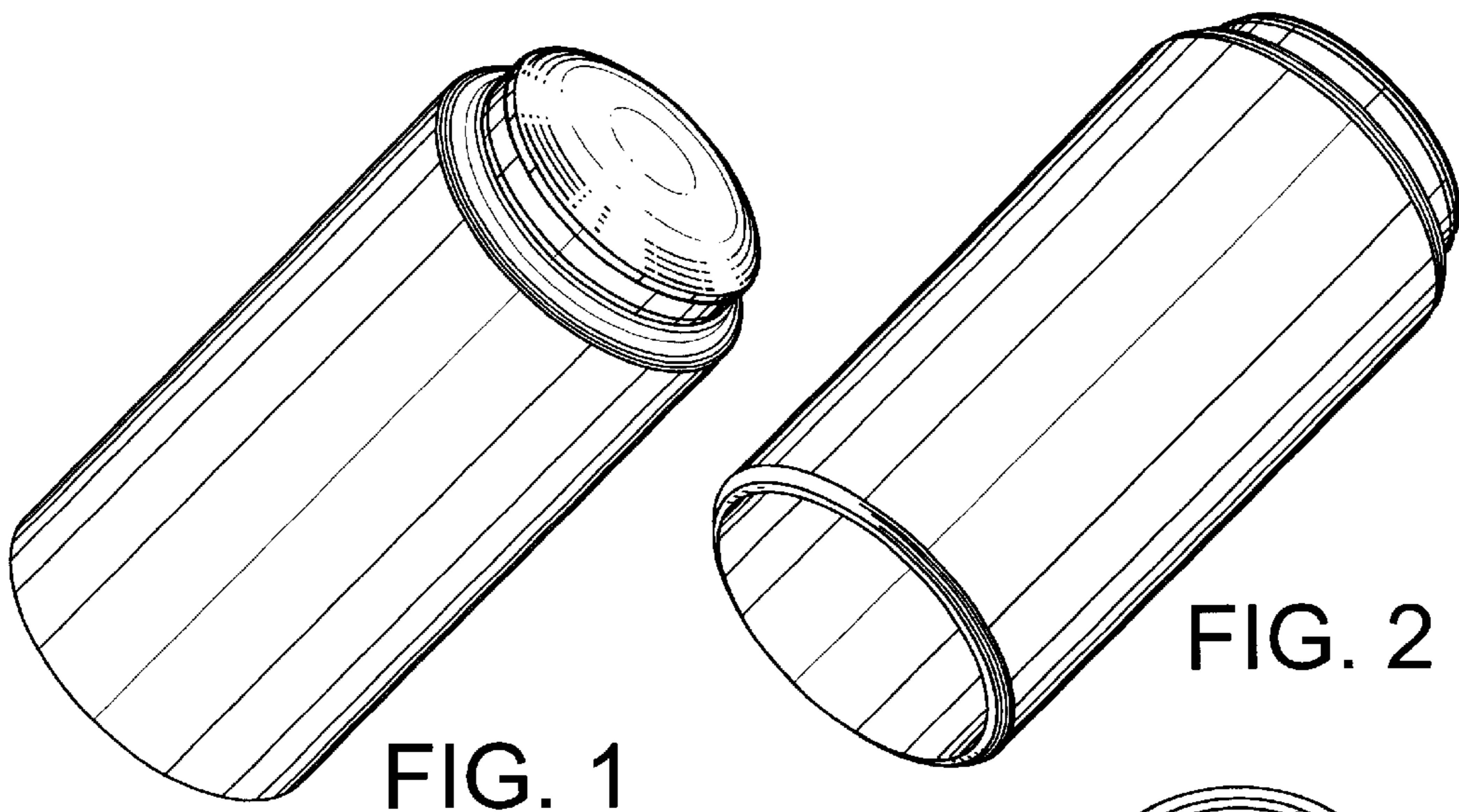


FIG. 1

FIG. 2

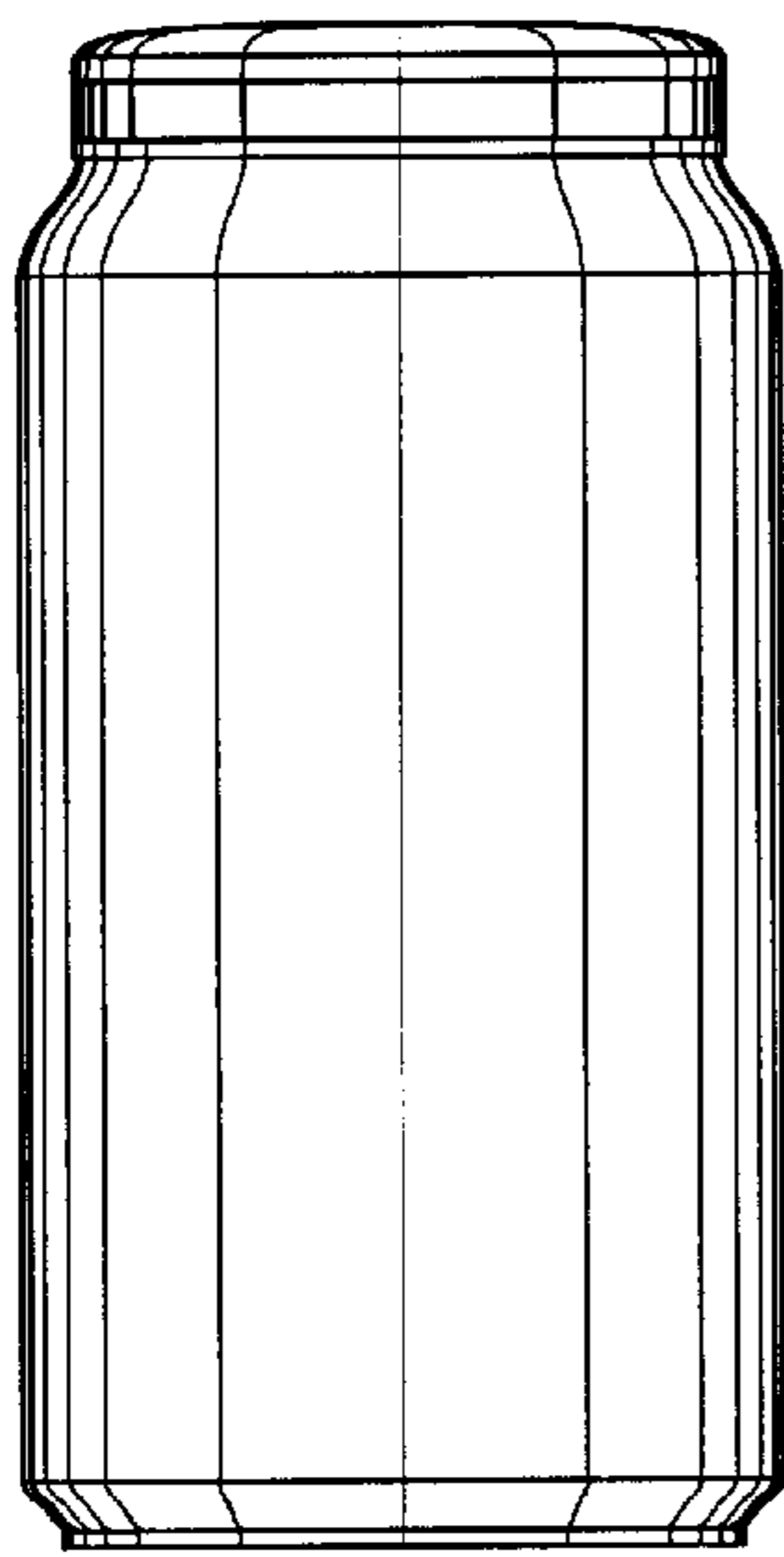


FIG. 3

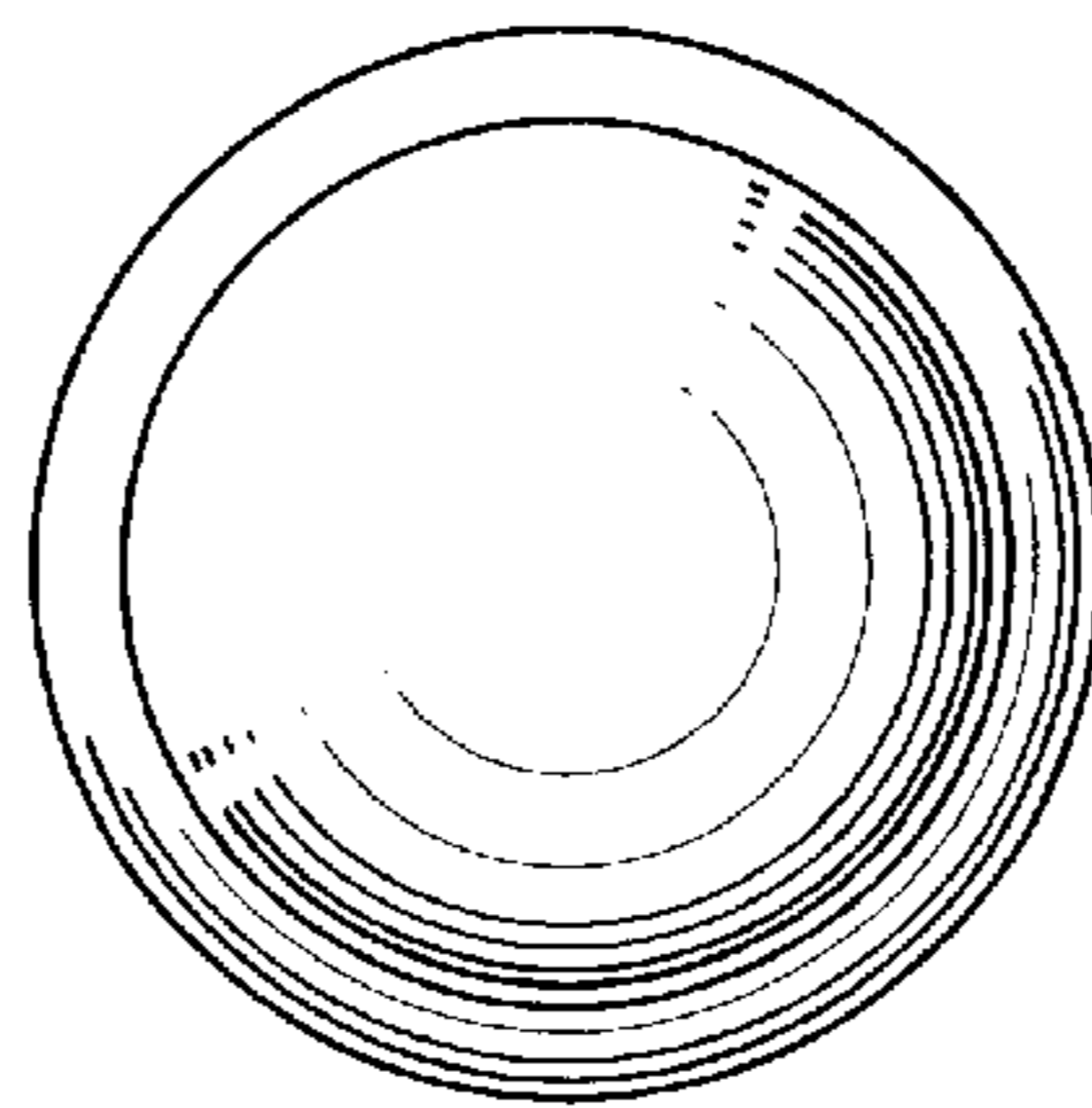


FIG. 4

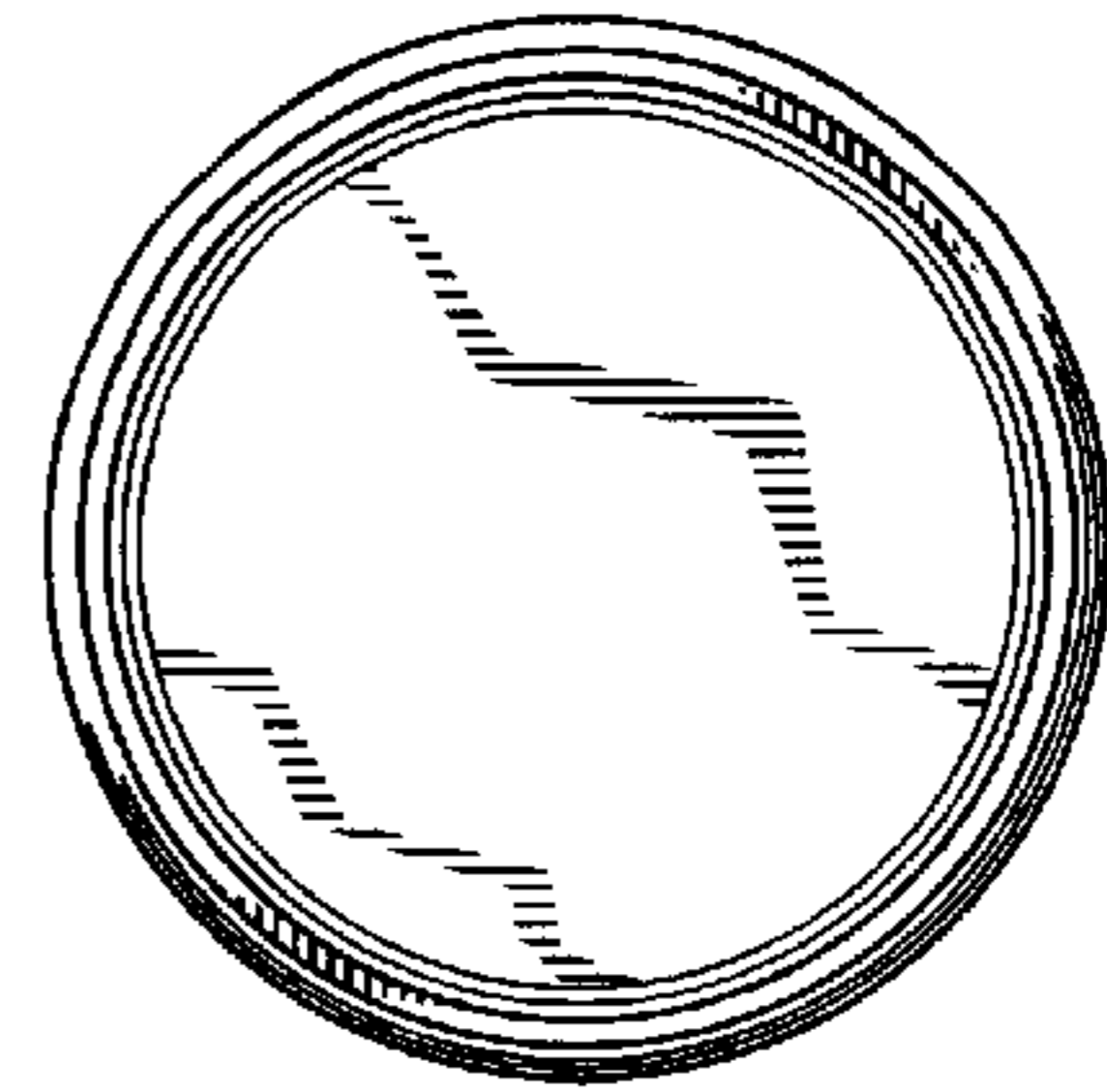


FIG. 5

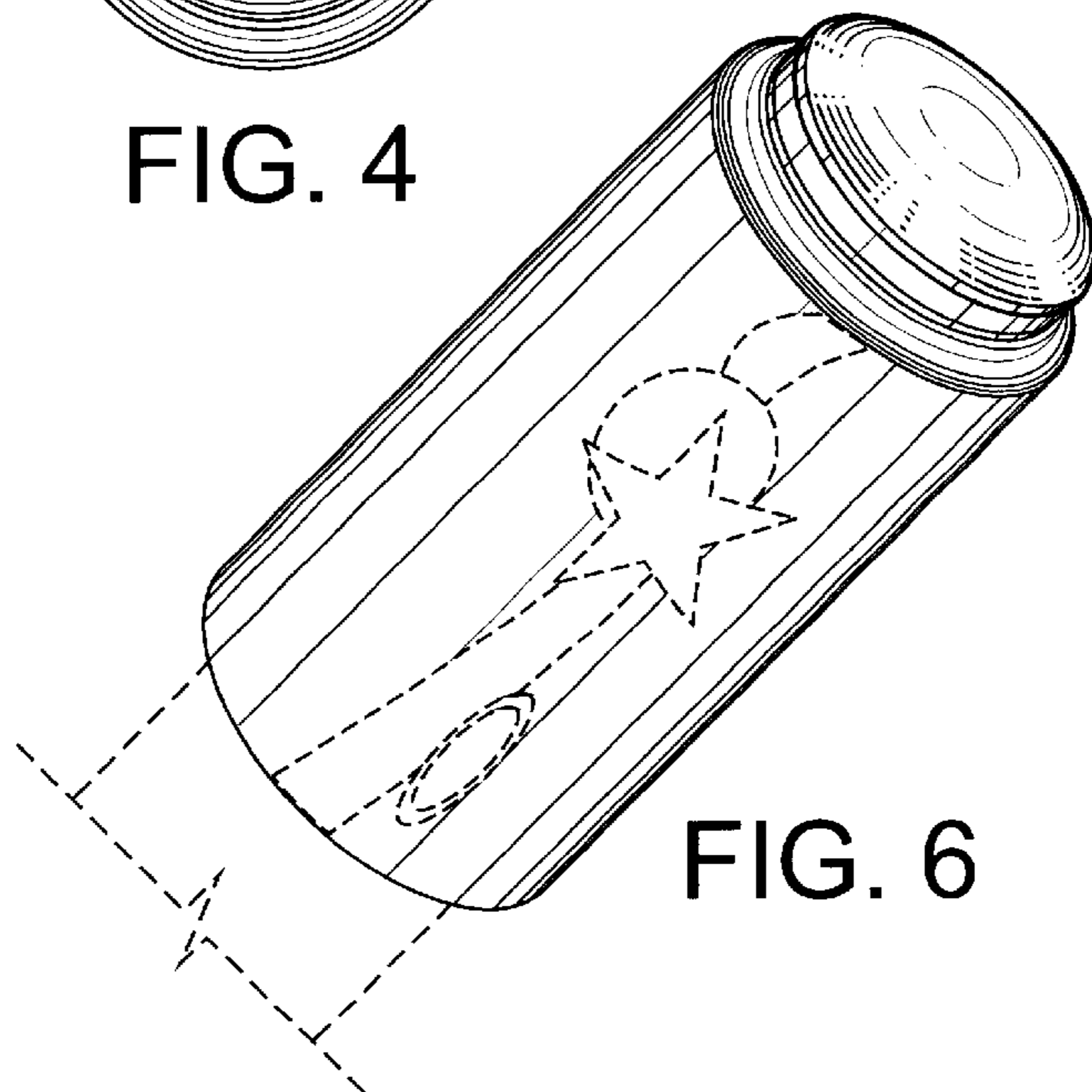


FIG. 6