



US00D489101S

(12) **United States Design Patent**
Giannelli et al.

(10) **Patent No.:** **US D489,101 S**

(45) **Date of Patent:** **** Apr. 27, 2004**

(54) **EXERCISE DEVICE FOR CROSS TRAINING**

(75) Inventors: **Raymond Giannelli**, Franklin, MA
(US); **Scott Lee**, Pomfret, CT (US)

(73) Assignee: **Cybex International, Inc.**, Medway,
MA (US)

(**) Term: **14 Years**

(21) Appl. No.: **29/164,348**

(22) Filed: **Jul. 23, 2002**

(51) **LOC (7) Cl.** **21-02**

(52) **U.S. Cl.** **D21/668**

(58) **Field of Search** D21/662, 663,
D21/667, 668, 669, 670; 482/51, 52, 57,
70, 72

6,024,676 A	2/2000	Eschenbach	482/51
6,027,430 A	2/2000	Stearns et al.	482/51
6,036,622 A	3/2000	Gordon	482/51
6,042,512 A	3/2000	Eschenbach	482/52
6,045,487 A	4/2000	Miller	482/52
6,045,488 A	4/2000	Eschenbach	482/51
6,053,847 A	4/2000	Stearns et al.	482/51
6,077,196 A	6/2000	Eschenbach	482/51
6,077,198 A	6/2000	Eschenbach	482/52
6,090,013 A	7/2000	Eschenbach	482/52
6,090,014 A	7/2000	Eschenbach	482/52
D429,781 S	8/2000	Arnold et al.	D21/668
6,126,573 A	10/2000	Eschenbach	482/51
6,135,926 A	10/2000	Lee	482/57
6,142,915 A	11/2000	Eschenbach	482/57
6,168,552 B1	1/2001	Eschenbach	482/52
6,210,305 B1	4/2001	Eschenbach	482/52
6,217,485 B1	4/2001	Maresh	482/52
6,248,044 B1	6/2001	Stearns et al.	482/52
D449,356 S	* 10/2001	Arnold et al.	D21/668
D450,101 S	11/2001	Hsu	D21/697
6,361,476 B1	3/2002	Eschenbach	482/52

(56) **References Cited**

U.S. PATENT DOCUMENTS

4,861,023 A	8/1989	Wedman	
5,242,343 A	9/1993	Miller	482/57
5,279,529 A	1/1994	Eschenbach	482/57
5,383,829 A	1/1995	Miller	482/57
5,496,235 A	3/1996	Stevens	482/51
5,562,574 A	10/1996	Miller	482/51
5,643,153 A	7/1997	Nylen et al.	482/110
5,685,804 A	11/1997	Whan-Tong et al.	482/51
5,720,698 A	2/1998	Dalebout et al.	482/52
D396,508 S	* 7/1998	Chen	D21/671
5,788,610 A	8/1998	Eschenbach	482/52
5,792,027 A	8/1998	Gvoich	482/51
5,795,268 A	8/1998	Husted	482/51
5,876,307 A	3/1999	Stearns et al.	482/51
5,879,271 A	3/1999	Stearns et al.	482/51
D408,477 S	4/1999	Arnold et al.	D21/668
5,895,339 A	4/1999	Maresh	482/51
D410,978 S	6/1999	Littrell et al.	D21/668
5,910,072 A	6/1999	Rawls et al.	482/51
5,913,751 A	6/1999	Eschenbach	482/57
5,916,064 A	6/1999	Eschenbach	482/51
5,921,894 A	7/1999	Eschenbach	482/57
5,957,814 A	9/1999	Eschenbach	482/51
5,993,359 A	11/1999	Eschenbach	482/57
6,004,244 A	12/1999	Simonson	482/52

FOREIGN PATENT DOCUMENTS

DE	229712	10/1923
FR	498.150	12/1919
WO	WO 95/00209	1/1995
WO	WO 96/08292	3/1996

* cited by examiner

Primary Examiner—Philip S. Hyder

(74) *Attorney, Agent, or Firm*—Kudirka & Jobse, LLP

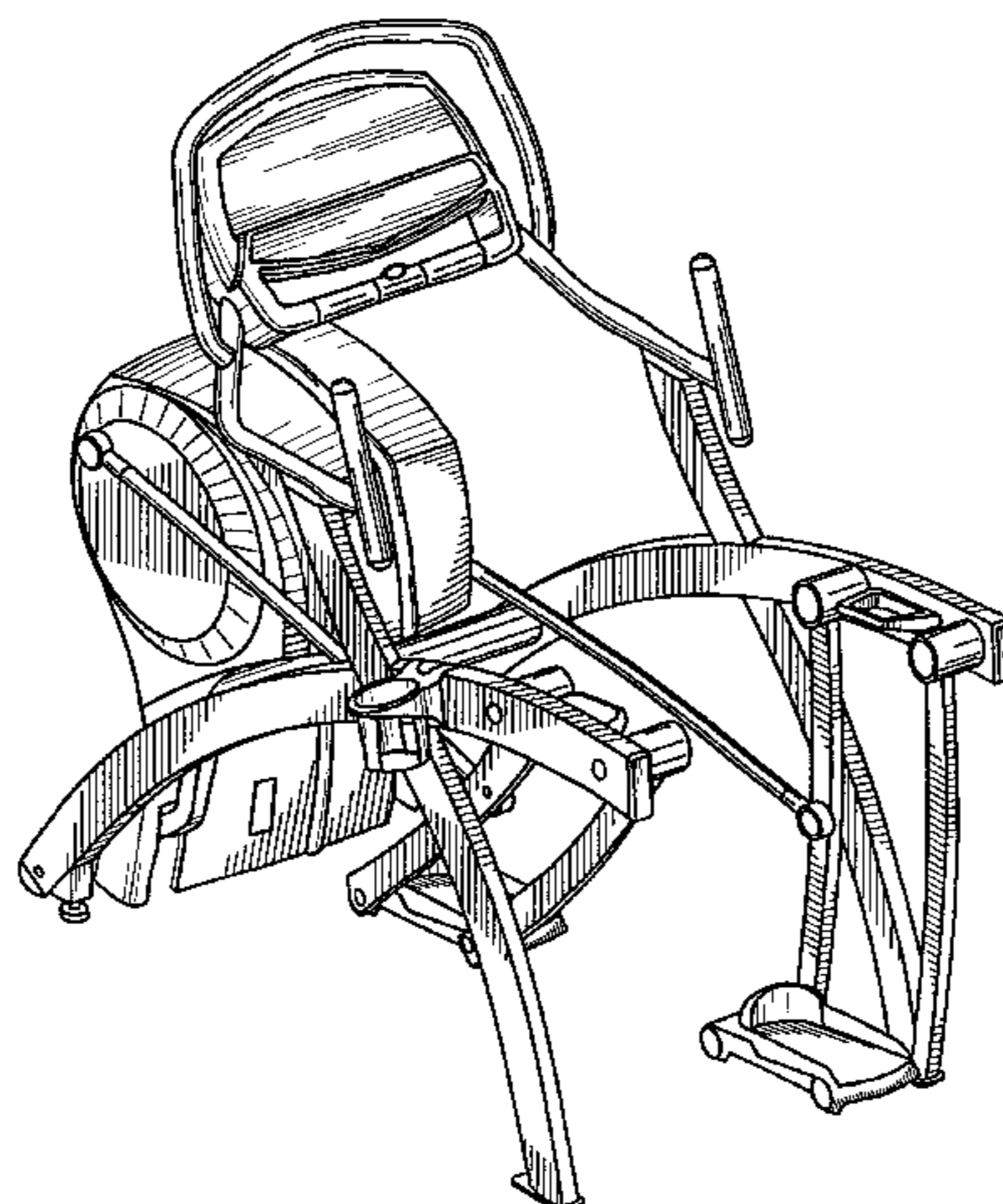
(57) **CLAIM**

The ornamental design for an exercise device for cross training, as shown.

DESCRIPTION

FIG. 1 is a rear perspective view of an exercise device for cross training;
FIG. 2 is a front perspective view thereof;
FIG. 3 is a top rear perspective view thereof;
FIG. 4 is a front perspective view thereof;
FIG. 5 is a left side view thereof; and,
FIG. 6 is a top view thereof.

1 Claim, 6 Drawing Sheets



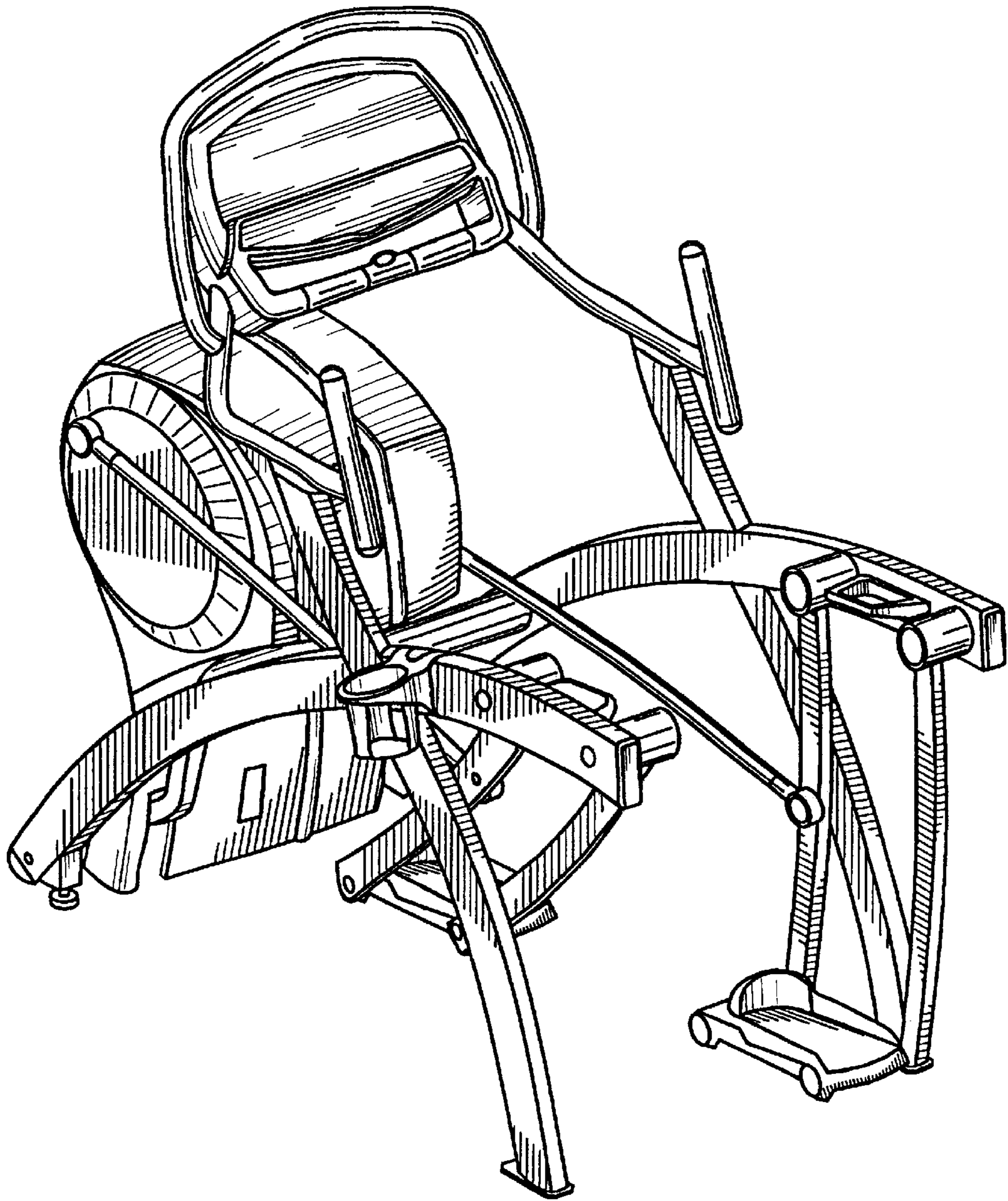


Fig. 1

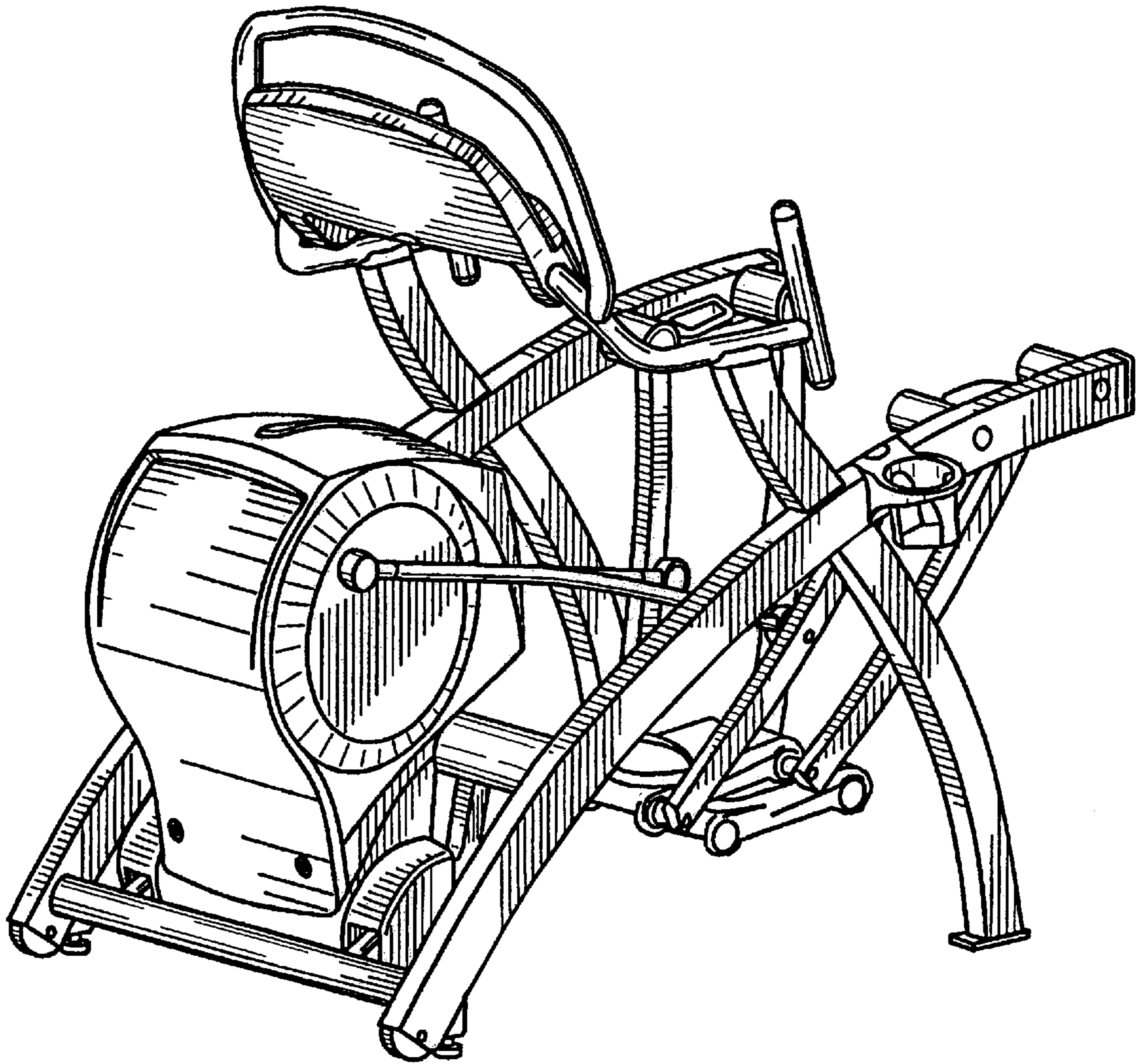


Fig. 2

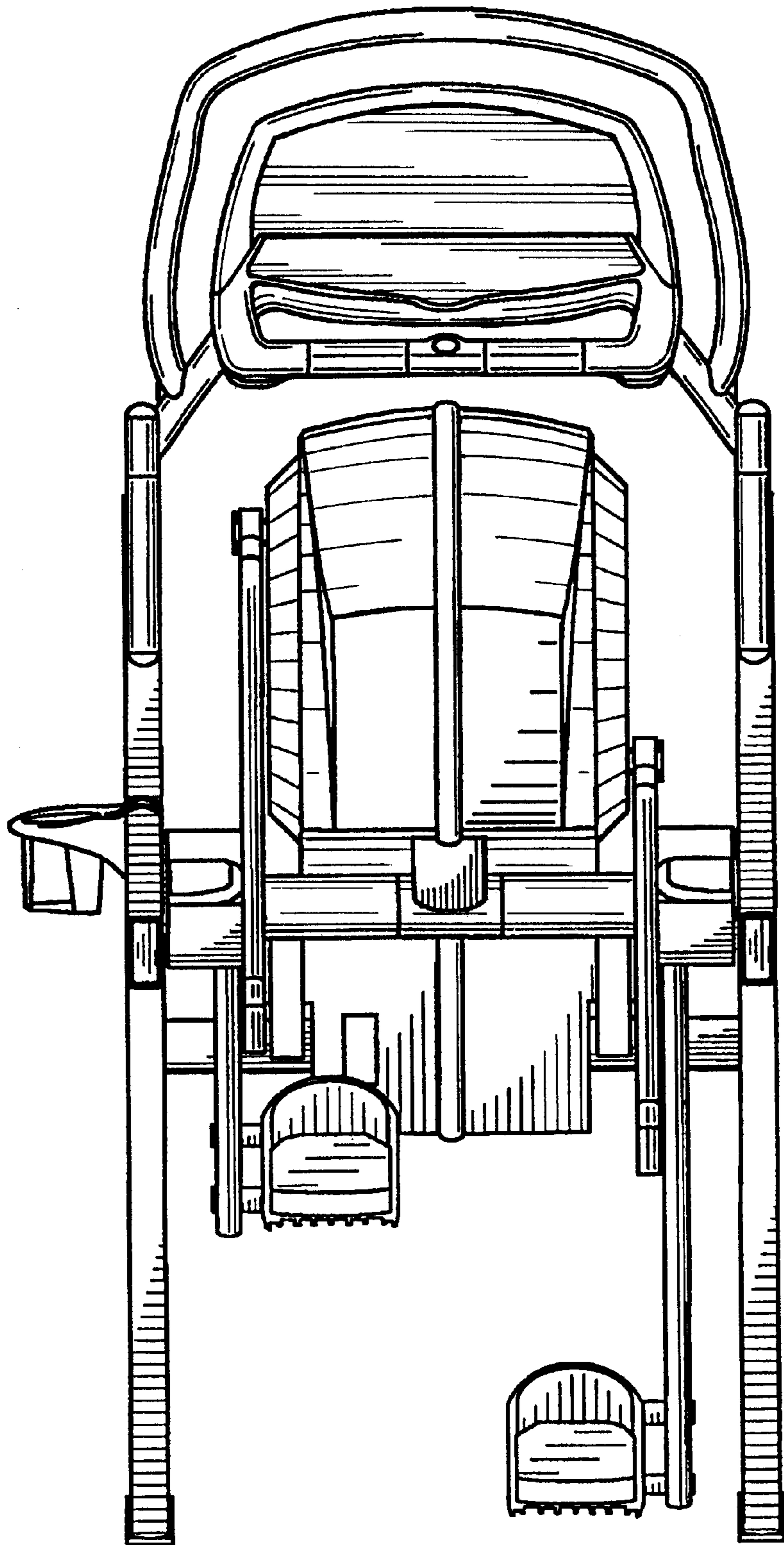


Fig. 3

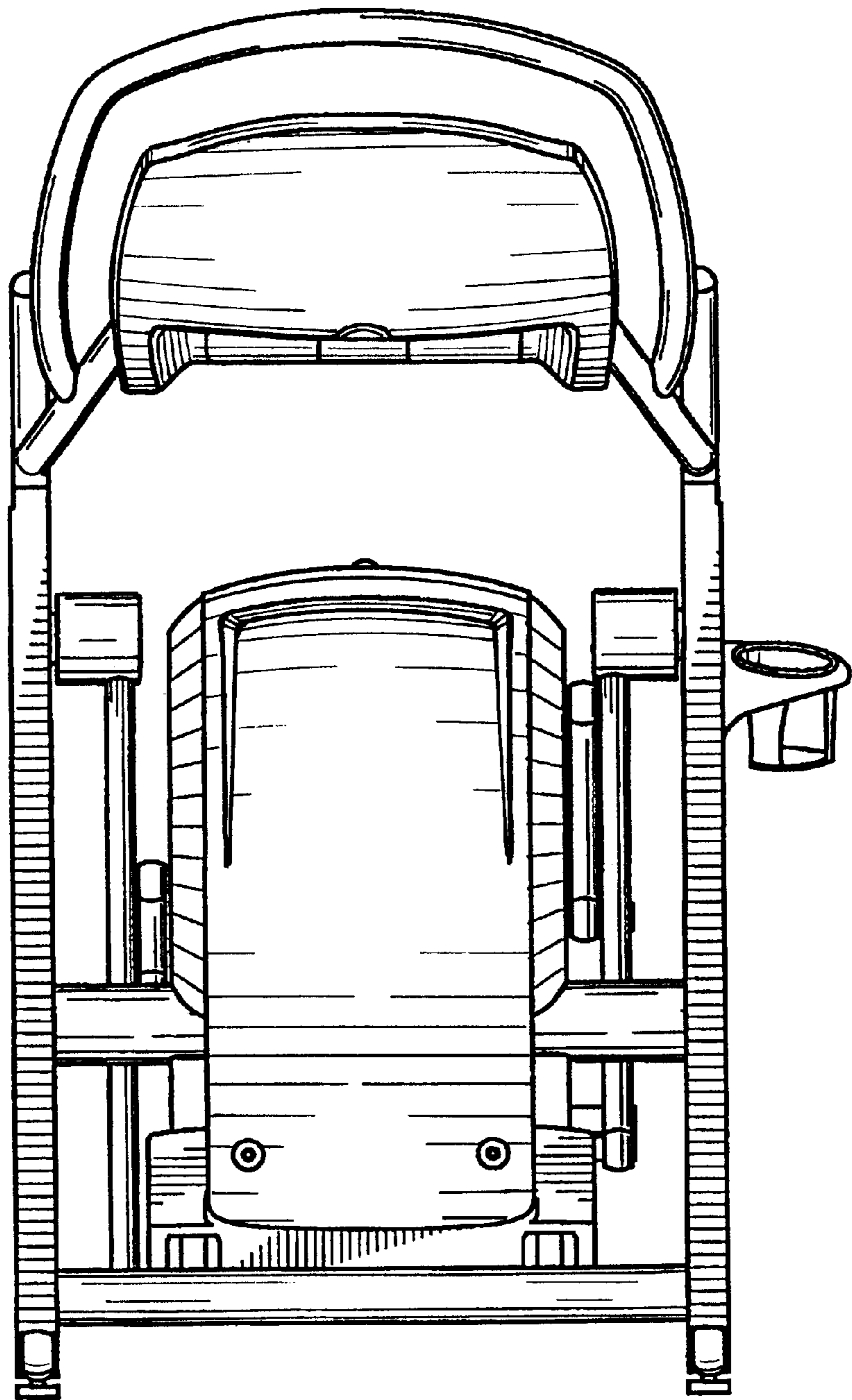


Fig. 4

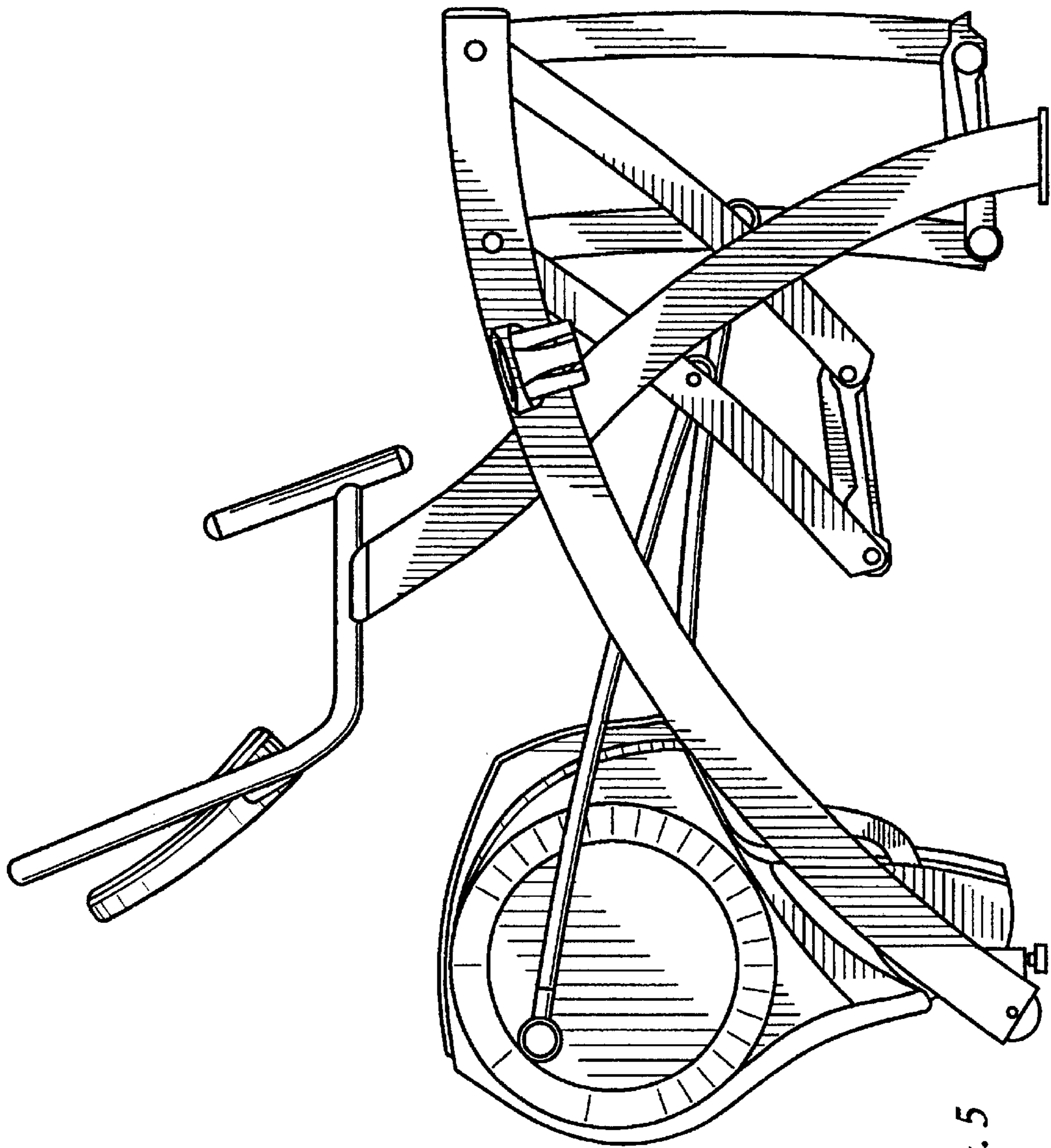


Fig. 5

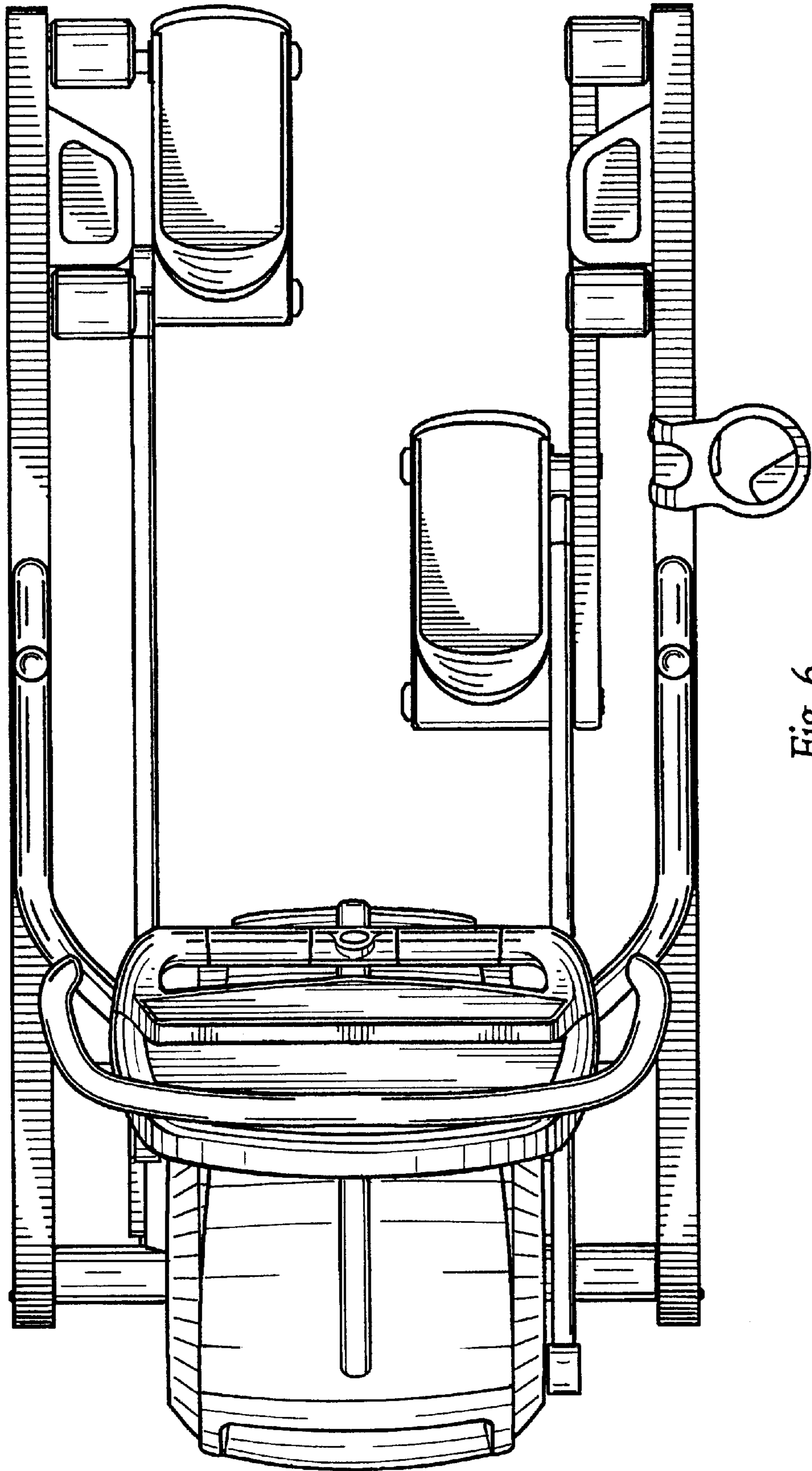


Fig. 6