



US00D489098S

(12) **United States Design Patent**  
**Byrd**

(10) **Patent No.:** **US D489,098 S**

(45) **Date of Patent:** **\*\* Apr. 27, 2004**

(54) **MINIATURE SPACE WEAPONS**

D454,166 S \* 3/2002 Hornsby et al. .... D21/574  
D463,509 S \* 9/2002 Huang ..... D23/223

(76) Inventor: **William Jeffrey Byrd**, 7915 Severn  
Tree Blvd., Severn, MD (US) 21144

\* cited by examiner

(\*\*) Term: **14 Years**

*Primary Examiner*—Raphael Barkai  
(74) *Attorney, Agent, or Firm*—Law Offices of Royal W.  
Craig

(21) Appl. No.: **29/182,735**

(22) Filed: **May 30, 2003**

(57) **CLAIM**

**Related U.S. Application Data**

The new, original, and ornamental design for a miniature  
space weapons, as shown in FIGS. 1–7.

(62) Division of application No. 29/166,384, filed on Aug. 27,  
2002, now Pat. No. Des. 477,642.

**DESCRIPTION**

(51) **LOC (7) Cl.** ..... **21-01**

The design of the present invention and as shown in FIGS.  
1–7 is an ornamental, miniature space weapon that is com-  
patible with miniature space action figure toys.

(52) **U.S. Cl.** ..... **D21/574**

(58) **Field of Search** ..... D21/567–575,  
D21/658; D14/428; D23/225–226; D22/103;  
446/473, 475, 406, 267, 180, 219, 430;  
124/16, 22, 27, 73–76, 83–85; 42/54, 7,  
103, 105; 222/78, 79

FIG. 1 is a perspective view of a miniature space weapon  
according to my new design.

FIG. 2 is a top view of the miniature space weapon of FIG.  
1.

FIG. 3 is a rear view of the miniature space weapon of FIGS.  
1–2.

FIG. 4 is a front view of the miniature space weapon of  
FIGS. 1–3.

(56) **References Cited**

**U.S. PATENT DOCUMENTS**

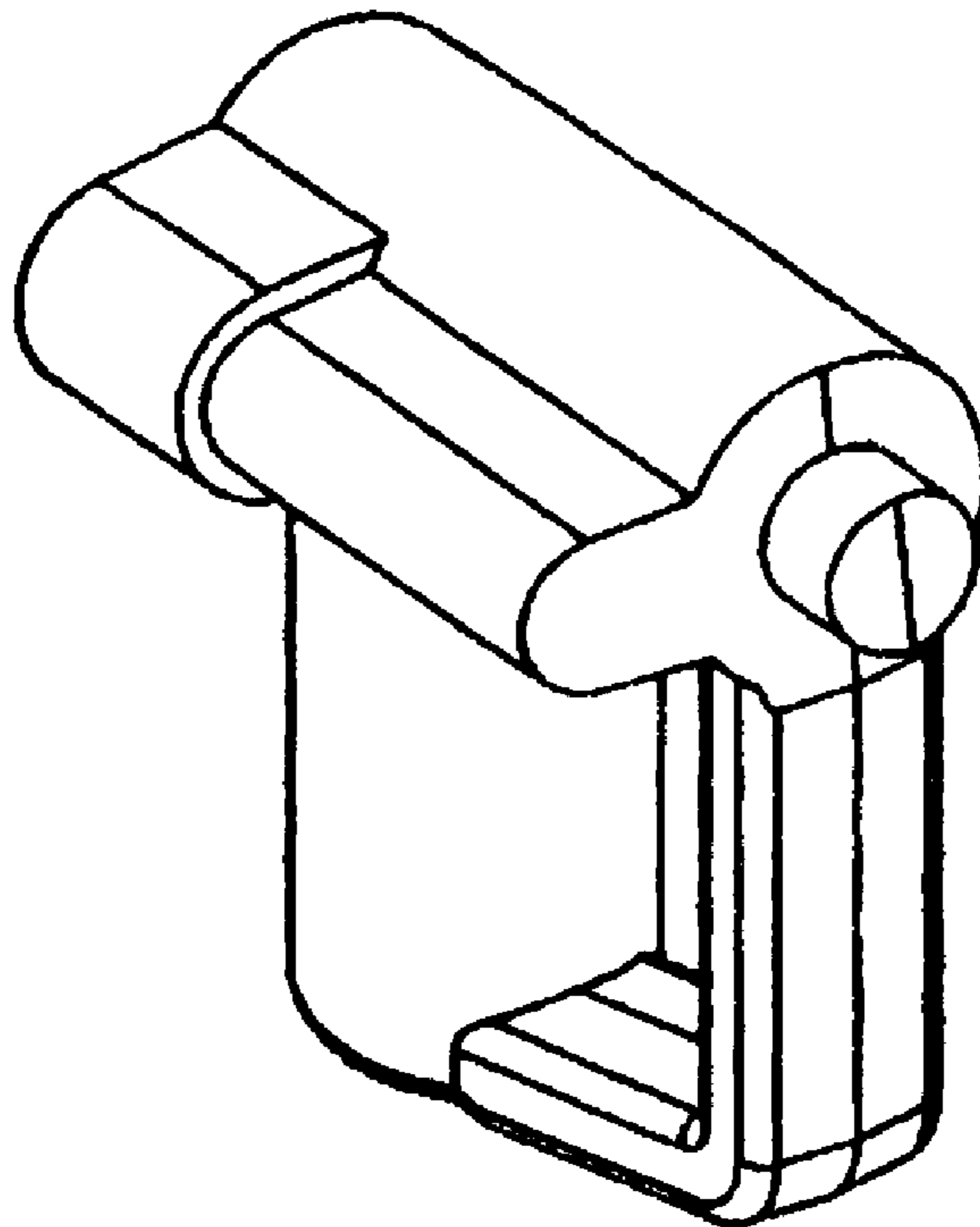
- D163,243 S \* 5/1951 Beckett et al. .... D21/573
- D164,657 S \* 9/1951 Tovell ..... D21/574
- D192,474 S \* 3/1962 Benkoe ..... D21/574
- D282,764 S \* 2/1986 Megargee ..... D21/574
- 5,613,890 A \* 3/1997 DeMars ..... 446/473
- D381,711 S \* 7/1997 Englert ..... D21/572
- D418,177 S \* 12/1999 Lebensfeld et al. .... D21/574

FIG. 5 is a left side view of the miniature space weapon of  
FIGS. 1–4.

FIG. 6 is a right side view of the miniature space weapon of  
FIGS. 1–5; and,

FIG. 7 is a bottom view of the miniature space weapon of  
FIGS. 1–6.

**1 Claim, 2 Drawing Sheets**



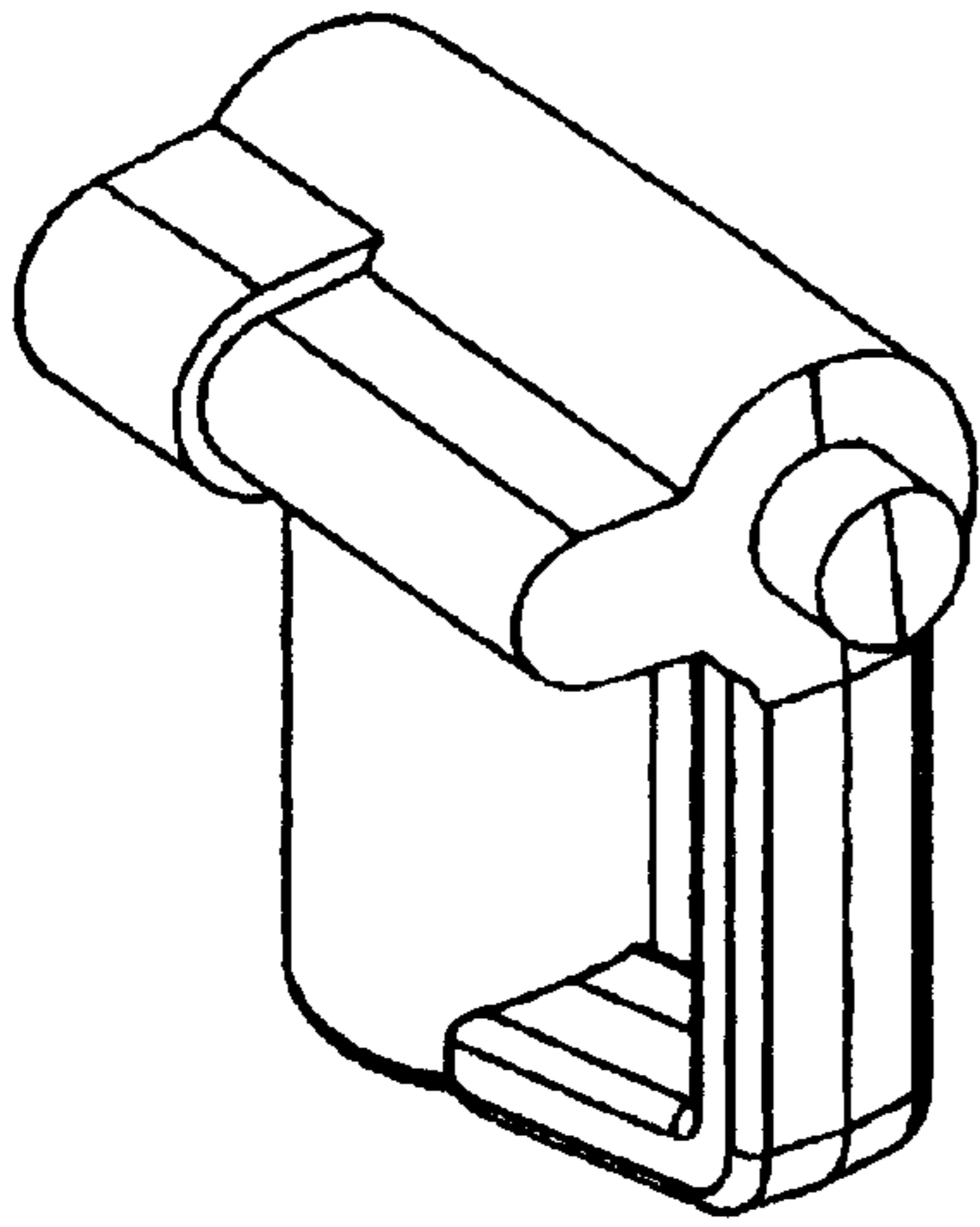


FIG. 1

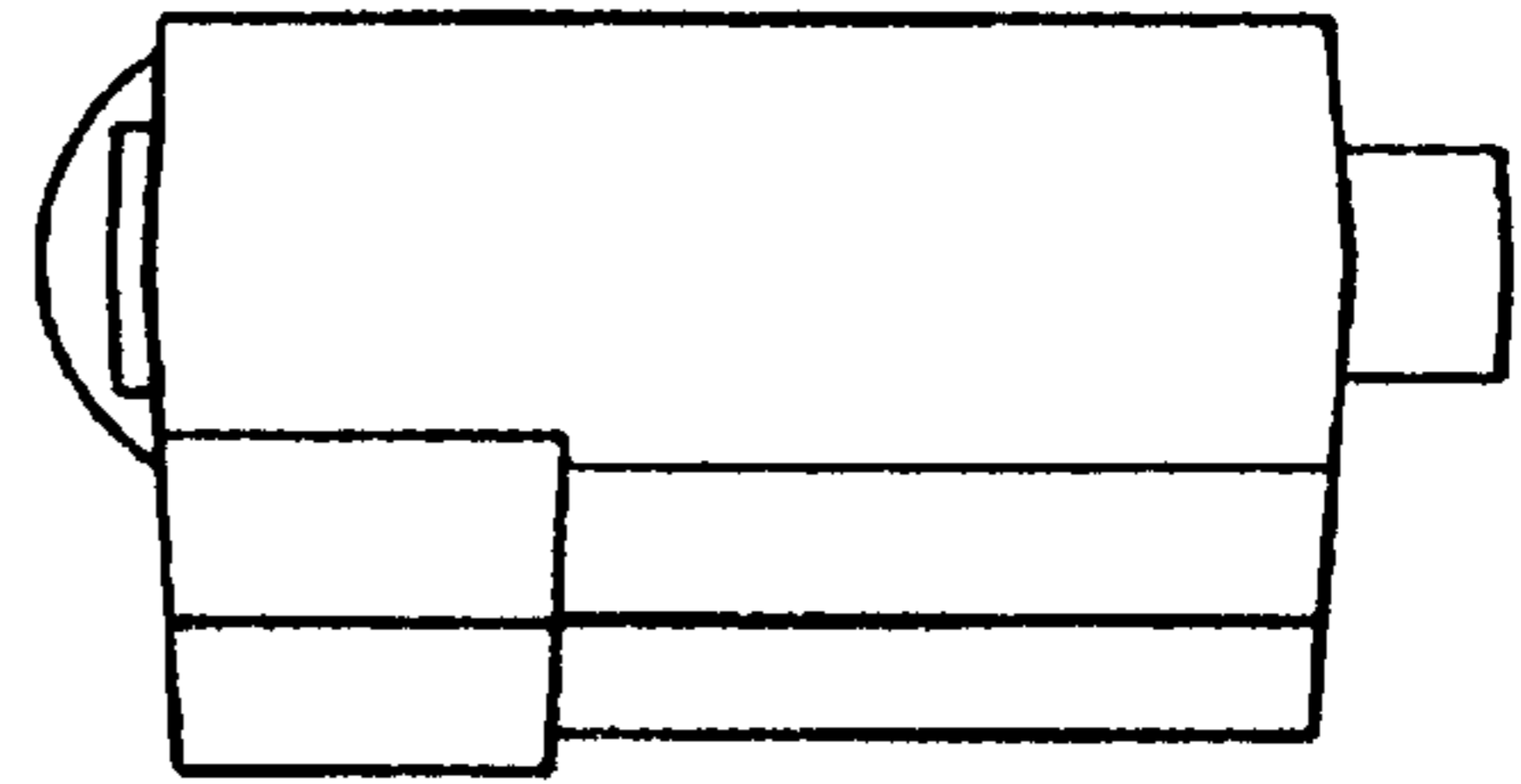


FIG. 2

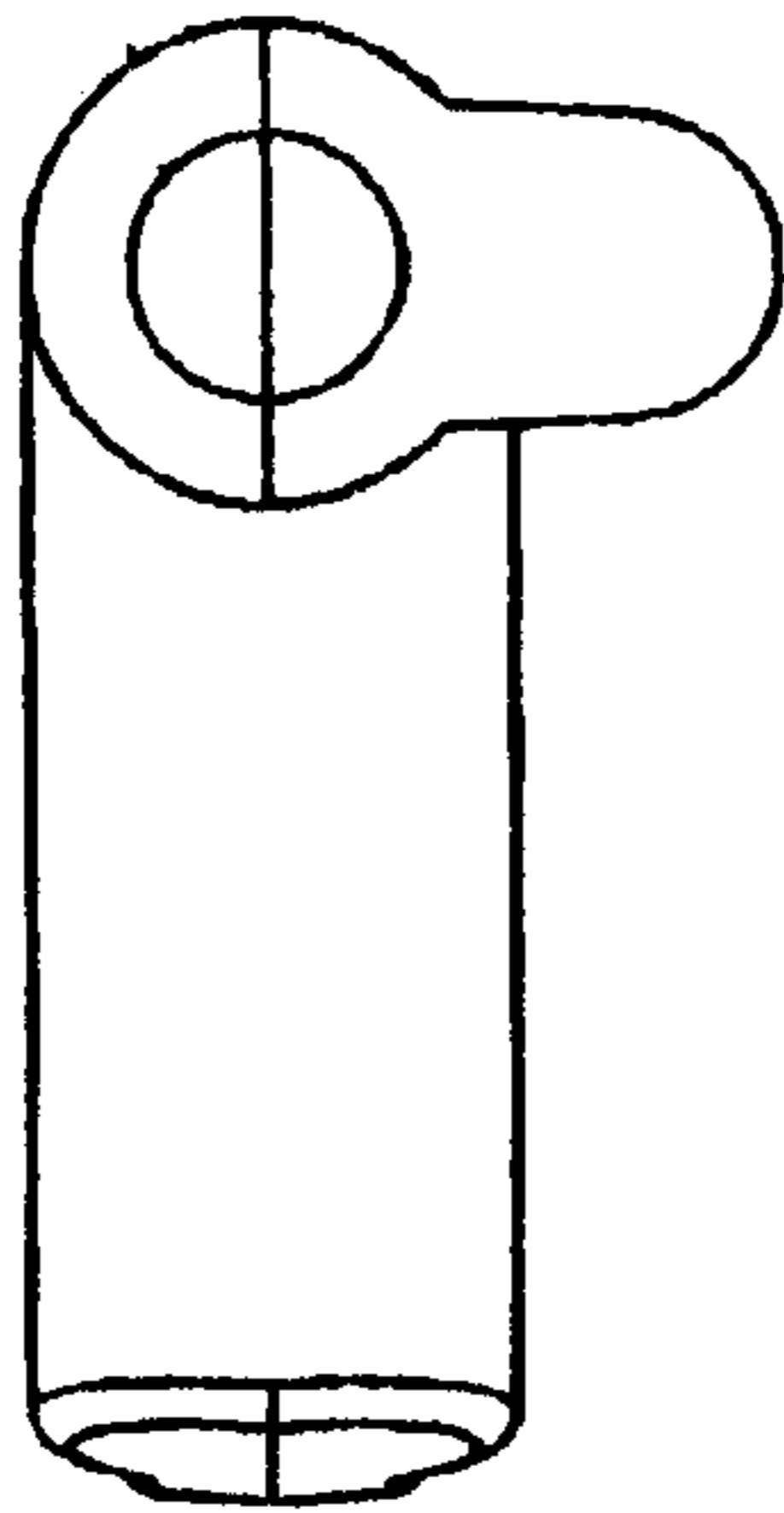


FIG. 3

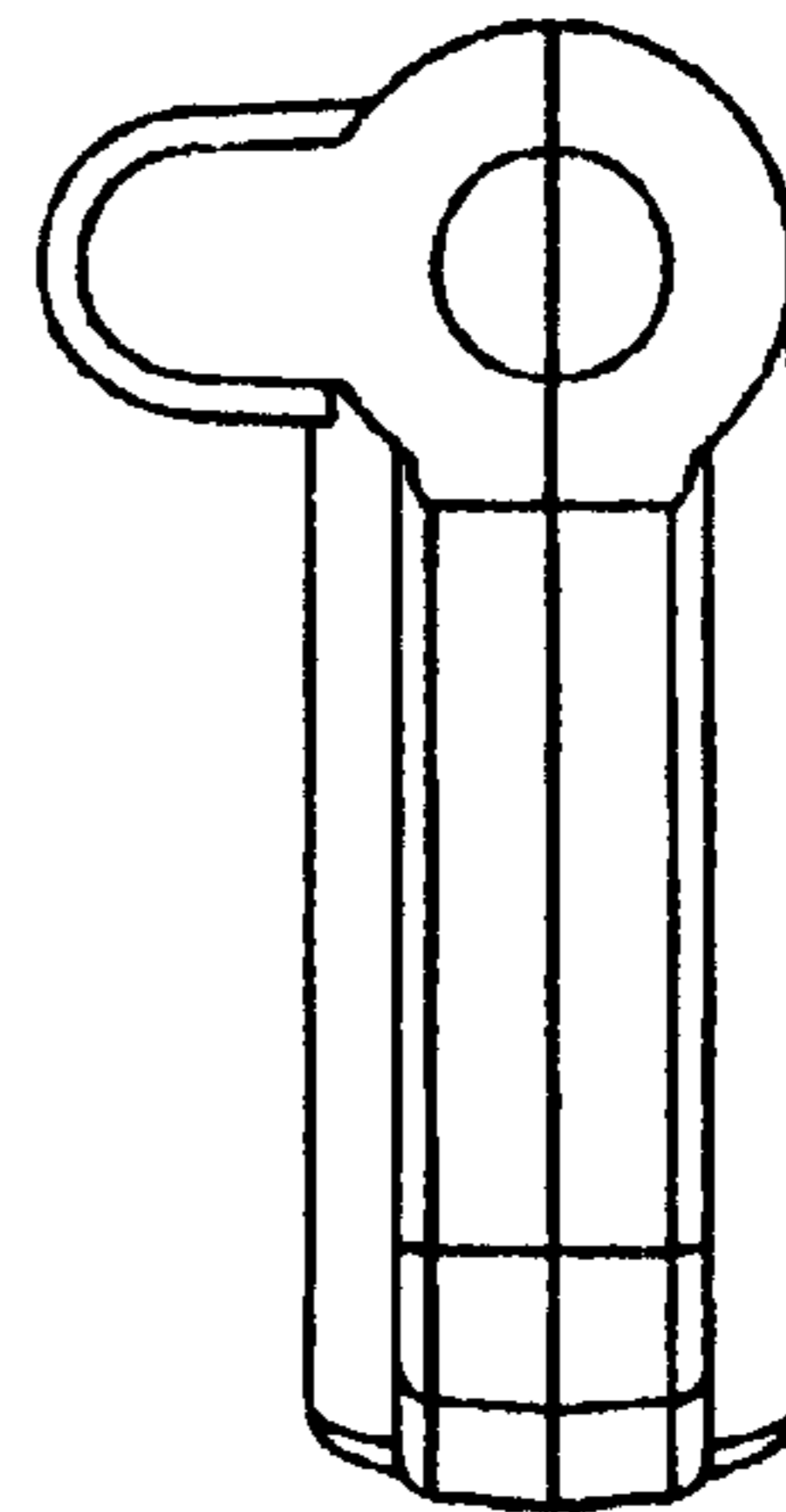


FIG. 4

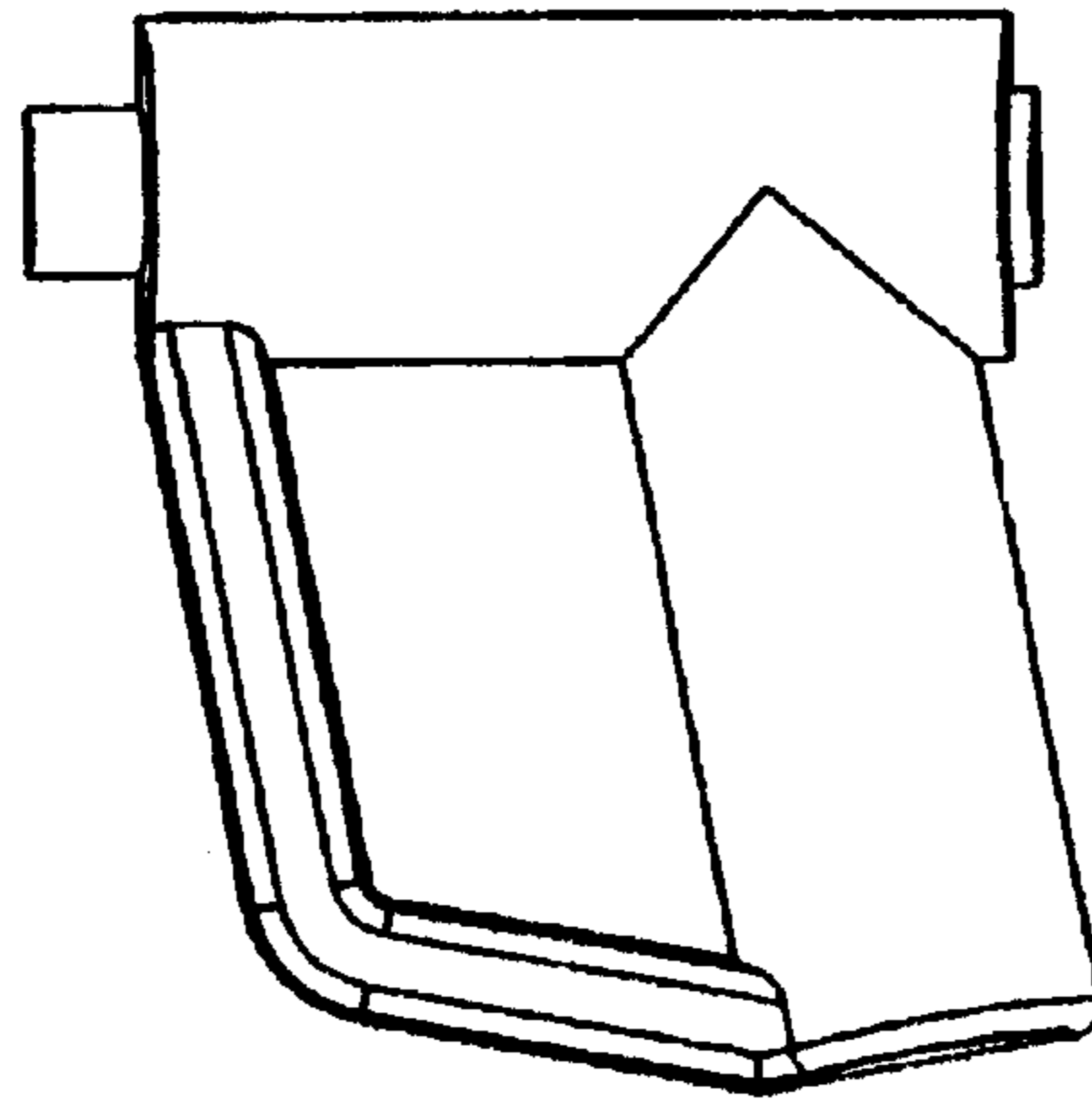


FIG. 5

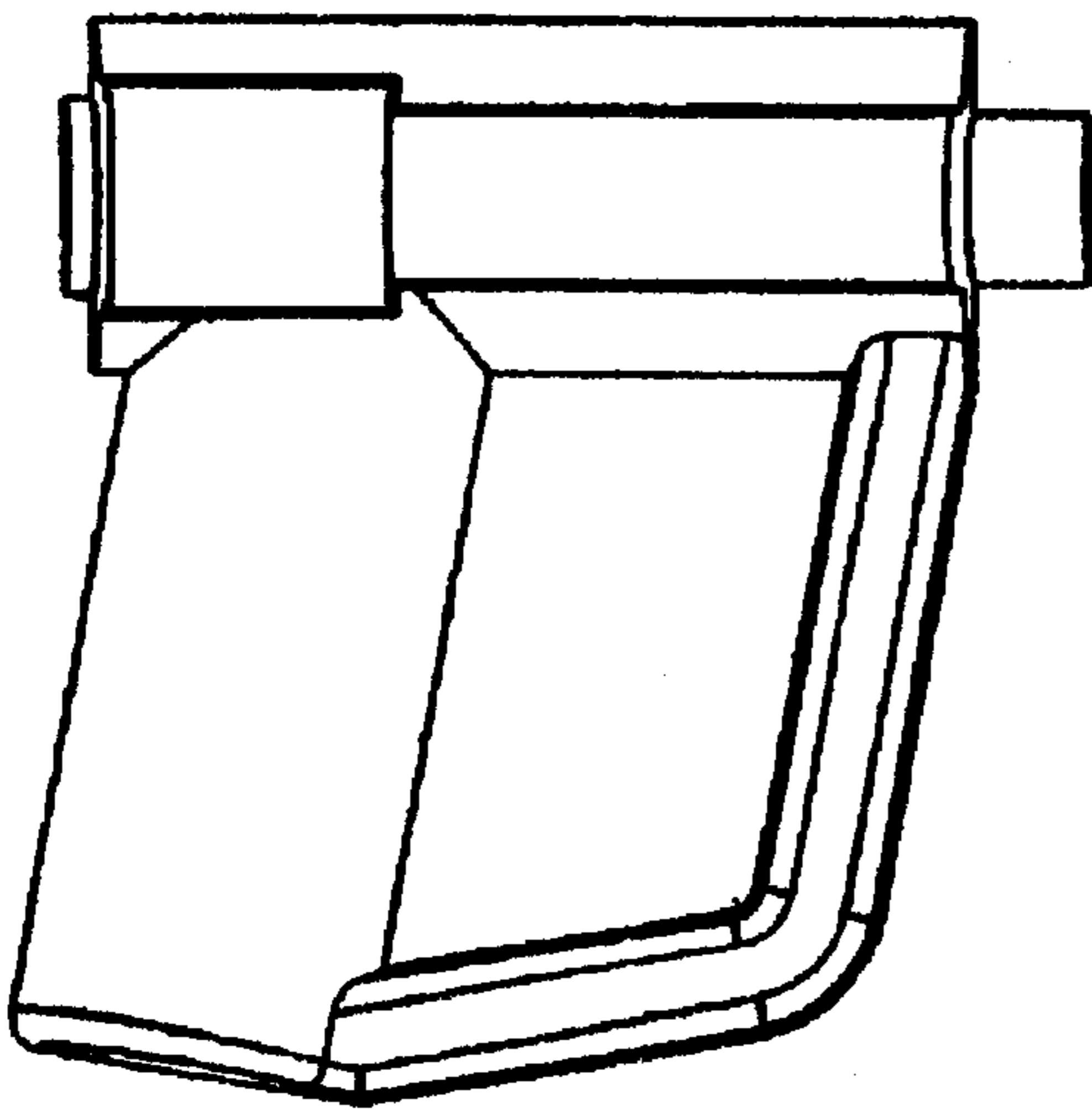


FIG. 6

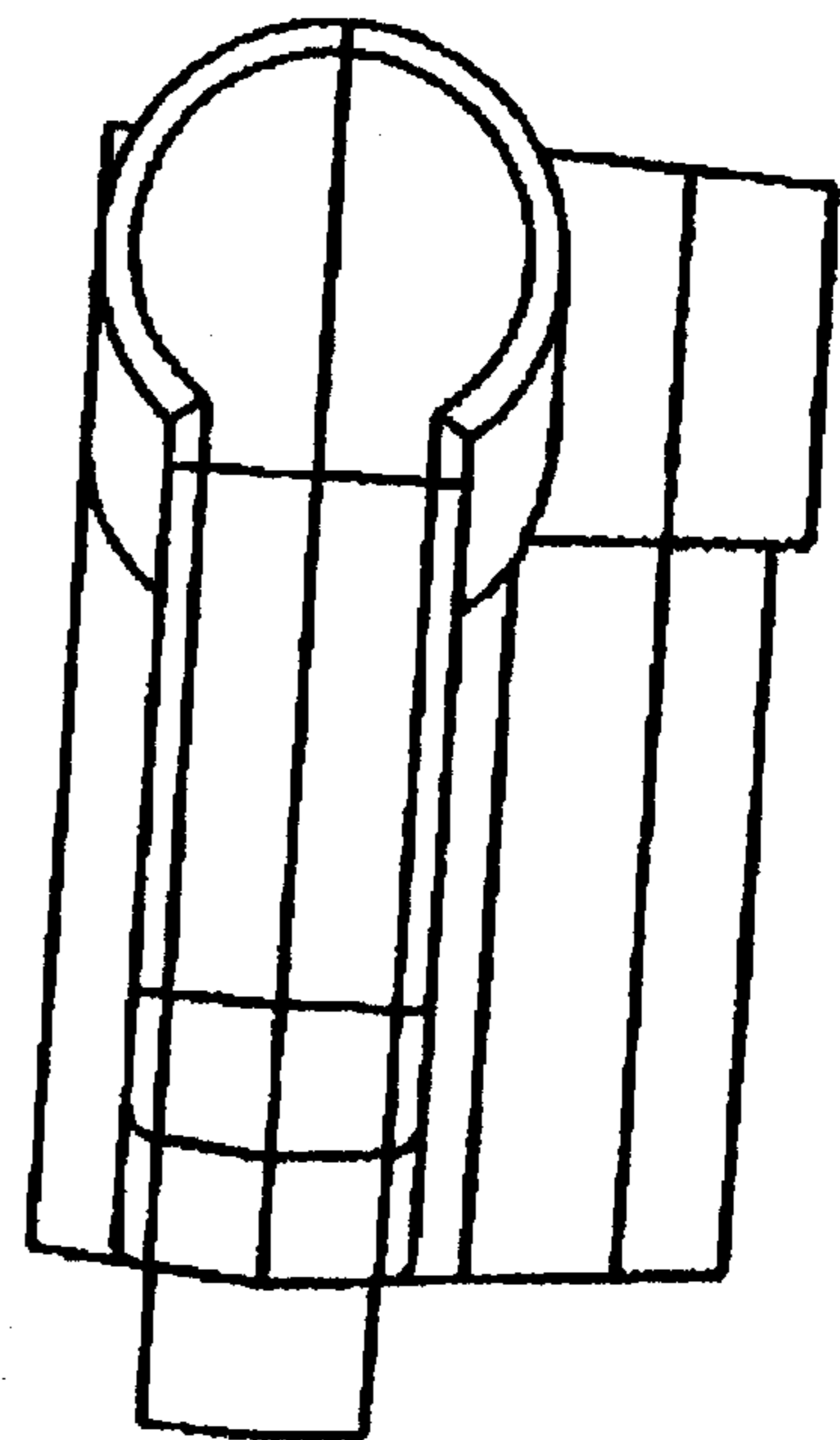


FIG. 7