



US00D489086S

(12) **United States Design Patent**  
**Koshihara**

(10) **Patent No.:** **US D489,086 S**

(45) **Date of Patent:** **\*\* Apr. 27, 2004**

(54) **MARKING PEN**

6,019,535 A \* 2/2000 Turner ..... 401/52

(75) Inventor: **Munetoshi Koshihara**, Nara (JP)

\* cited by examiner

(73) Assignee: **Kuretake Co., Ltd.**, Nara (JP)

*Primary Examiner*—Martie K. Holtje

(\*\*) Term: **14 Years**

(74) *Attorney, Agent, or Firm*—Burns, Doane, Swecker & Mathis, L.L.P.

(21) Appl. No.: **29/177,297**

(57) **CLAIM**

(22) Filed: **Mar. 10, 2003**

The ornamental design for a “marking pen”, as shown and described.

(51) **LOC (7) Cl.** ..... **19-06**

**DESCRIPTION**

(52) **U.S. Cl.** ..... **D19/43; D19/57; D19/46**

(58) **Field of Search** ..... D19/35, 36, 41–51,  
D19/53–58, 81–85; 401/6, 7, 52, 88, 131,  
98, 192, 196, 198, 199, 202, 209, 213,  
243–247, 261, 262

FIG. 1 is a front elevational view of a marking pen showing my new design, the rear view being a mirror image thereof; FIG. 2 is a left side elevational view, the right side being a mirror image thereof;

FIG. 3 is a top plan view thereof;

FIG. 4 is a bottom plan view thereof;

FIG. 5 is a perspective view thereof;

FIG. 6 is a front elevational view thereof with the cap member removed for ease of illustration, the rear view being a mirror image thereof;

FIG. 7 is a left side elevational view of FIG. 6, the right side being a mirror image thereof;

FIG. 8 is a top plan view of FIG. 6;

FIG. 9 is a bottom plan view of FIG. 6; and,

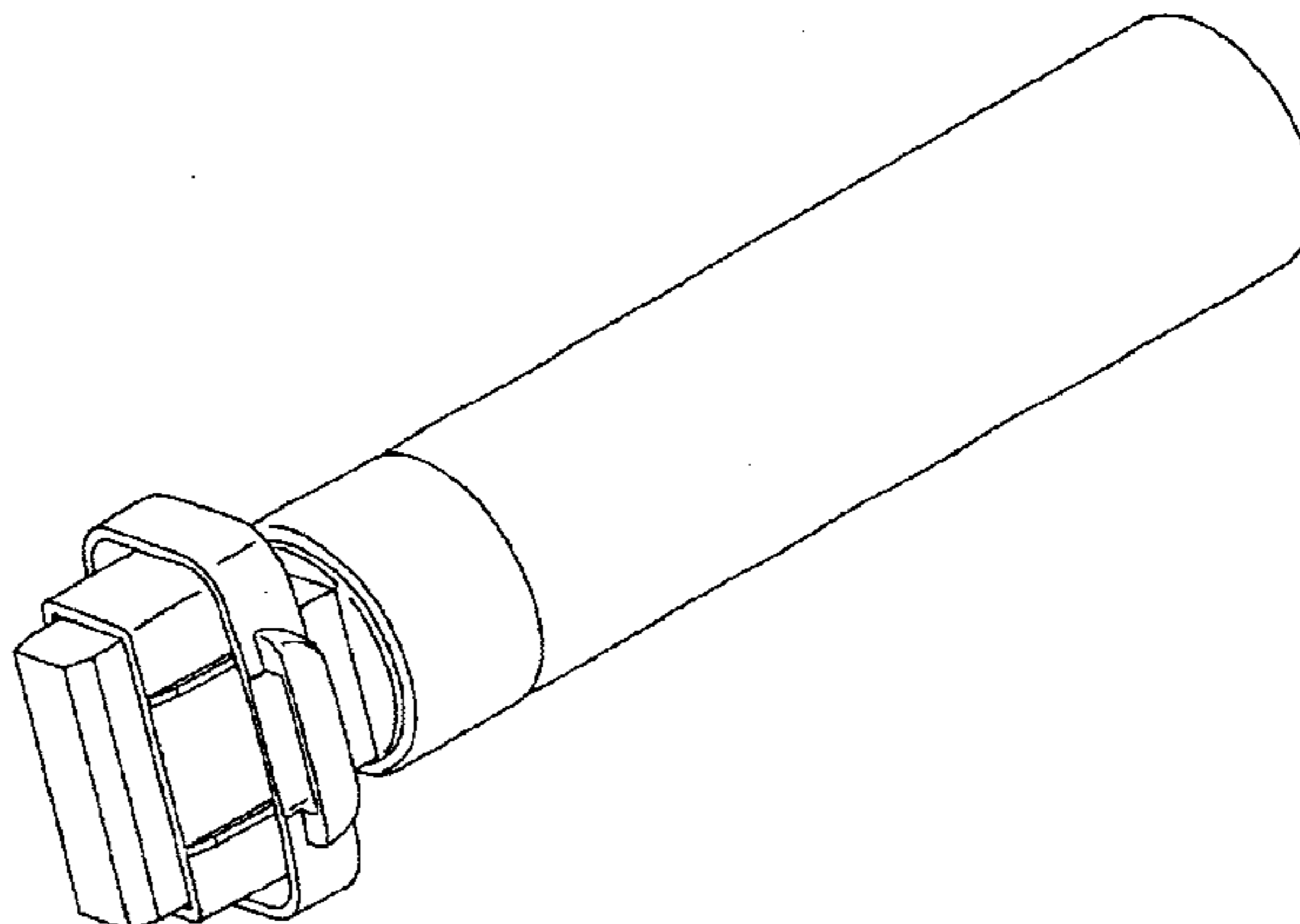
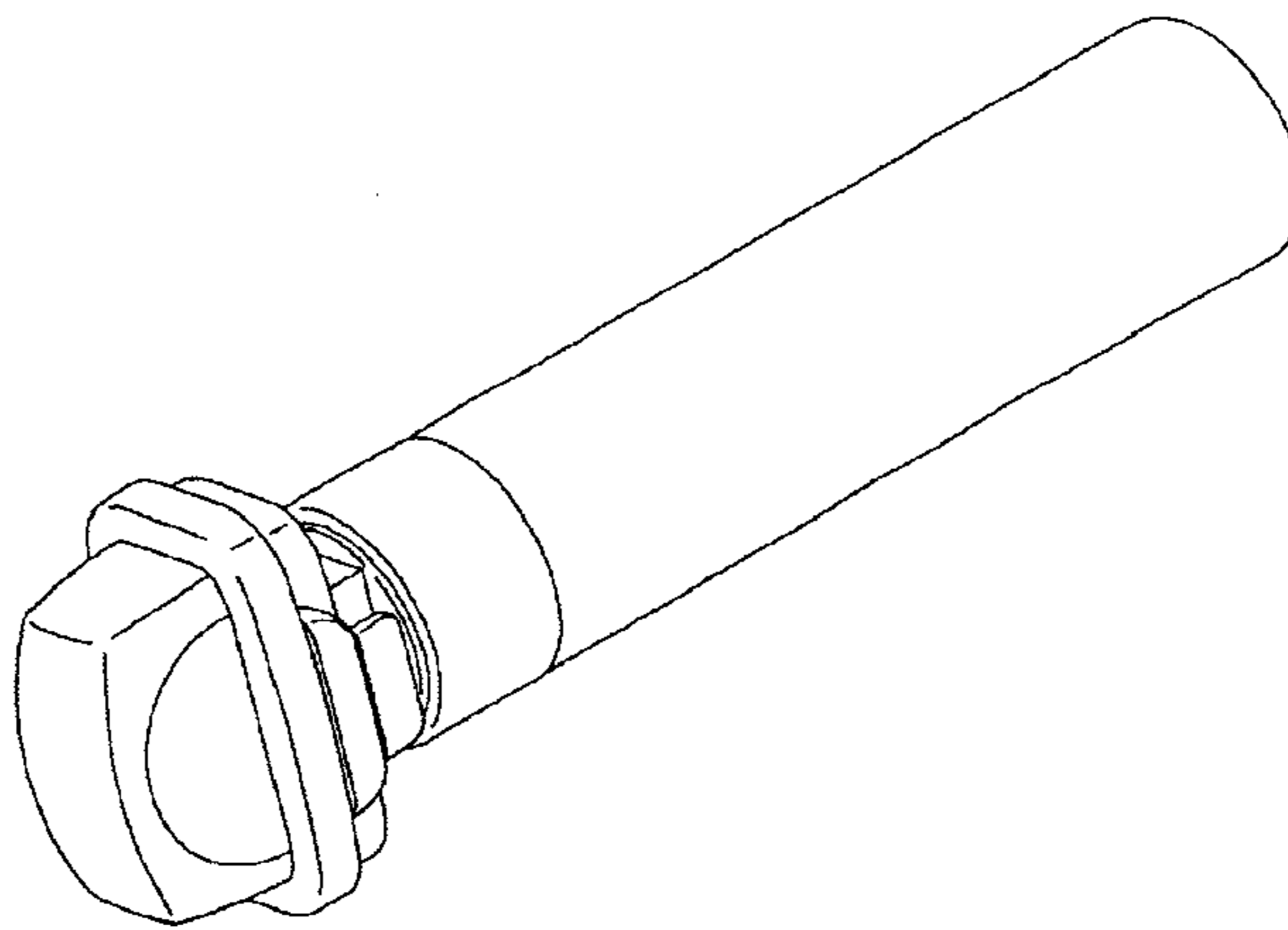
FIG. 10 is a perspective view of FIG. 6.

(56) **References Cited**

**U.S. PATENT DOCUMENTS**

2,143,712 A	*	1/1939	Rissman	.....	401/192
3,459,483 A	*	8/1969	Brastad	.....	401/131
D260,657 S	*	9/1981	Funahashi	.....	D19/43
D268,598 S	*	4/1983	Mizutani	.....	D19/46 X
D271,049 S	*	10/1983	Du Cret	.....	D19/43 X
4,723,859 A	*	2/1988	Kitoh	.....	401/199
D295,537 S	*	5/1988	Davidson et al.	.....	D19/43
D301,488 S	*	6/1989	Mizutani et al.	.....	D19/35 X
D304,840 S	*	11/1989	Mizutani et al.	.....	D19/43

**1 Claim, 4 Drawing Sheets**



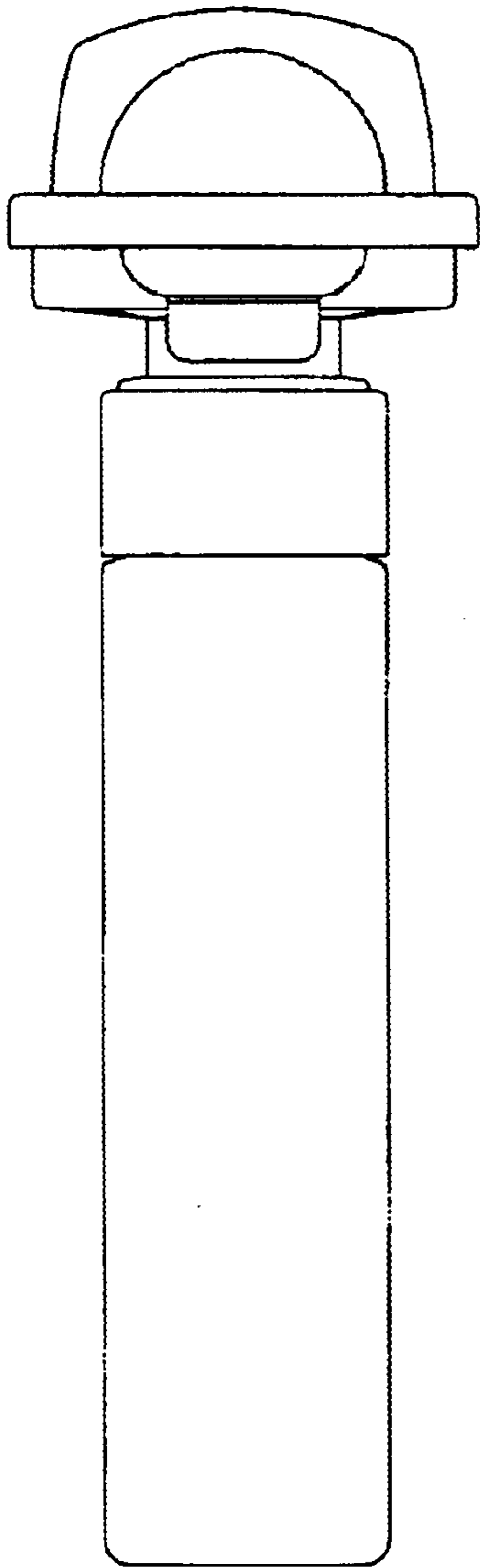


Fig. 1

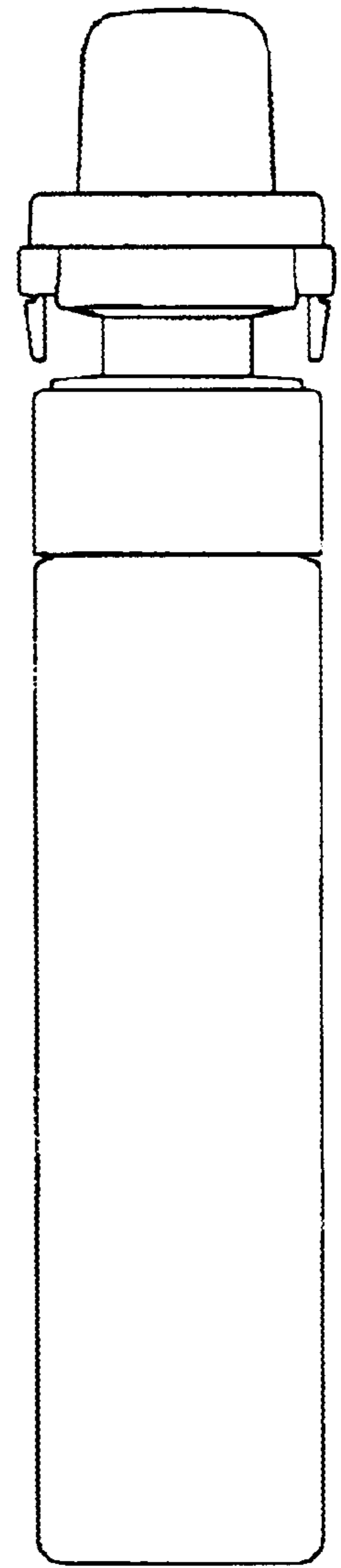


Fig. 2

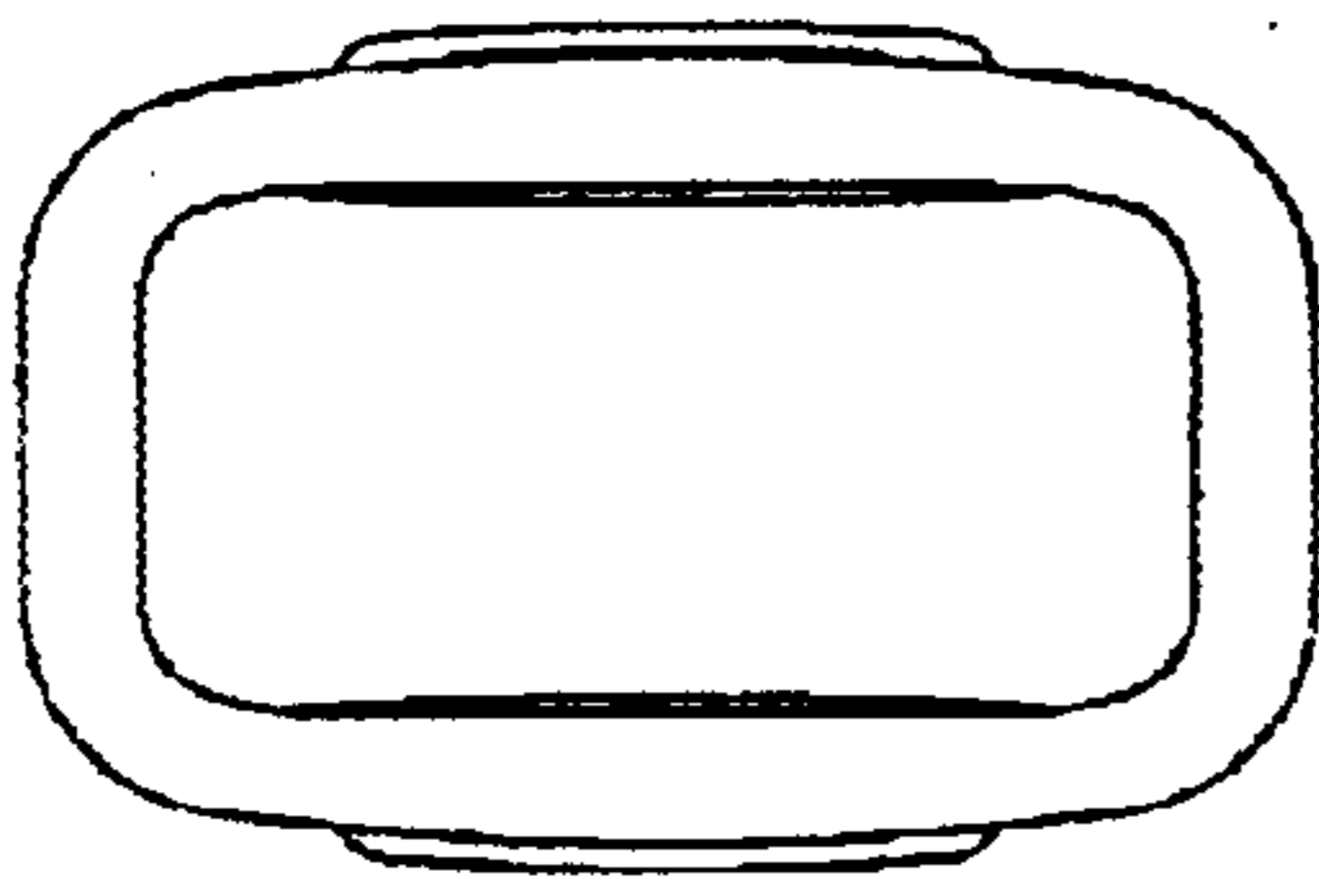


Fig. 3

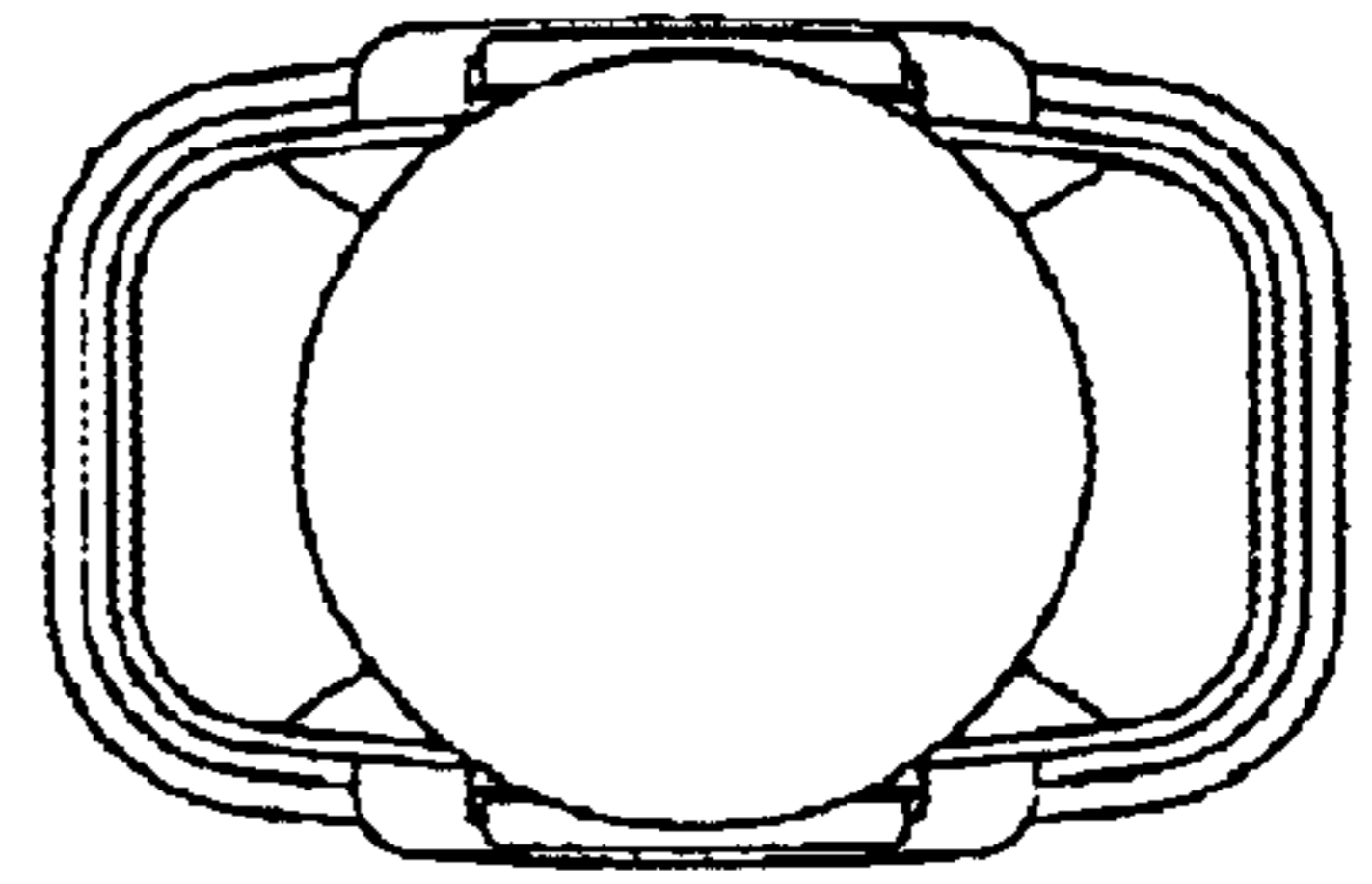


Fig. 4

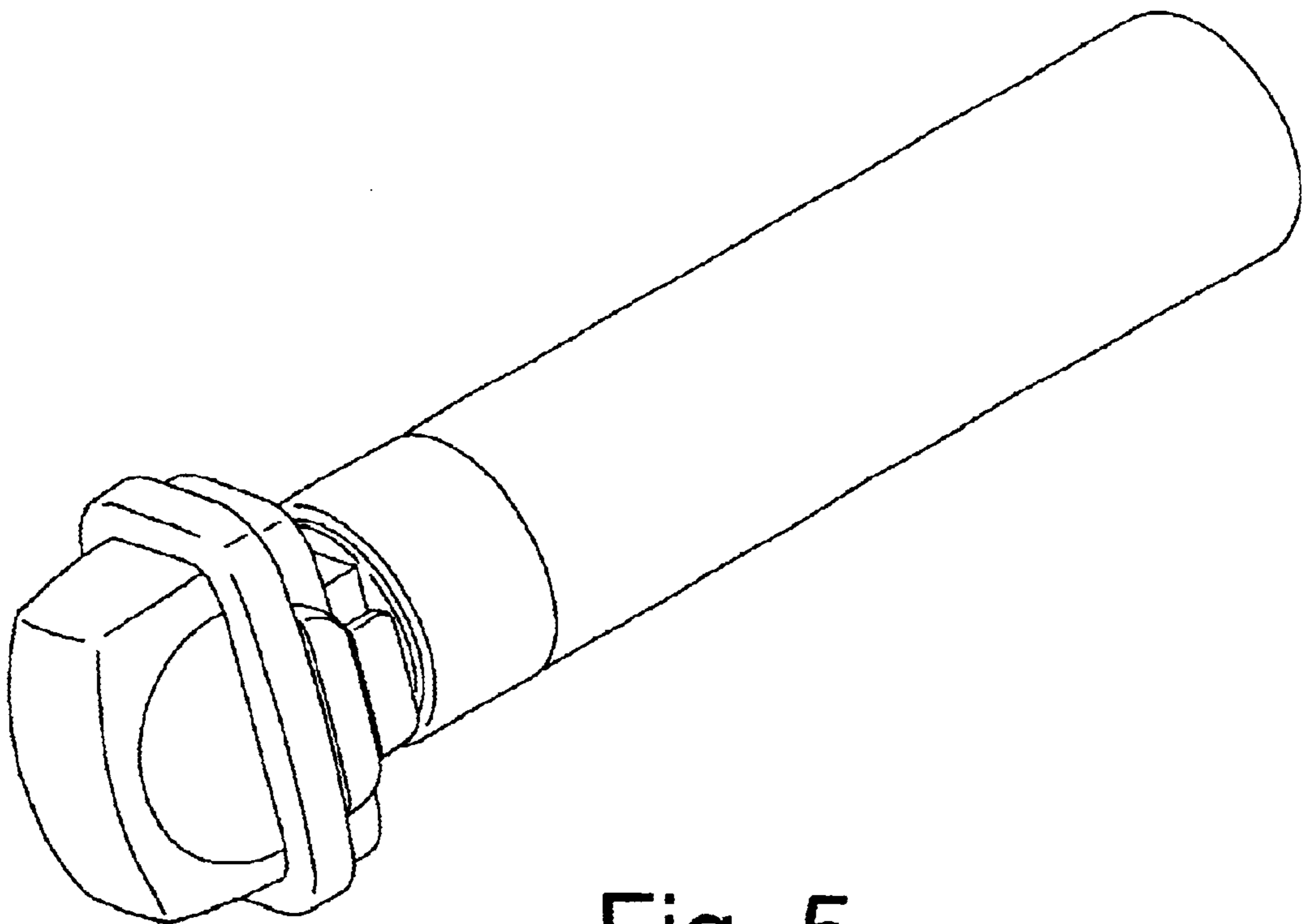


Fig. 5

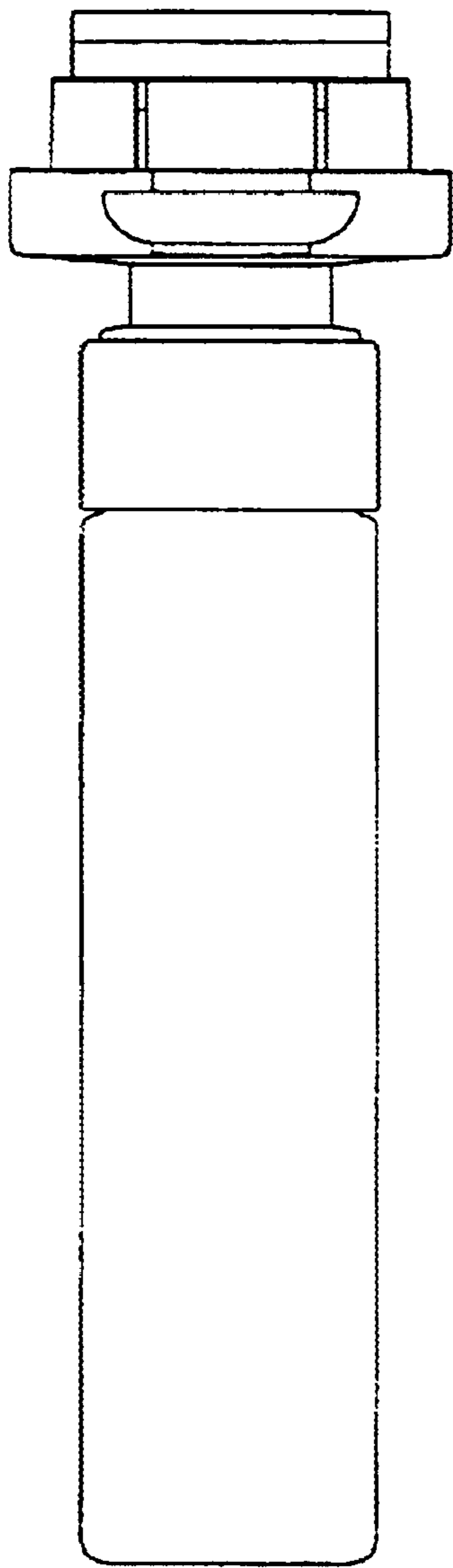


Fig. 6

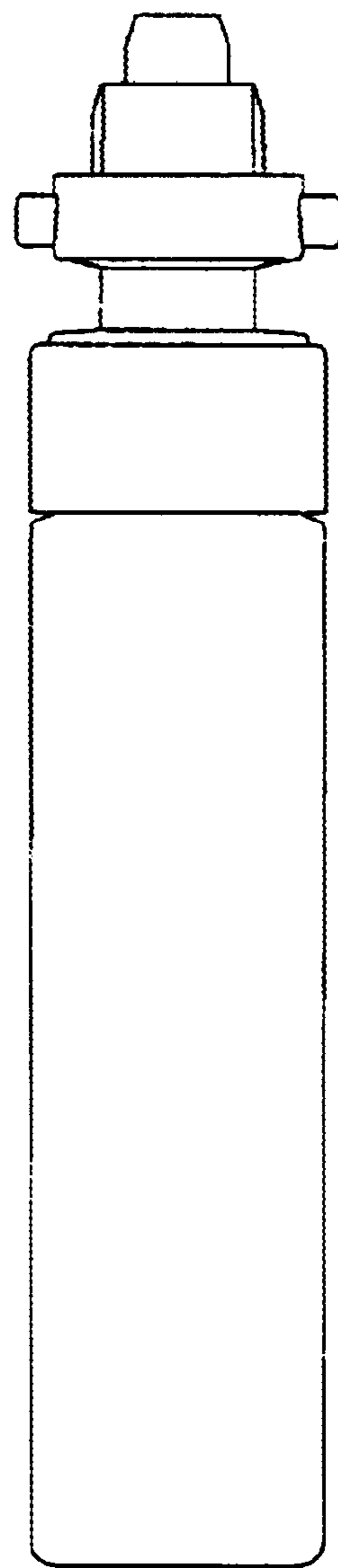


Fig. 7

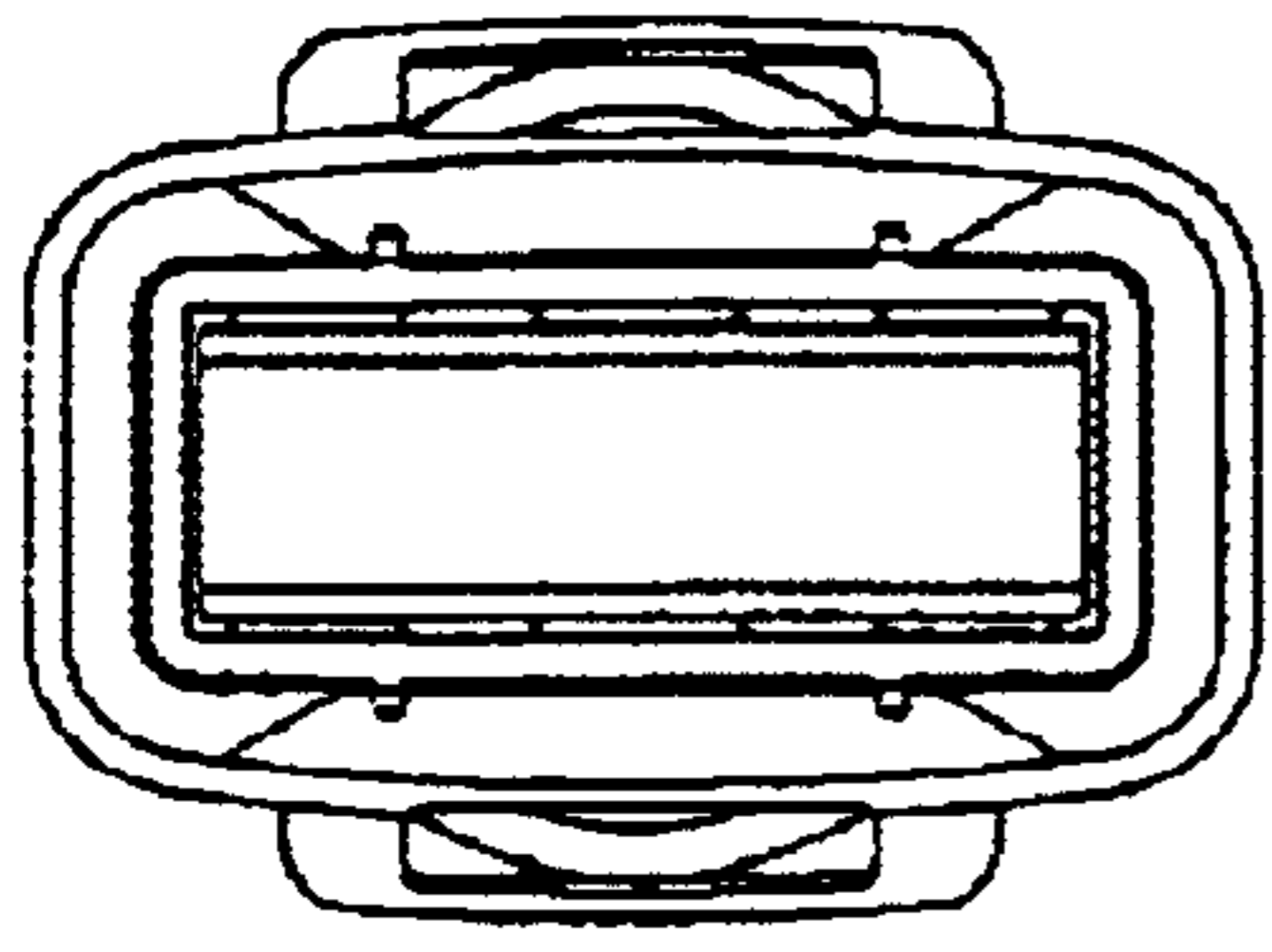


Fig. 8

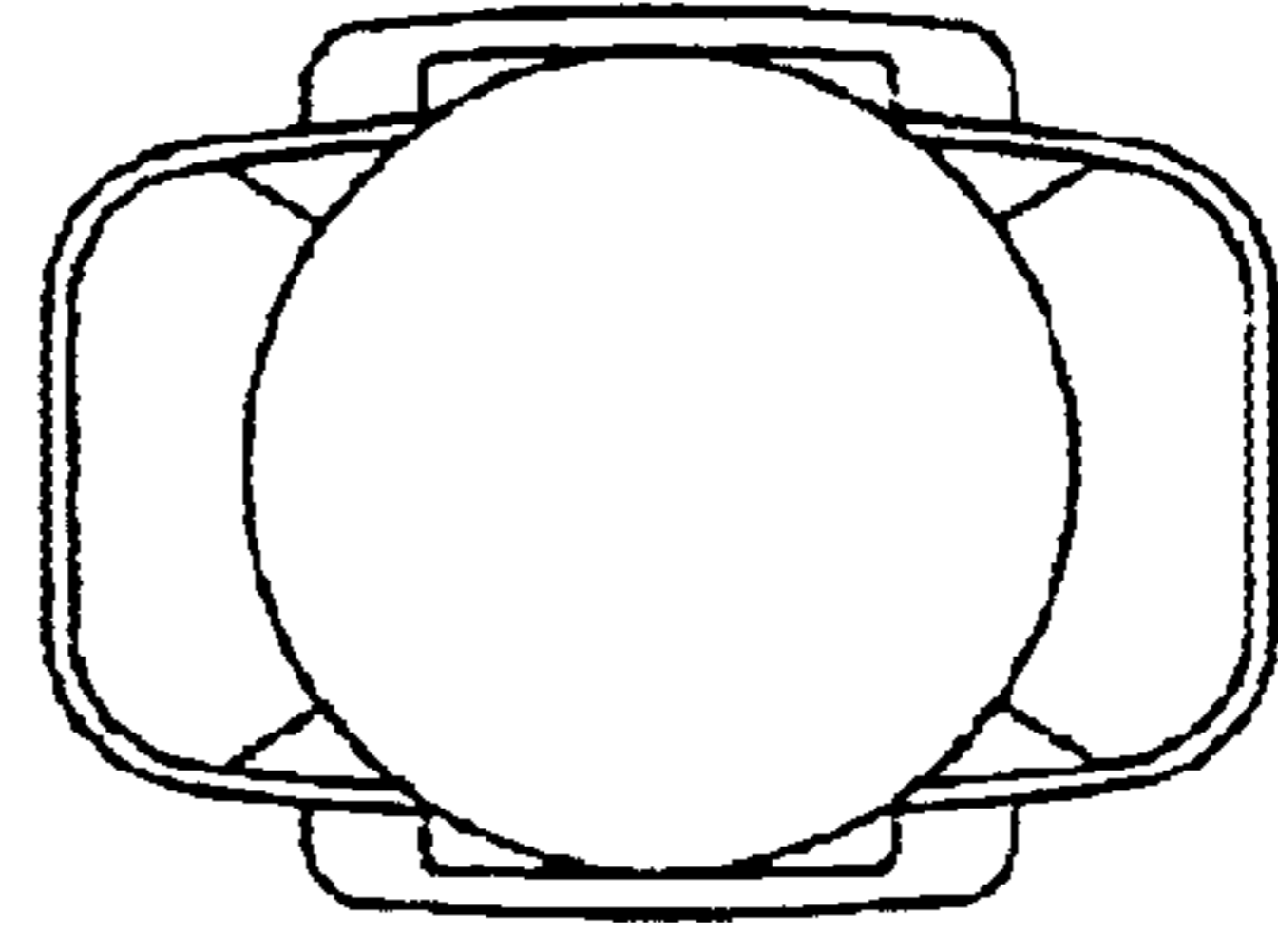


Fig. 9

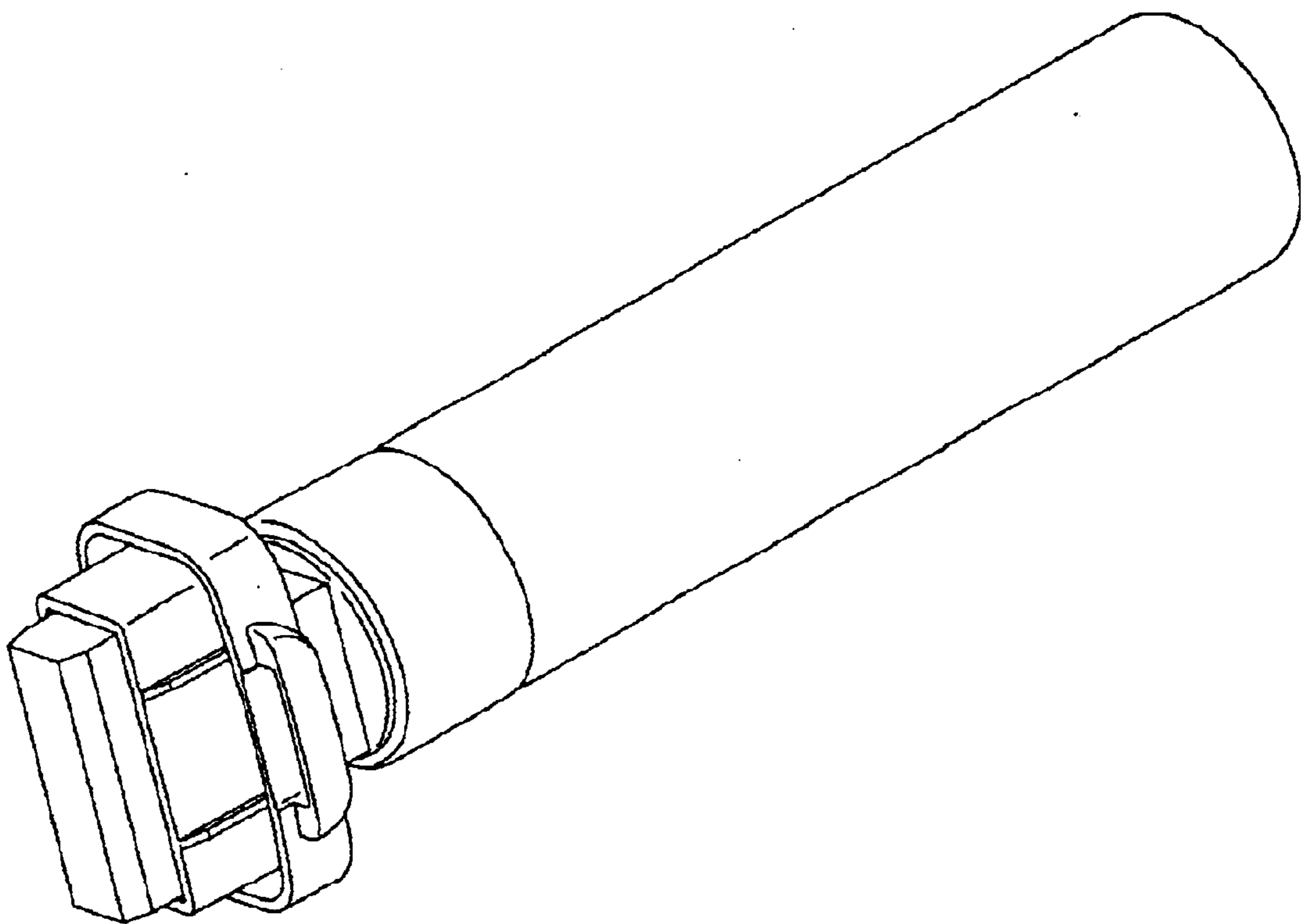


Fig. 10