



US00D489082S

(12) **United States Design Patent**
Nakaeda et al.

(10) **Patent No.:** **US D489,082 S**

(45) **Date of Patent:** **** Apr. 27, 2004**

(54) **LABEL PRINTER**

(75) Inventors: **Masayuki Nakaeda**, Kawasaki (JP);
Yasuhiro Ono, Yokohama (JP);
Katsuhiko Yoshida, Akishima (JP)

(73) Assignee: **Toshiba Tec Kabushiki Kaisha**, Tokyo (JP)

(**) Term: **14 Years**

(21) Appl. No.: **29/182,352**

(22) Filed: **May 23, 2003**

(30) **Foreign Application Priority Data**

Dec. 5, 2002 (JP) 2002-033696

(51) **LOC (7) Cl.** **18-99**

(52) **U.S. Cl.** **D18/19**

(58) **Field of Search** D18/19, 36, 40,
D18/44, 50, 56; D14/496, 299; 400/690-694,
613, 613.17, 614.4; 399/107, 391.7, 399,
361, 367, 381

(56) **References Cited**

U.S. PATENT DOCUMENTS

D362,673 S * 9/1995 Yamamoto D18/19
D368,435 S * 4/1996 Caamano et al. D18/53
D389,510 S 1/1998 Mimoto
D425,547 S * 5/2000 Ishiura D18/19

FOREIGN PATENT DOCUMENTS

BX 27166-00 S 10/1996
CN ZL 96 3 04190.8 S 3/1997

FR 441 057 441 066 S 10/1996
GB 2055913 S 4/1996
JP 993825 S 10/1997
JP 993825 1 S 11/1997
JP 1057240 S 12/1999
KR 208059 S 10/1997
TW 291359 S 11/1996
WO DM/058754 * 1/2002 18/2

OTHER PUBLICATIONS

Taiwan Registration No. 055945 (refers to Publication No. 291359).
DE Geschmacksmusterblatt Heft 22 vom Nov. 25, 1996; (German Registration No. M 96 03 742.3) N 140, pp. 6000-6001.

* cited by examiner

Primary Examiner—Charles A. Rademaker
(74) *Attorney, Agent, or Firm*—Darby & Darby

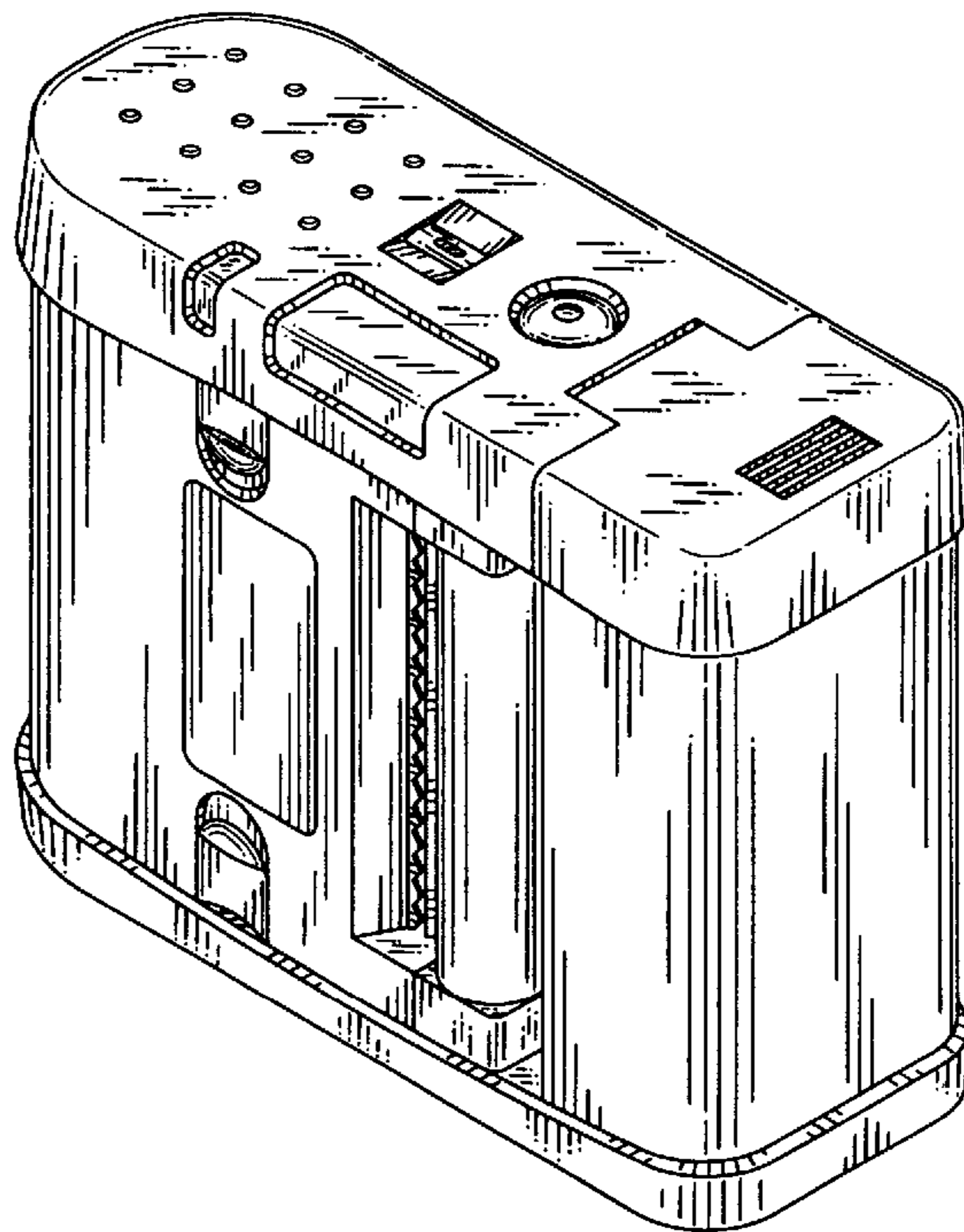
(57) **CLAIM**

We claim the ornamental design for a label printer, as shown.

DESCRIPTION

FIG. 1 is a front perspective view of our new design for a label printer;
FIG. 2 is a front view thereof;
FIG. 3 is a rear view thereof;
FIG. 4 is a top plan view thereof;
FIG. 5 is a bottom plan view thereof;
FIG. 6 is a left side view thereof; and,
FIG. 7 is a right side view thereof.

1 Claim, 4 Drawing Sheets



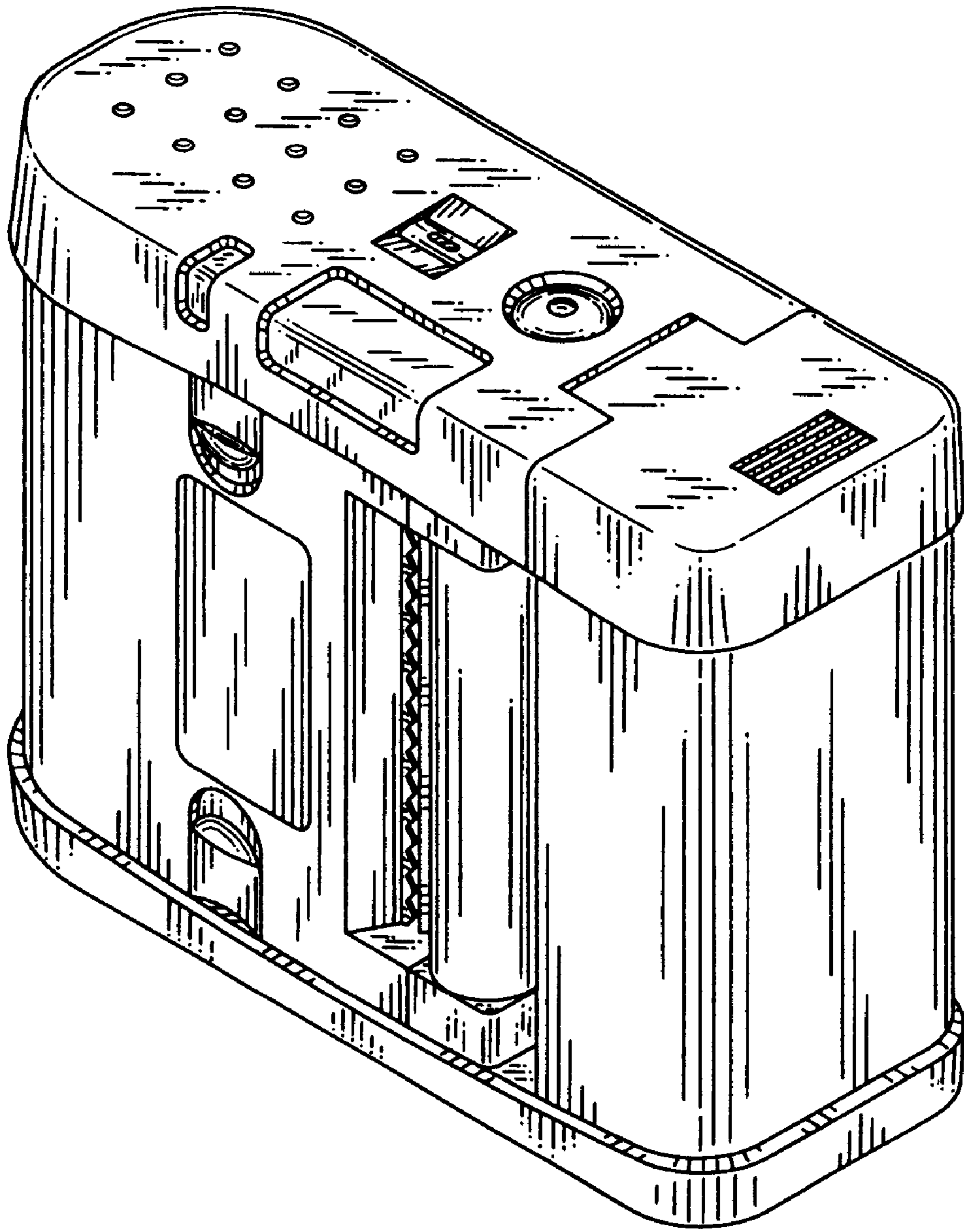


FIG. 1

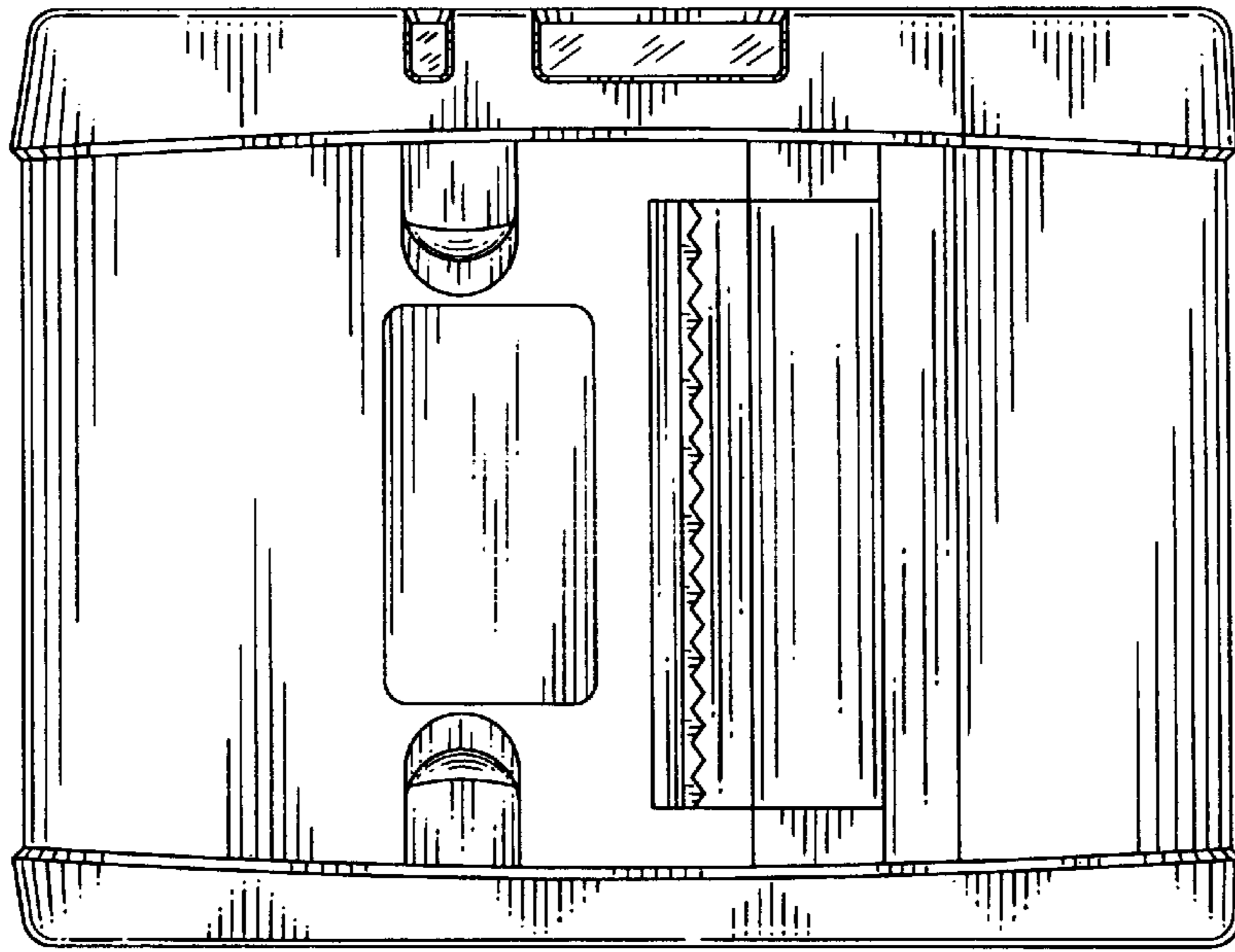


FIG. 2

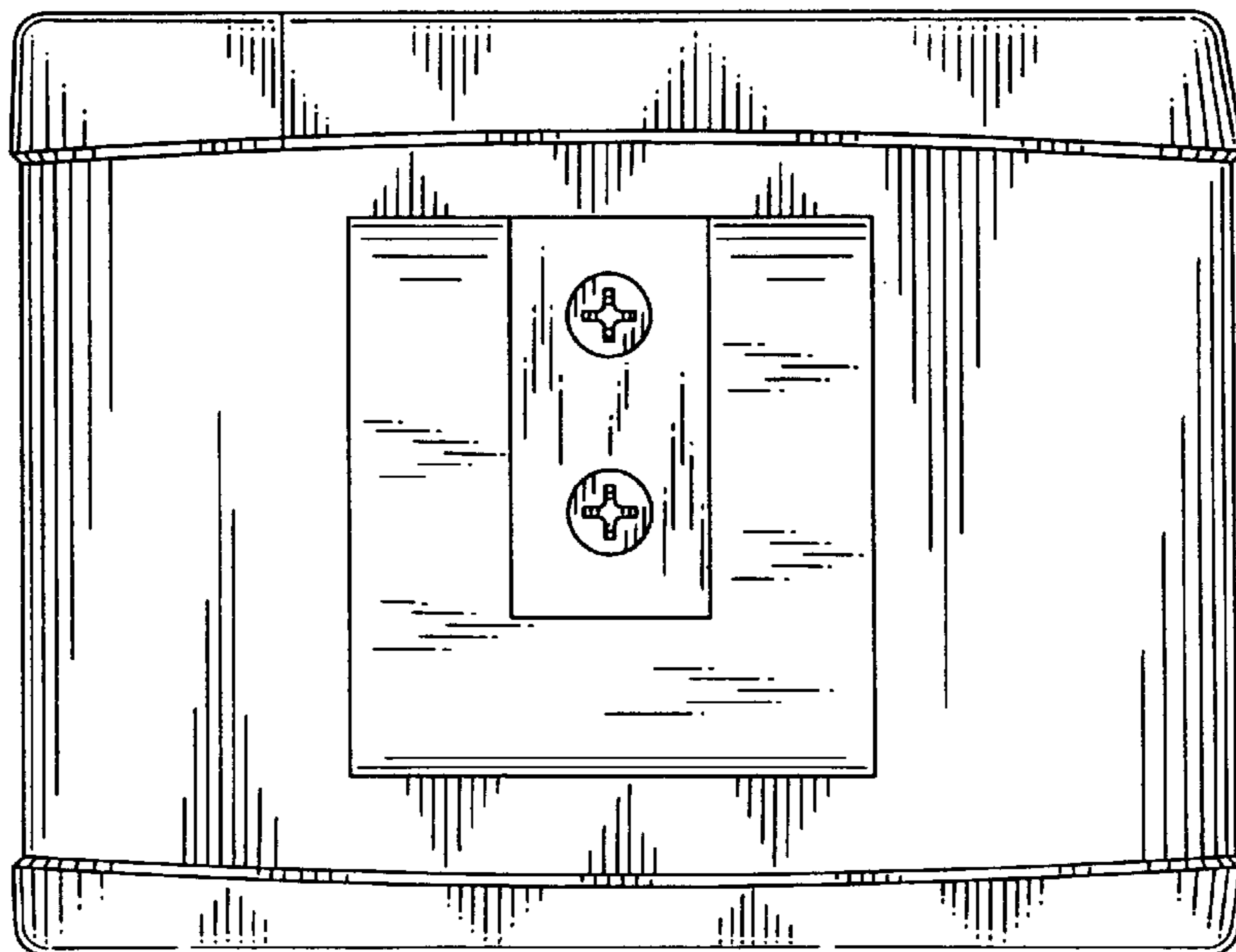


FIG. 3

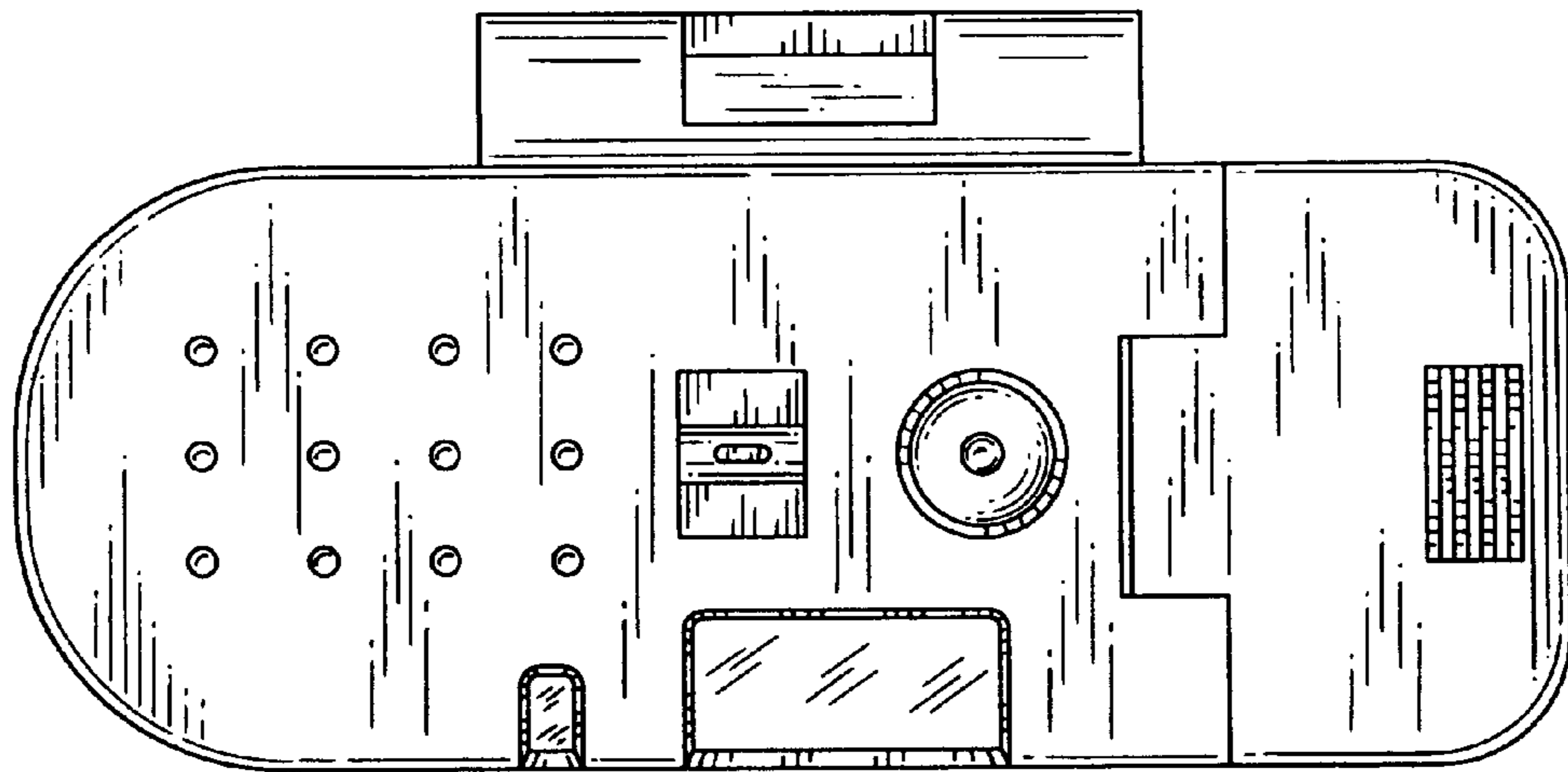


FIG. 4

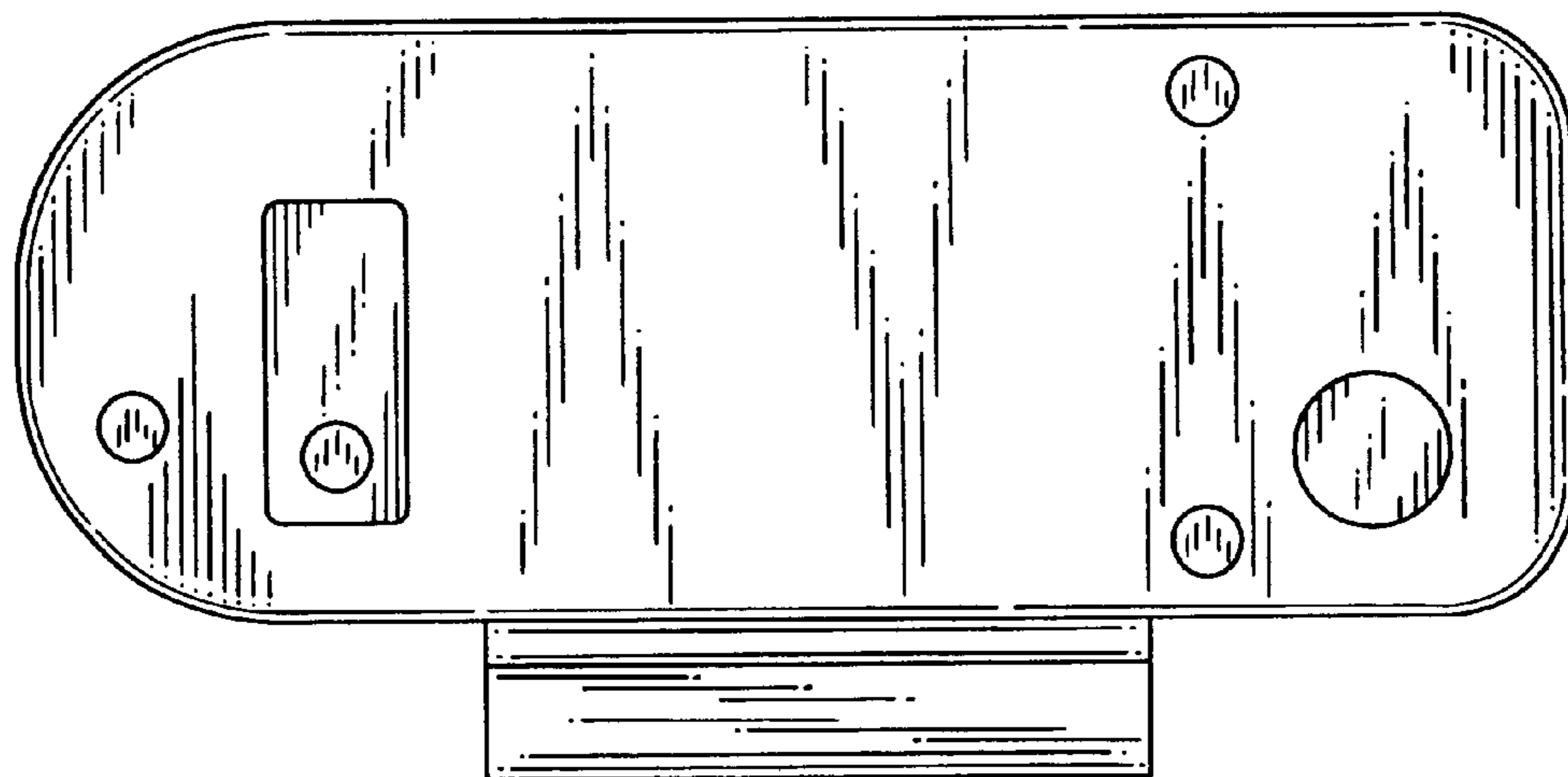


FIG. 5

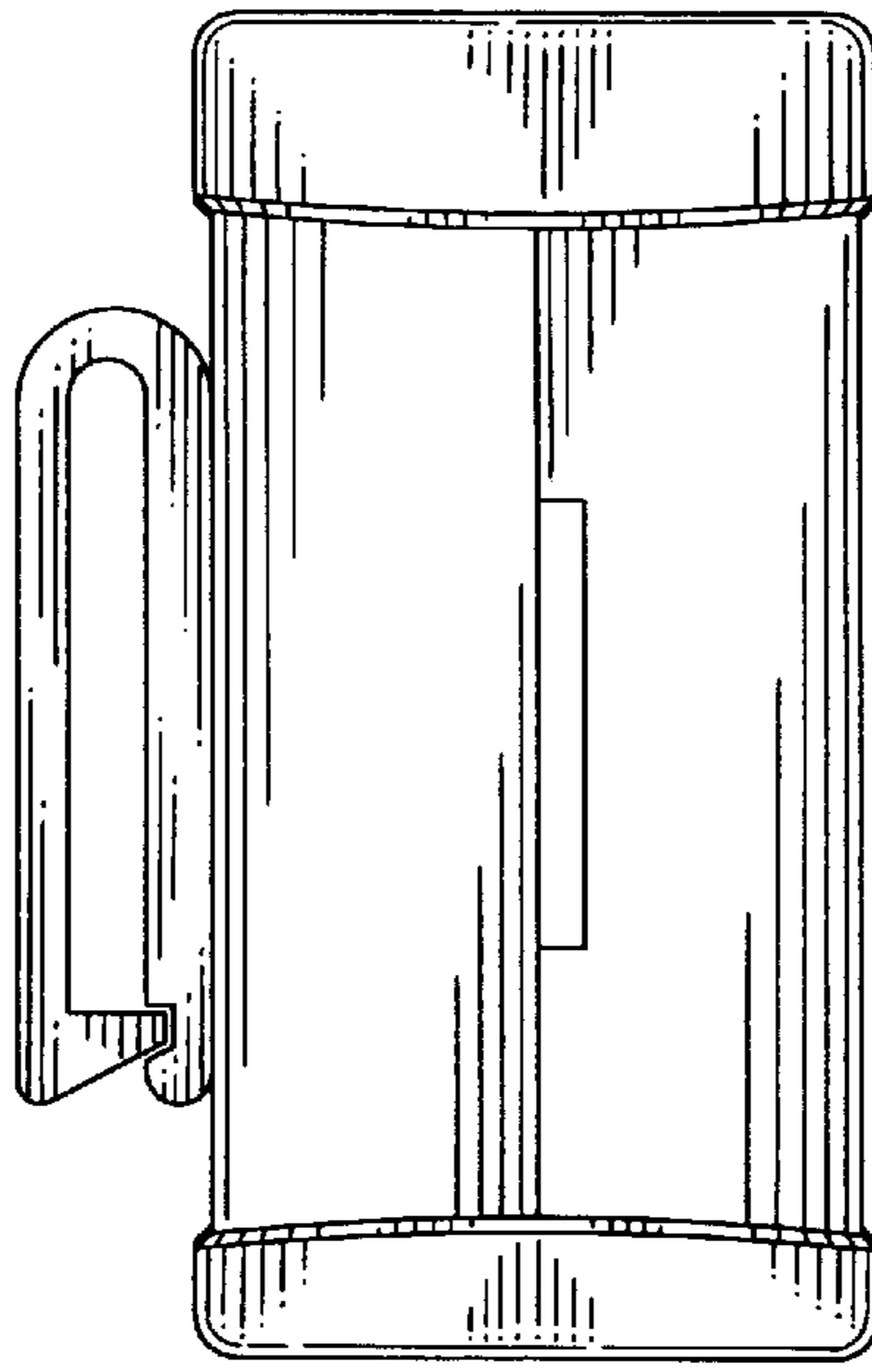


FIG. 6

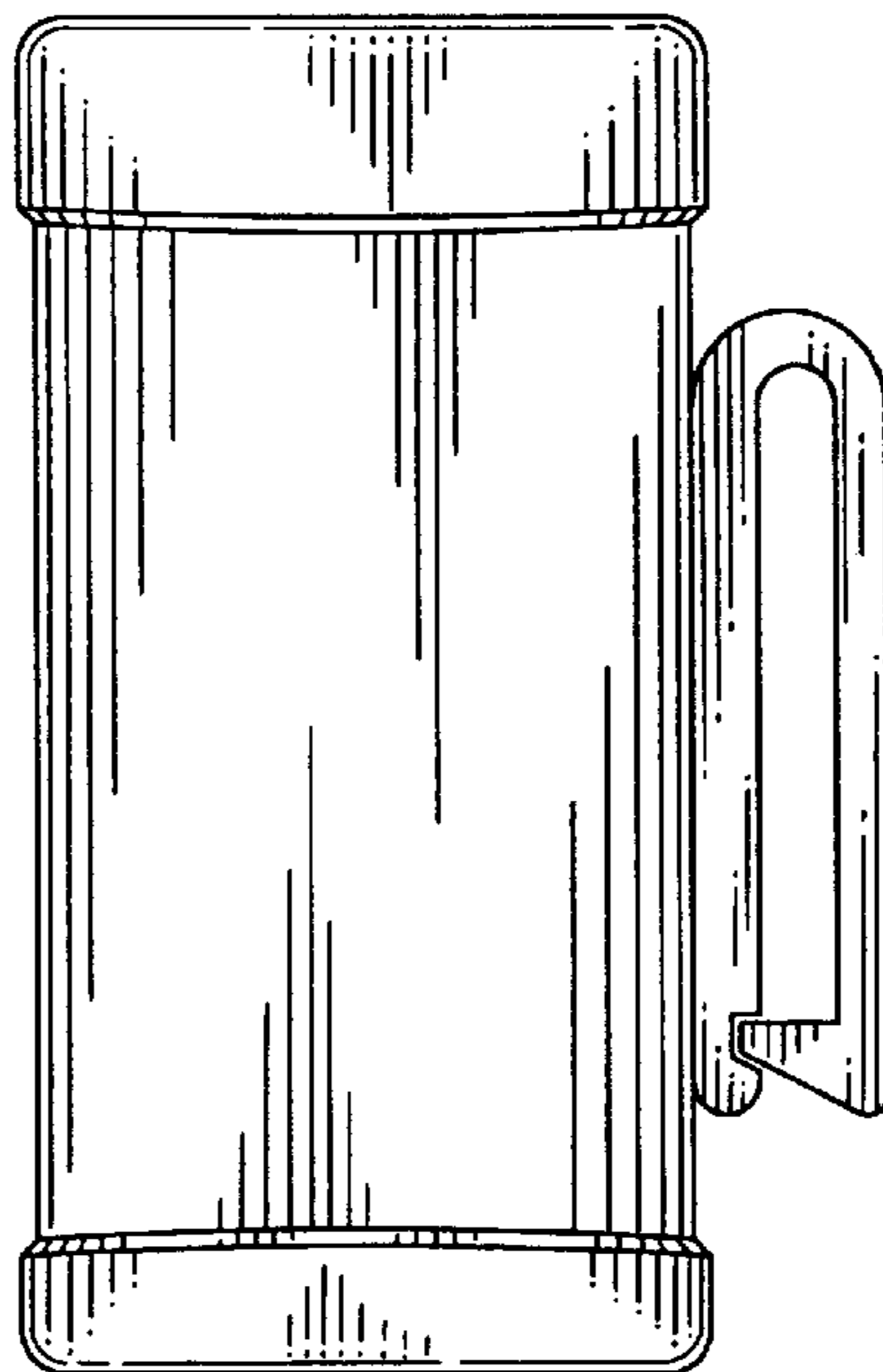


FIG. 7