



US00D489080S

(12) **United States Design Patent**
Ito

(10) **Patent No.:** **US D489,080 S**

(45) **Date of Patent:** **** Apr. 27, 2004**

(54) **VIDEO CAMERA**

D479,726 S 9/2003 Tanaka D16/202

(75) Inventor: **Hideki Ito, Wako (JP)**

FOREIGN PATENT DOCUMENTS

(73) Assignee: **Canon Kabushiki Kaisha, Tokyo (JP)**

JP 2002-020460 5/2003 114/311

(**) Term: **14 Years**

* cited by examiner

(21) Appl. No.: **29/174,918**

Primary Examiner—Adir Aronovich

(22) Filed: **Jan. 28, 2003**

(74) *Attorney, Agent, or Firm*—Fitzpatrick, Cella, Harper & Scinto

(30) **Foreign Application Priority Data**

Jul. 31, 2002 (JP) 2002-020460

(57) **CLAIM**

The ornamental design for a video camera, as shown and described.

(51) **LOC (7) Cl.** **16-01**

DESCRIPTION

(52) **U.S. Cl.** **D16/202**

(58) **Field of Search** D16/200–206,
D16/208; 348/373–376; 358/906; 396/535,
540, 541

FIG 1 is a front view of a video camera showing my new design;

FIG. 2 is a rear view thereof;

FIG. 3 is a top plan view thereof;

FIG. 4 is a bottom plan view thereof;

FIG. 5 is a left side view thereof;

FIG. 6 is a right side view thereof; and,

FIG. 7 is a perspective view thereof.

The broken lines illustrated on the camera strap represent conventional stitching.

(56) **References Cited**

U.S. PATENT DOCUMENTS

- D391,588 S * 3/1998 Sumita D16/202
- D407,097 S * 3/1999 Suzuki et al. D16/202
- D426,843 S * 6/2000 Tanaka D16/202
- D431,582 S * 10/2000 Sumita et al. D16/202
- D446,800 S * 8/2001 Fukushima et al. D16/202
- D471,218 S * 3/2003 Sekine D16/202

1 Claim, 7 Drawing Sheets

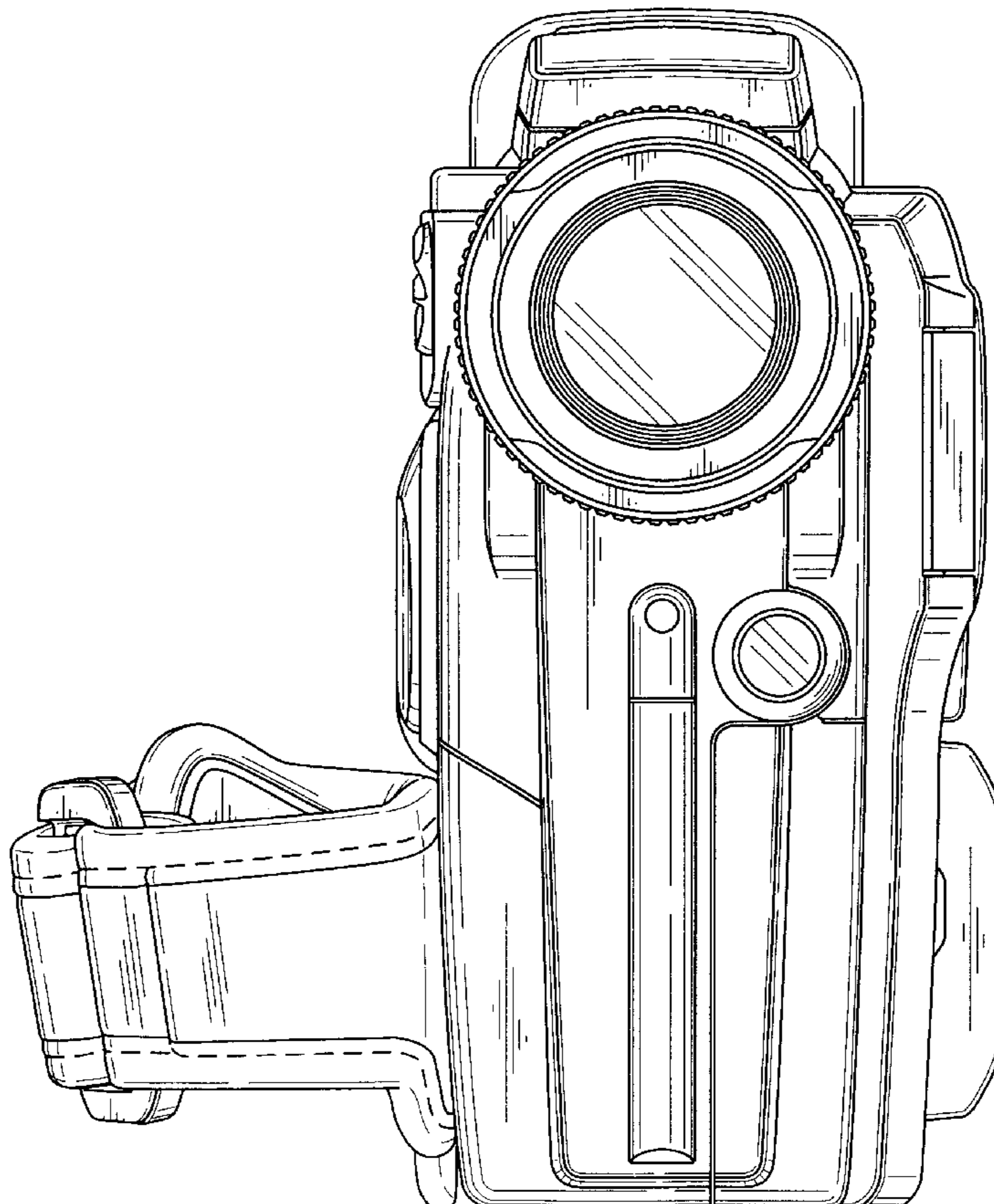


FIG. 1

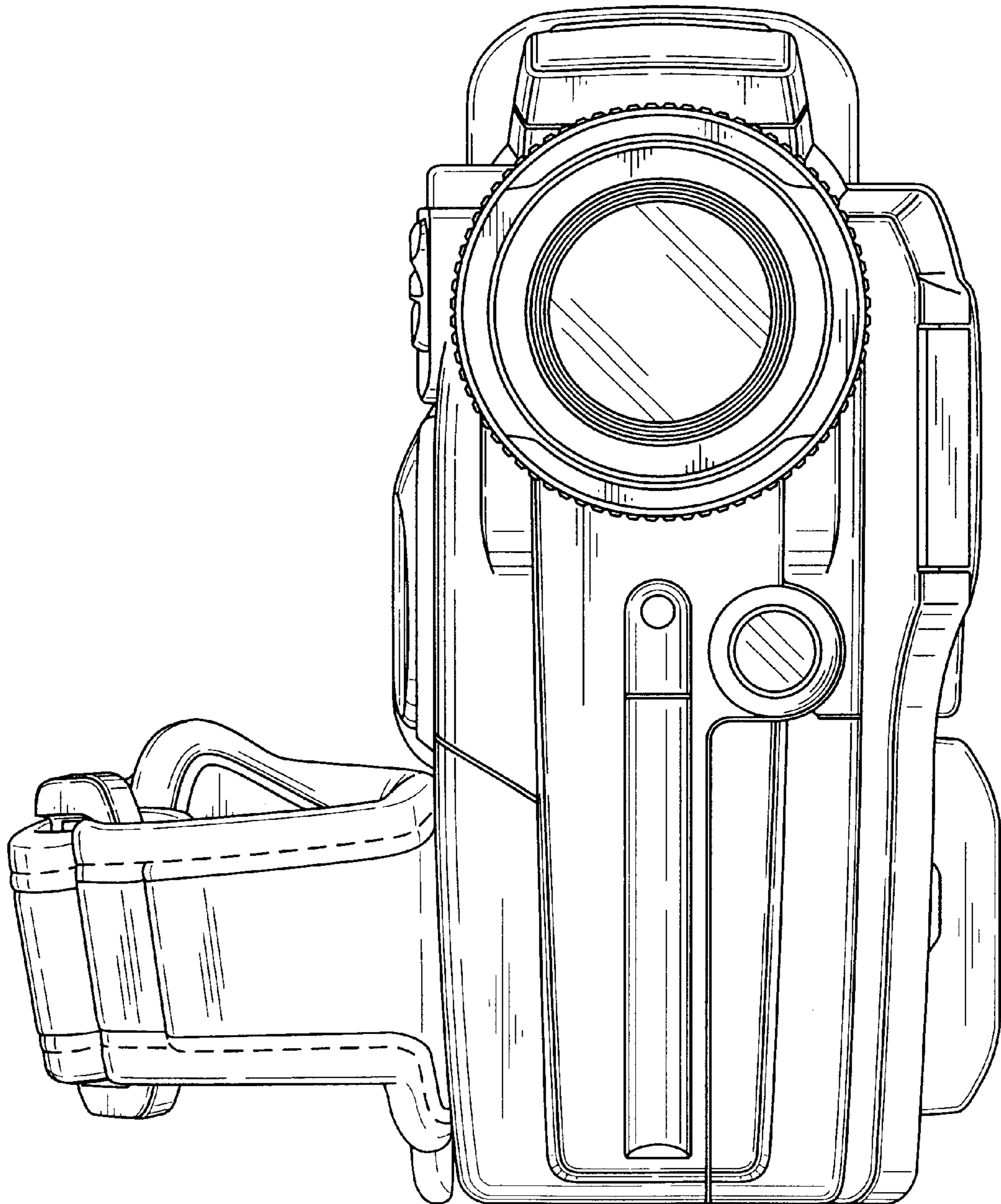


FIG. 2

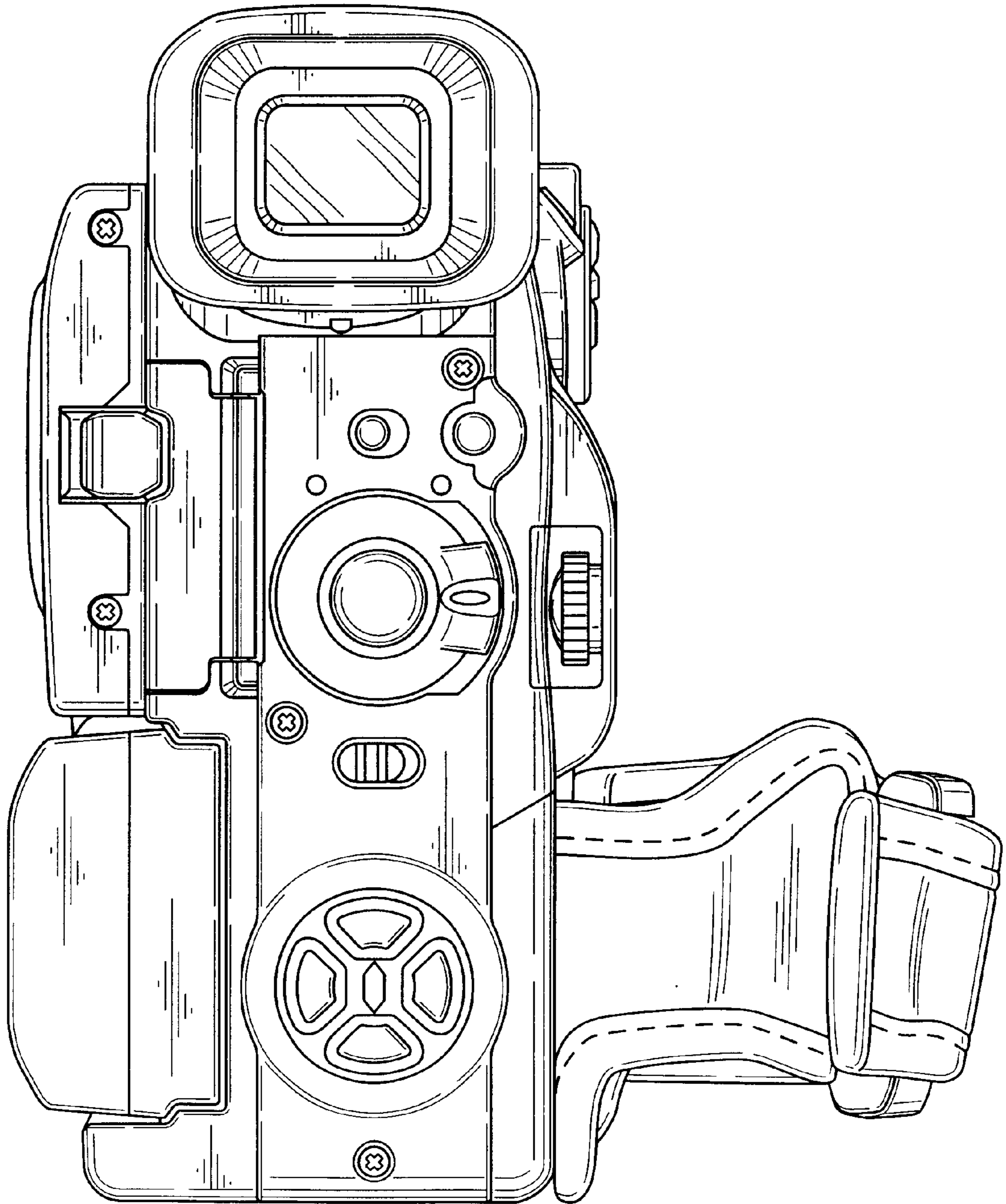


FIG. 3

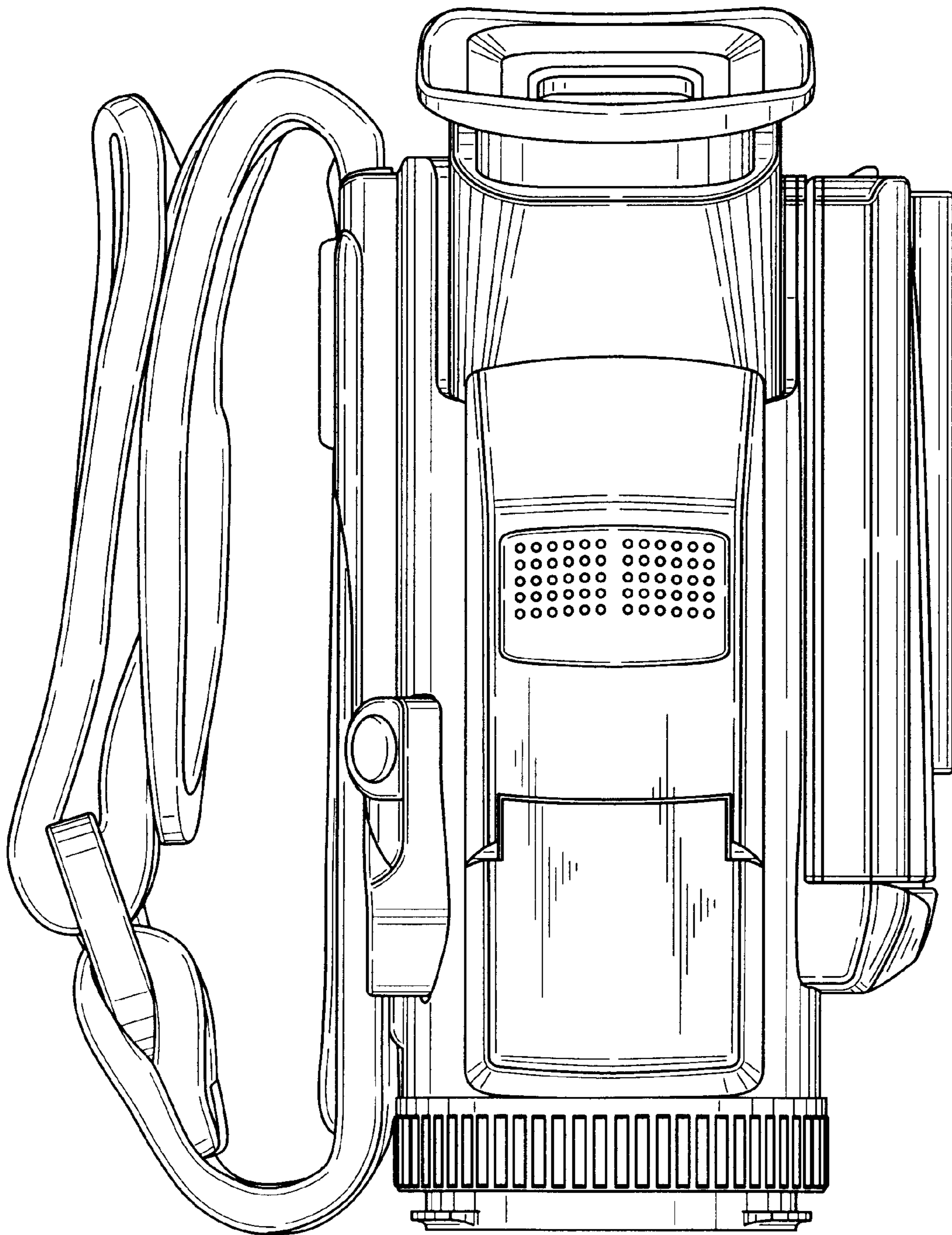


FIG. 4

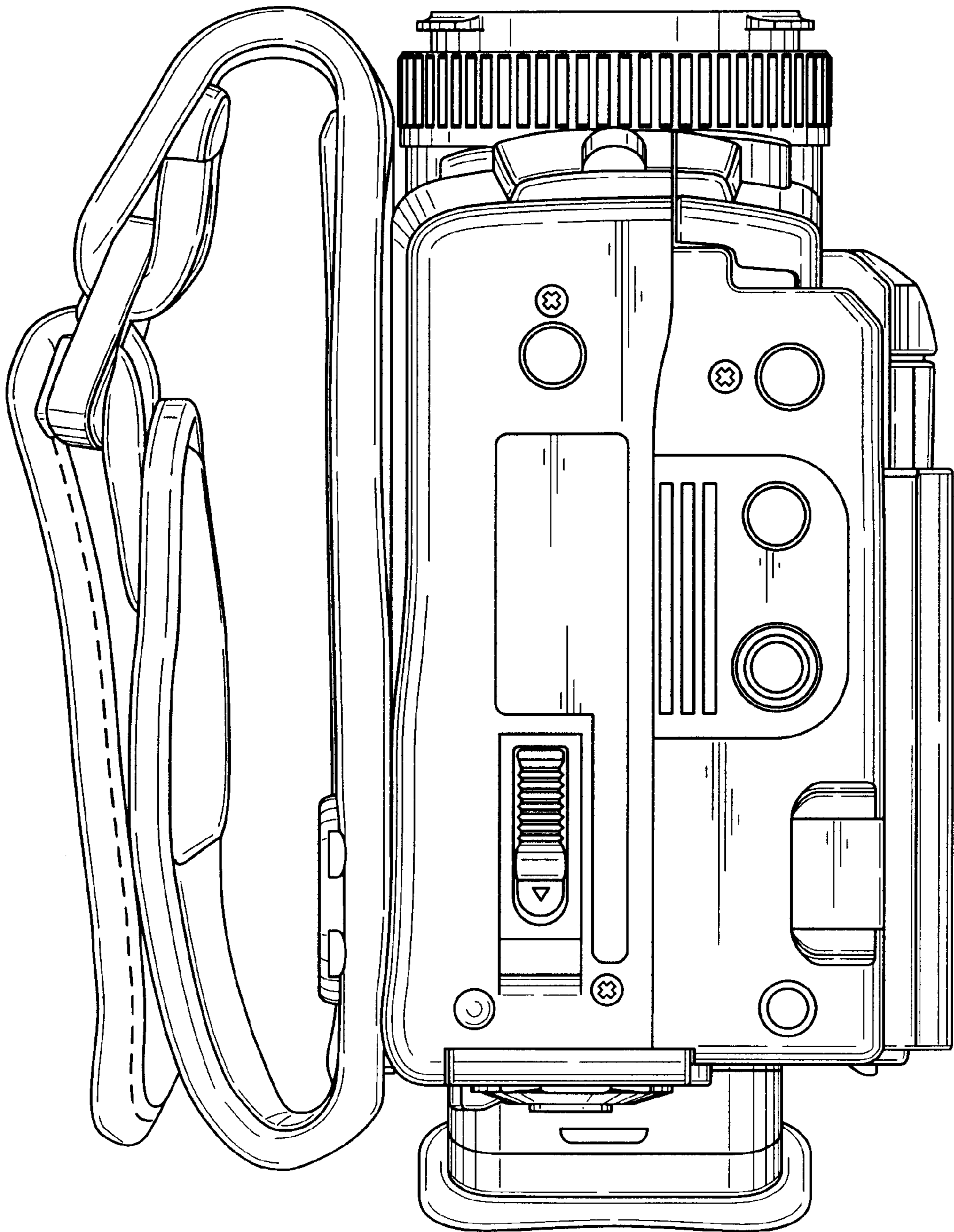


FIG. 5

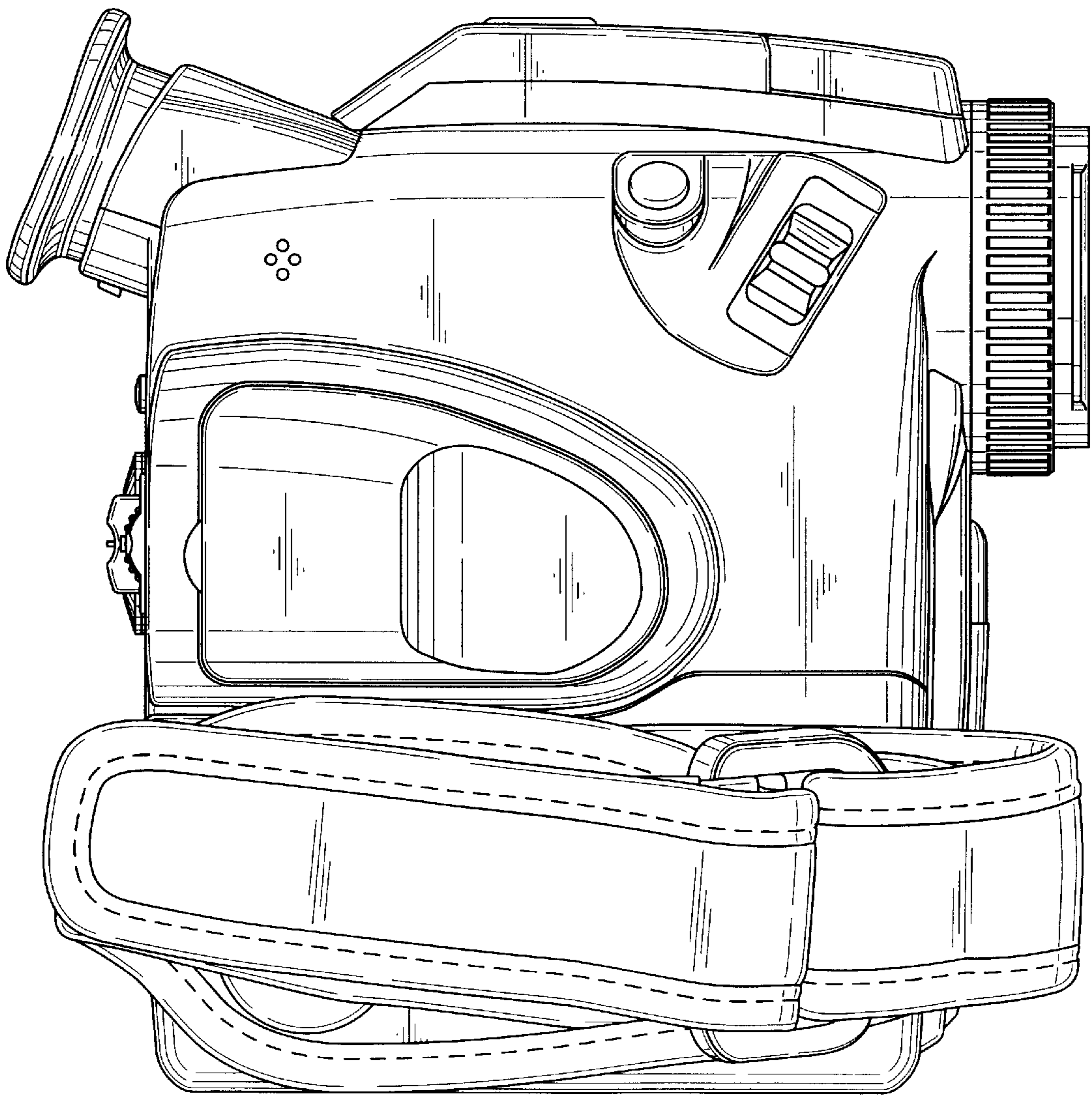


FIG. 6

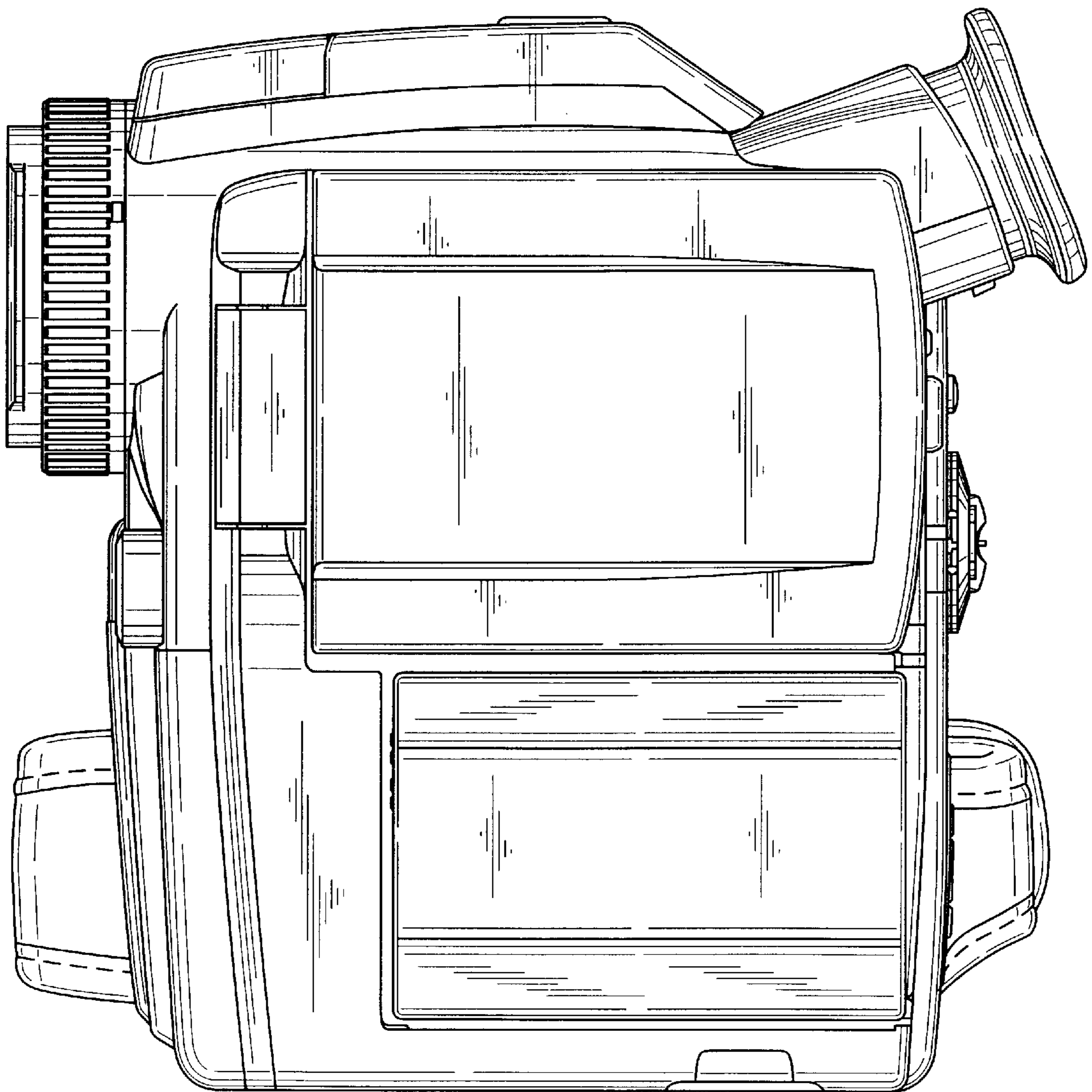


FIG. 7

