



US00D489078S

(12) **United States Design Patent**
Roy

(10) **Patent No.:** **US D489,078 S**

(45) **Date of Patent:** **** Apr. 27, 2004**

(54) **AIR CHUCK**

DESCRIPTION

- (76) Inventor: **Mike Roy**, 7120 Hwy 17 E, Hagar, Ontario (CA), P0M 1X0
- (**) Term: **14 Years**
- (21) Appl. No.: **29/181,492**
- (22) Filed: **May 13, 2003**
- (51) **LOC (7) Cl.** **15-09**
- (52) **U.S. Cl.** **D15/140**
- (58) **Field of Search** D8/70; D15/140; 242/575.3, 571.6, 596.1; 279/2.07, 571.1, 4.11

The present design relates to the ornamental features of a drill chuck adapted to releasably attach to an air impact drill. FIG. 1a is a perspective view from the rear of the air chuck of the present design. FIG. 1b is a perspective view from the rear of the air chuck of the present design. FIG. 2a is a side elevation view of the air chuck of the present design. FIG. 2b is a side elevation view of the air chuck of the present design. FIG. 3 is a rear elevation view of the air chuck of the present design. FIG. 4a is a front elevation view of the air chuck of the present design. FIG. 4b is a front elevation view of the air chuck of the present design. FIG. 5a is a perspective view from the front of the air chuck of the present design. FIG. 5b is a perspective view from the front of the air chuck of the present design. FIG. 6a is an opposite side elevation view of FIG. 2a of the air chuck of the present design; and, FIG. 6b is an opposite side elevation view of FIG. 2b of the air chuck of the present design.

(56) **References Cited**

U.S. PATENT DOCUMENTS

- 5,951,023 A * 9/1999 Ryan 279/2.07
- 6,367,733 B1 * 4/2002 McLaughlin 242/575.3

* cited by examiner

Primary Examiner—Antoine Duval Davis

(74) *Attorney, Agent, or Firm*—Mike M. Gauthier

(57) **CLAIM**

The ornamental design for the air chuck, as shown and described.

1 Claim, 2 Drawing Sheets

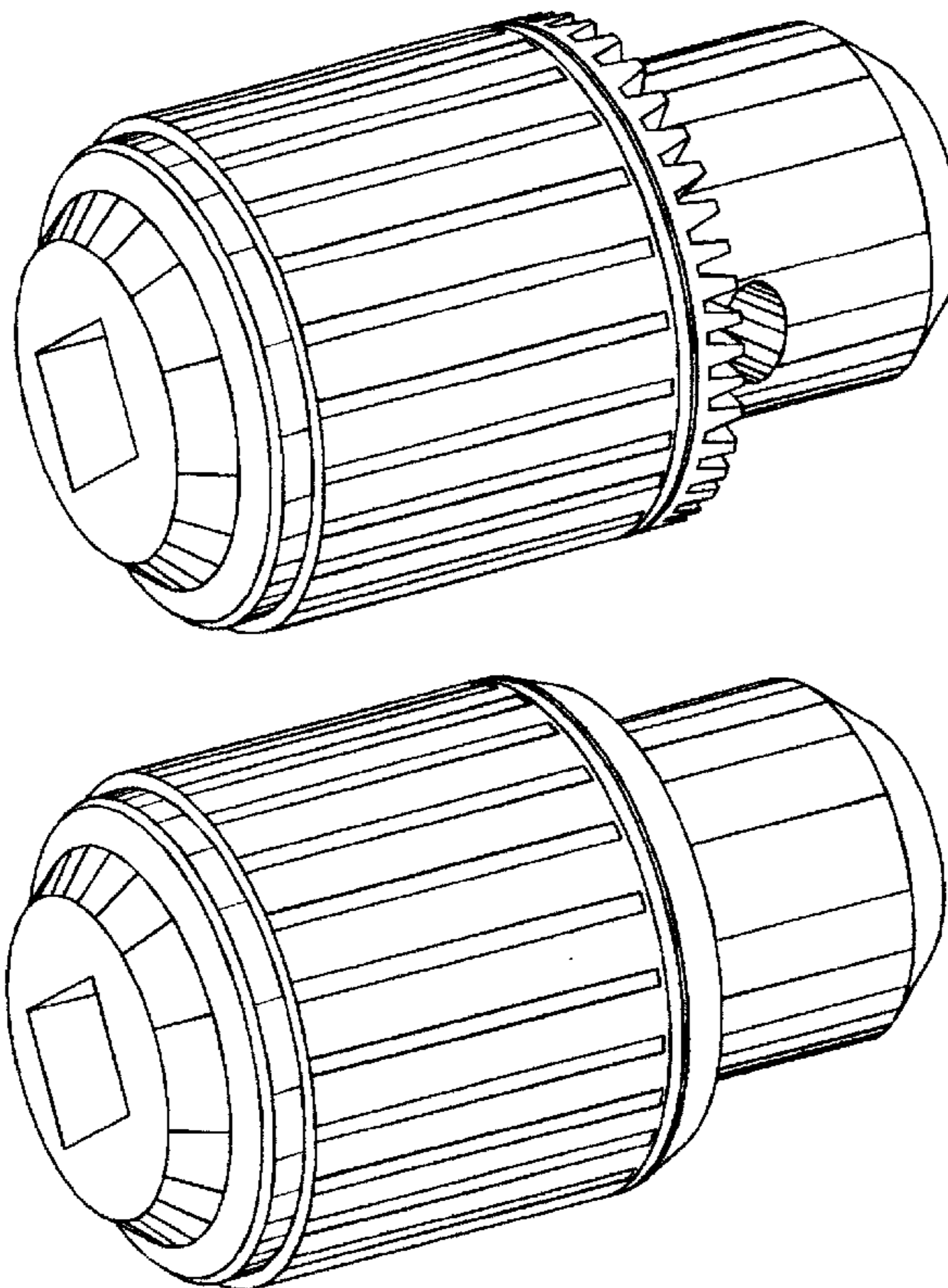


FIG. 1A

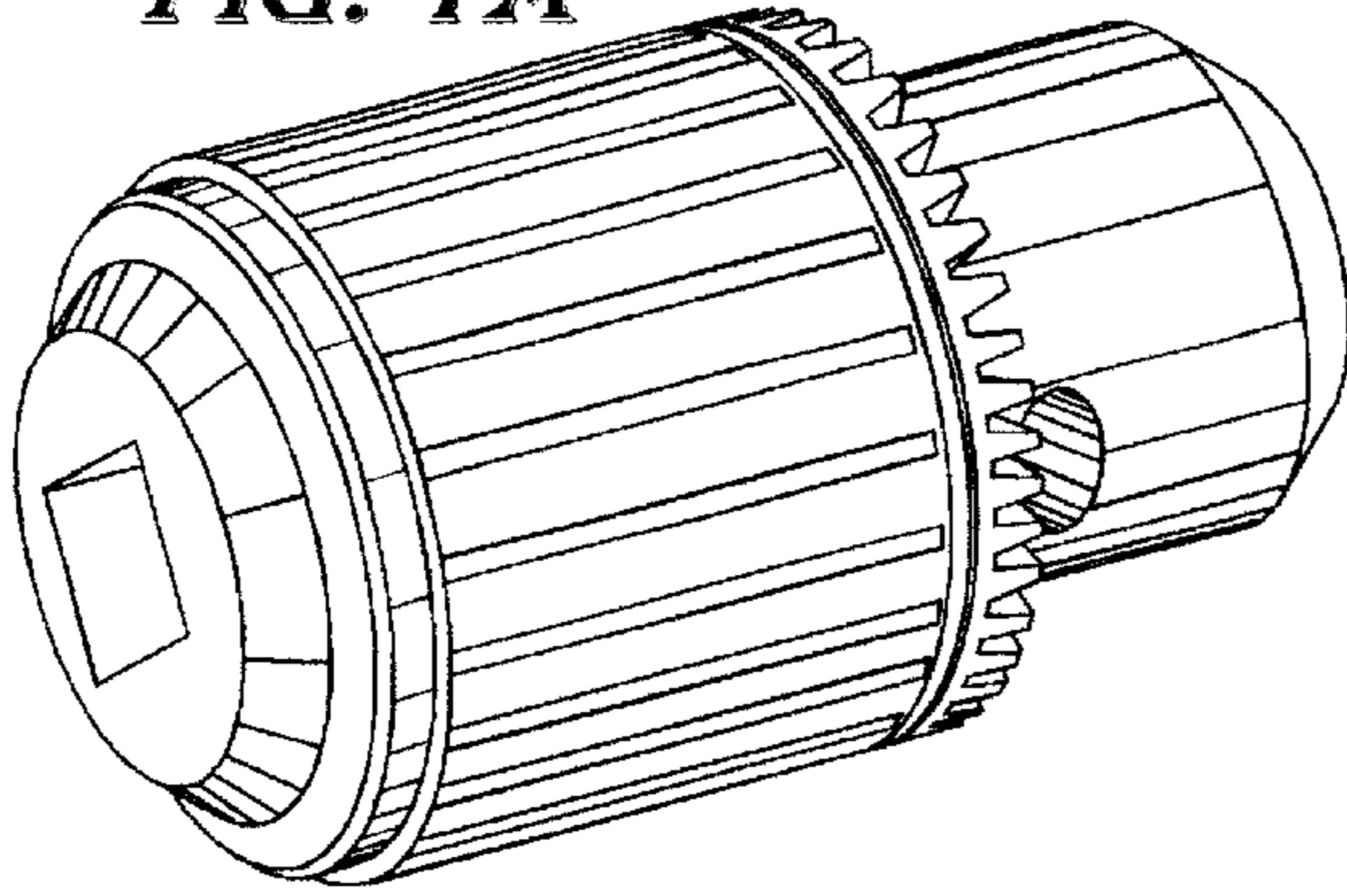


FIG. 2A

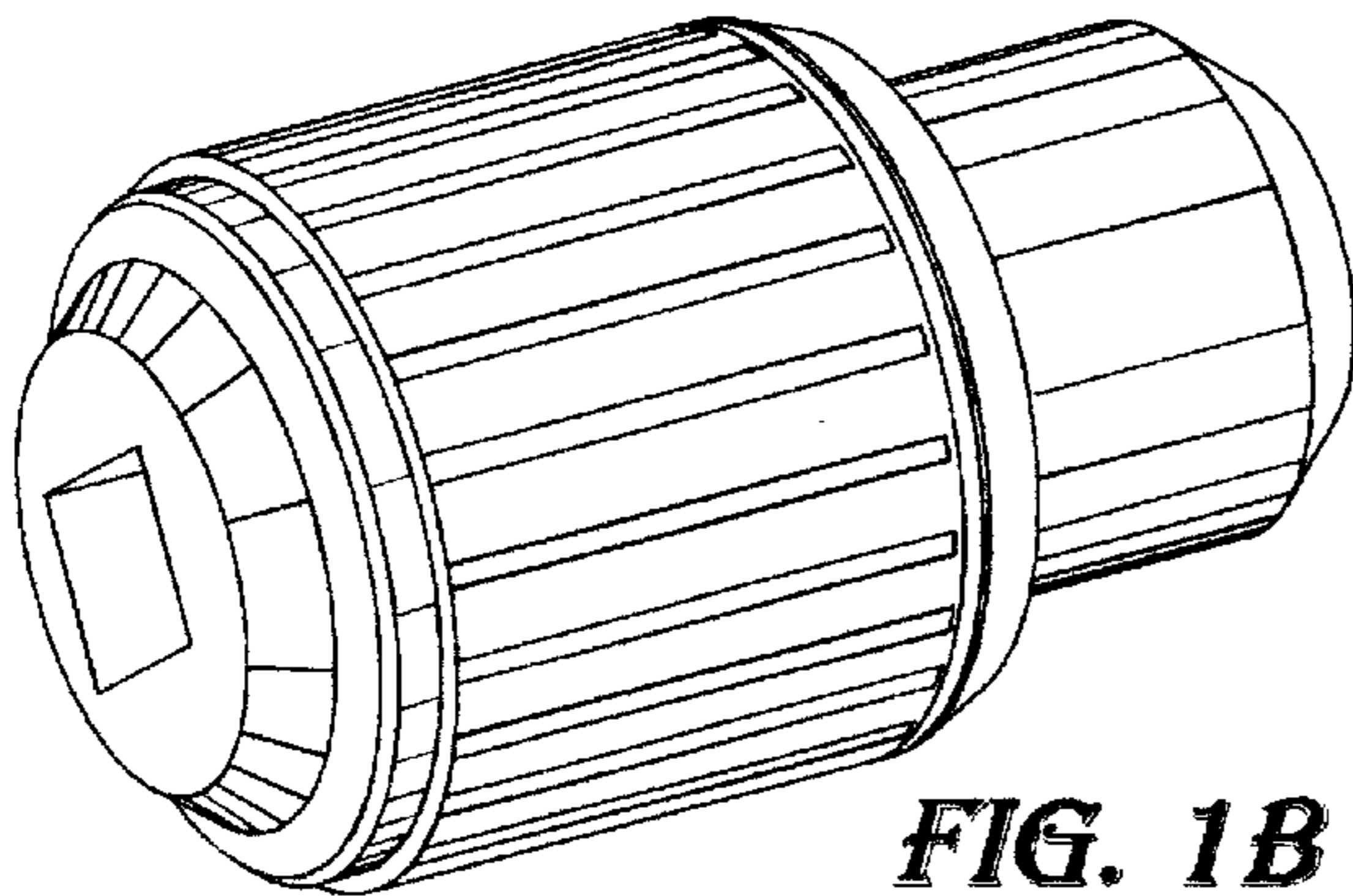
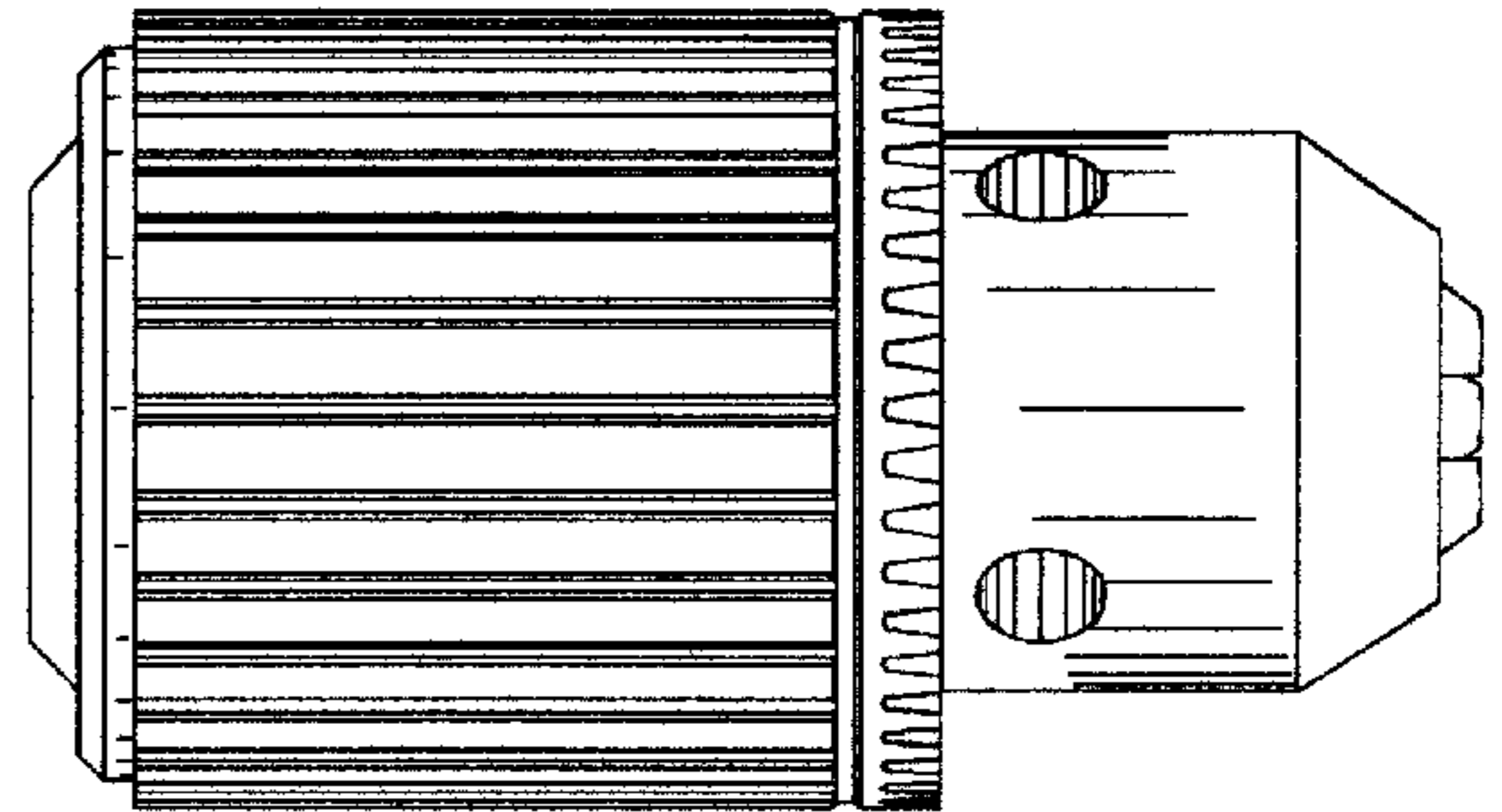


FIG. 2B

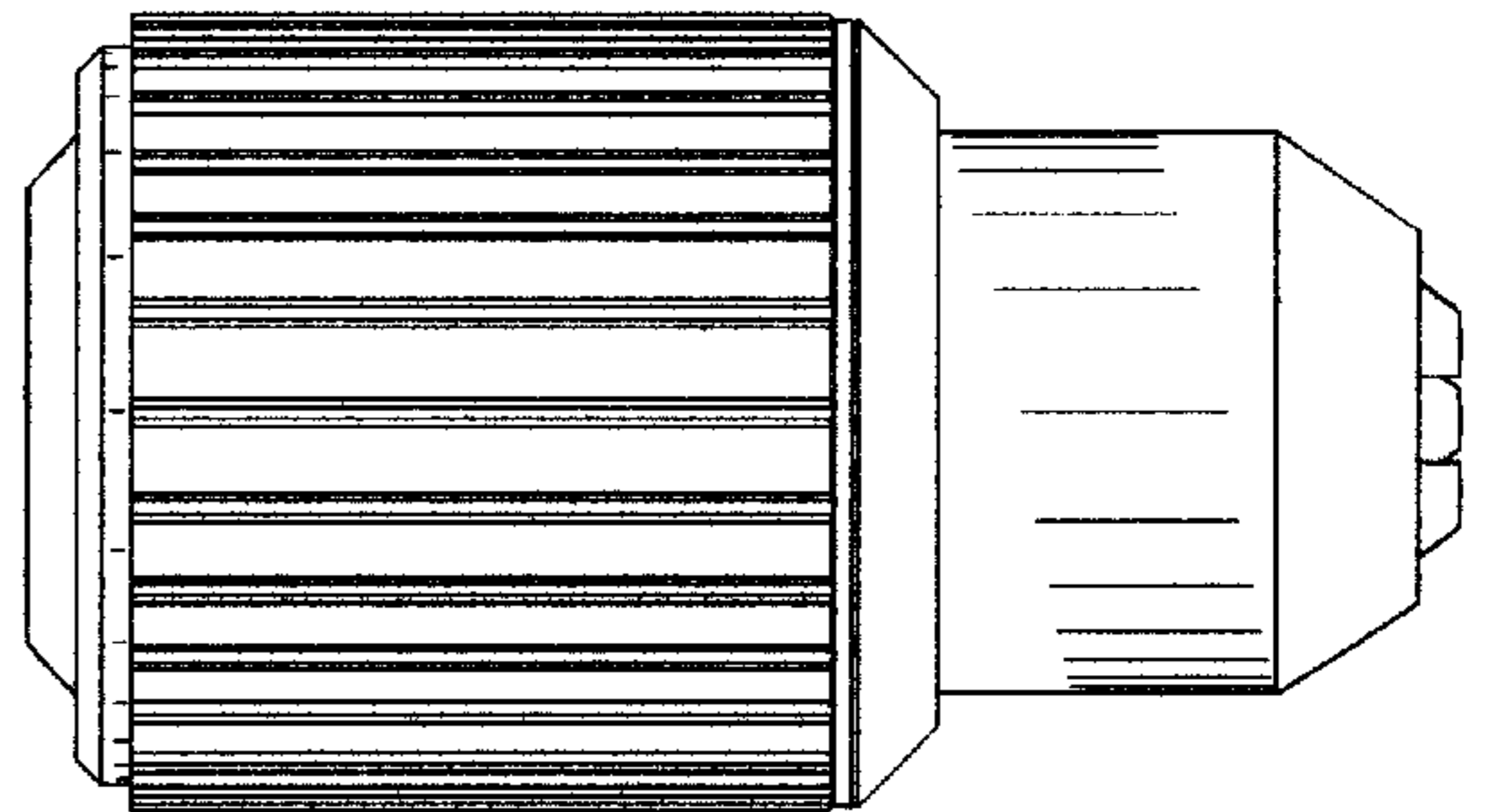


FIG. 1B

FIG. 3

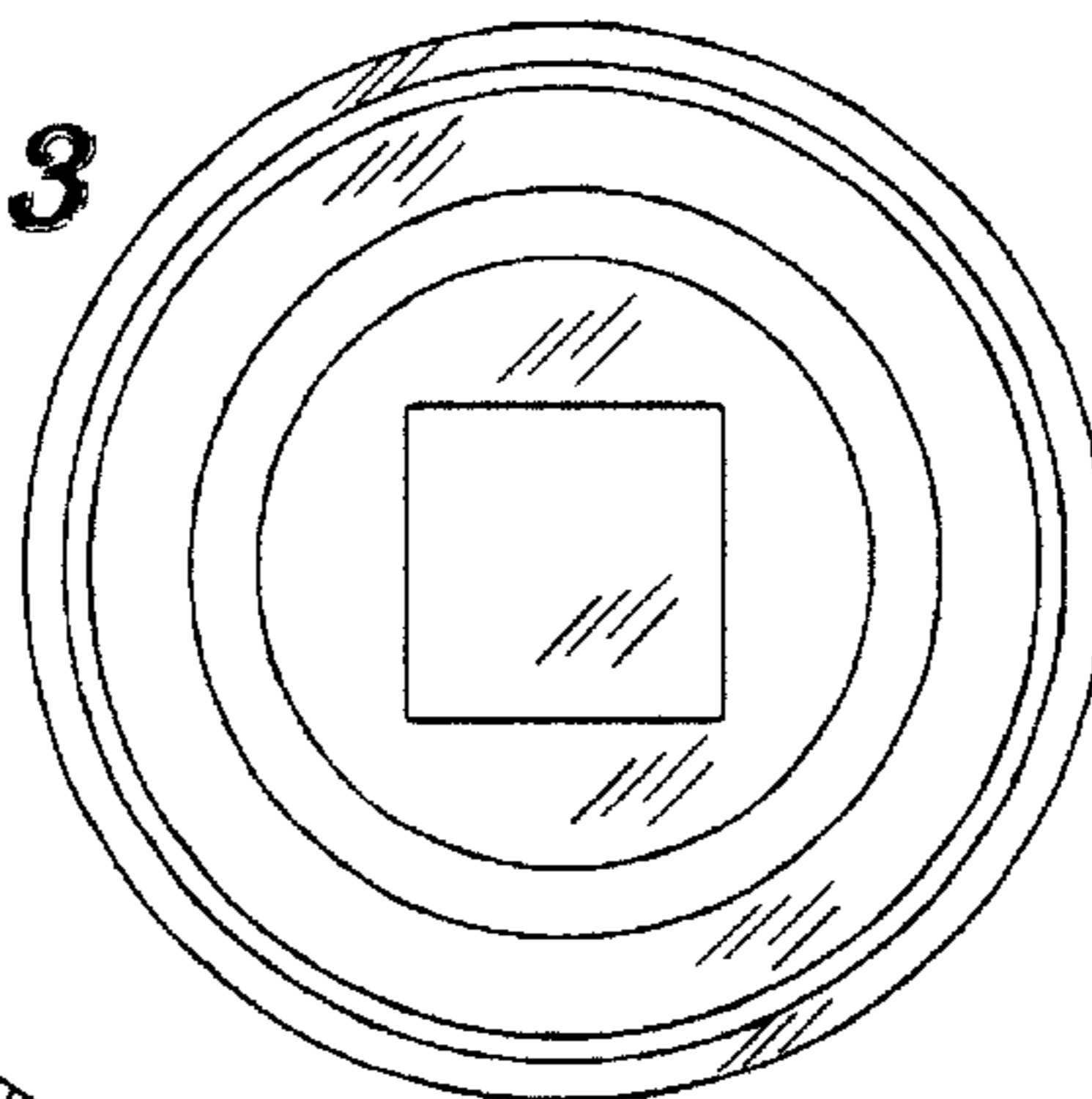


FIG. 4A

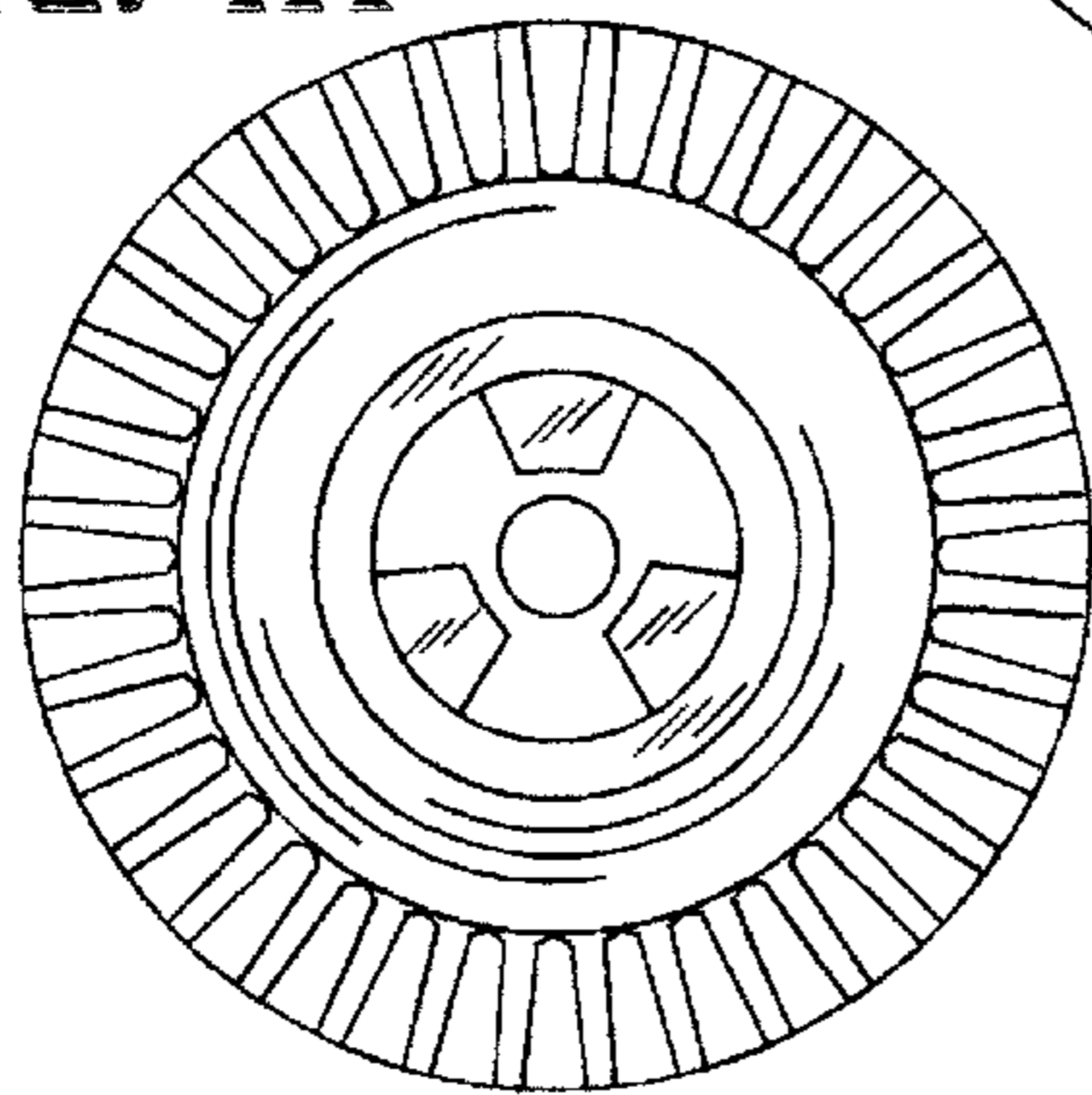


FIG. 4B

