



US00D489077S

(12) **United States Design Patent**  
**Bloch**

(10) **Patent No.:** **US D489,077 S**

(45) **Date of Patent:** **\*\* Apr. 27, 2004**

(54) **MACHINE TOOL HOUSING**

(75) Inventor: **Roman Bloch**, Halten (CH)

(73) Assignee: **Bystronic Laser AG**, Niederoenz (CH)

(\*\*) Term: **14 Years**

(21) Appl. No.: **29/169,989**

(22) Filed: **Oct. 29, 2002**

(30) **Foreign Application Priority Data**

Aug. 9, 2002 (CH) ..... 129014

(51) **LOC (7) Cl.** ..... **15-09**

(52) **U.S. Cl.** ..... **D15/127; D15/122**

(58) **Field of Search** ..... **D15/122, 127;**  
**82/117, 118, 133, 134, 138, 149, 152; 74/608;**  
**198/860.3; 210/400; 714/48; 709/207**

(56) **References Cited**

**U.S. PATENT DOCUMENTS**

D275,860 S \* 10/1984 Brown et al. .... D15/122 X  
5,960,690 A \* 10/1999 Romi ..... 82/133  
6,338,152 B1 \* 1/2002 Fera et al. .... 714/48

\* cited by examiner

*Primary Examiner*—Antoine Duval Davis  
(74) *Attorney, Agent, or Firm*—Schweitzer Cornman Gross & Bondell LLP

(57) **CLAIM**

The ornamental design for a machine tool housing, as shown and described.

**DESCRIPTION**

FIG. 1 is a front, right side perspective view of a machine tool housing having the design;  
FIG. 2 is a front elevation view thereof;  
FIG. 3 is a right side elevation view thereof;  
FIG. 4 is a left side elevation view thereof;  
FIG. 5 is a rear elevation view thereof;  
FIG. 6 is a top plan view thereof;  
FIG. 7 is a bottom plan view thereof;  
FIG. 8 is a front, right side perspective view thereof depicting sliding panels in an open position; and,  
FIG. 8A is a front, right side perspective view thereof depicting sliding panels in an open position, the specific construction of the machine tool assembly revealed thereby forming no part of the invention as claimed.

**1 Claim, 6 Drawing Sheets**

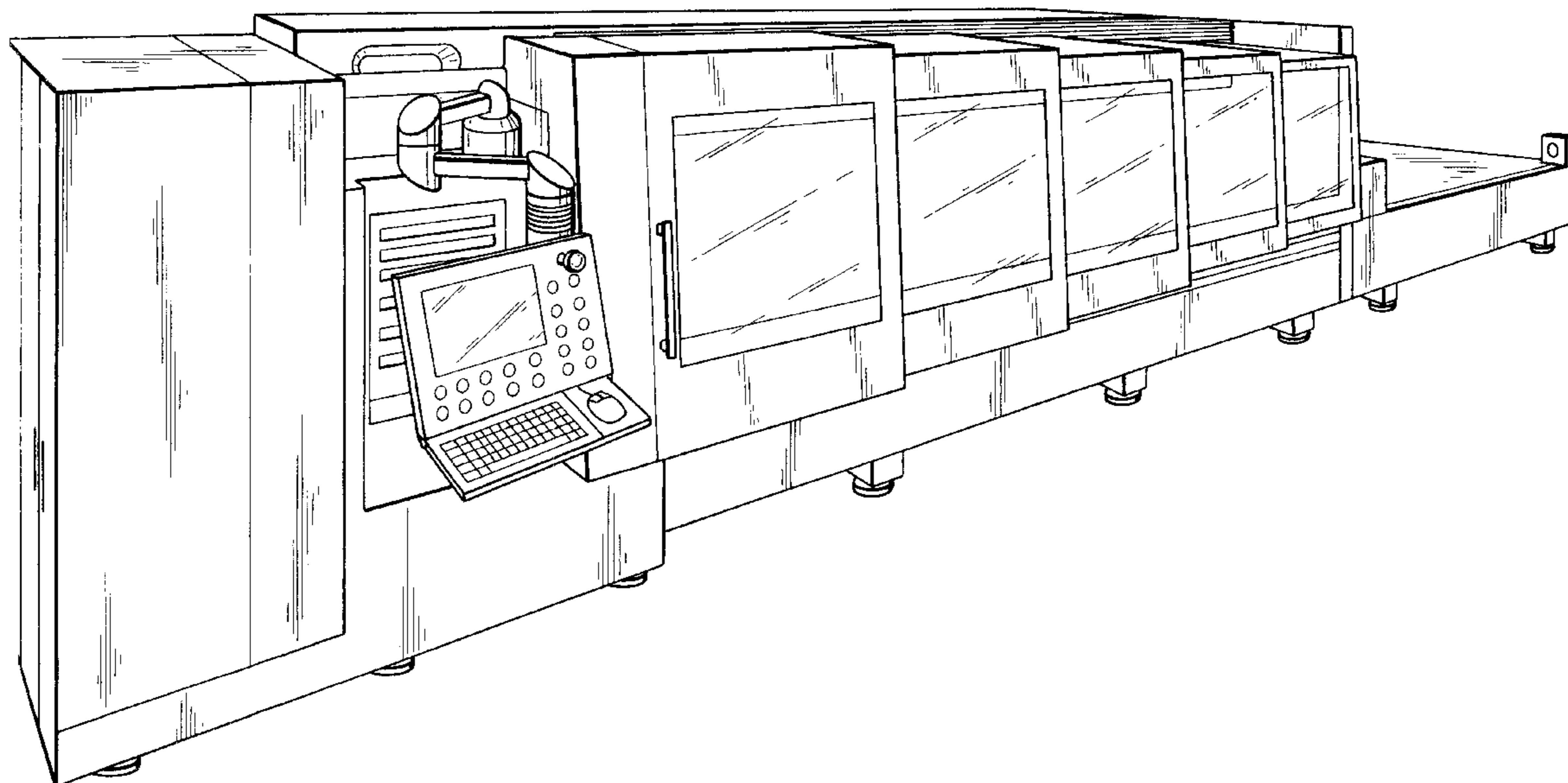
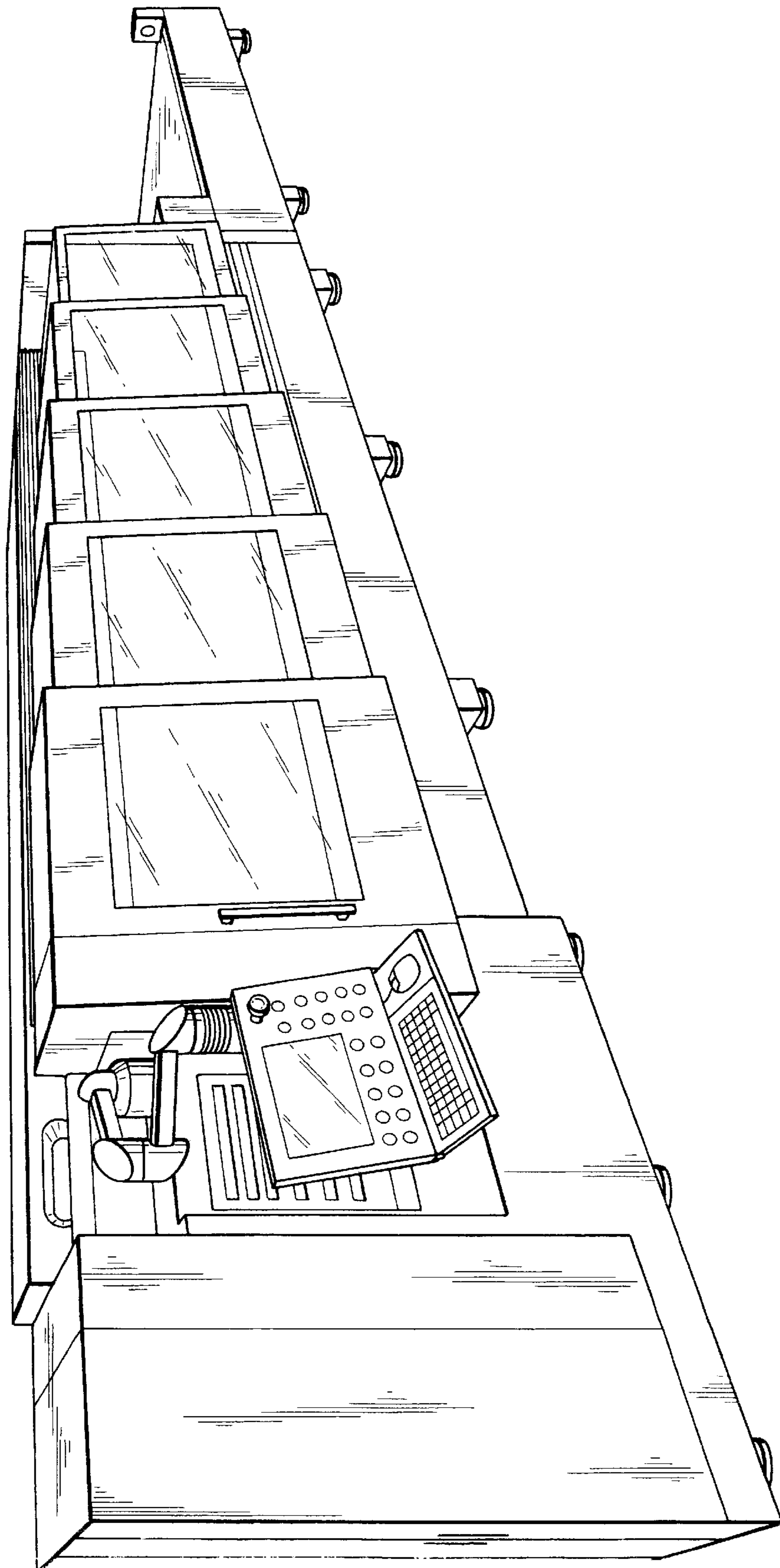


Fig. 1



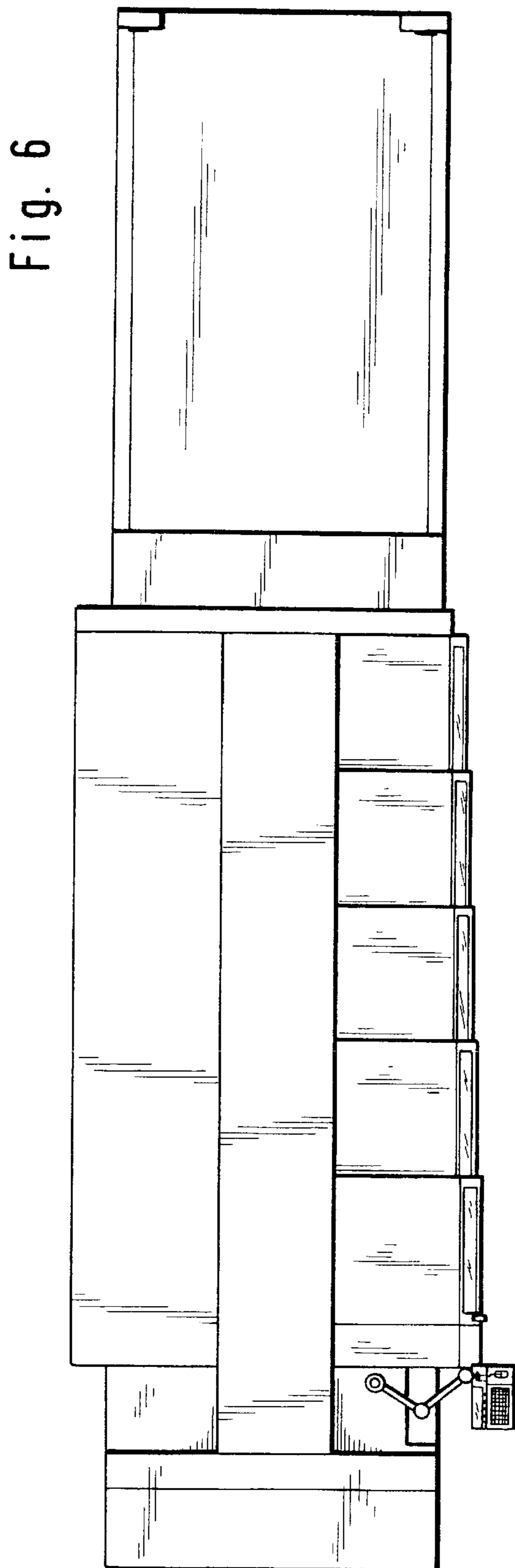
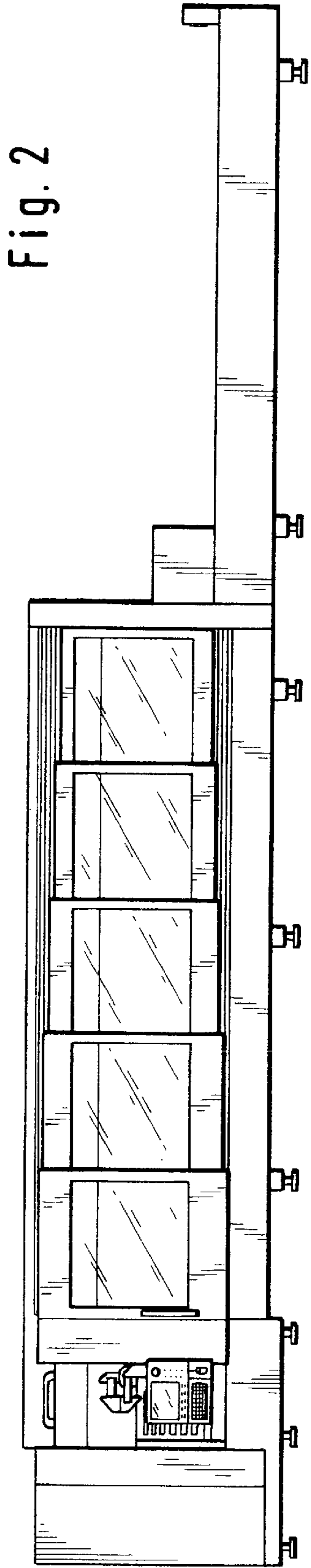


Fig. 4

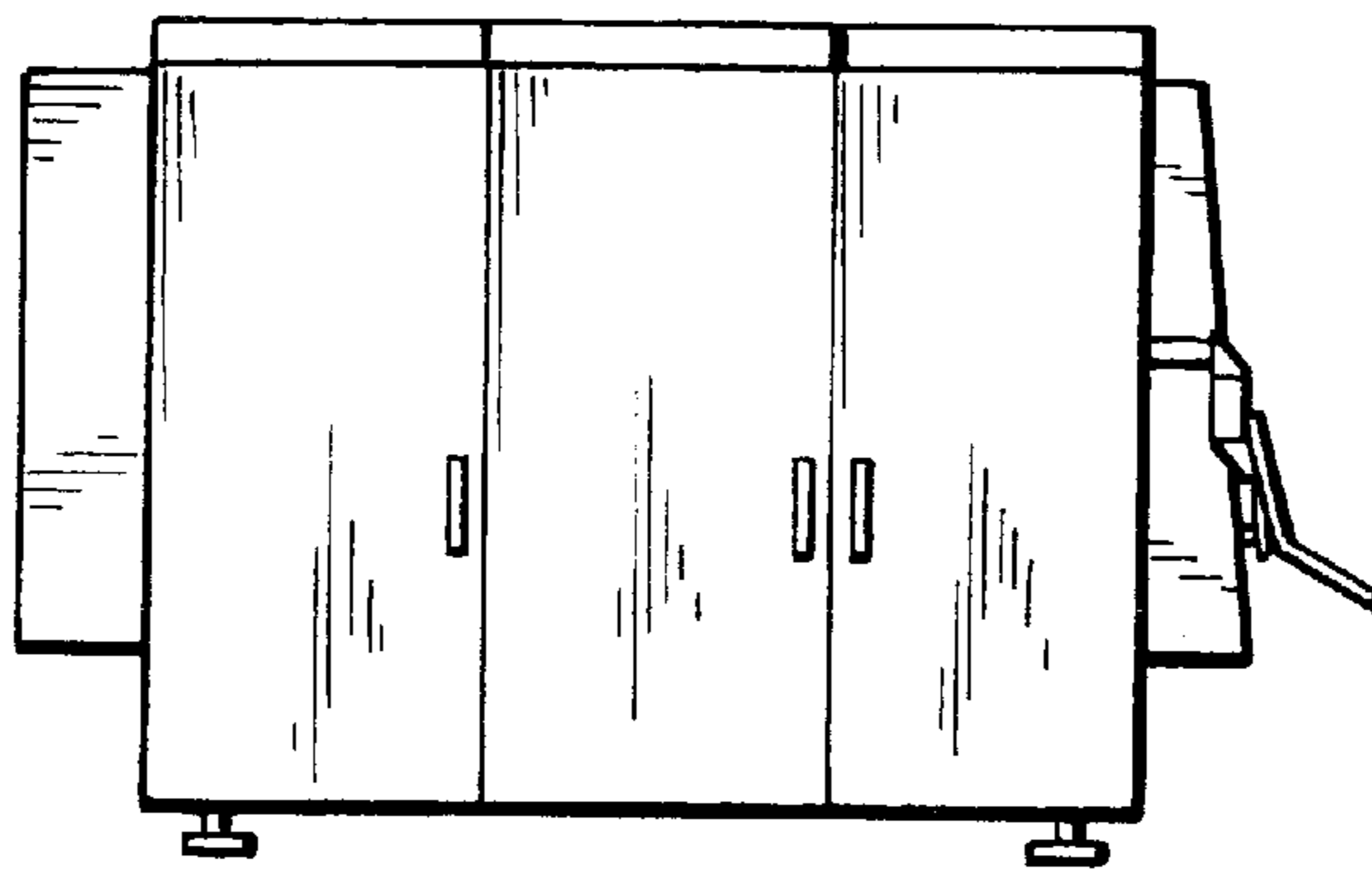


Fig. 3

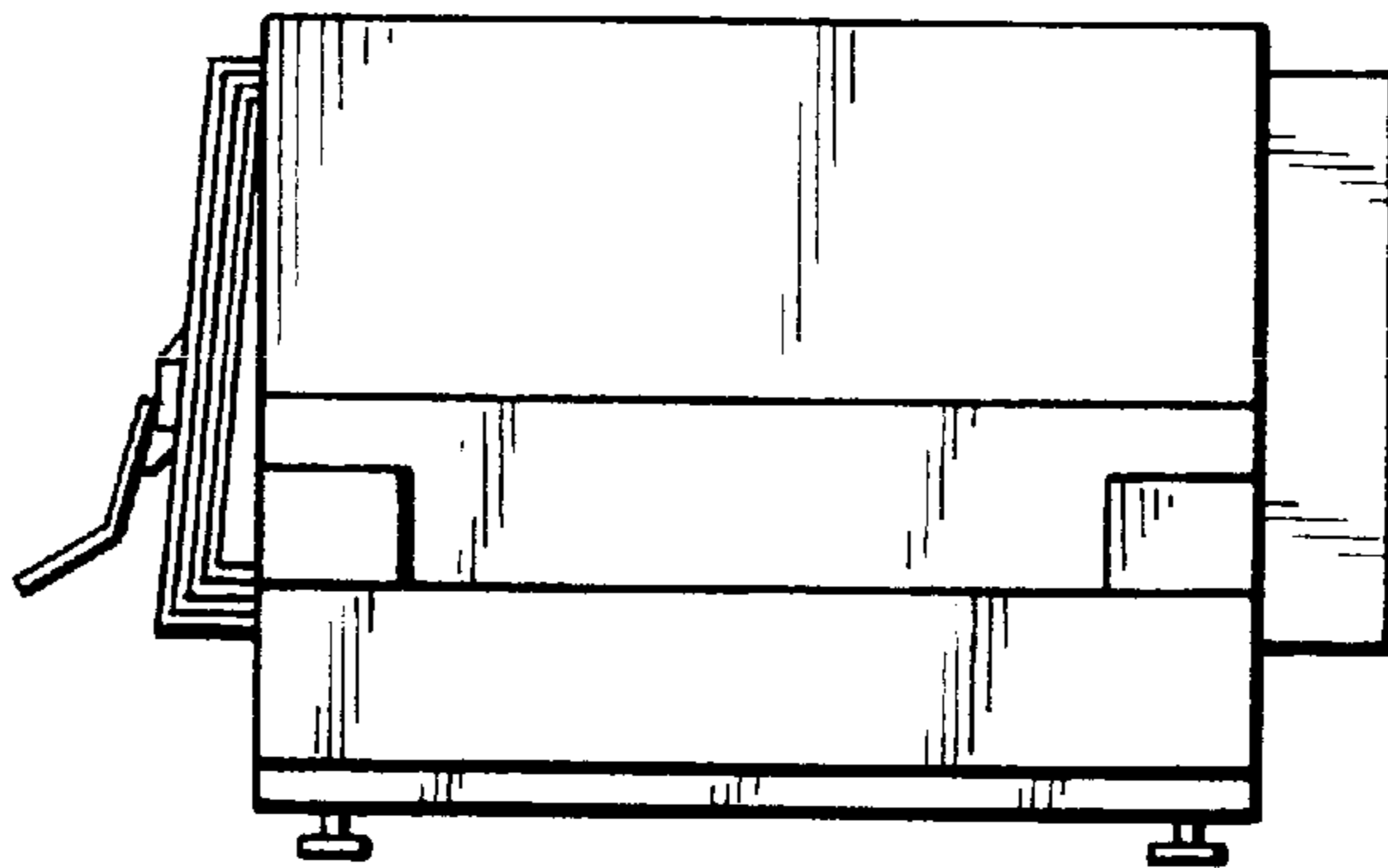


Fig. 7

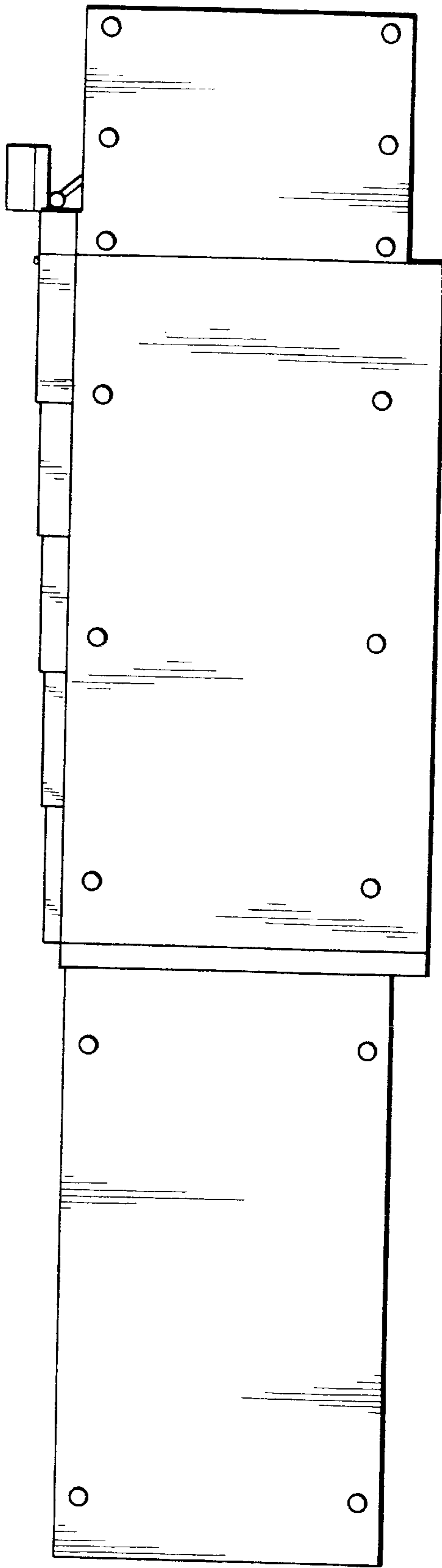


Fig. 5

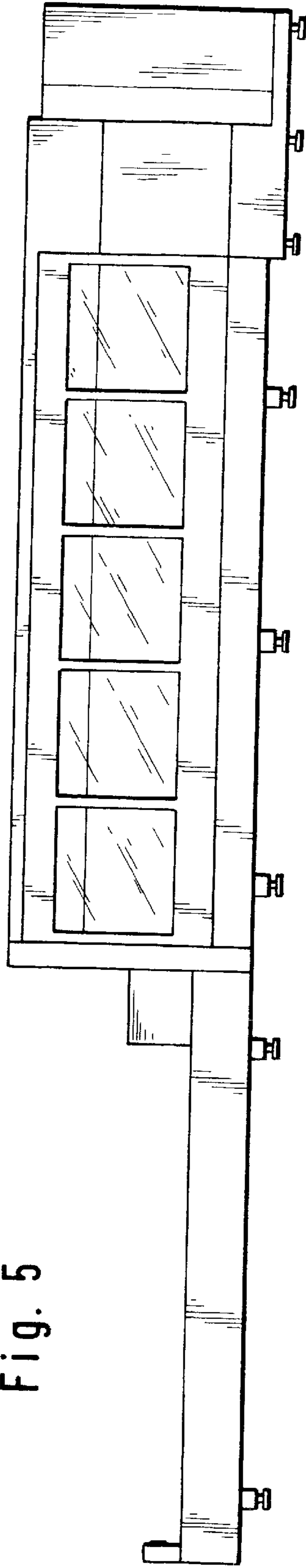


Fig. 8

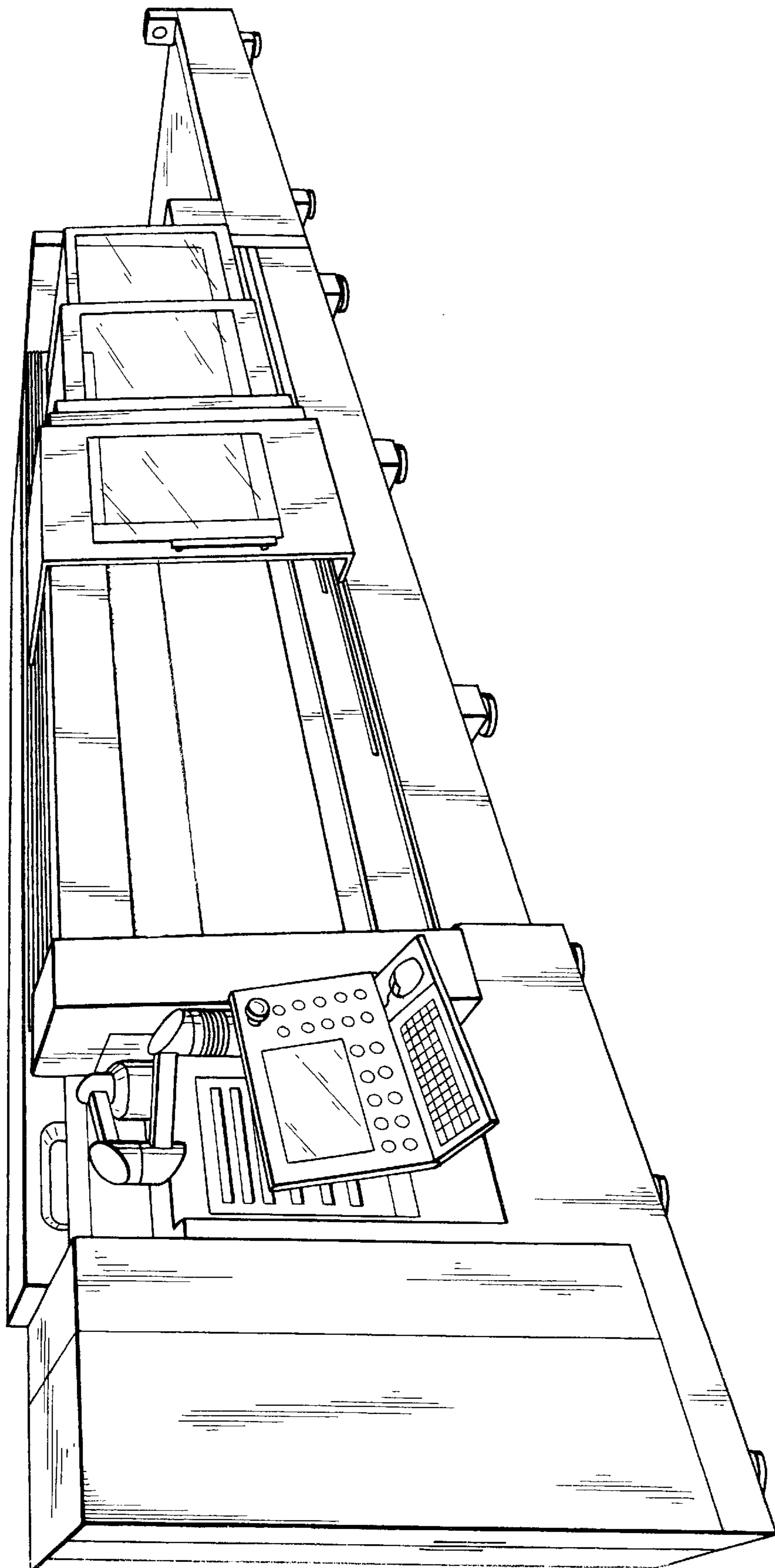


Fig. 8a

