



US00D489076S

(12) **United States Design Patent**  
**Hiraiwa et al.**

(10) **Patent No.:** **US D489,076 S**

(45) **Date of Patent:** **\*\* Apr. 27, 2004**

(54) **INTERNAL COMBUSTION ENGINE**

(75) Inventors: **Akira Hiraiwa**, Osaka (JP); **Kenta Saitou**, Osaka (JP); **Atsushi Yoshimura**, Osaka (JP)

(73) Assignee: **Yanmar Co., Ltd.** (JP)

(\*\*) Term: **14 Years**

(21) Appl. No.: **29/171,330**

(22) Filed: **Nov. 21, 2002**

(30) **Foreign Application Priority Data**

May 29, 2002 (JP) ..... 2002-014379

(51) **LOC (7) Cl.** ..... **15-01**

(52) **U.S. Cl.** ..... **D15/1**

(58) **Field of Search** ..... D15/1-5; 123/50 A,  
123/156 BA, 198 E, 308, 667; 46/36, 78,  
249

(56) **References Cited**

**U.S. PATENT DOCUMENTS**

- D398,010 S \* 9/1998 Yoshida et al. .... D15/1
- D471,560 S \* 3/2003 Davis ..... D15/1
- D473,241 S \* 4/2003 Ito ..... D15/1

D482,045 S \* 11/2003 Iwata et al. .... D15/1

\* cited by examiner

*Primary Examiner*—Melody N. Brown

(74) *Attorney, Agent, or Firm*—Banner & Witcoff, Ltd.

(57) **CLAIM**

The ornamental design for an internal combustion engine, as shown and described.

**DESCRIPTION**

FIG. 1 is a front view showing an internal combustion engine according to the present invention;

FIG. 2 is a rear view showing the internal combustion engine of FIG. 1;

FIG. 3 is a top plan view showing the internal combustion engine of FIG. 1;

FIG. 4 is a bottom plan view showing the internal combustion engine of FIG. 1;

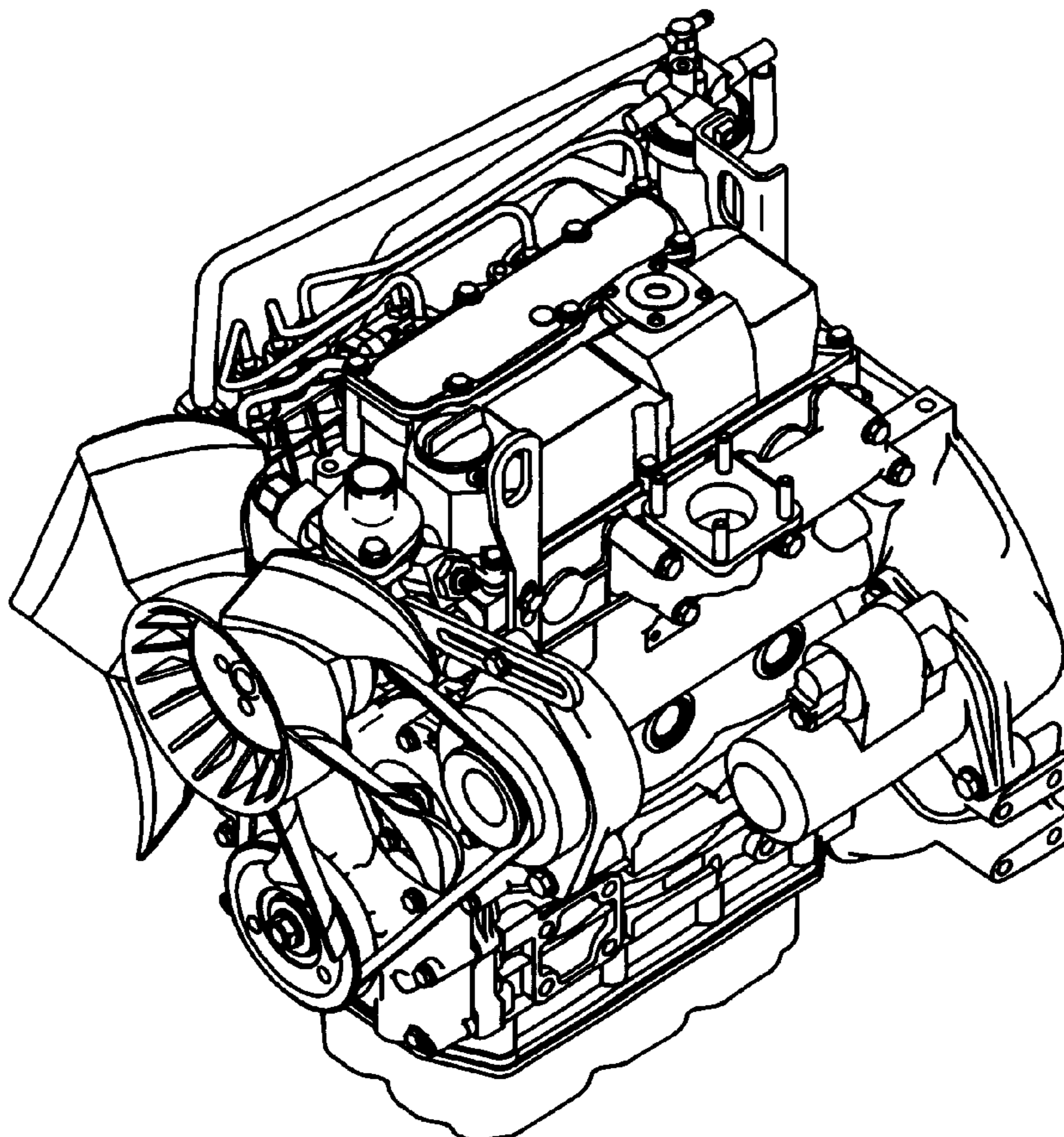
FIG. 5 is a right side view showing the internal combustion engine of FIG. 1;

FIG. 6 is a left side view showing the internal combustion engine of FIG. 1;

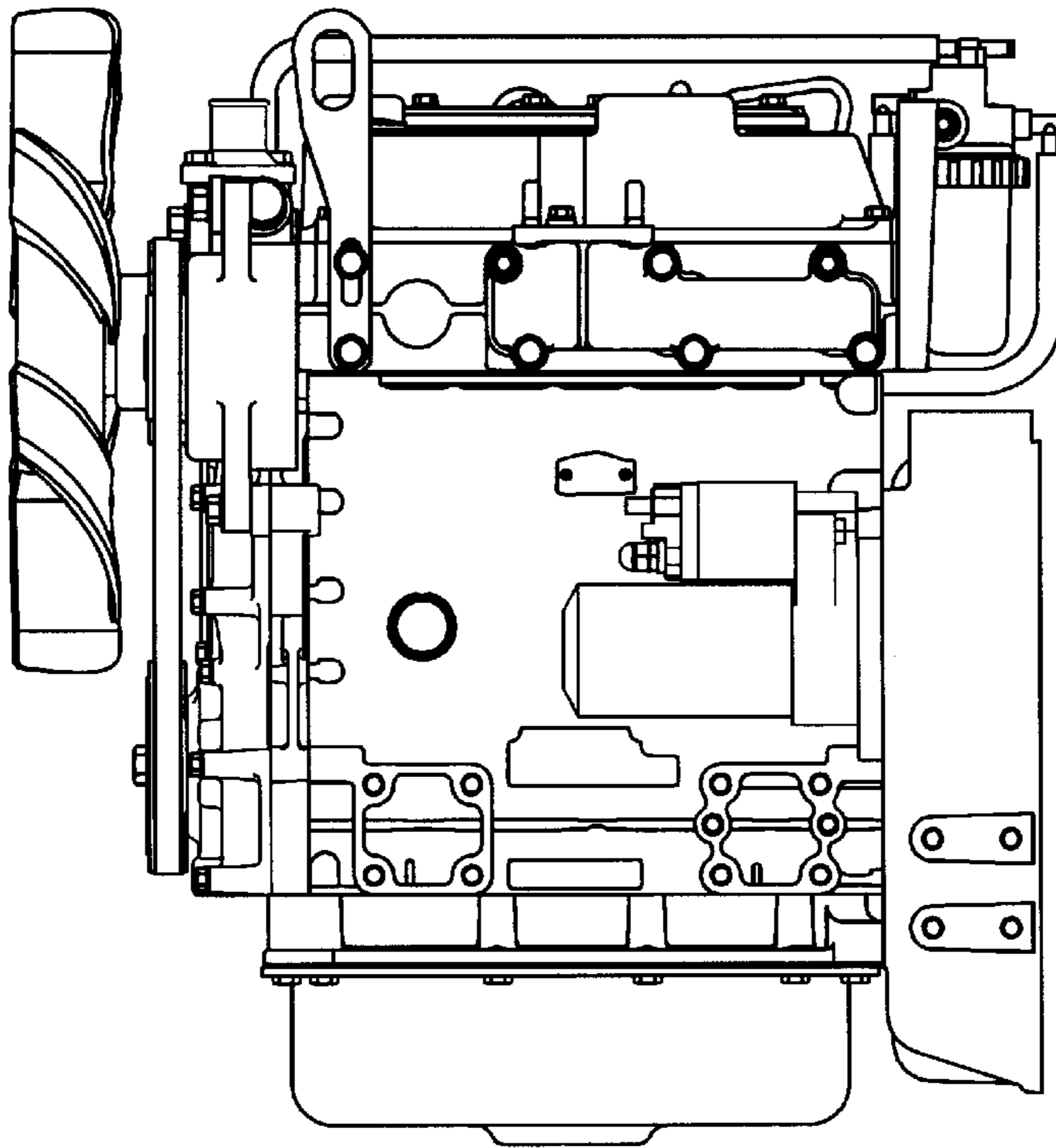
FIG. 7 is a front perspective view showing the internal combustion engine of FIG. 1; and,

FIG. 8 is a rear perspective view showing the internal combustion engine of FIG. 1.

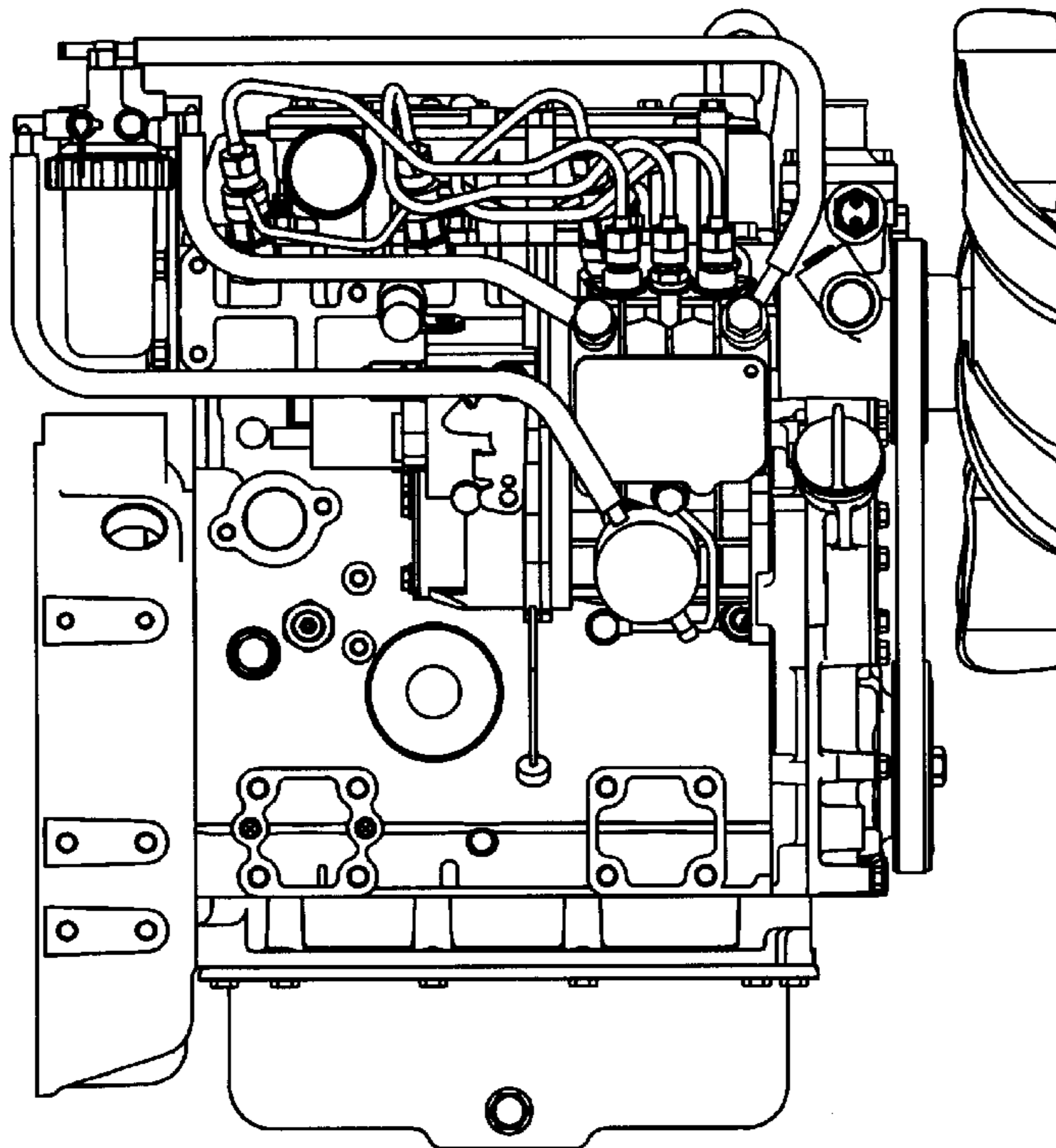
**1 Claim, 4 Drawing Sheets**



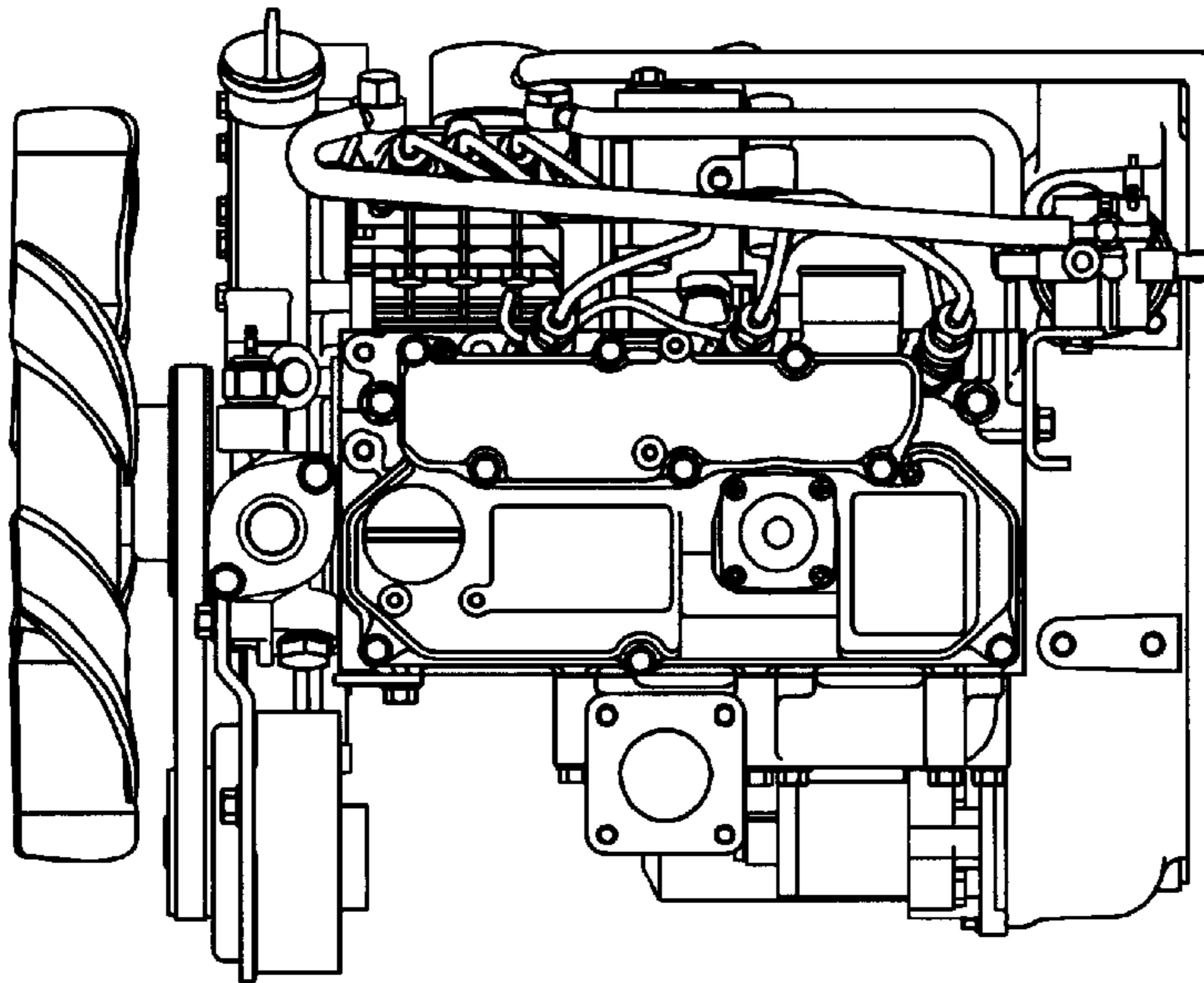
**Fig. 1**



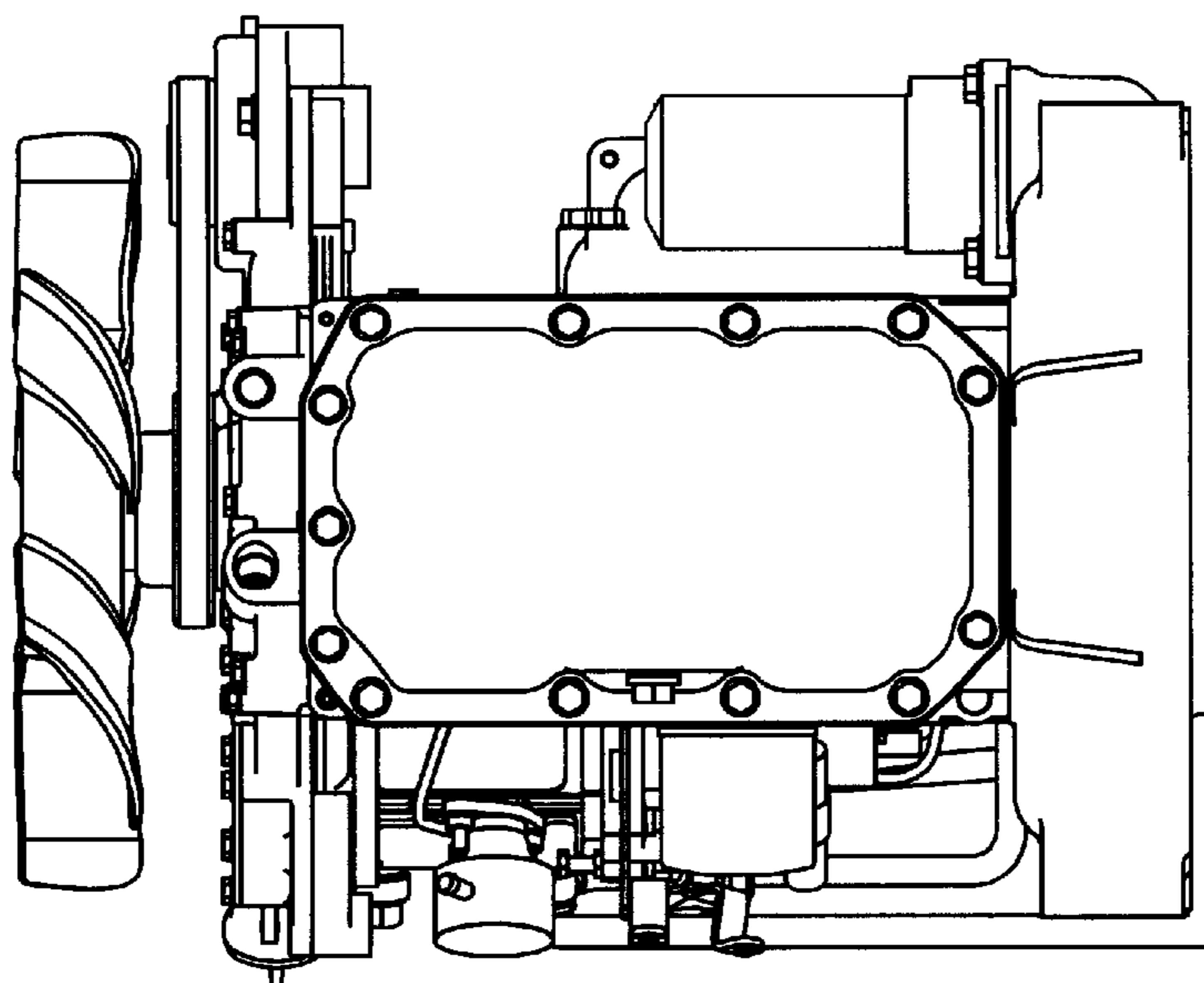
**Fig. 2**



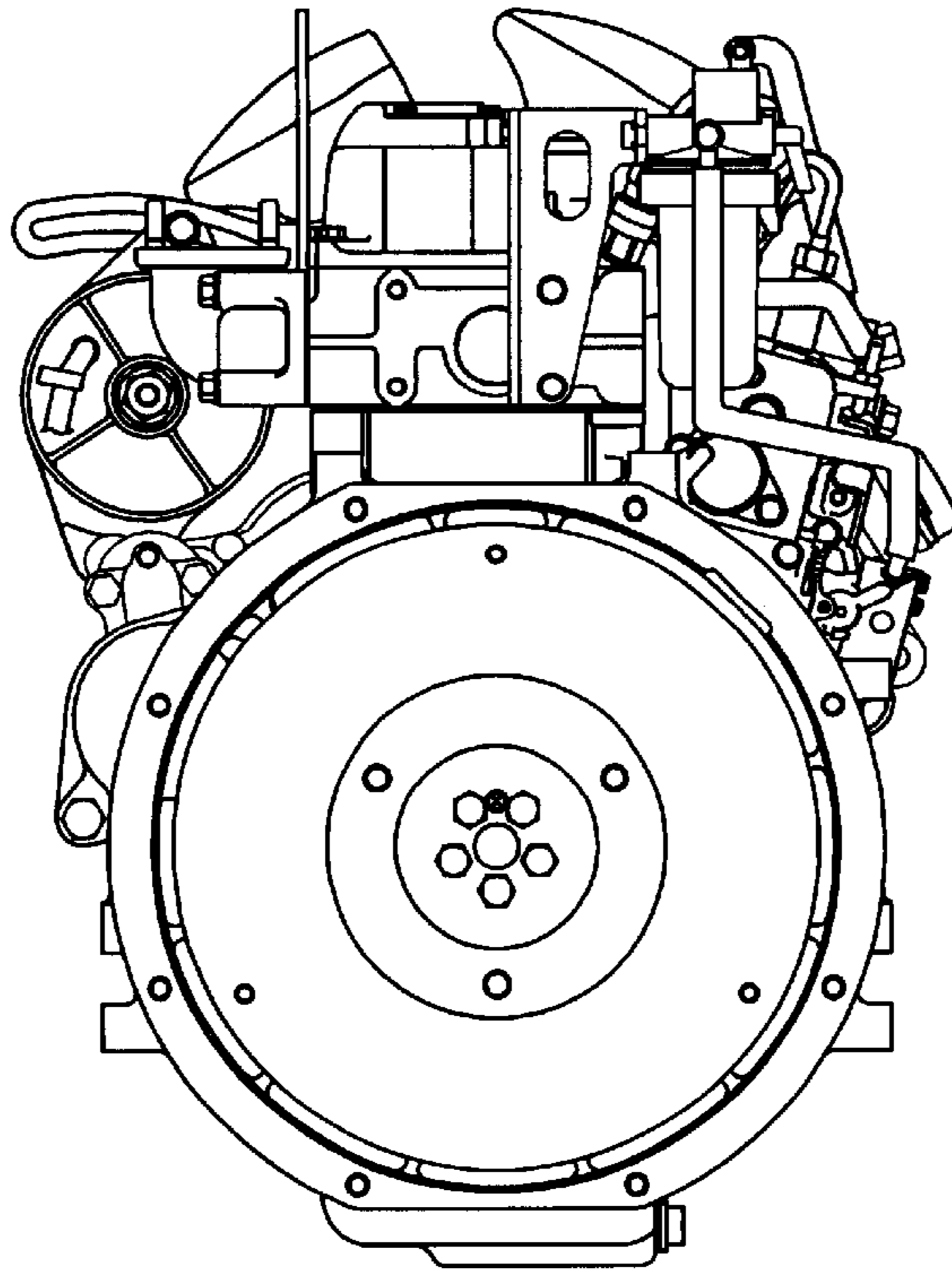
**Fig. 3**



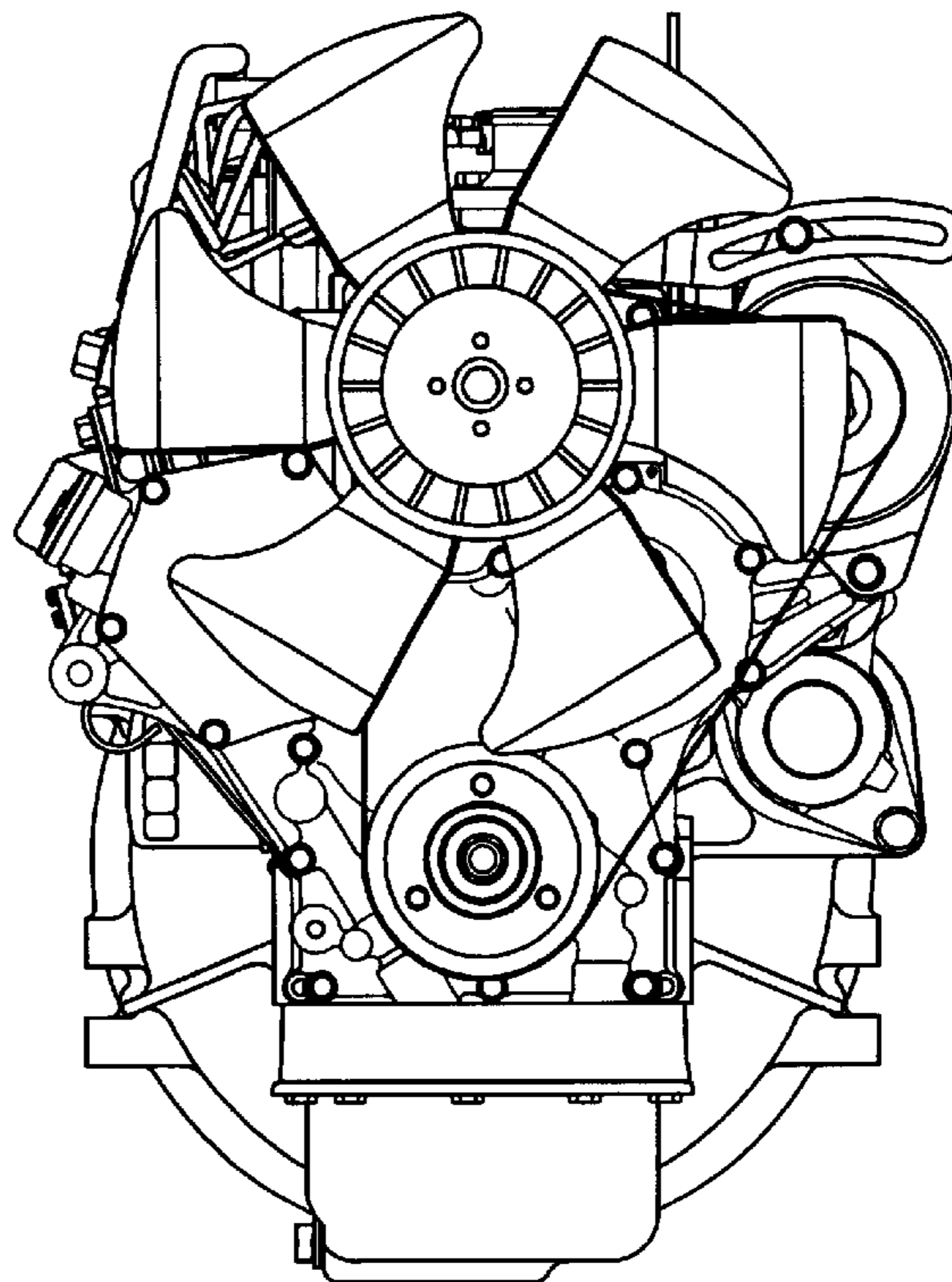
**Fig. 4**



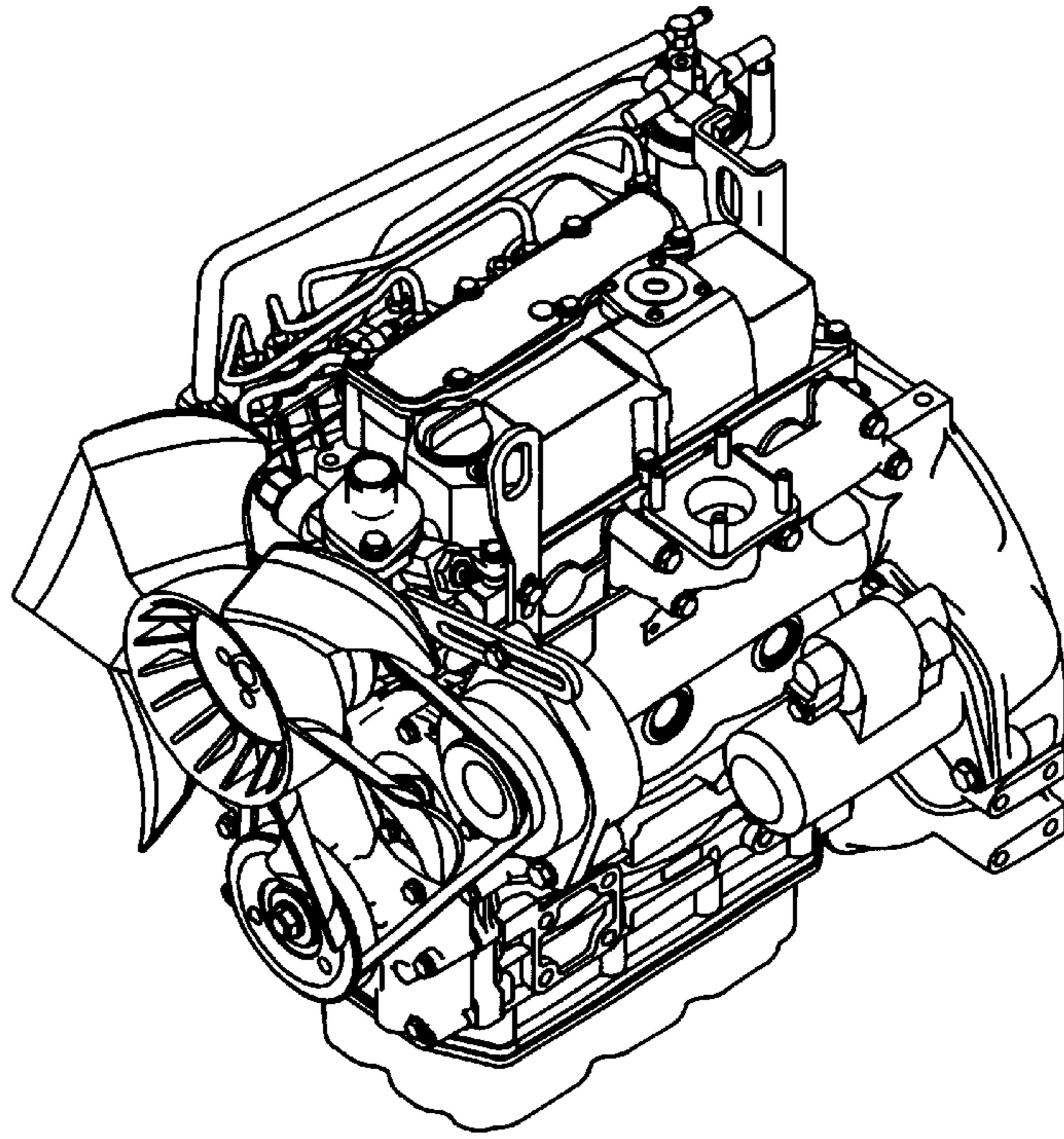
**Fig. 5**



**Fig. 6**



**Fig. 7**



**Fig. 8**

