



US00D489070S

(12) **United States Design Patent**  
**Chatterjee**

(10) **Patent No.:** **US D489,070 S**

(45) **Date of Patent:** **\*\* Apr. 27, 2004**

(54) **HOUSING FOR A WIRELESS ADAPTER**

(75) Inventor: **Monique Chatterjee**, Seattle, WA (US)

(73) Assignee: **Microsoft Corporation**, Redmond, WA (US)

(\*\*) Term: **14 Years**

(21) Appl. No.: **29/191,049**

(22) Filed: **Oct. 2, 2003**

(51) **LOC (7) Cl.** ..... **14-02**

(52) **U.S. Cl.** ..... **D14/433; D14/240**

(58) **Field of Search** ..... D14/432, 433,  
D14/434, 240, 242, 358; 320/110-115;  
D13/147, 184; 455/337, 347, 561; 361/724,  
752, 802; 439/638

(56) **References Cited**

**U.S. PATENT DOCUMENTS**

- D415,164 S \* 10/1999 Hadar ..... D14/240
- D429,238 S \* 8/2000 Kolinen ..... D14/240
- D430,147 S \* 8/2000 Willkens et al. .... D14/240
- D452,495 S \* 12/2001 Murnaghan et al. .... D14/242

- D454,130 S \* 3/2002 Do et al. .... D14/433
- D460,452 S \* 7/2002 Yoshie ..... D14/358
- 6,544,075 B1 \* 4/2003 Liao ..... 439/638

\* cited by examiner

*Primary Examiner*—Kay H. Chin

(74) *Attorney, Agent, or Firm*—Banner & Witcoff, Ltd.

(57) **CLAIM**

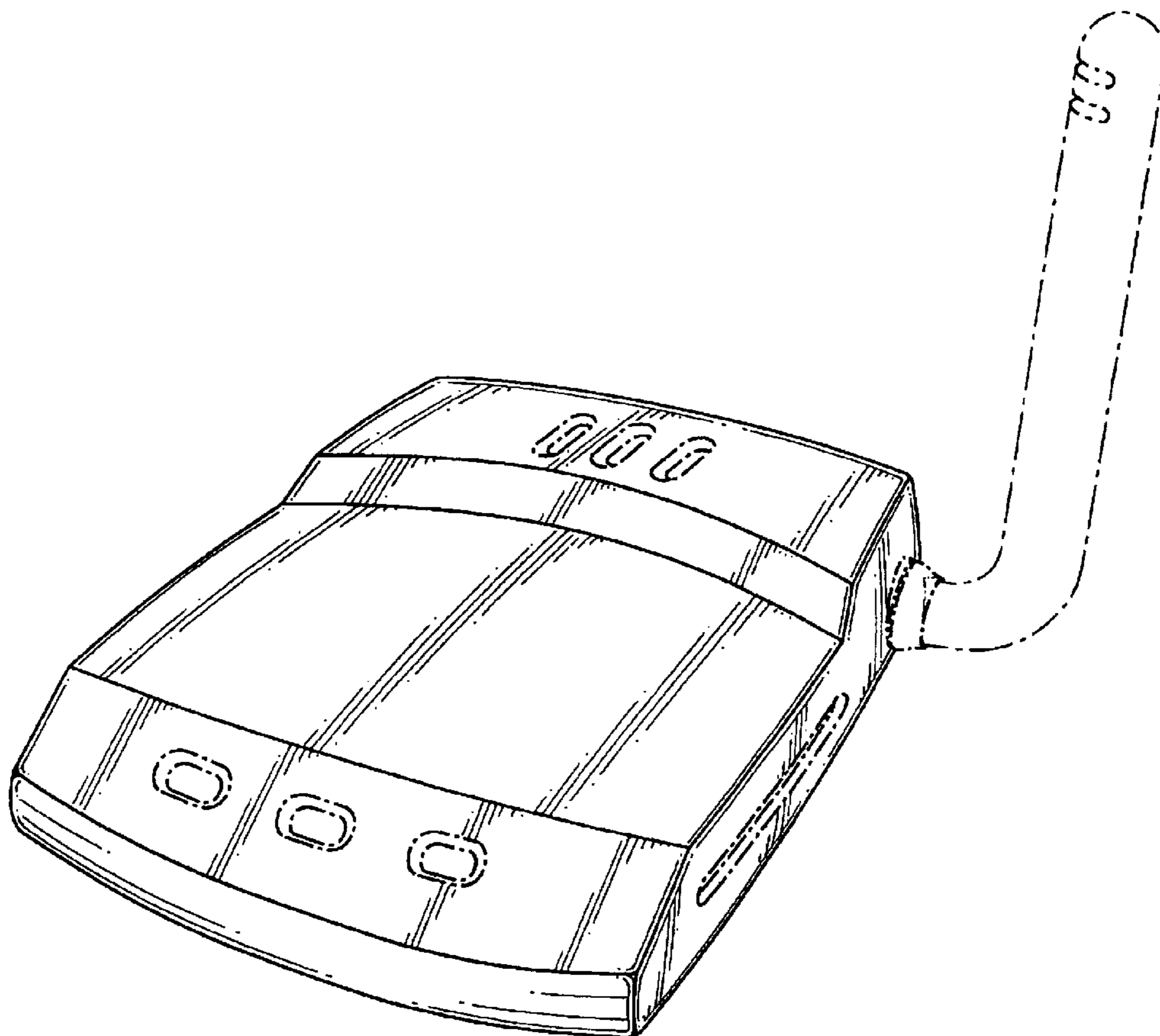
The ornamental design for a housing for a wireless adapter, as shown and described.

**DESCRIPTION**

FIG. 1 is a perspective view of a housing for a wireless adapter showing my new design; FIG. 2 is a left side view thereof; FIG. 3 is a right side view thereof; FIG. 4 is a top view thereof; and, FIG. 5 is a front view thereof.

The broken line showing of various features is for illustrative purposes only and forms no part of the claimed design. The unshown bottom and rear surfaces of the housing form no part of the claimed design.

**1 Claim, 5 Drawing Sheets**



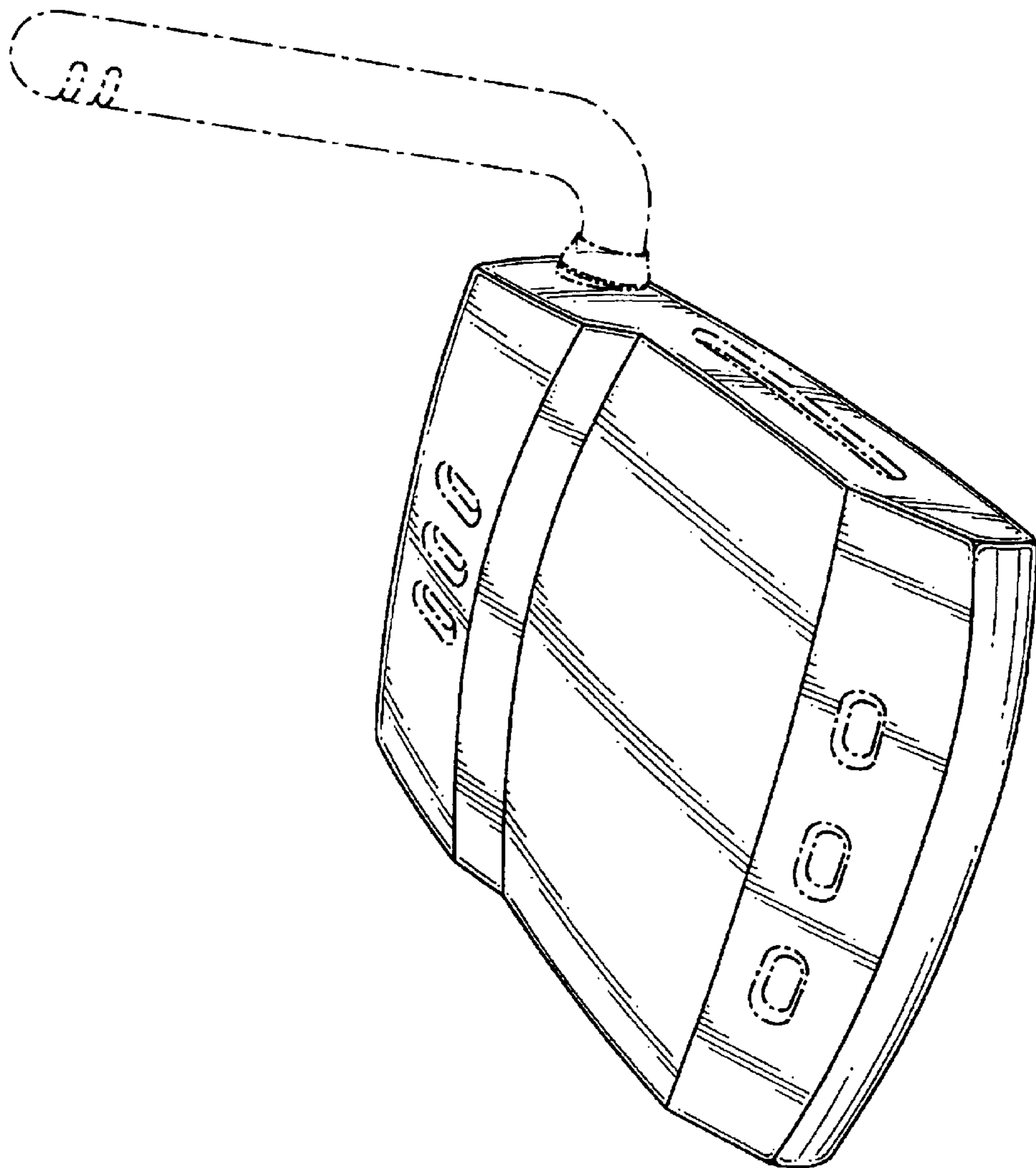
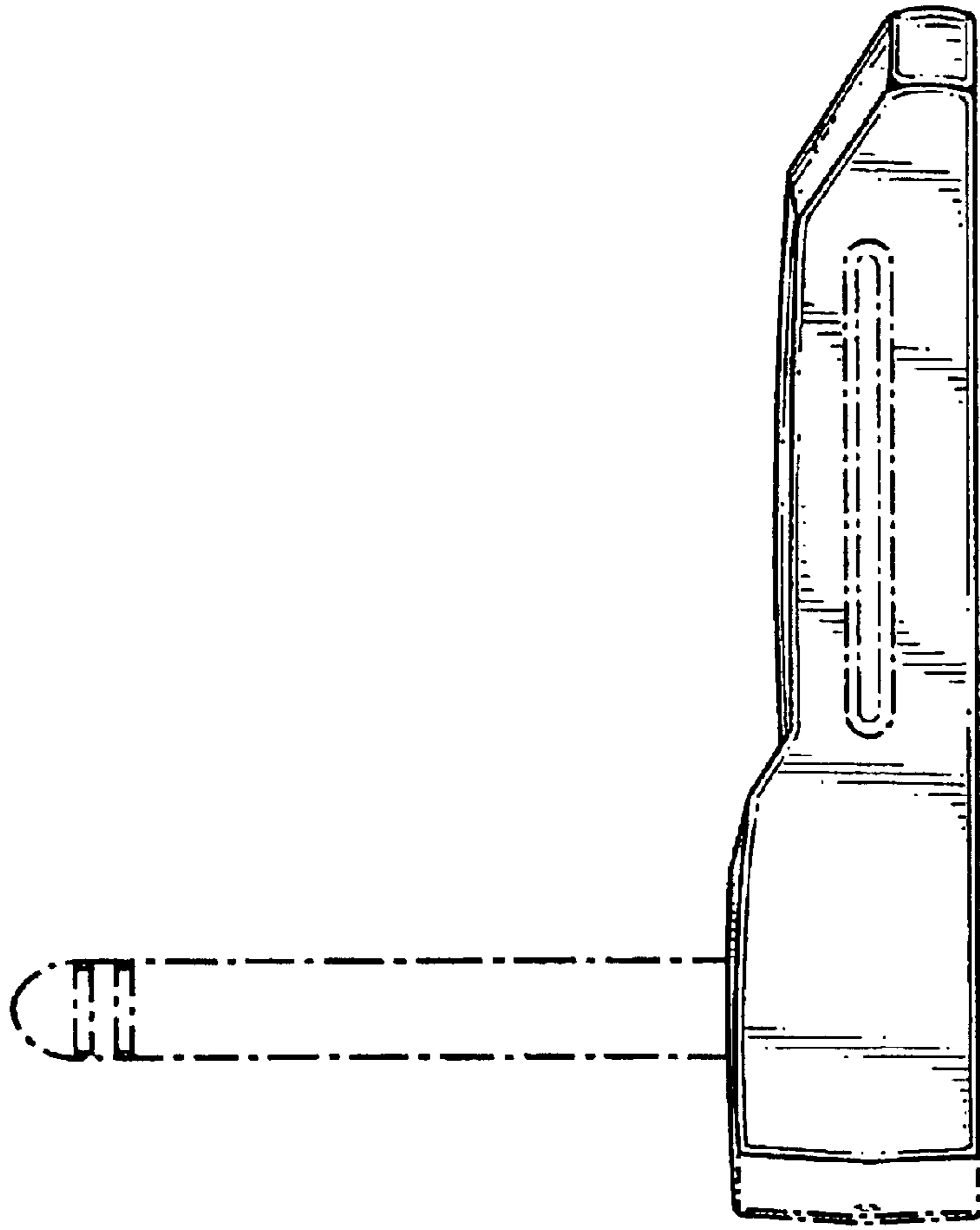
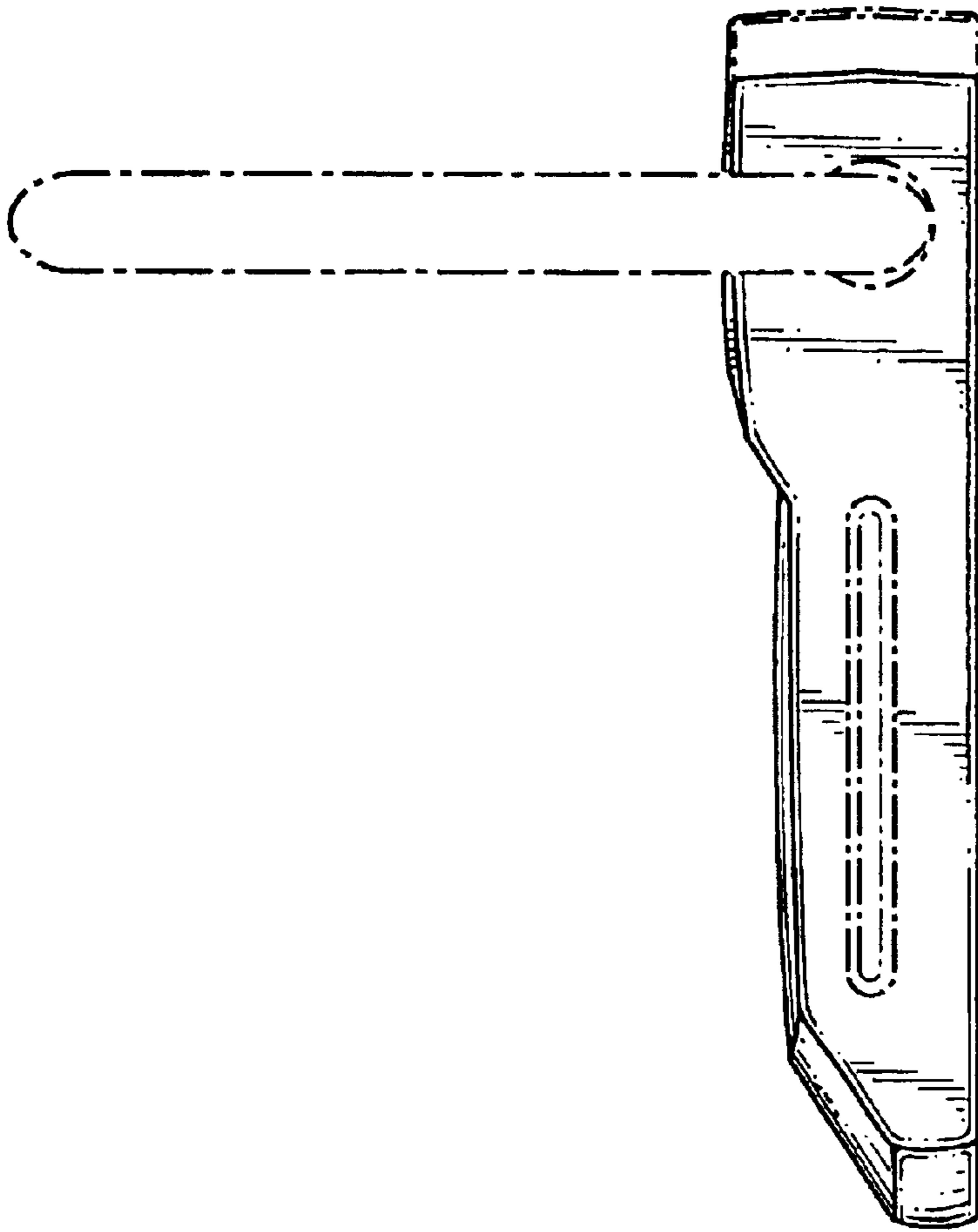


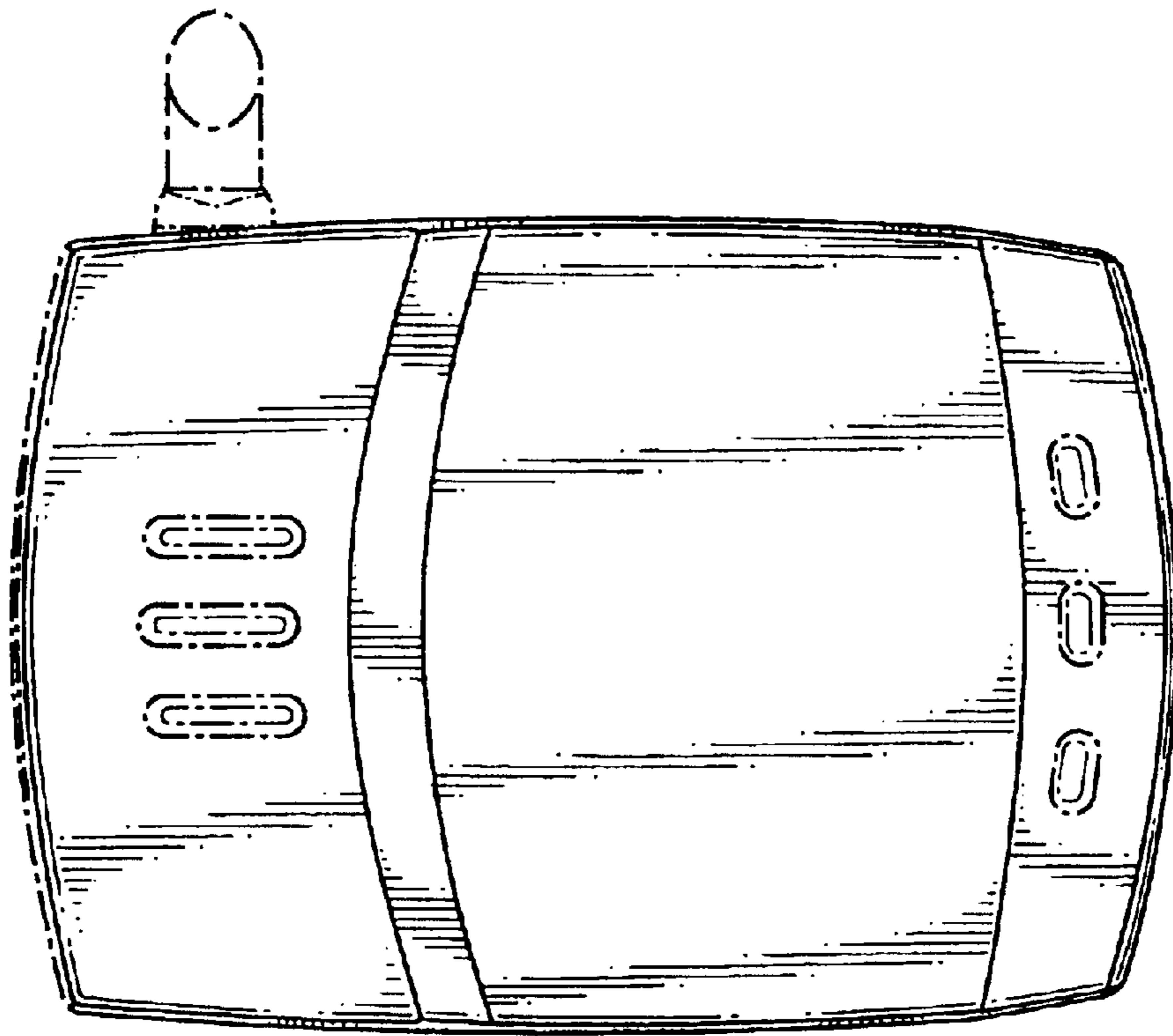
FIG.1



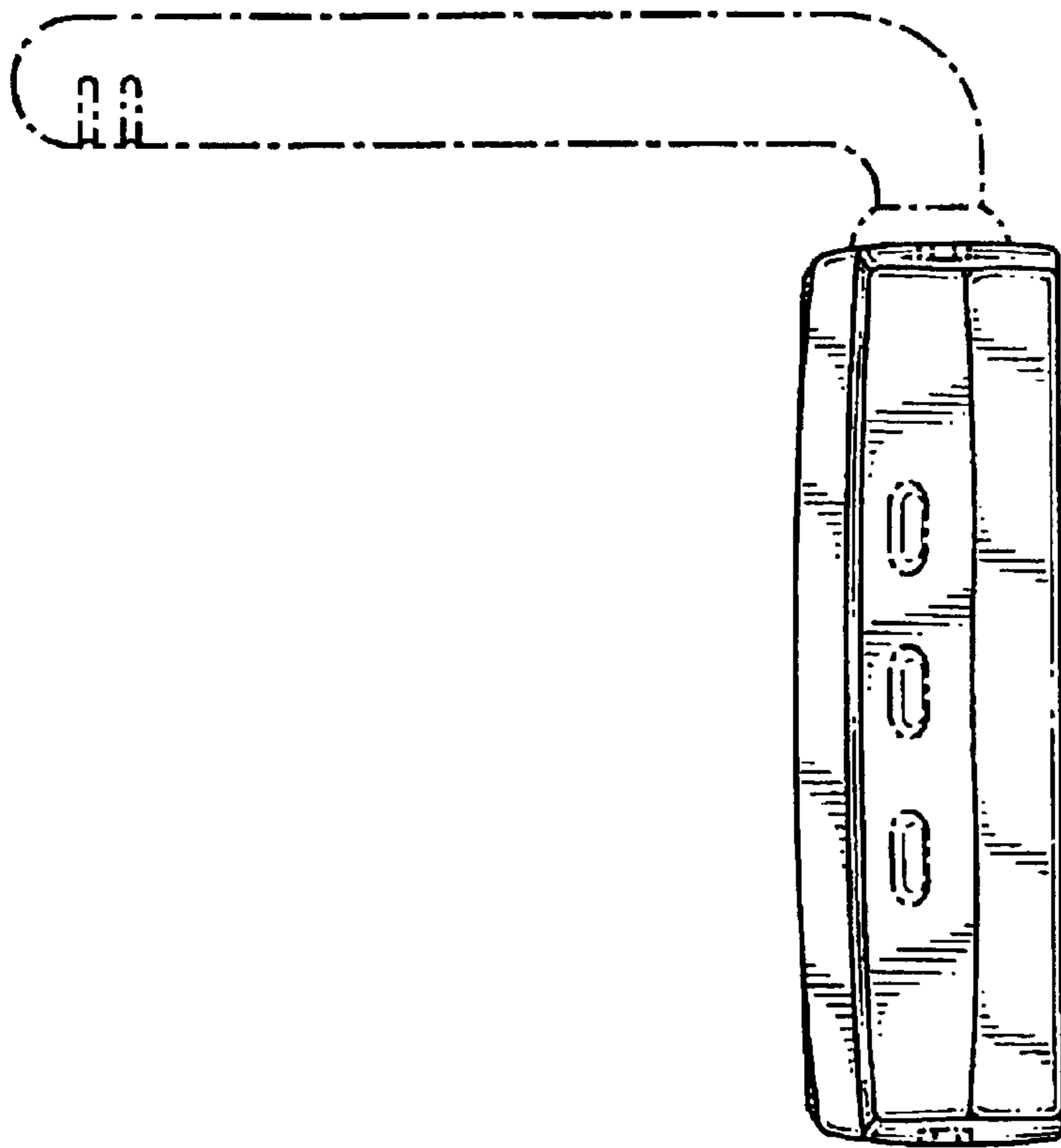
**FIG. 2**



**FIG.3**



**FIG.4**



**FIG.5**