



US00D489062S

(12) **United States Design Patent**
Hong

(10) **Patent No.:** **US D489,062 S**

(45) **Date of Patent:** **** Apr. 27, 2004**

(54) **HANDHELD ELECTRONIC DEVICE**

(75) Inventor: **Mi-Rong Hong**, Banchiau (TW)

(73) Assignee: **High Tech Computer, Corp.**, Taoyuan (TW)

(**) Term: **14 Years**

(21) Appl. No.: **29/162,968**

(22) Filed: **Jun. 26, 2002**

(30) **Foreign Application Priority Data**

Mar. 8, 2002 (TW) 91300999

(51) **LOC (7) Cl.** **14-02**

(52) **U.S. Cl.** **D14/343**

(58) **Field of Search** D14/341-346,
D14/130, 144, 138; D18/1, 2, 7; 235/145 A,
145 R, 375; 341/22, 23; 345/156, 168,
169, 172, 173; 349/12; 361/680-686

(56) **References Cited**

U.S. PATENT DOCUMENTS

5,218,187 A * 6/1993 Koenck et al. 235/375
D348,654 S * 7/1994 Branck et al. D14/343

D442,156 S * 5/2001 Lee D14/138
D442,569 S * 5/2001 Hanna et al. D14/138
D454,349 S * 3/2002 Makidera et al. D14/343

* cited by examiner

Primary Examiner—Freda Nunn

(74) *Attorney, Agent, or Firm*—Rabin & Berdo, P.C.

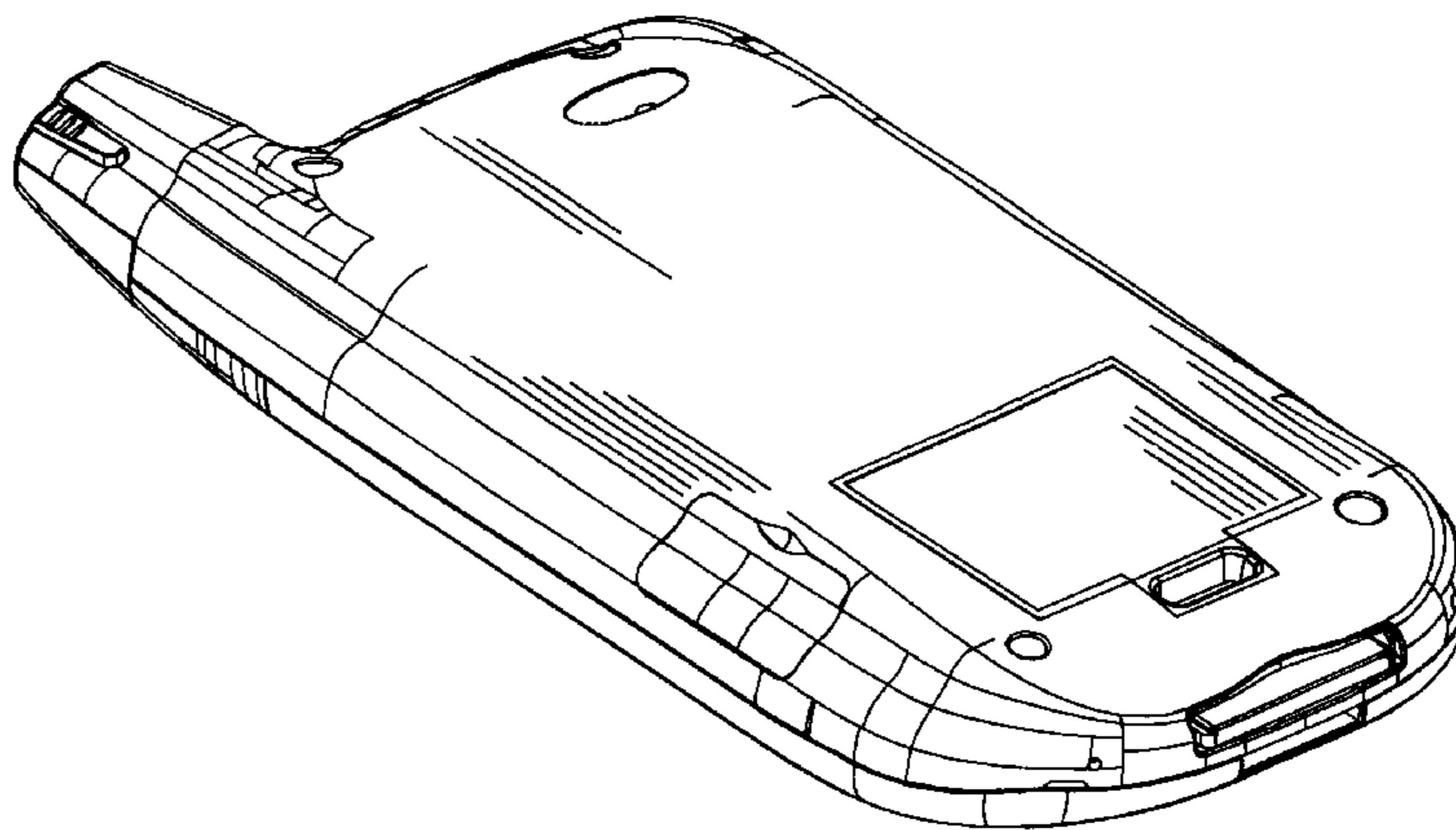
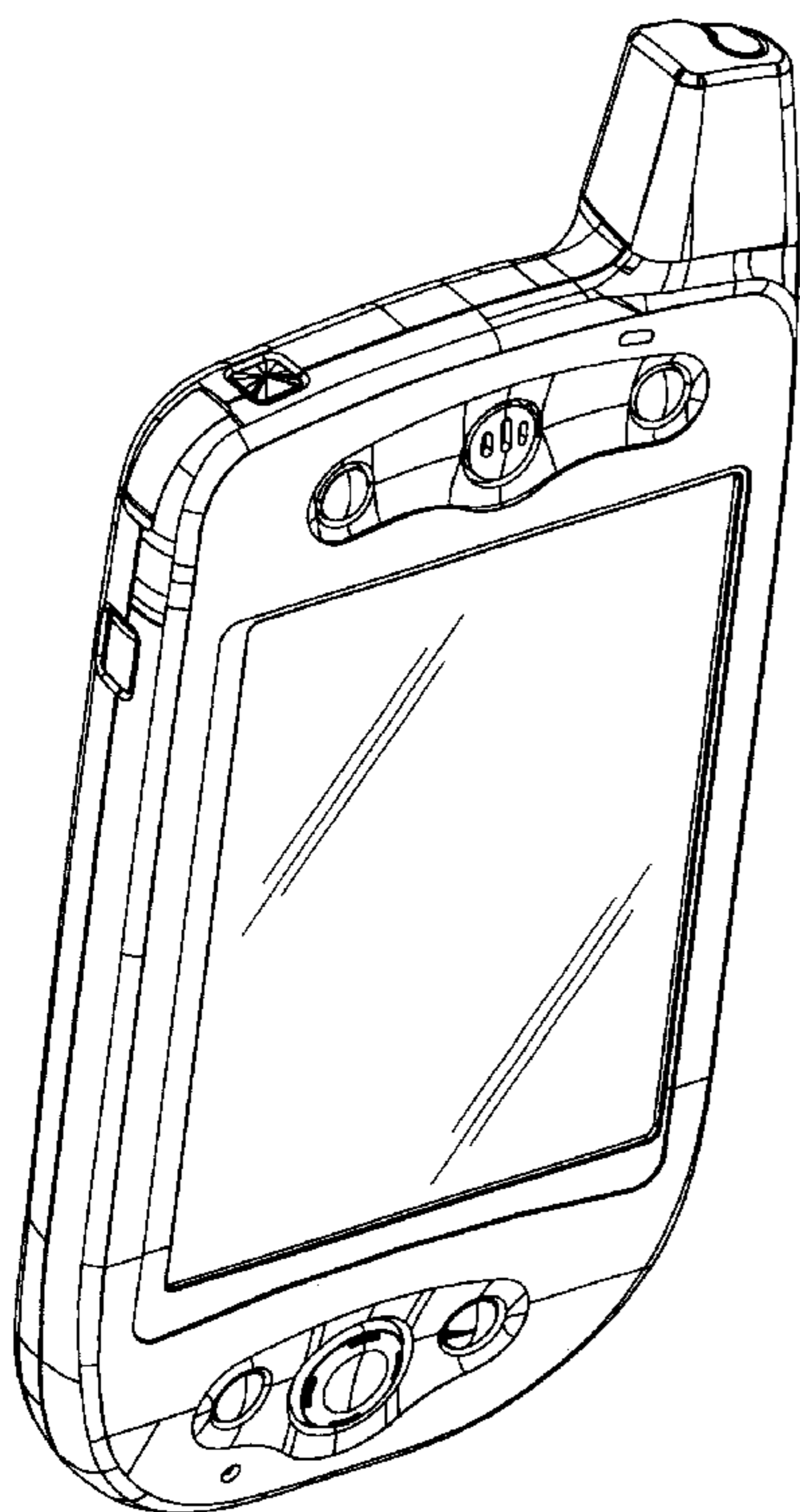
(57) **CLAIM**

The ornamental design for a handheld electronic device, as shown and described.

DESCRIPTION

FIG. 1 is a perspective view of a handheld electronic device showing my new design;
FIG. 2 is a front elevational view thereof;
FIG. 3 is a left side elevational view thereof;
FIG. 4 is a right side elevational view thereof;
FIG. 5 is a top plan view thereof;
FIG. 6 is a bottom plan view thereof;
FIG. 7 is a rear elevational view thereof;
FIG. 8 is a perspective view showing the rear, bottom and right side thereof; and,
FIG. 9 is a cross-sectional view thereof taken along line 9—9 of FIG. 2, showing the rim shape of the screen.

1 Claim, 9 Drawing Sheets



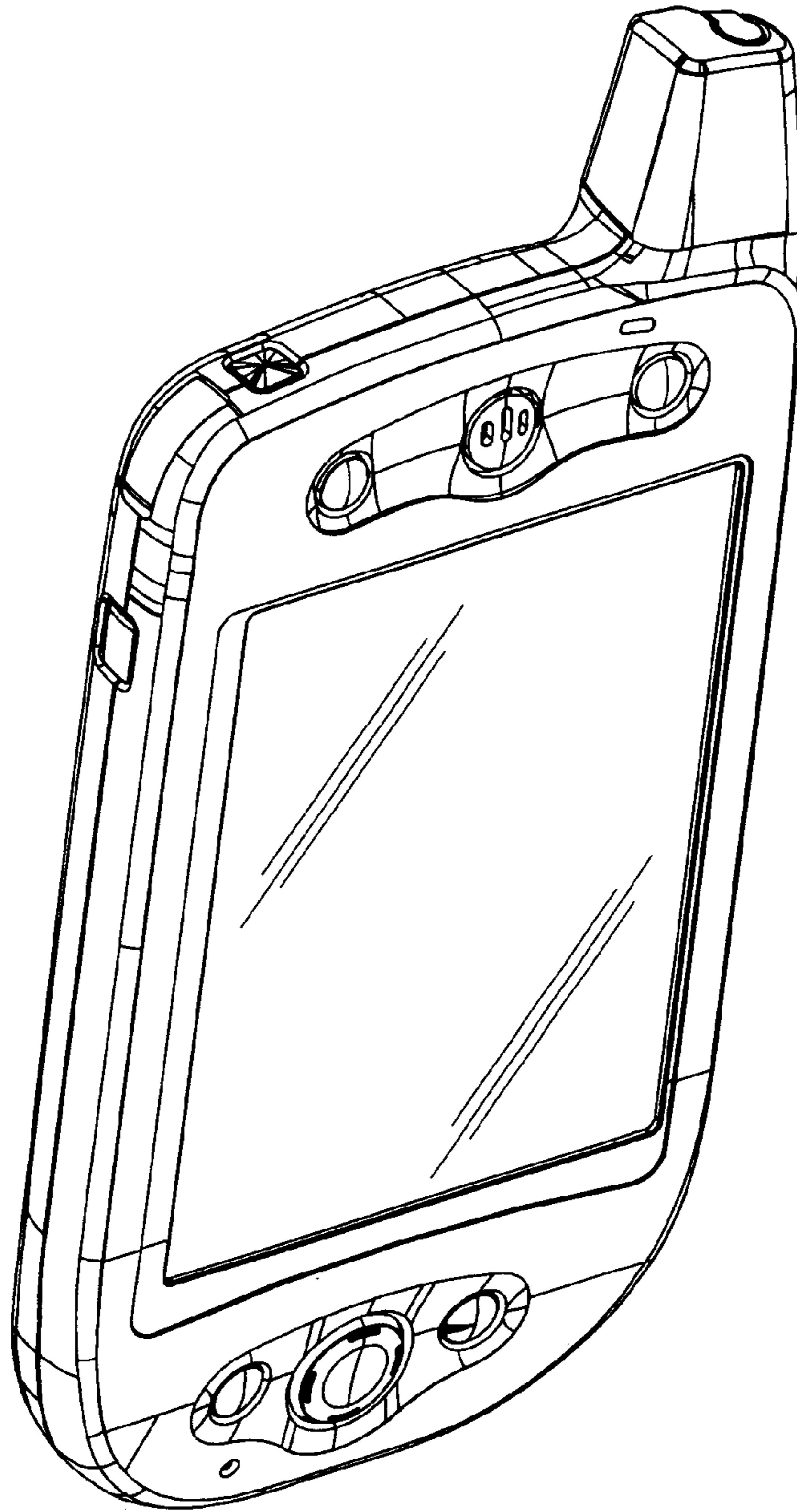


FIG. 1

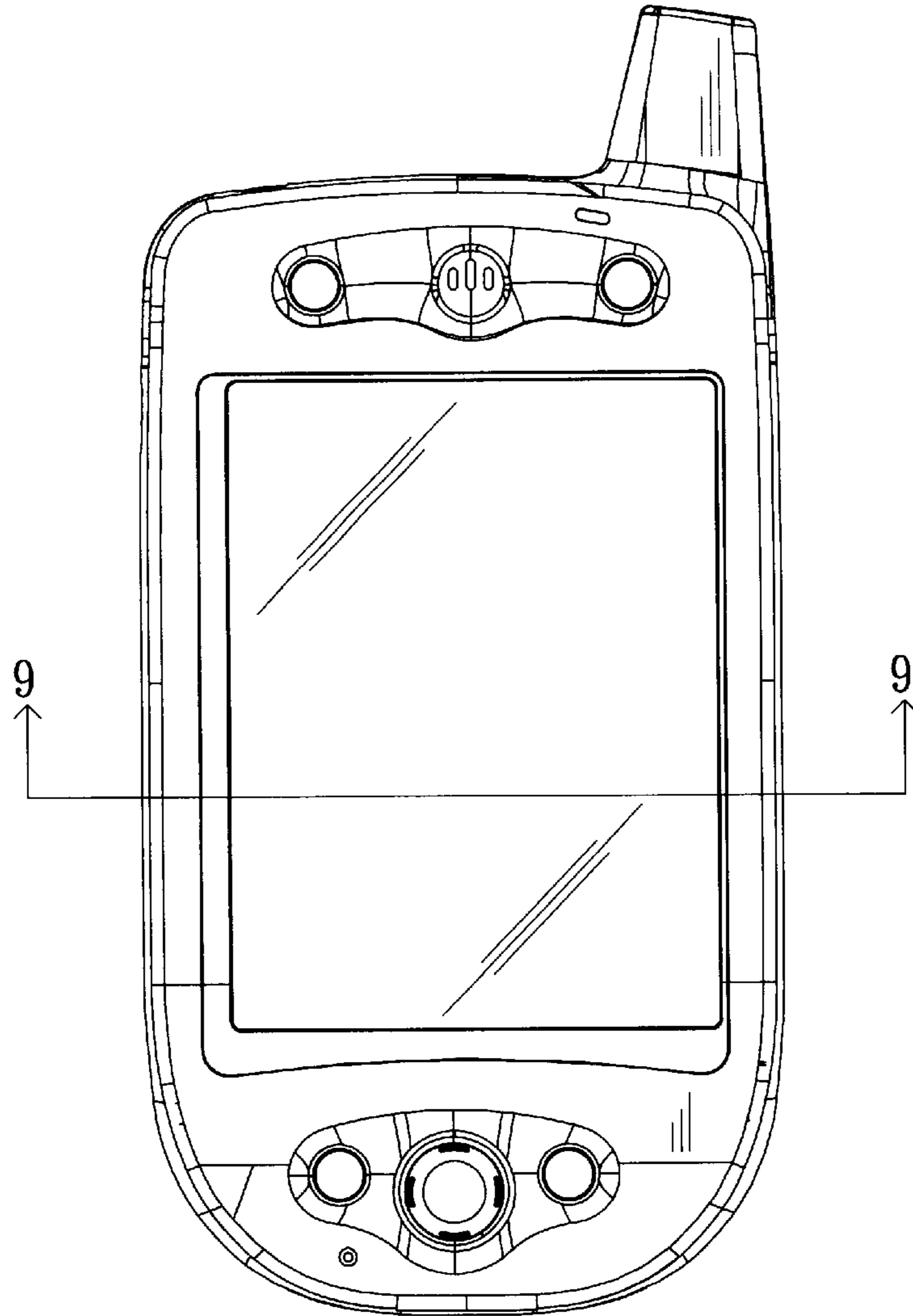


FIG. 2



FIG. 3

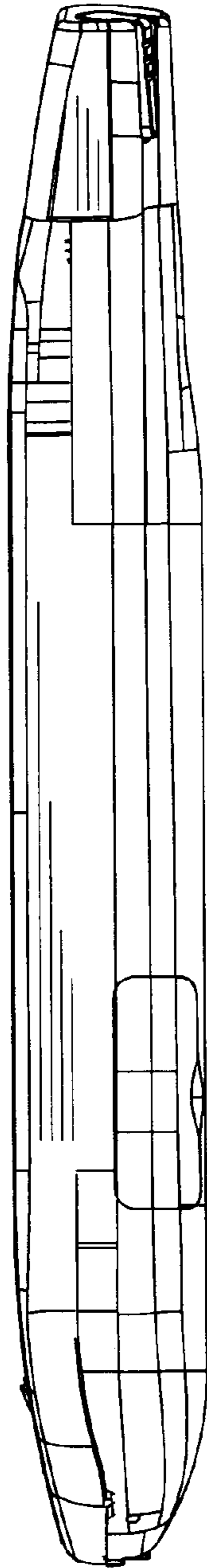


FIG. 4

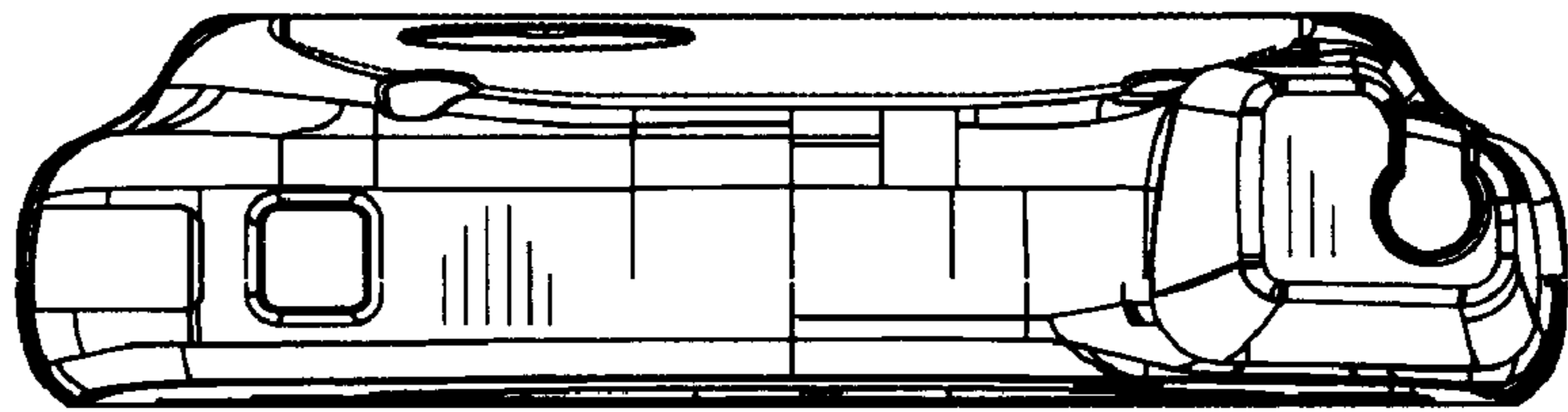


FIG. 5

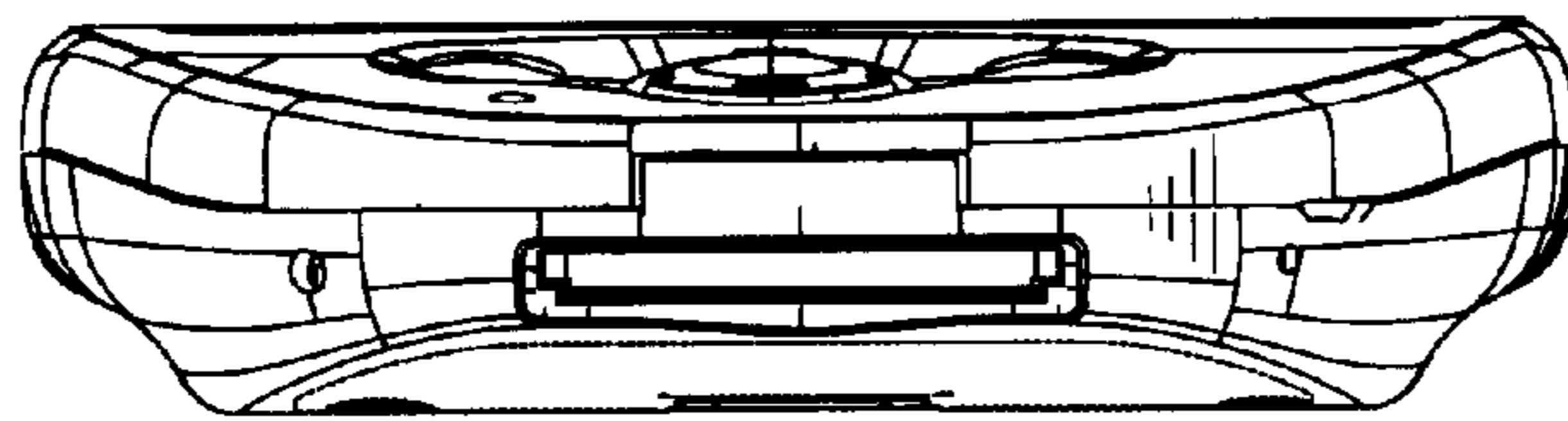


FIG. 6

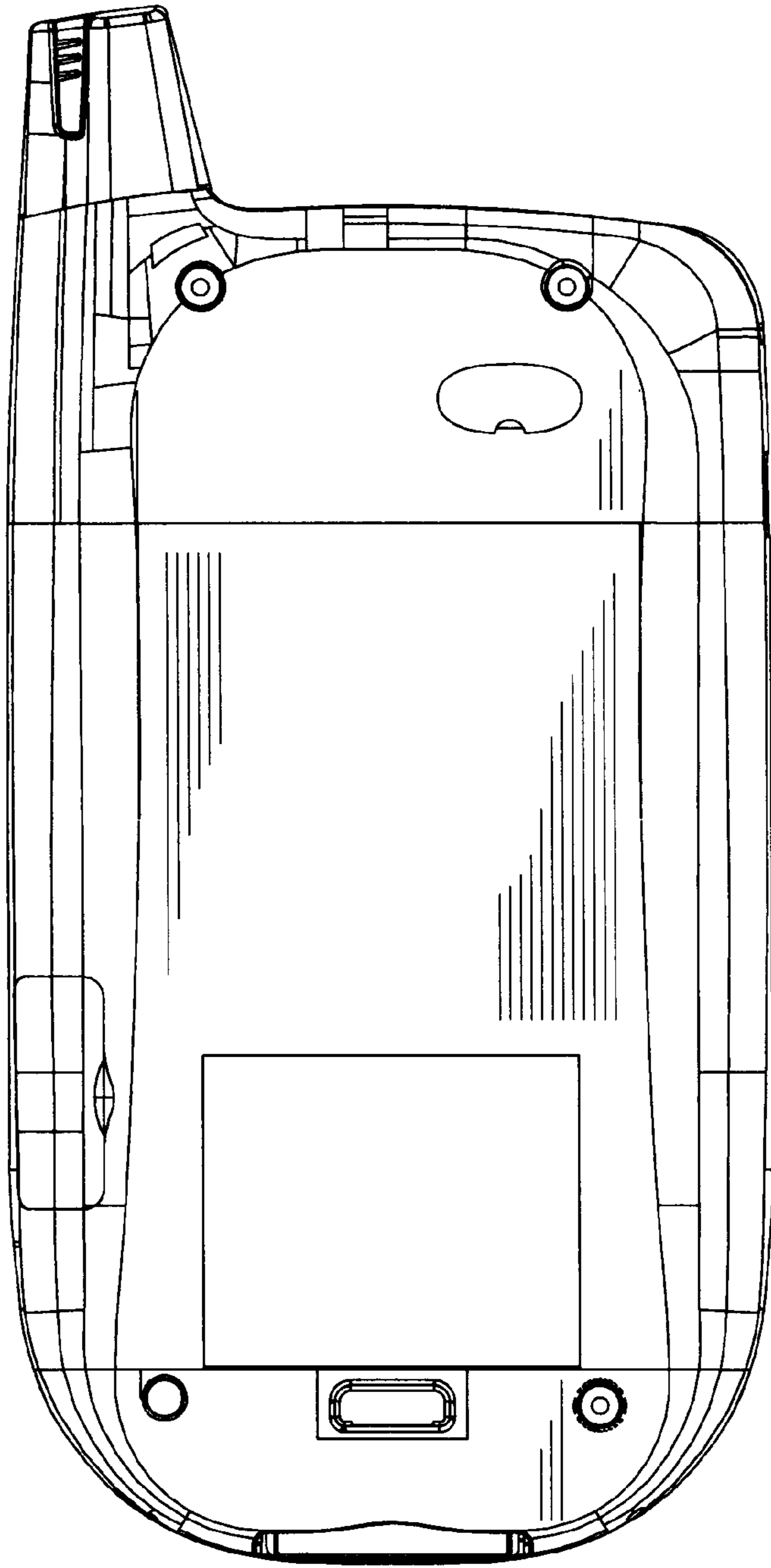


FIG. 7

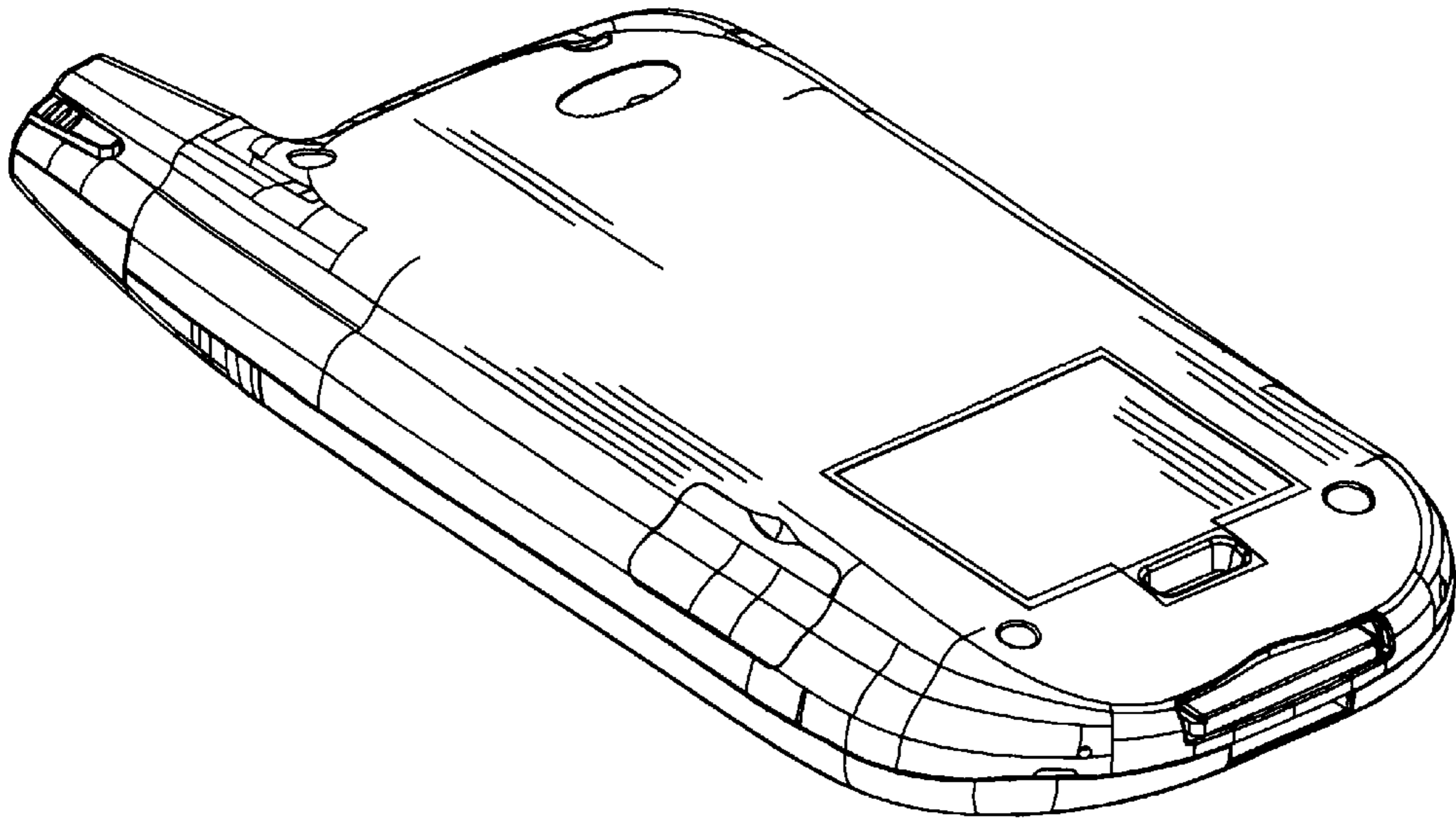


FIG. 8

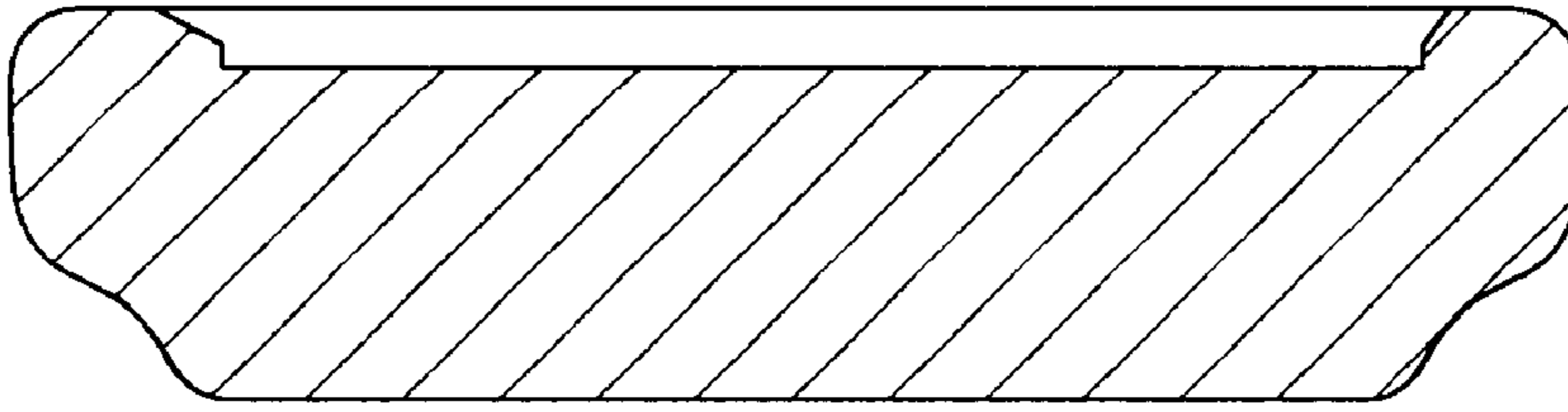


FIG. 9