



US00D489061S

(12) **United States Design Patent**
Hyogo

(10) **Patent No.:** **US D489,061 S**

(45) **Date of Patent:** **** Apr. 27, 2004**

(54) **COMPUTER**

(75) Inventor: **Kuninori Hyogo**, Tokyo (JP)

(73) Assignee: **Sony Corporation**, Tokyo (JP)

(**) Term: **14 Years**

(21) Appl. No.: **29/182,526**

(22) Filed: **May 29, 2003**

(51) **LOC (7) Cl.** **14-02**

(52) **U.S. Cl.** **D14/331**

(58) **Field of Search** D14/328, 336,
D14/343, 331, 337; D18/1, 2, 7; 235/145 A,
145 R; 341/22, 23; 345/104, 156, 168,
169, 173; 361/680-686; 400/486, 489

(56) **References Cited**

U.S. PATENT DOCUMENTS

D319,222 S	*	8/1991	Mizusugi et al.	D14/331
5,103,376 A	*	4/1992	Blonder	361/681
5,175,672 A	*	12/1992	Conner et al.	361/680
5,229,757 A	*	7/1993	Takamiya et al.	345/168
D349,299 S	*	8/1994	Fok	D19/60
D373,347 S	*	9/1996	Ashley et al.	D14/343
D378,083 S	*	2/1997	Ando	D14/336
5,844,543 A	*	12/1998	Tamura et al.	345/156
D422,963 S		4/2000	Hakoda		
D430,870 S	*	9/2000	Maruyama et al.	D14/331

D439,902 S		4/2001	Oba		
D449,613 S		10/2001	Matsuoka		
D478,583 S	*	8/2003	Hyogo	D14/331
2003/0034951 A1	*	2/2003	Fry et al.	345/156

OTHER PUBLICATIONS

Web page "PCV-W110/W," <http://www8.yodobashi.com/enjoy/i.jsp?oid=6698074>, 1 sheet, Yodobashi Camera (Feb. 2003).

* cited by examiner

Primary Examiner—Clare E. Heflin

(74) *Attorney, Agent, or Firm*—Rader, Fishman & Grauer PLLC

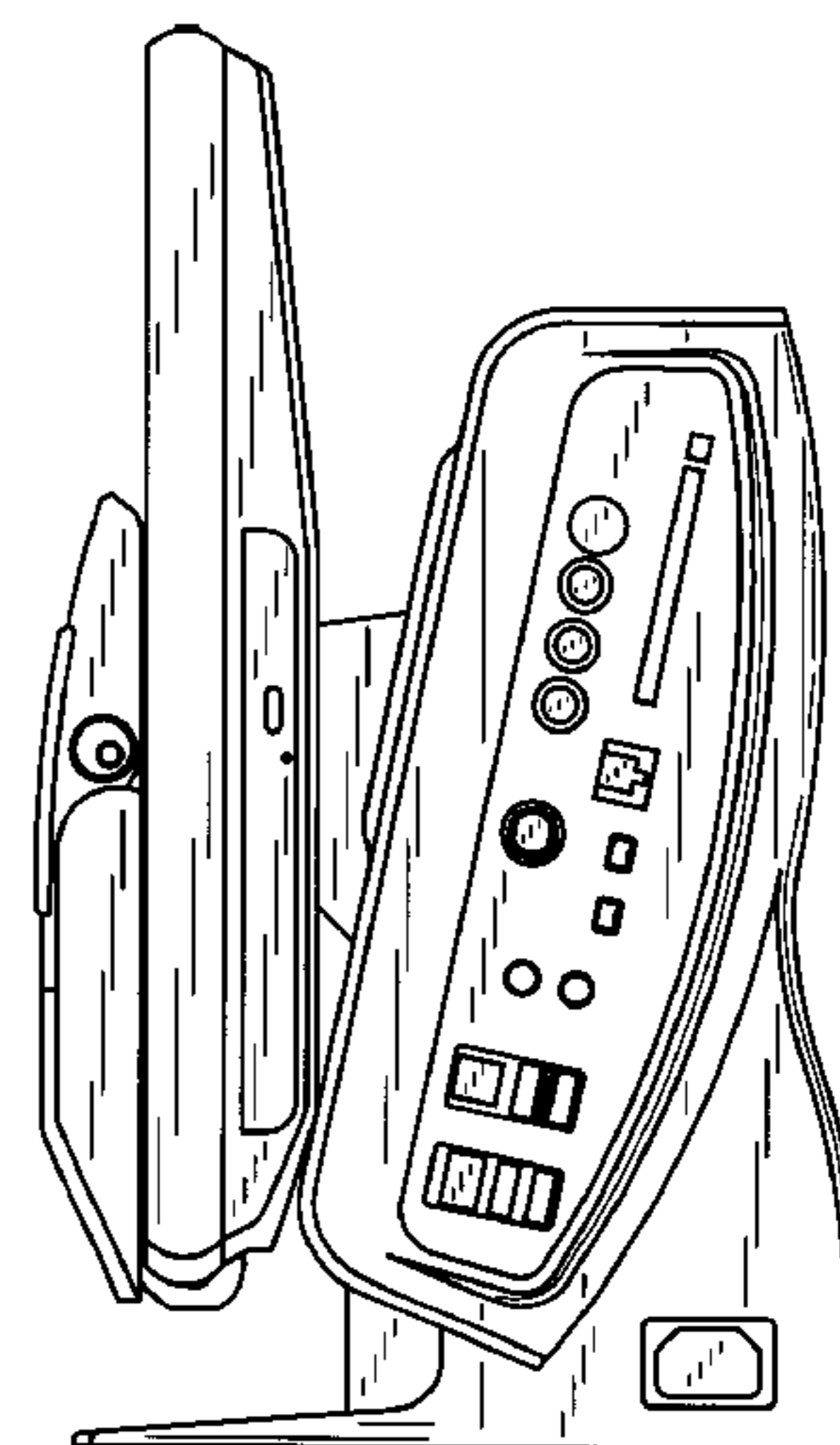
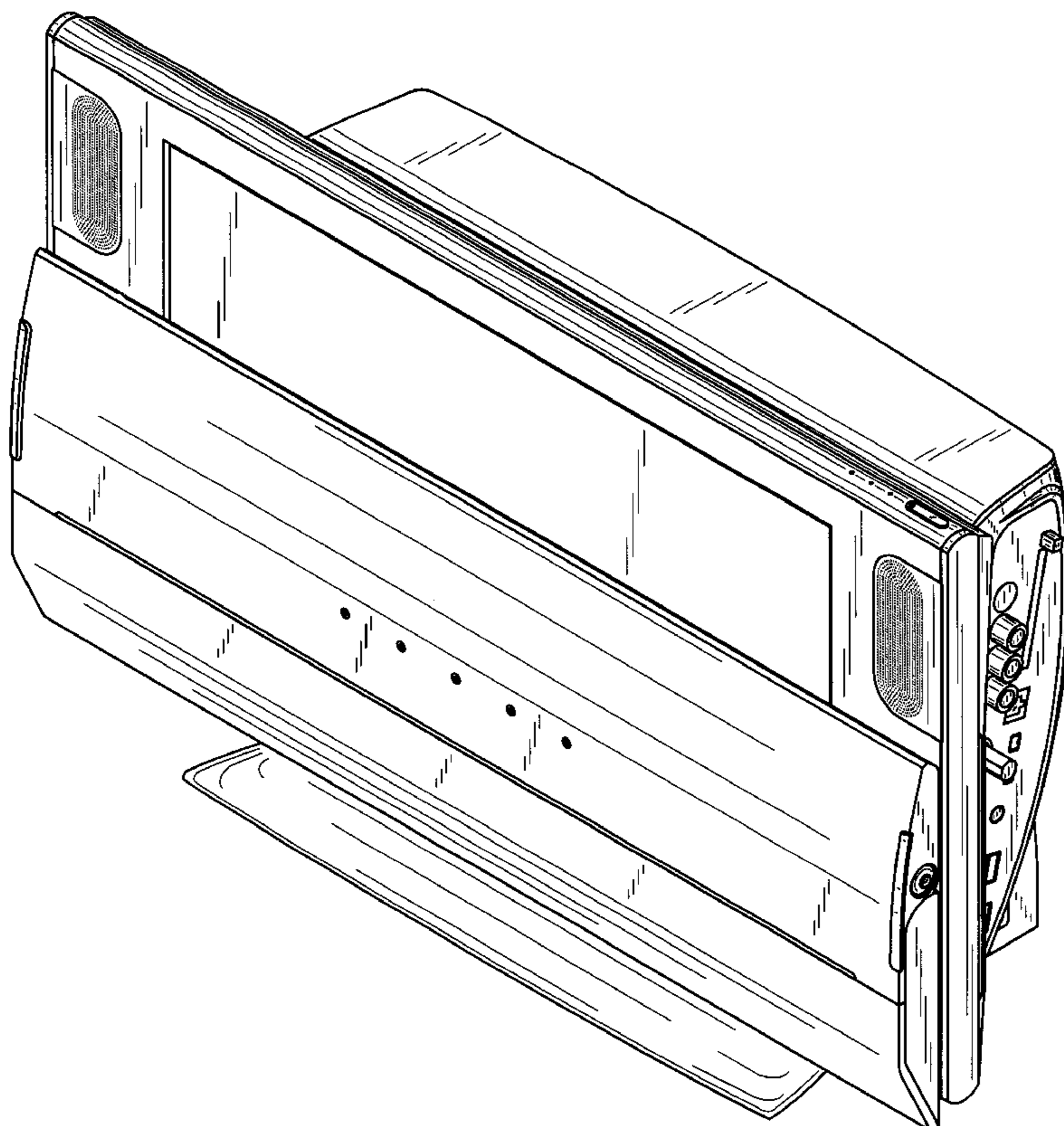
(57) **CLAIM**

The ornamental design for a computer, as shown.

DESCRIPTION

FIG. 1 is a perspective view of a computer showing my new design;
FIG. 2 is a front elevational view thereof;
FIG. 3 is a rear elevational view thereof;
FIG. 4 is a left side elevational view thereof;
FIG. 5 is a right side elevational view thereof;
FIG. 6 is a top plan view thereof; and,
FIG. 7 is a bottom plan view thereof.

1 Claim, 4 Drawing Sheets



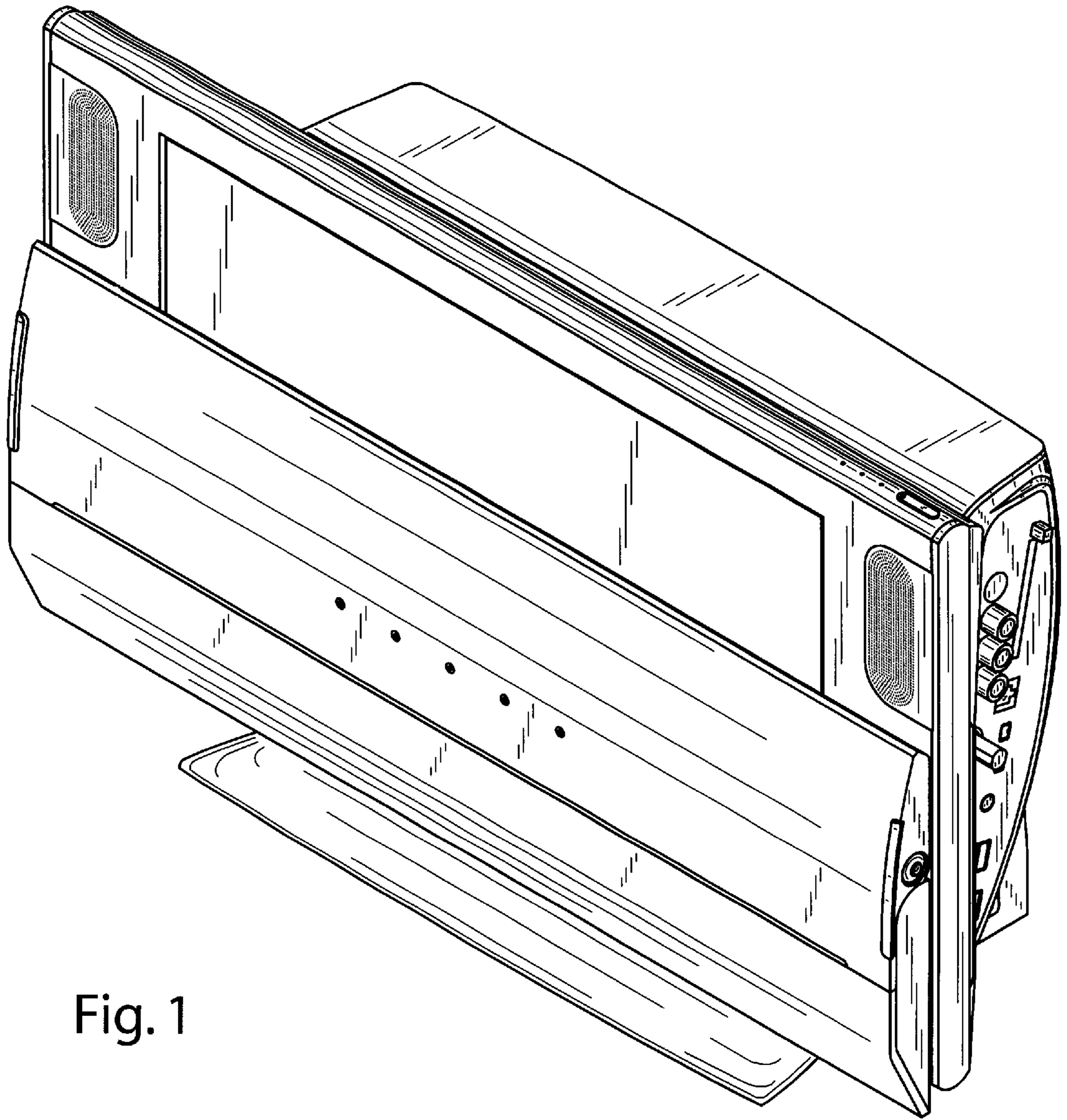


Fig. 1

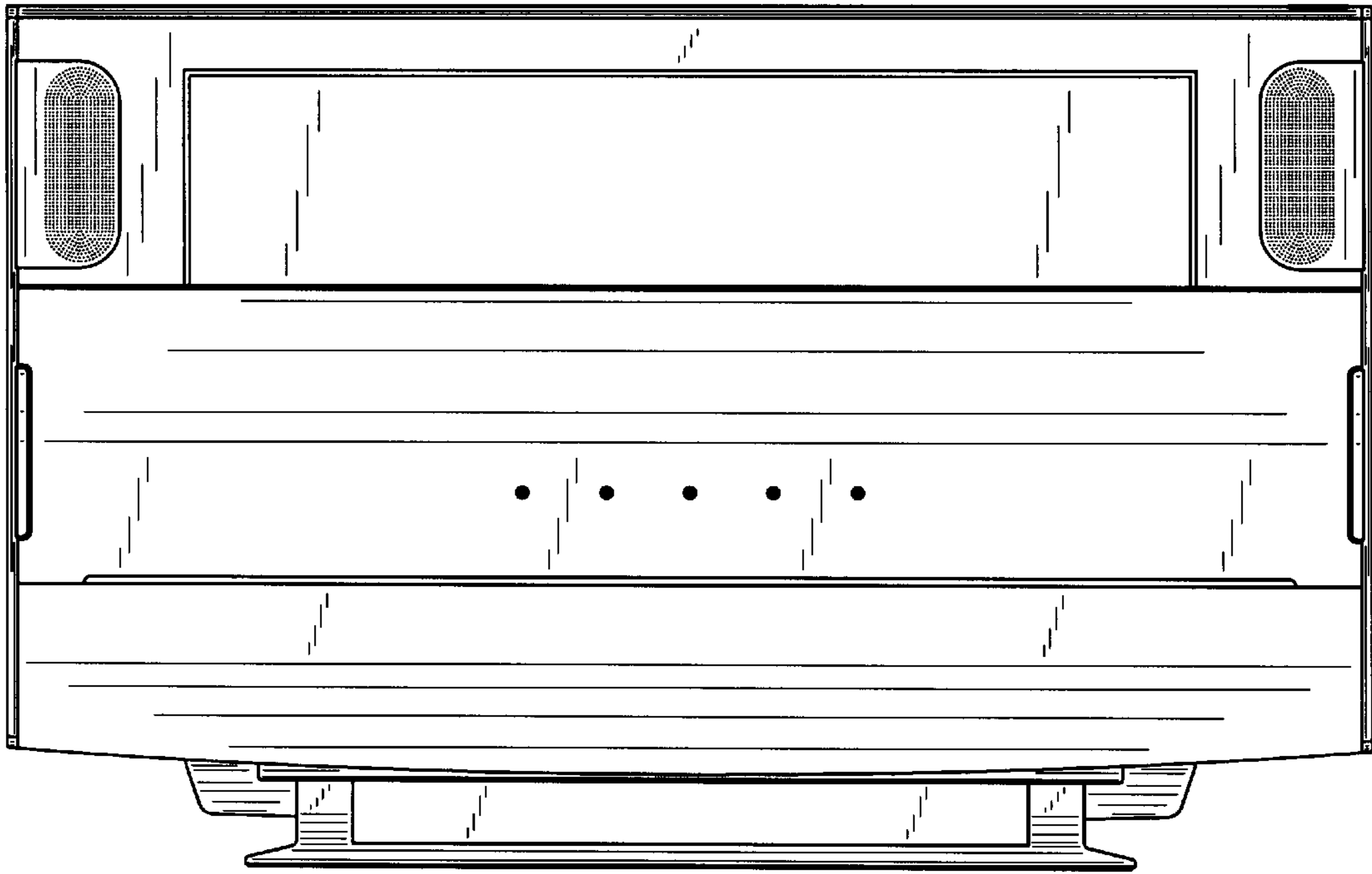


Fig. 2

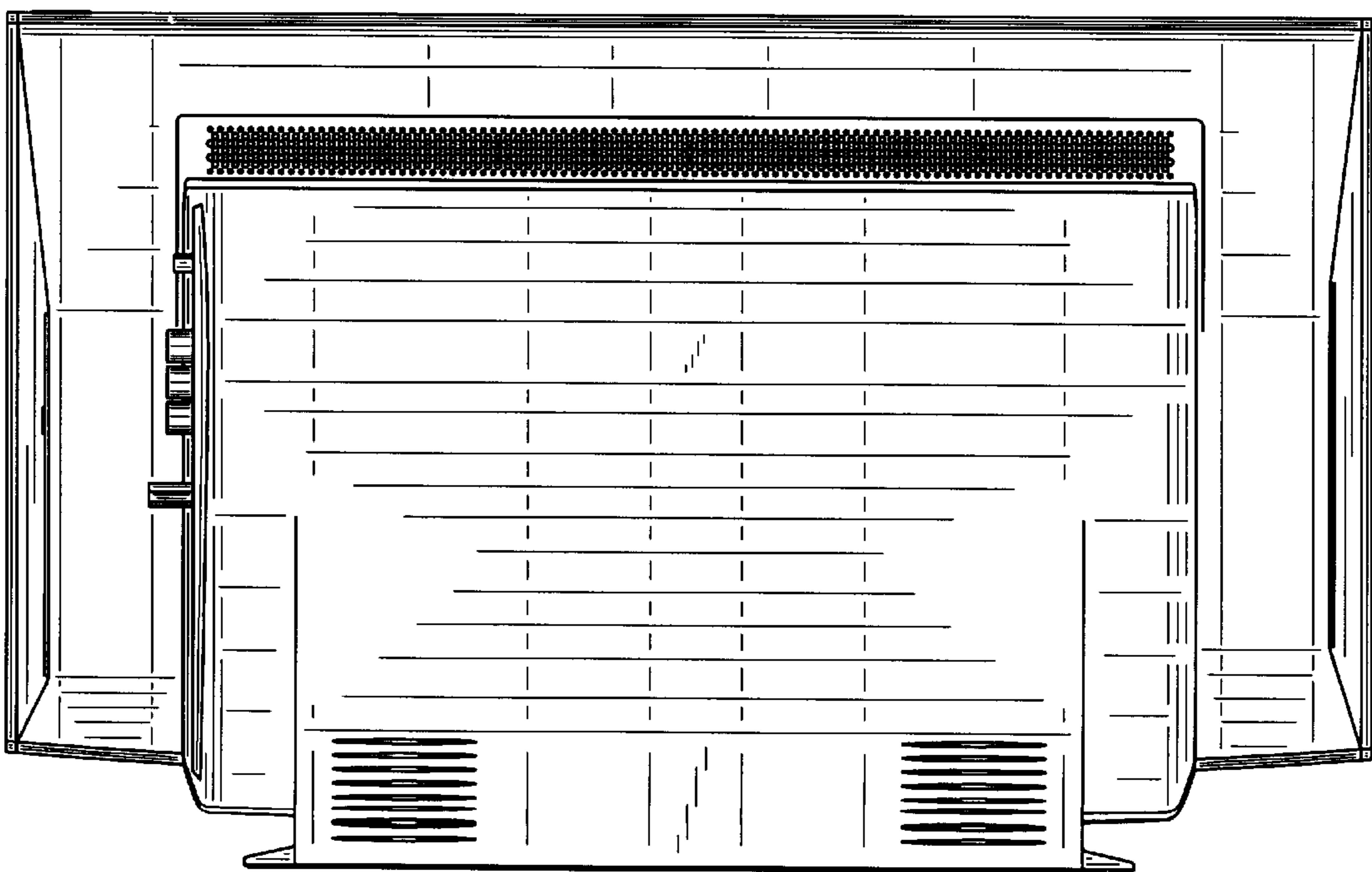


Fig. 3

Fig. 4

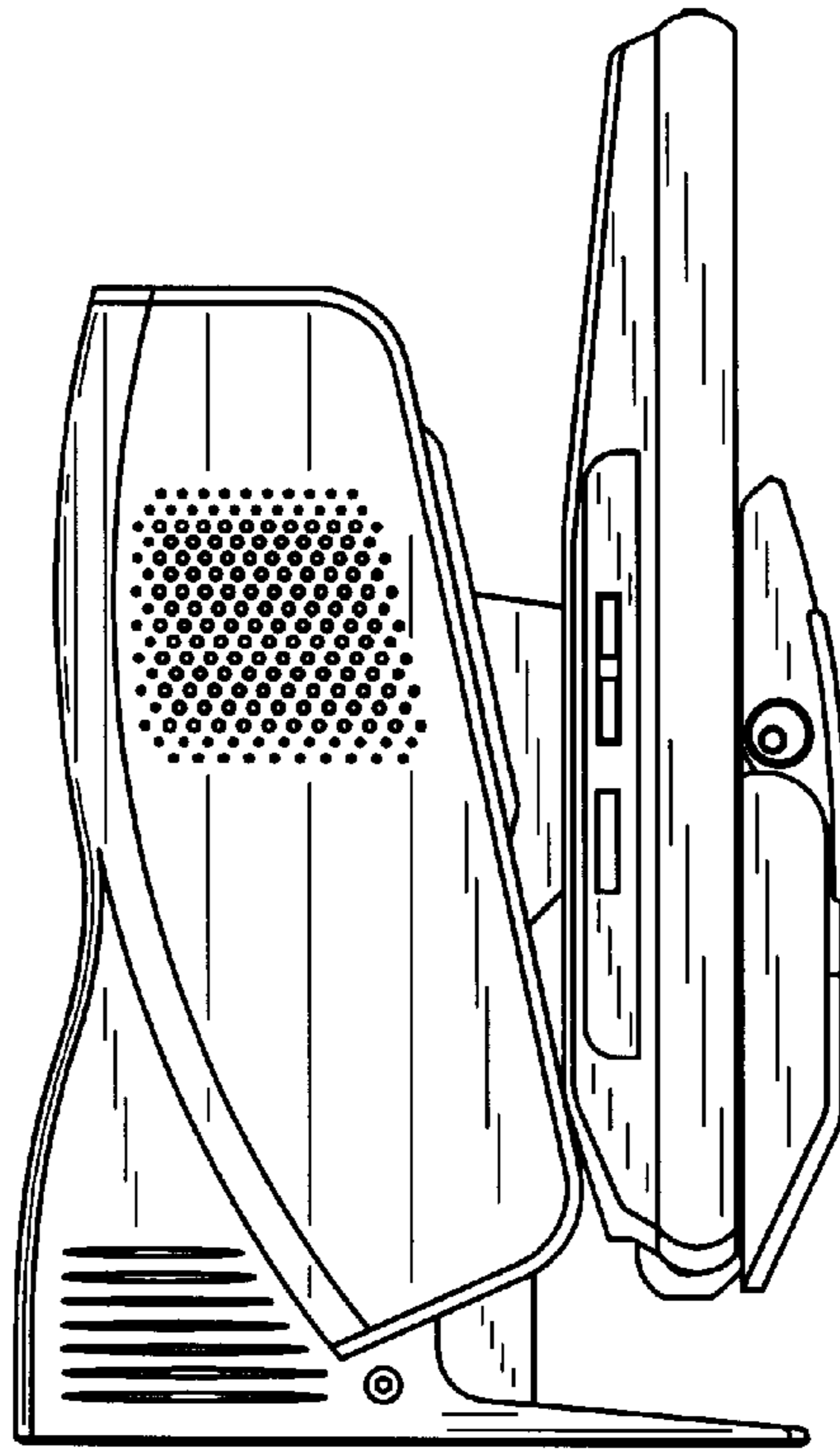
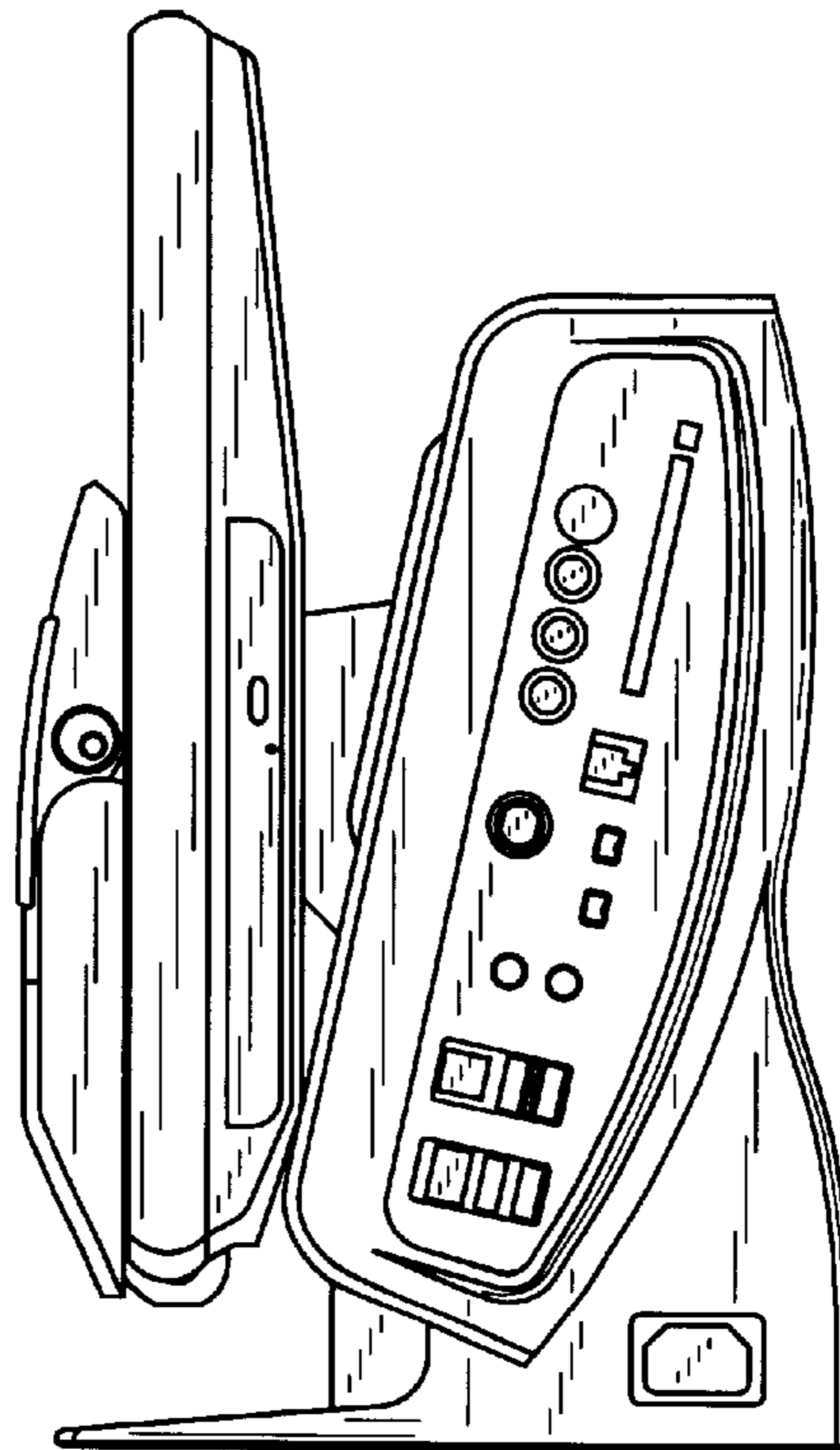


Fig. 5



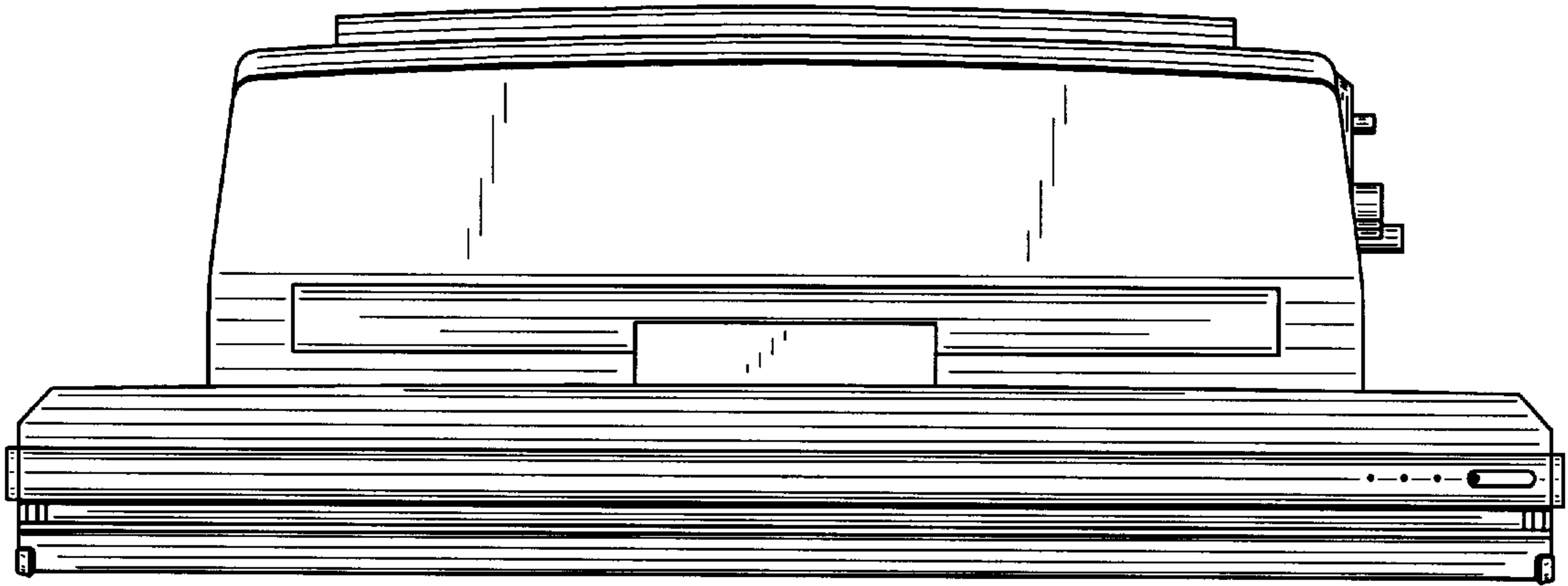


Fig. 6

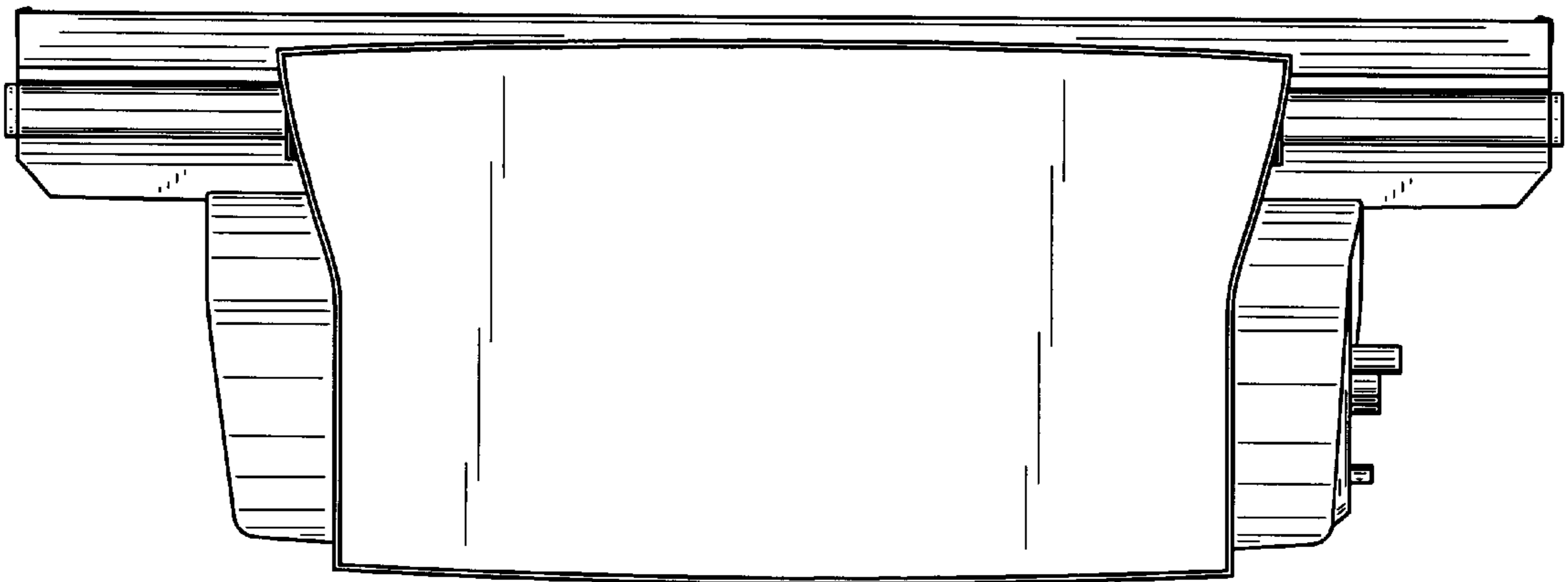


Fig. 7