



US00D489058S

(12) **United States Design Patent**
Ma et al.

(10) **Patent No.:** **US D489,058 S**

(45) **Date of Patent:** **** Apr. 27, 2004**

(54) **COMMUNICATION DEVICE ACCESSORY**

(75) Inventors: **Jeong Ma**, Buffalo Grove, IL (US);
Matthew B. Ansley, Chicago, IL (US);
David P. Townsend, Village of
Lakewood, IL (US)

(73) Assignee: **Motorola, Inc.**, Schaumburg, IL (US)

(**) Term: **14 Years**

(21) Appl. No.: **29/170,721**

(22) Filed: **Nov. 12, 2002**

(51) **LOC (7) Cl.** **14-03**

(52) **U.S. Cl.** **D14/240**

(58) **Field of Search** D14/253, 248,
D14/250, 147, 240, 138, 144, 130; 379/420.02,
420.04, 428.04, 428.02, 440; D16/202,
200, 208; 378/14.01-14.09, 429

(56) **References Cited**

U.S. PATENT DOCUMENTS

D381,978 S * 8/1997 Nakada et al. D14/358
D429,269 S * 8/2000 Renkis D16/203

D429,743 S * 8/2000 Renkis D16/203
D451,938 S * 12/2001 Chen D16/202
D467,954 S * 12/2002 Suzuki et al. D16/208
D474,792 S * 5/2003 Hyun D16/202

* cited by examiner

Primary Examiner—Charles A. Rademaker

(74) *Attorney, Agent, or Firm*—Randall S. Vaas

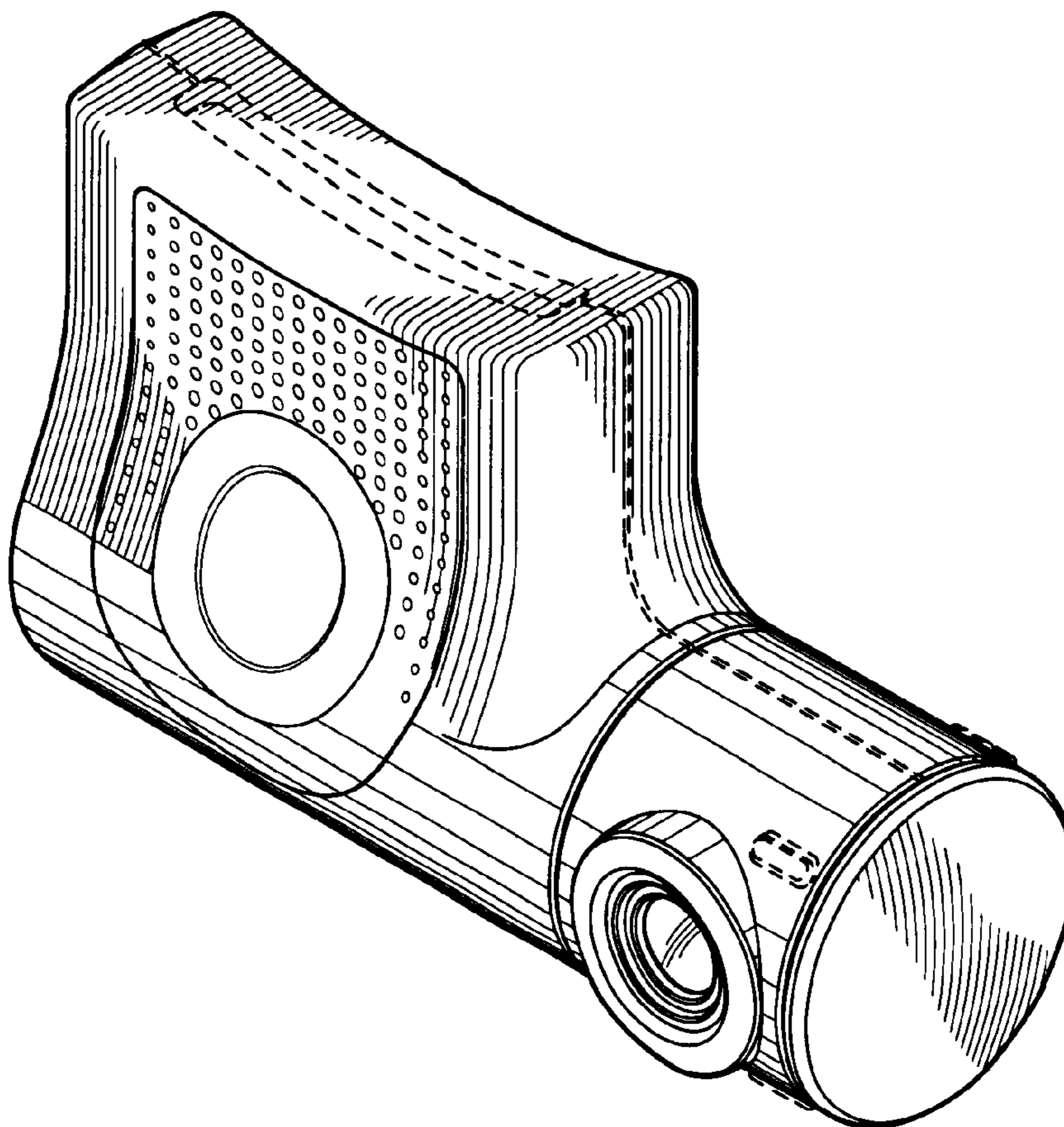
(57) **CLAIM**

An ornamental communication device accessory, as shown and described.

DESCRIPTION

FIG. 1 is a front, side and top perspective view of an ornamental design for a communication device accessory. FIG. 2 is a front elevation view. FIG. 3 is a rear elevation view. FIG. 4 is a top plan view. FIG. 5 is a bottom plan view. FIG. 6 is a front side elevation view; and, FIG. 7 is a second side elevation view. The broken line portions of the drawings are for illustrative purposes only and not part of the claimed design.

1 Claim, 2 Drawing Sheets



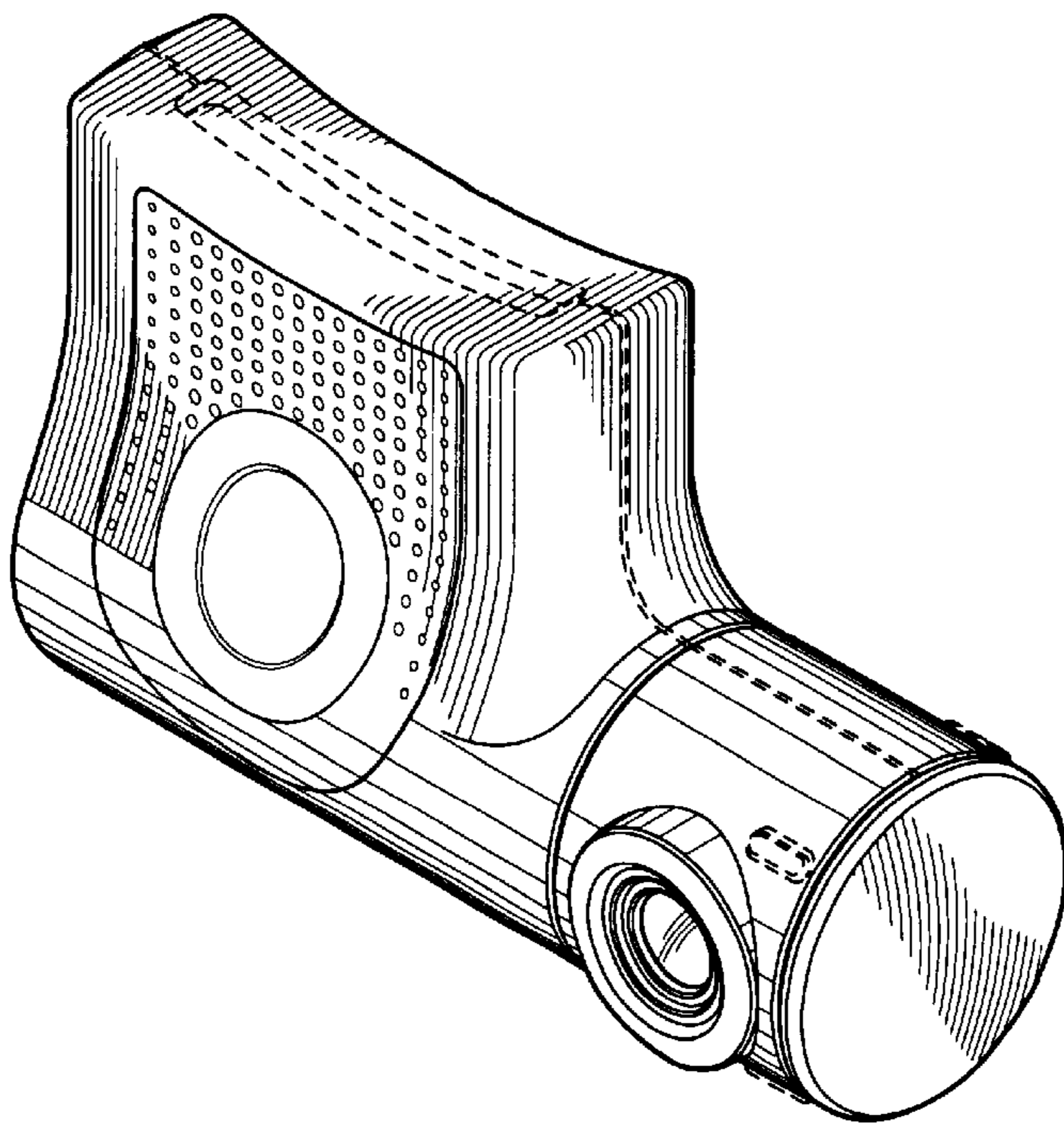


FIG. 1

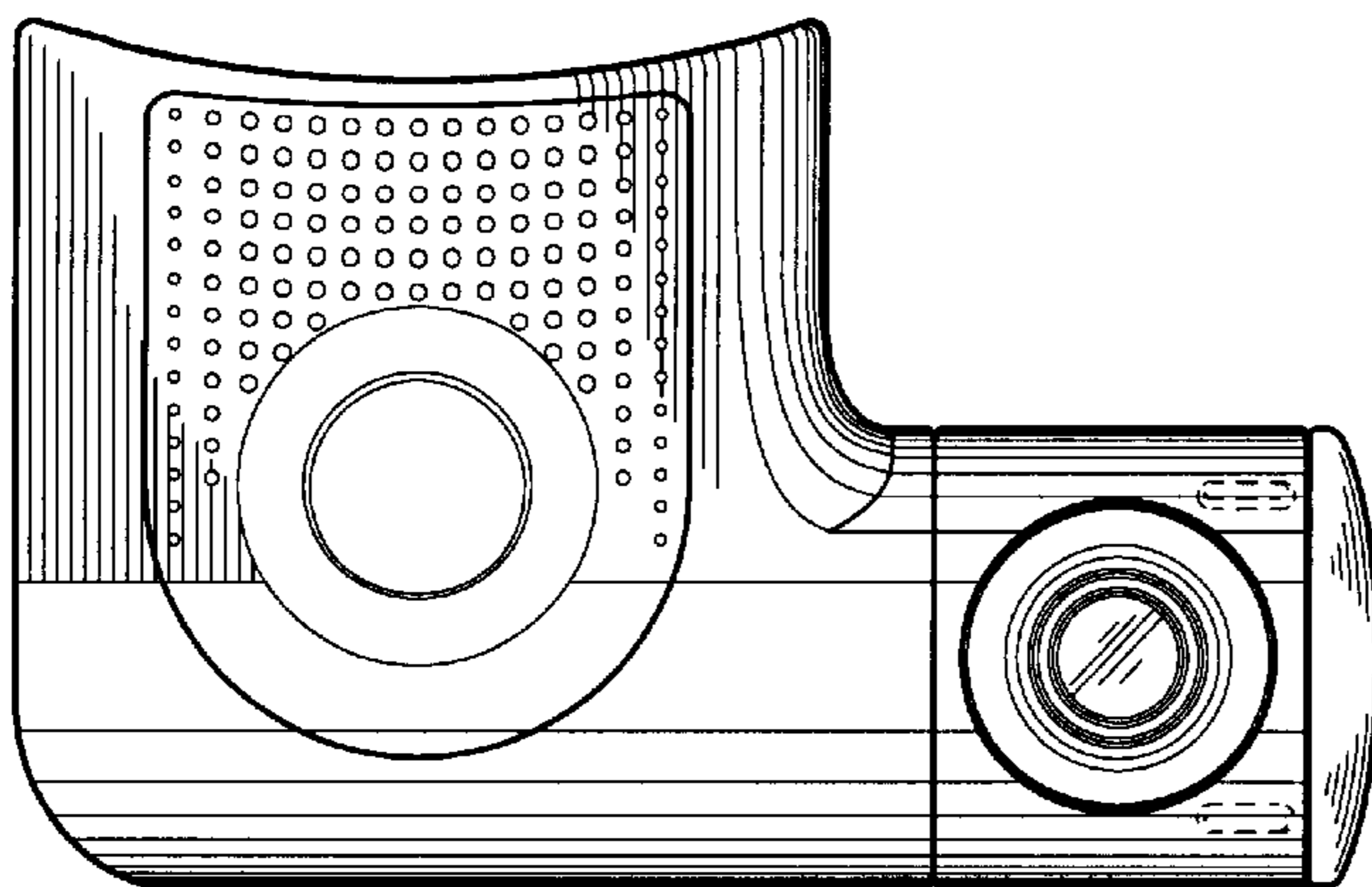


FIG. 2

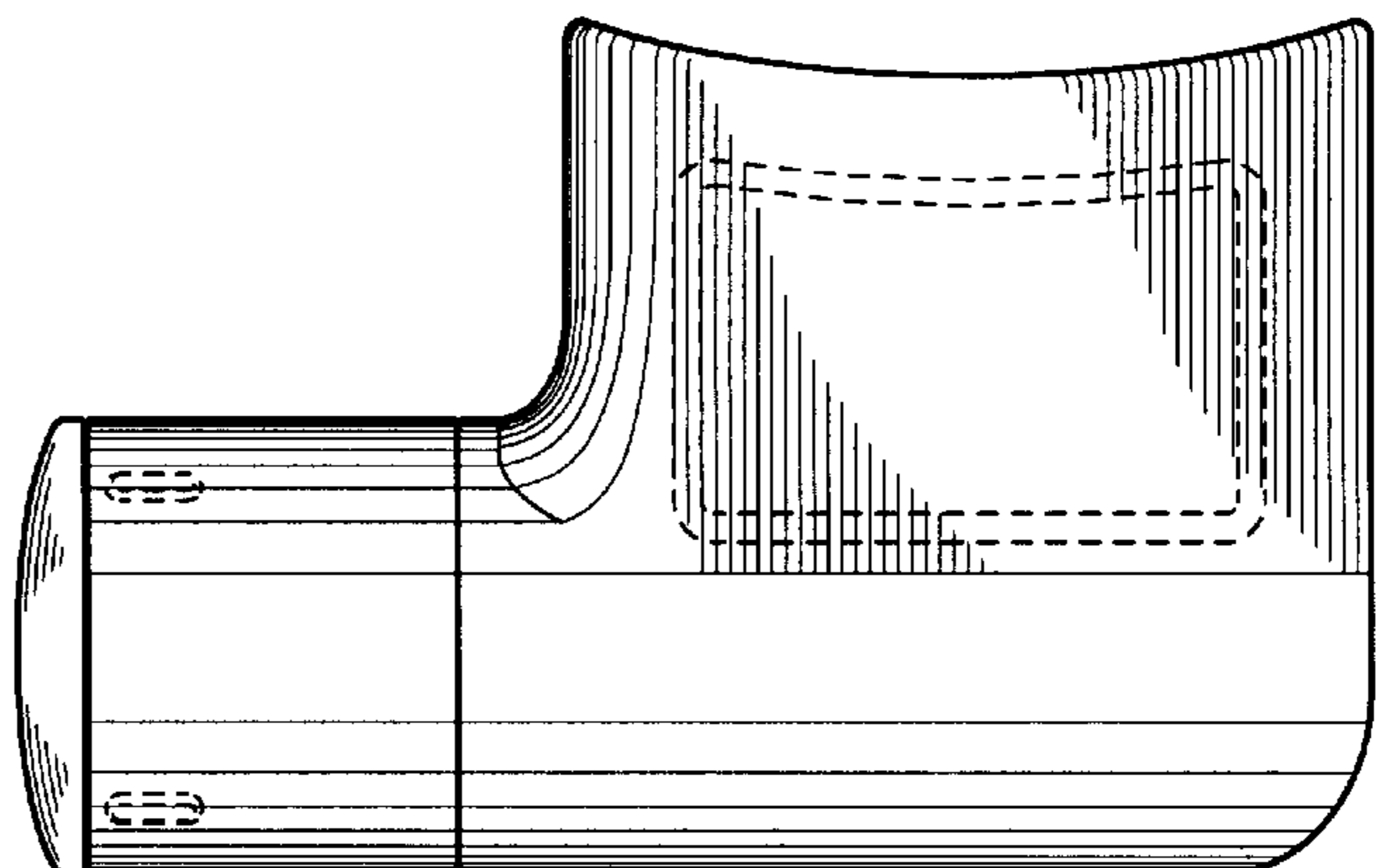


FIG. 3

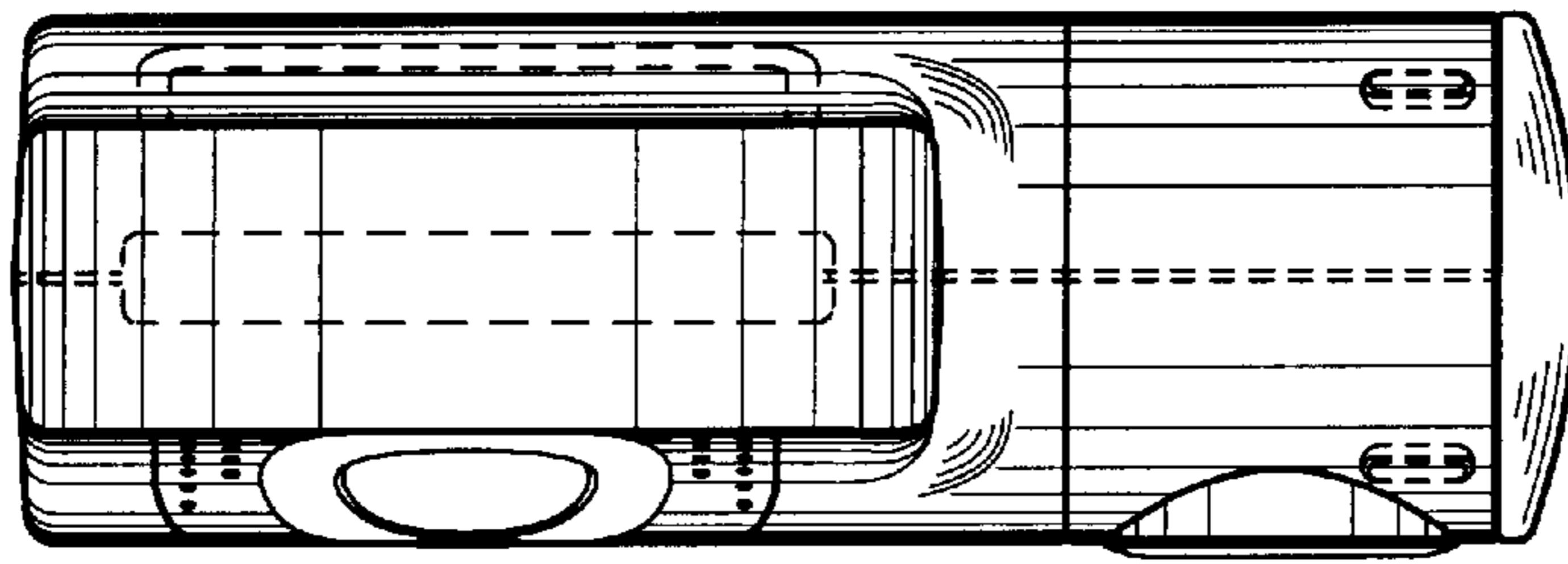


FIG. 4

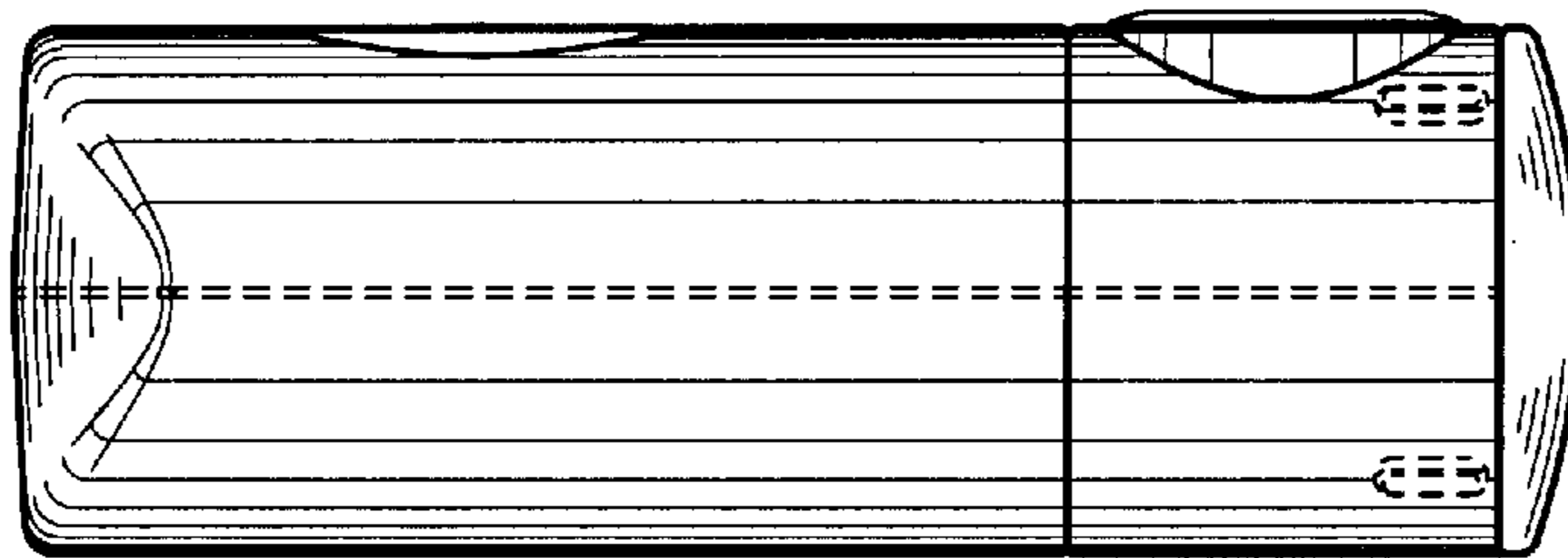


FIG. 5

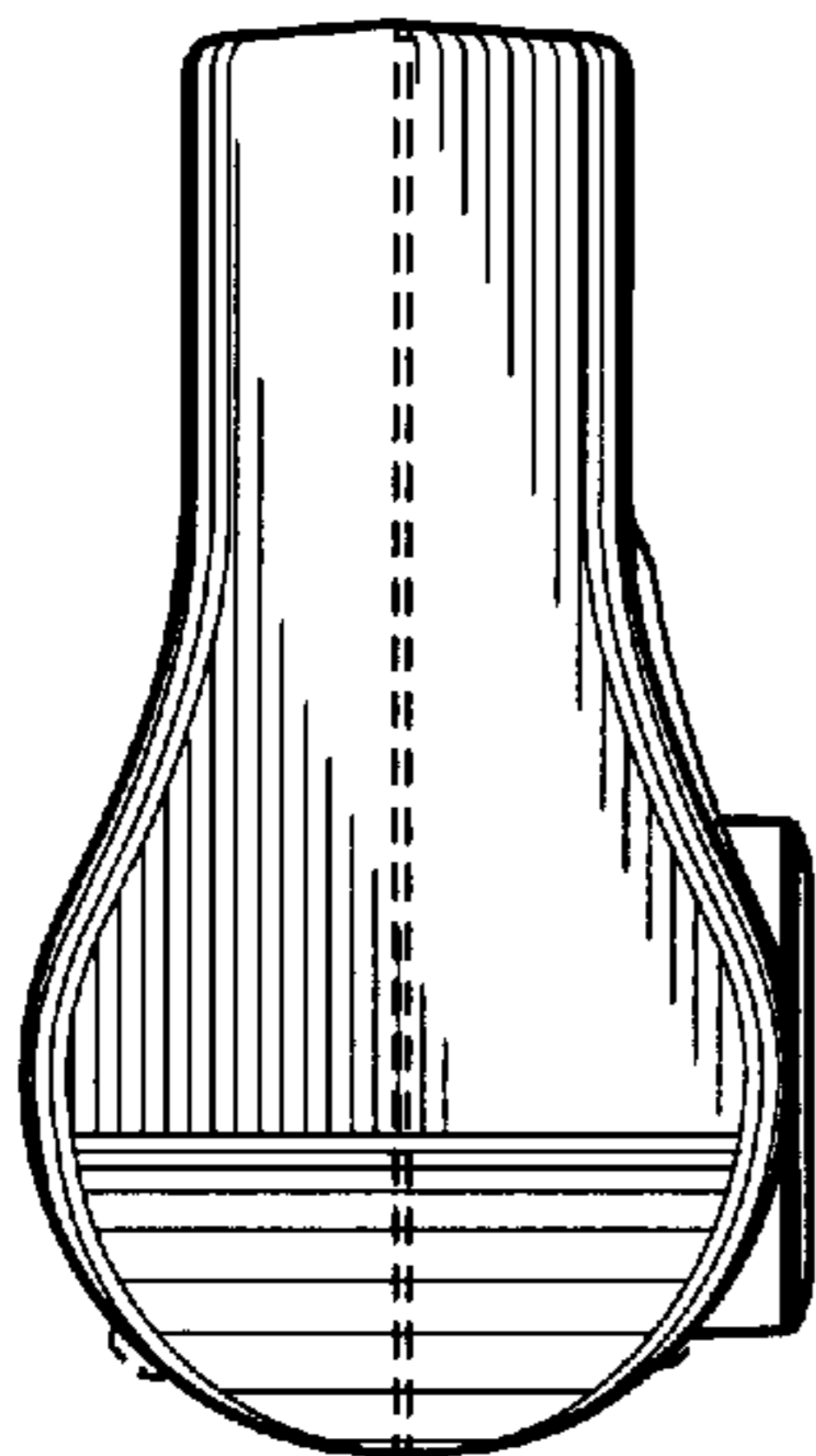


FIG. 6

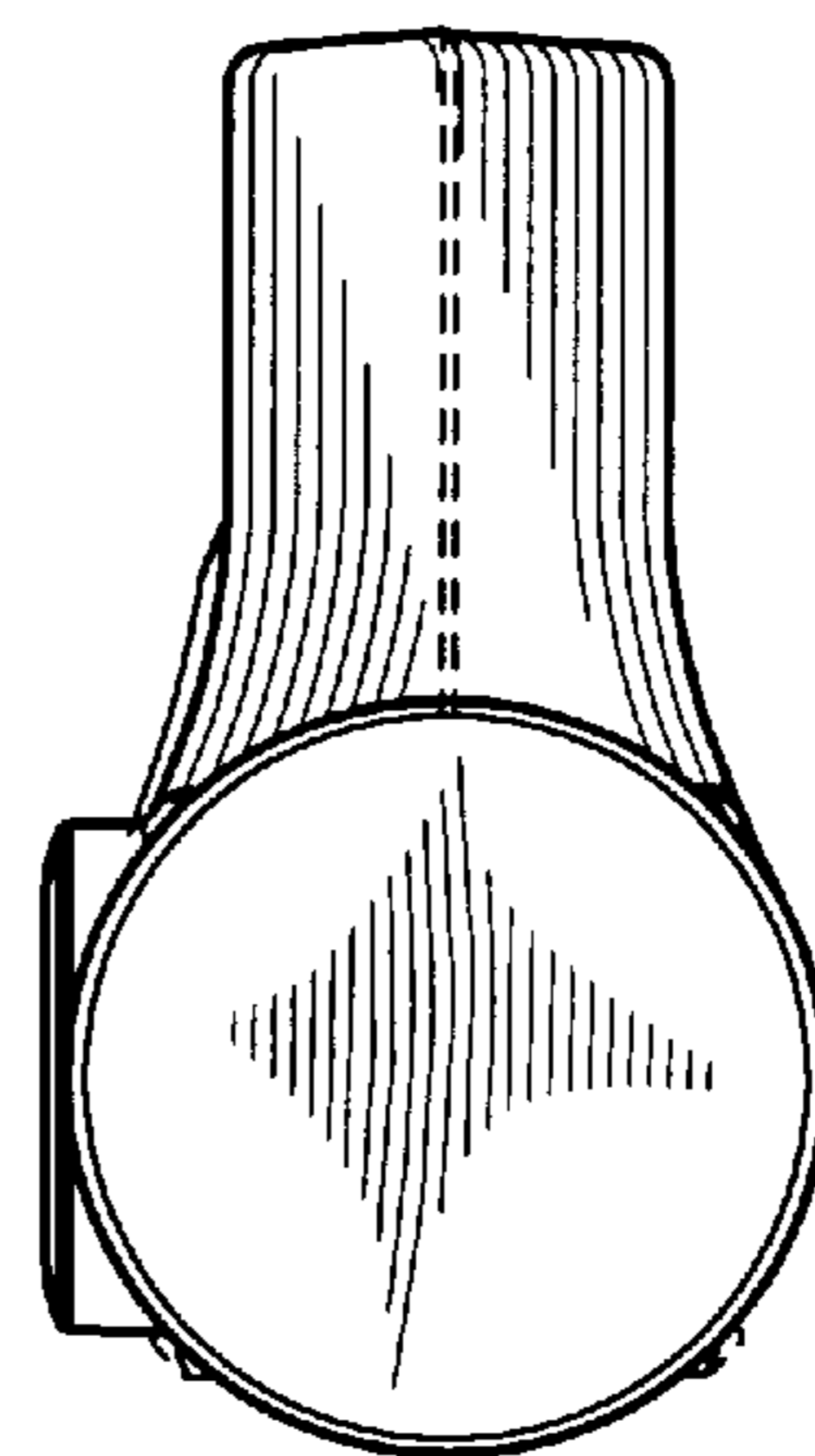


FIG. 7