



US00D489057S

(12) **United States Design Patent**
Obata et al.

(10) **Patent No.:** **US D489,057 S**
(45) **Date of Patent:** **** Apr. 27, 2004**

(54) **MICROPHONE**

(75) Inventors: **Shinichi Obata**, Tokyo (JP); **Hidefumi Goto**, Tokyo (JP)

(73) Assignee: **Sony Corporation**, Tokyo (JP)

(**) Term: **14 Years**

(21) Appl. No.: **29/167,658**

(22) Filed: **Sep. 19, 2002**

(51) **LOC (7) Cl.** **14-01**

(52) **U.S. Cl.** **D14/225**

(58) **Field of Search** D14/205–206,
D14/227–228, 226, 229, 225; 181/158,
242; 381/91, 122; 379/430–431

(56) **References Cited**

U.S. PATENT DOCUMENTS

3,258,544	A	*	6/1966	De Haan	381/91
D248,231	S	*	6/1978	Goldman et al.	D14/225
D355,915	S	*	2/1995	Chan	D14/225
D383,758	S	*	9/1997	Emerson et al.	D14/228
D413,602	S	*	9/1999	Chen	D14/228
D418,513	S		1/2000	Suzuki et al.		
D431,817	S	*	10/2000	Yuyama et al.	D14/227

OTHER PUBLICATIONS

Web page “Sony eCatalog,” <http://www.ecat.sony.co.jp/avacc/mic/acc/index.cfm?PD=885>, 1 sheet, Sony (Jun. 2002).

Web page “audio-technica,” <http://www.audio-technica.co.jp/products.mic/at9830.html>, 1 sheet, Kabushiki Kaisha Audio Technica (Jun. 2002).

Web page “audio-technica,” <http://www.audio-technica.co.jp/products.mic/at9841.html>, 1 sheet, Kabushiki Kaisha Audio Technica (Jun. 2002).

* cited by examiner

Primary Examiner—Paula A. Mortimer

(74) *Attorney, Agent, or Firm*—Rader, Fishman & Grauer PLLC

(57) **CLAIM**

The ornamental design for a microphone, as shown.

DESCRIPTION

FIG. 1 is a perspective view of a microphone showing our new design;

FIG. 2 is a front elevational view thereof;

FIG. 3 is a rear elevational view thereof;

FIG. 4 is a left side elevational view thereof;

FIG. 5 is a right side elevational view thereof;

FIG. 6 is a top plan view thereof; and,

FIG. 7 is a bottom plan view thereof.

1 Claim, 4 Drawing Sheets

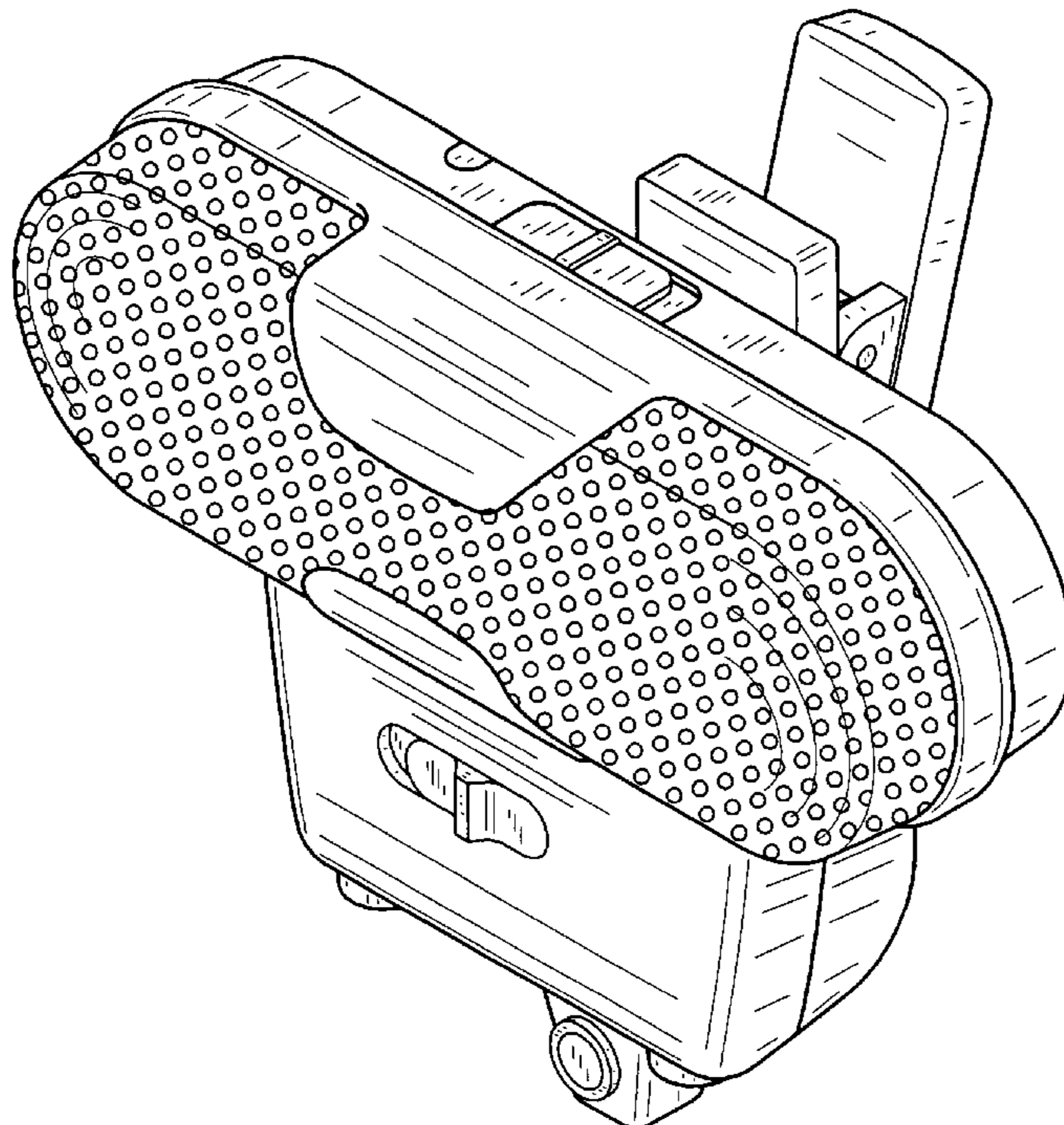


FIG. 1

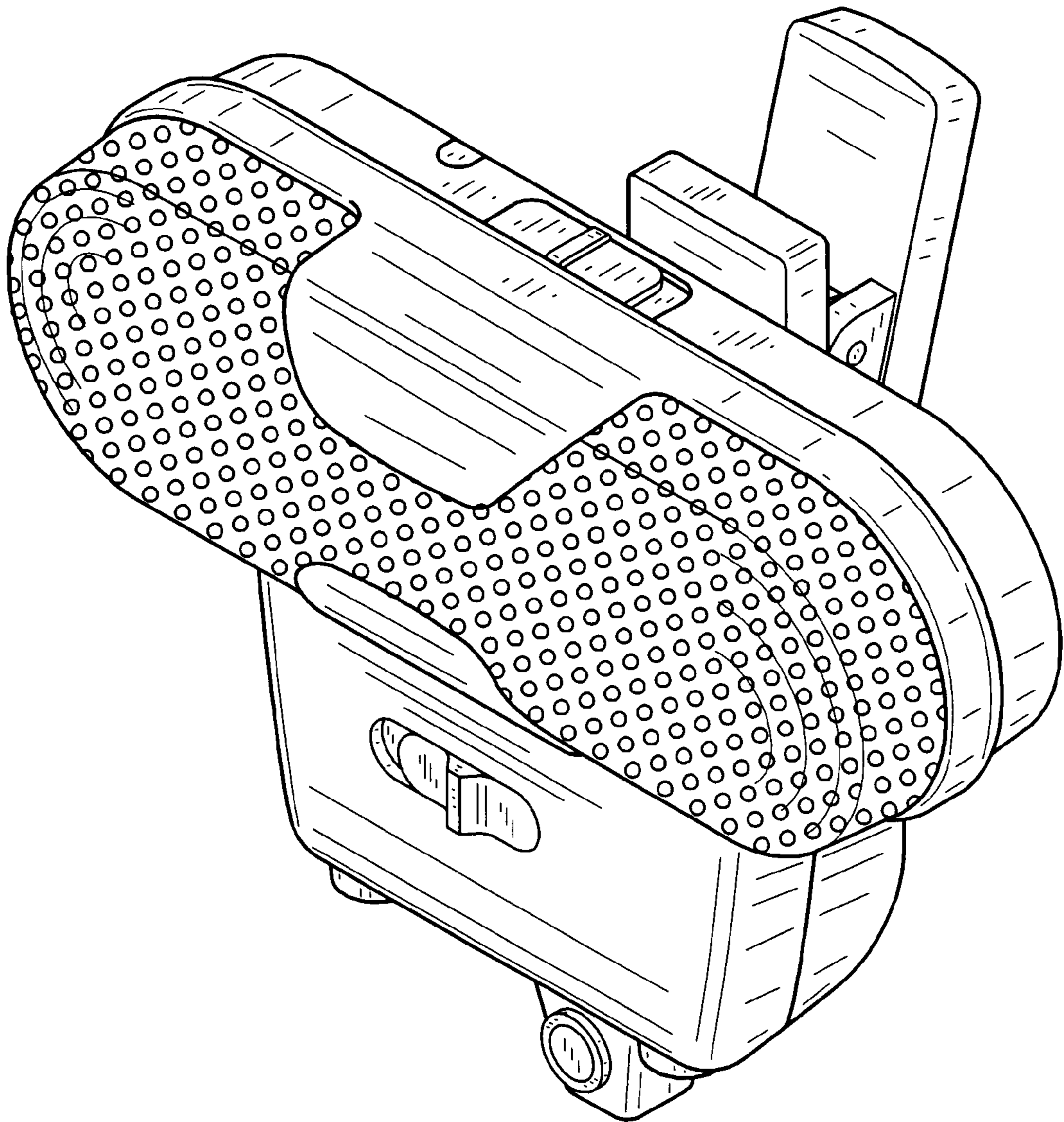


FIG. 2

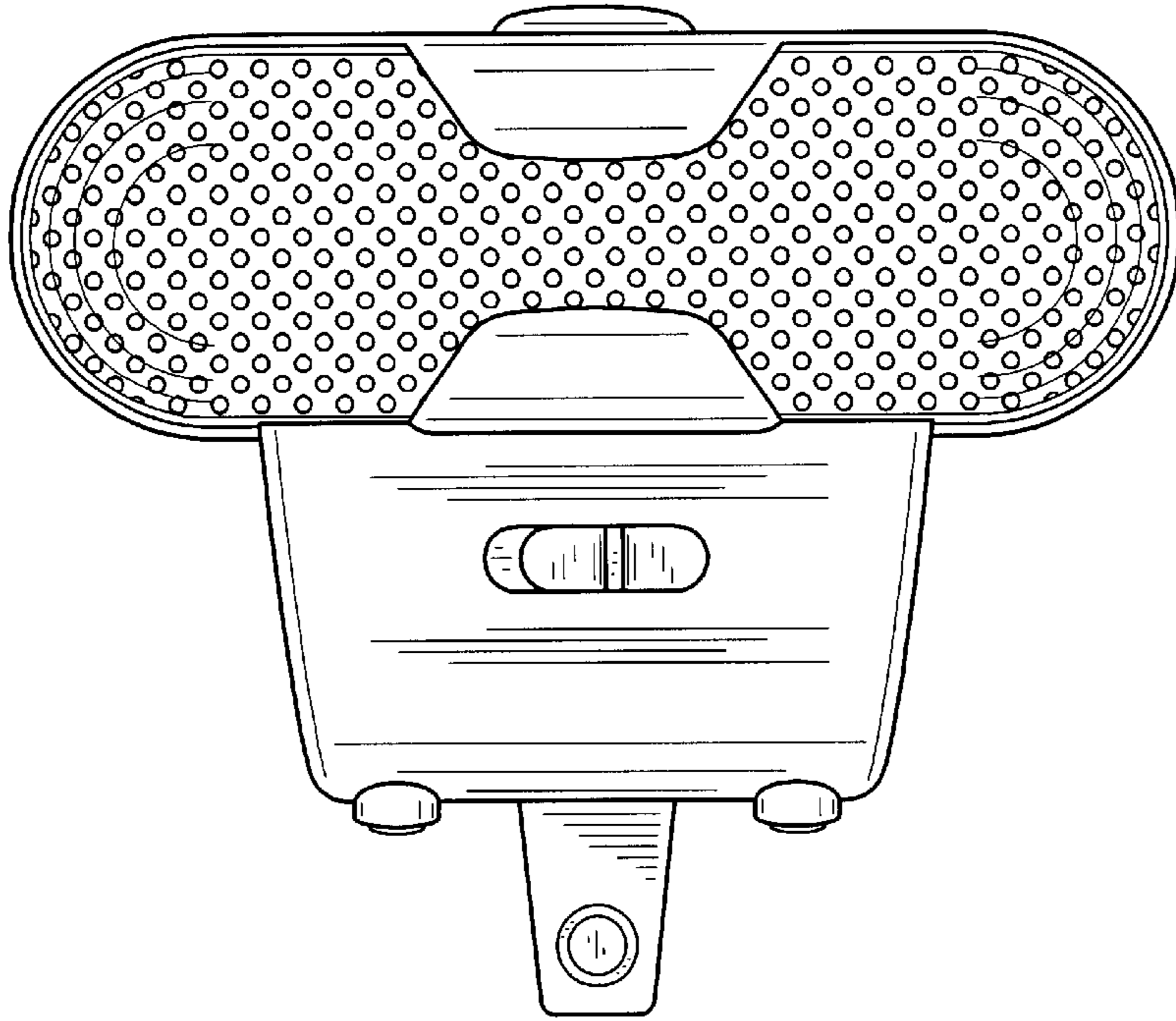


FIG. 3

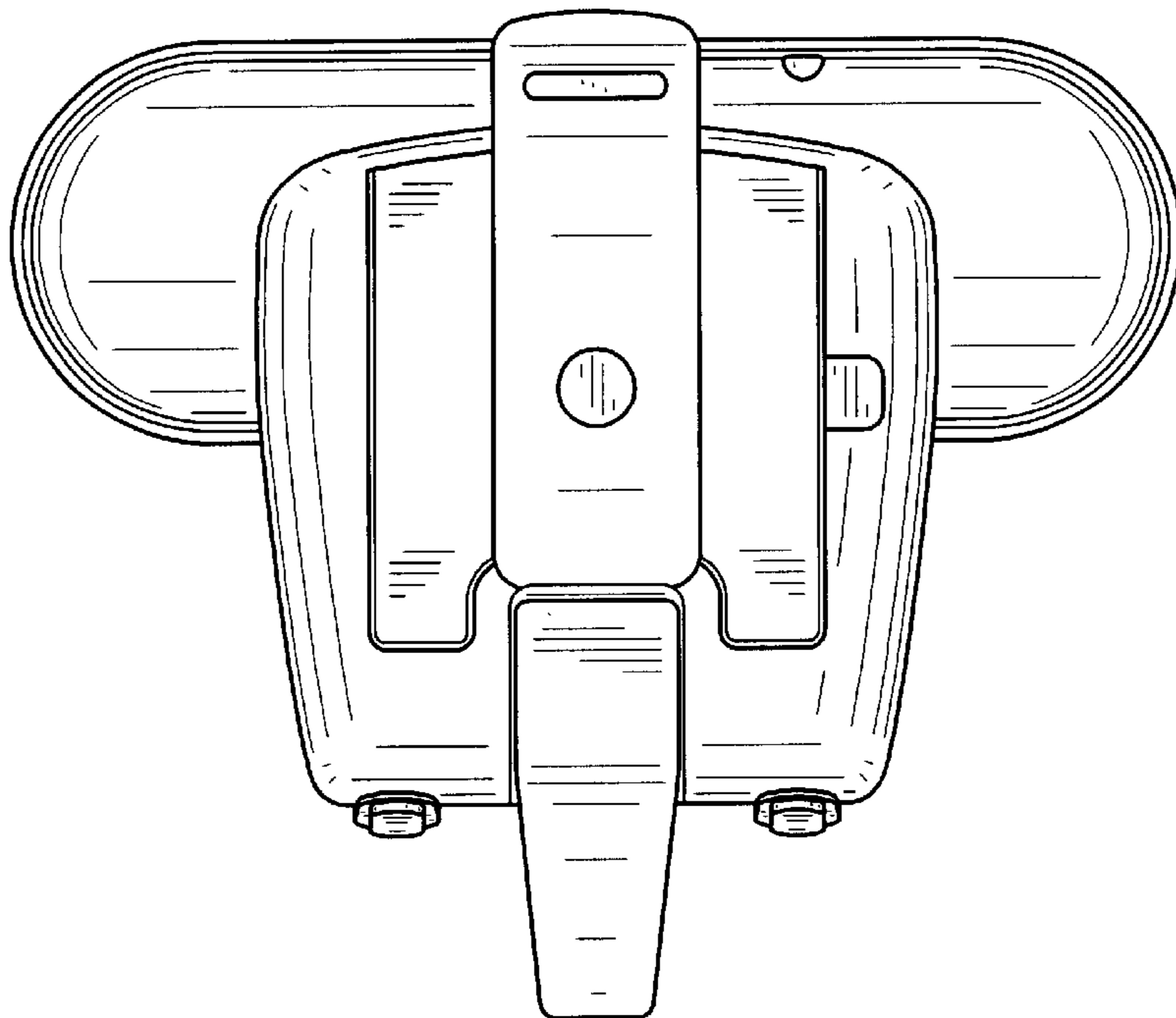


FIG. 4

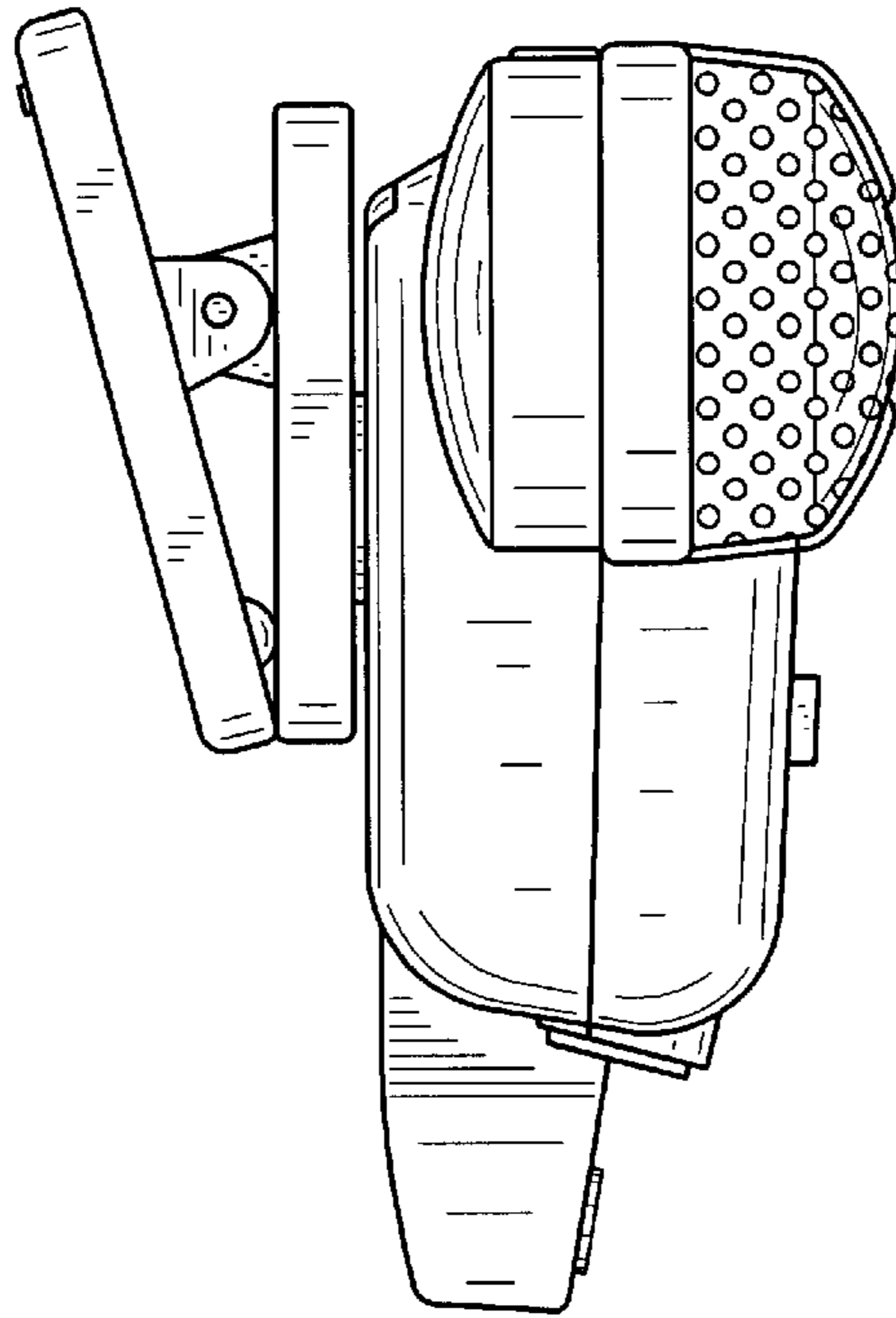


FIG. 5

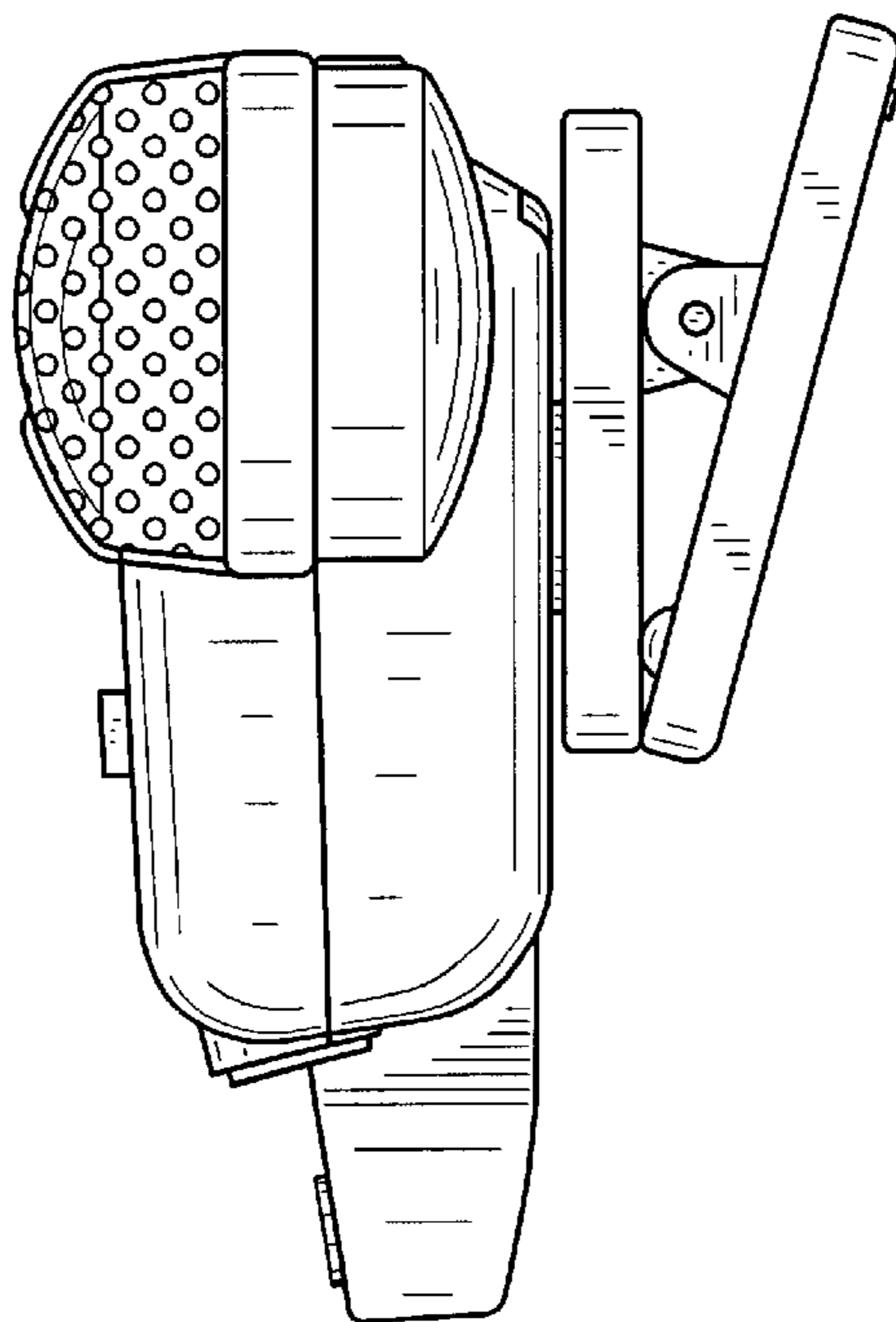


FIG. 6

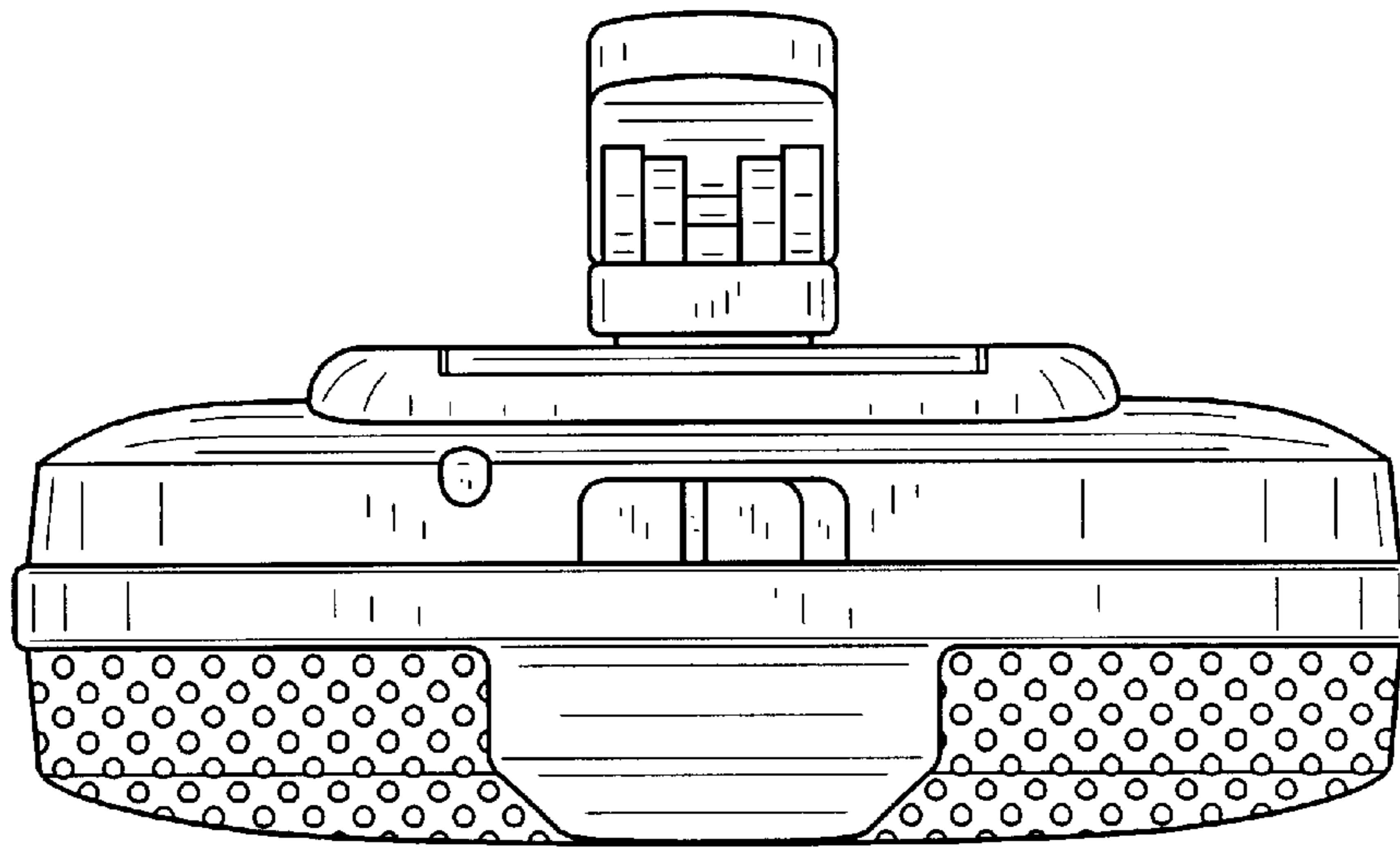


FIG. 7

