



US00D489051S

(12) **United States Design Patent**  
**Shiraki et al.**

(10) **Patent No.:** **US D489,051 S**  
(45) **Date of Patent:** **\*\* Apr. 27, 2004**

(54) **PORTION OF DIGITAL AUDIO PLAYER**

**FOREIGN PATENT DOCUMENTS**

(75) Inventors: **Masazumi Shiraki**, Yokohama (JP);  
**Yuji Katayama**, Tokyo (JP); **Toshiaki Takama**, Ageo (JP)

JP 1080913 5/2000  
JP 1106452 2/2001

**OTHER PUBLICATIONS**

(73) Assignee: **Kabushiki Kaisha Toshiba**, Tokyo (JP)

Catalog of MP3 Player (YP-SE64P),  
Catalog MP3 Player (GH-KANA2000).

(\*\*) Term: **14 Years**

\* cited by examiner

(21) Appl. No.: **29/166,586**

*Primary Examiner*—Nanda Bondade

(22) Filed: **Aug. 30, 2002**

(74) *Attorney, Agent, or Firm*—Oblon, Spivak, McClelland,  
Maier & Neustadt, P.C.

(30) **Foreign Application Priority Data**

Mar. 1, 2002 (JP) ..... 2002-005441

(57) **CLAIM**

(51) **LOC (7) Cl.** ..... **14-01**

The ornamental design for a portion of digital audio player,  
as shown and described.

(52) **U.S. Cl.** ..... **D14/156; D14/217**

**DESCRIPTION**

(58) **Field of Search** ..... D14/135-136,  
D14/156-157, 167-168, 188, 191-198,  
257-258, 160-165, 217, 299; 369/75.1,  
75.2, 77.1, 77.2; 455/344, 347, 350-351

FIG. 1 is a front, bottom and right side perspective view of  
a portion of digital audio player, showing our new design;  
FIG. 2 is a front elevational view thereof;  
FIG. 3 is a rear elevational view thereof;  
FIG. 4 is a right side elevational view thereof;  
FIG. 5 is a left side elevational view thereof;  
FIG. 6 is a top plan view thereof; and,  
FIG. 7 is a bottom plan view thereof.

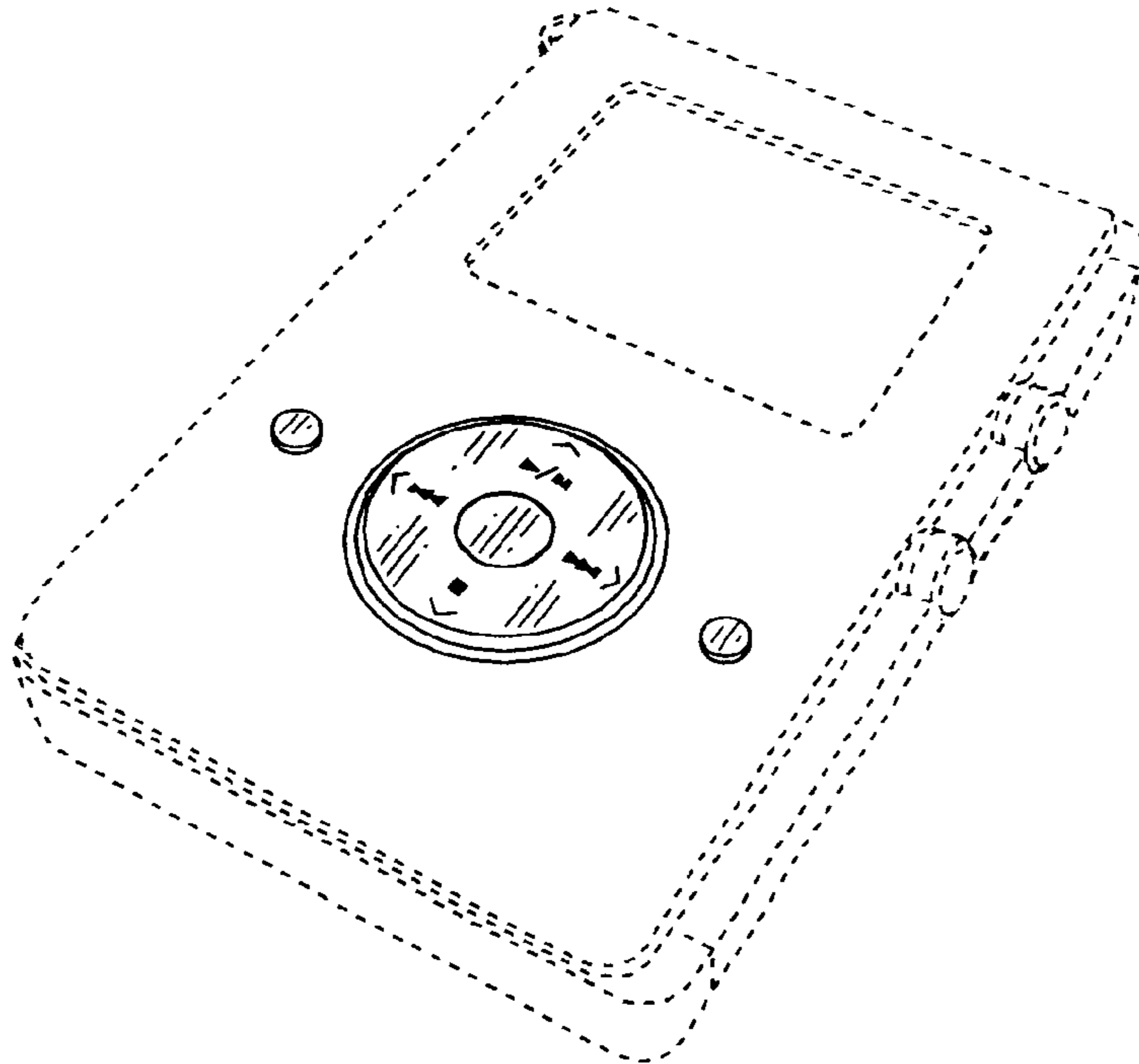
(56) **References Cited**

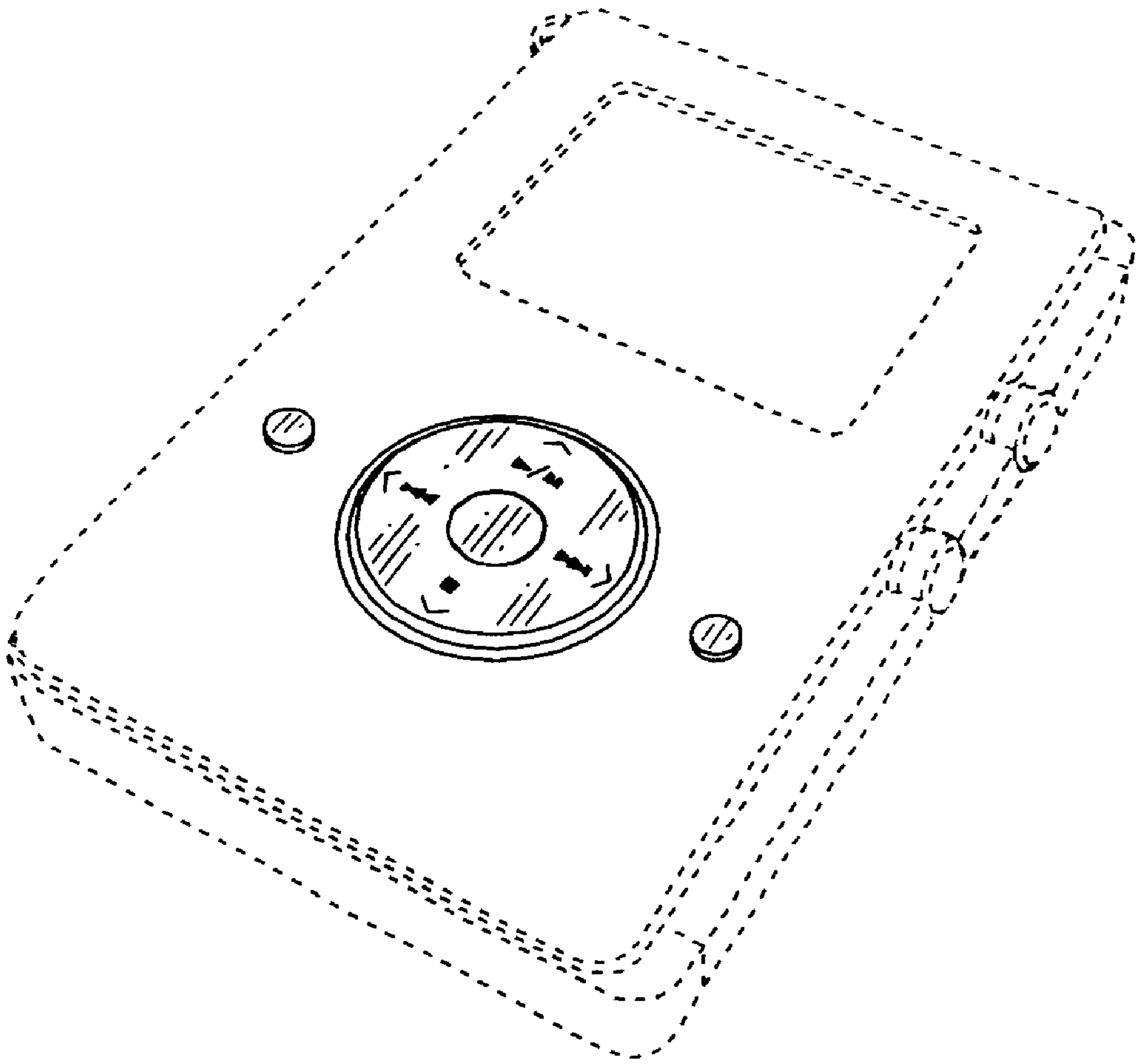
**U.S. PATENT DOCUMENTS**

D409,608 S \* 5/1999 Masamitsu ..... D14/156  
D416,897 S \* 11/1999 Ishii et al. .... D14/156  
D441,350 S \* 5/2001 Nakamura et al. .... D14/156  
D442,934 S \* 5/2001 Volanski ..... D14/156  
D444,136 S \* 6/2001 Sogabe ..... D14/156  
D445,774 S \* 7/2001 Matsuoka ..... D14/156  
D451,490 S \* 12/2001 Martres ..... D14/156

The broken line showing of the remaining parts of a portion  
of digital audio player is for illustrative purposes only and  
forms no part of the claimed design.

**1 Claim, 4 Drawing Sheets**





**Fig.1**

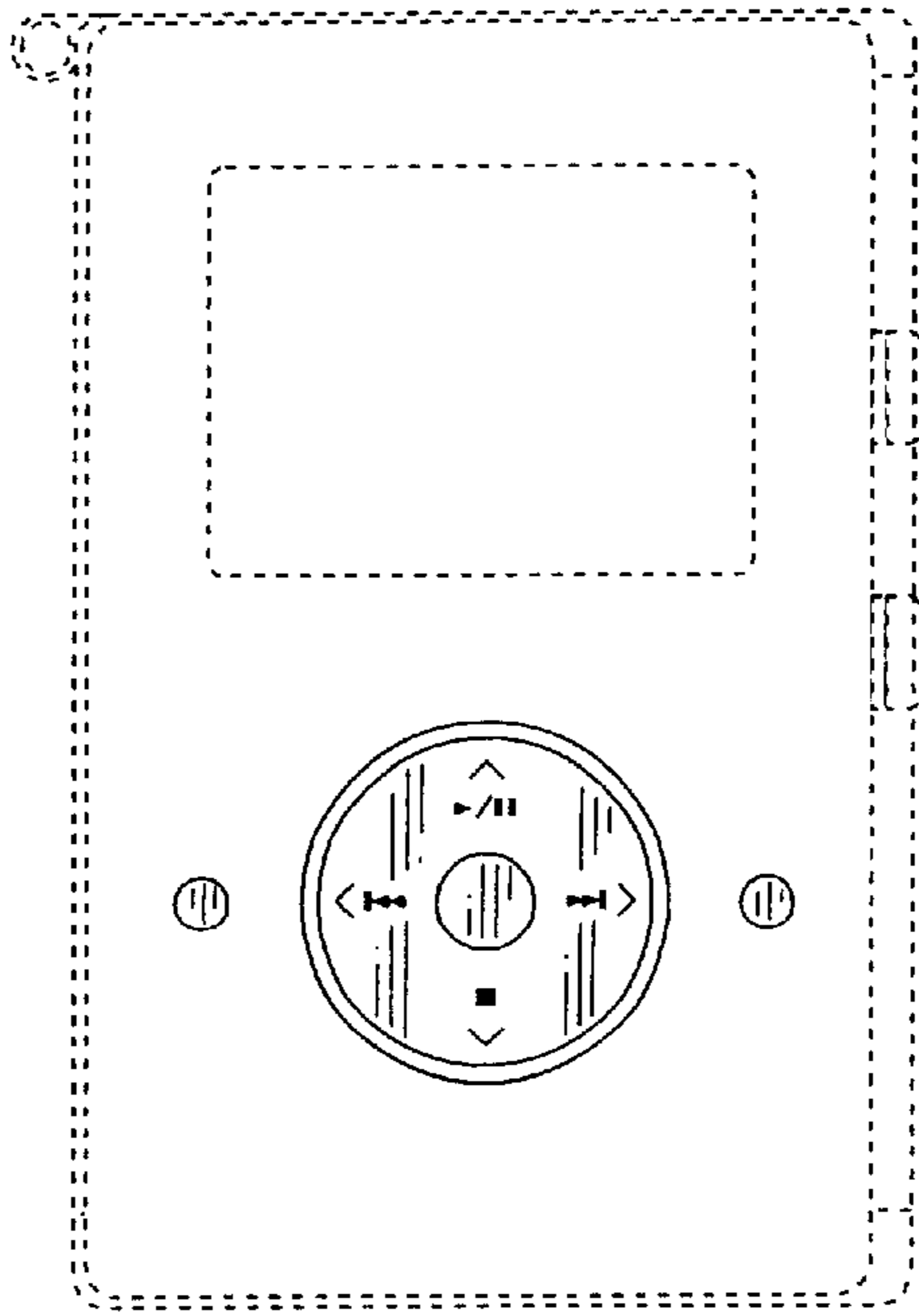


Fig.2

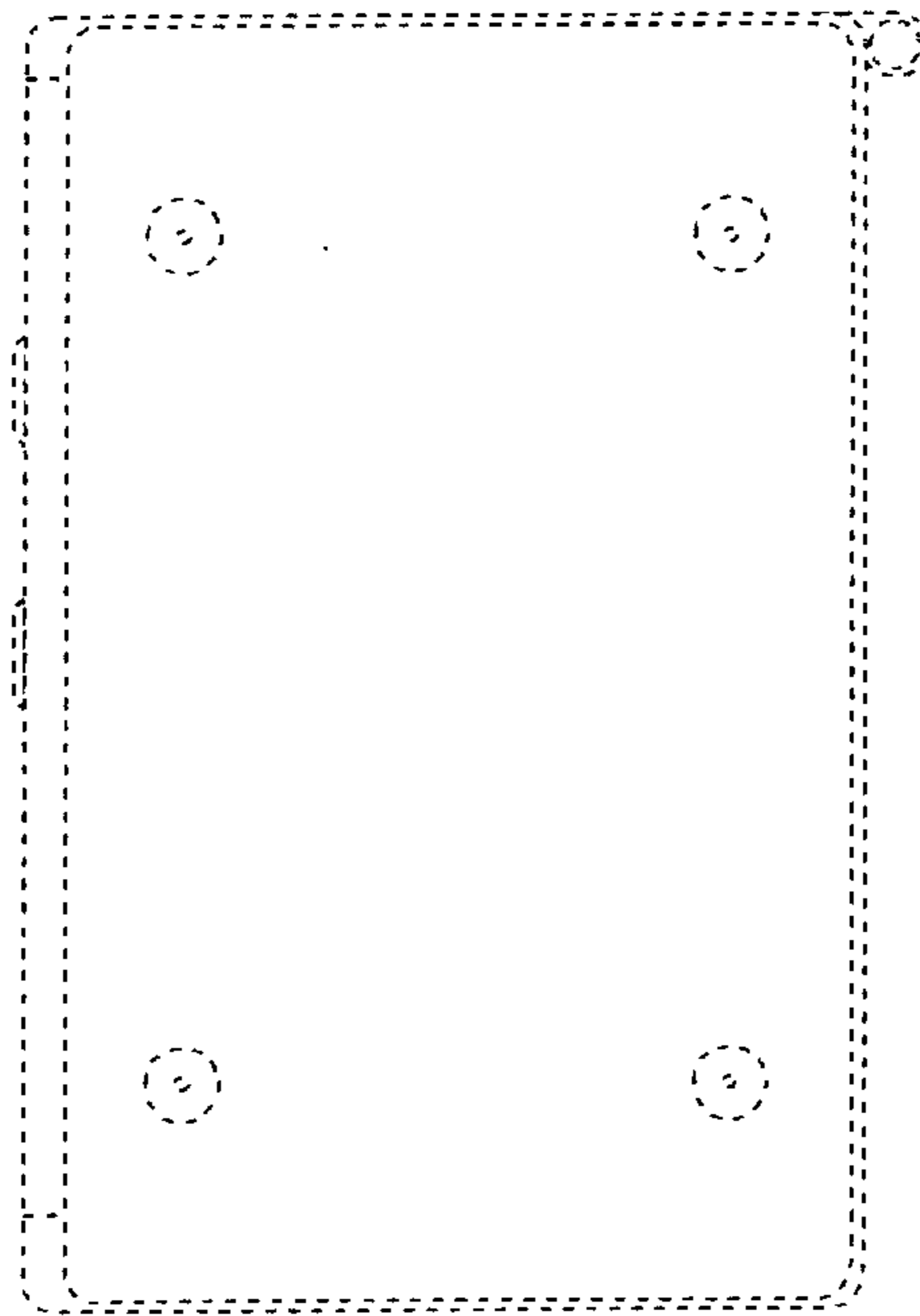
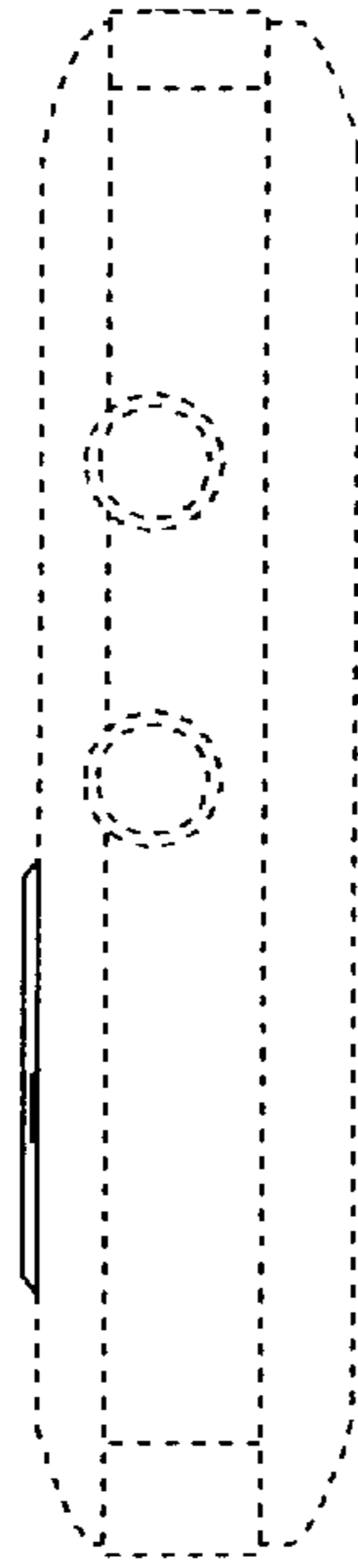
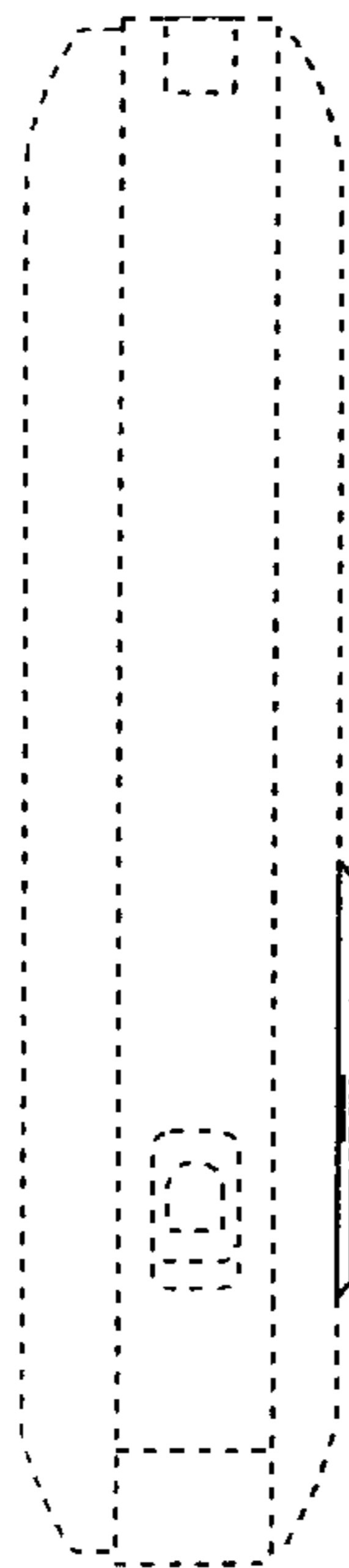


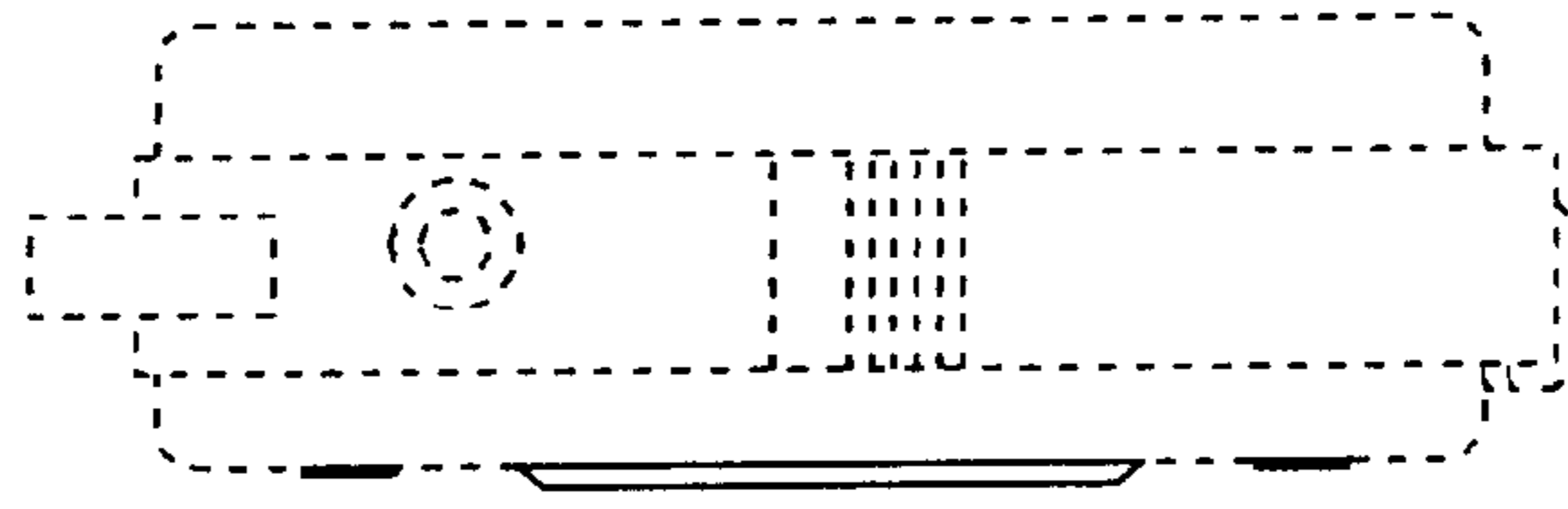
Fig.3



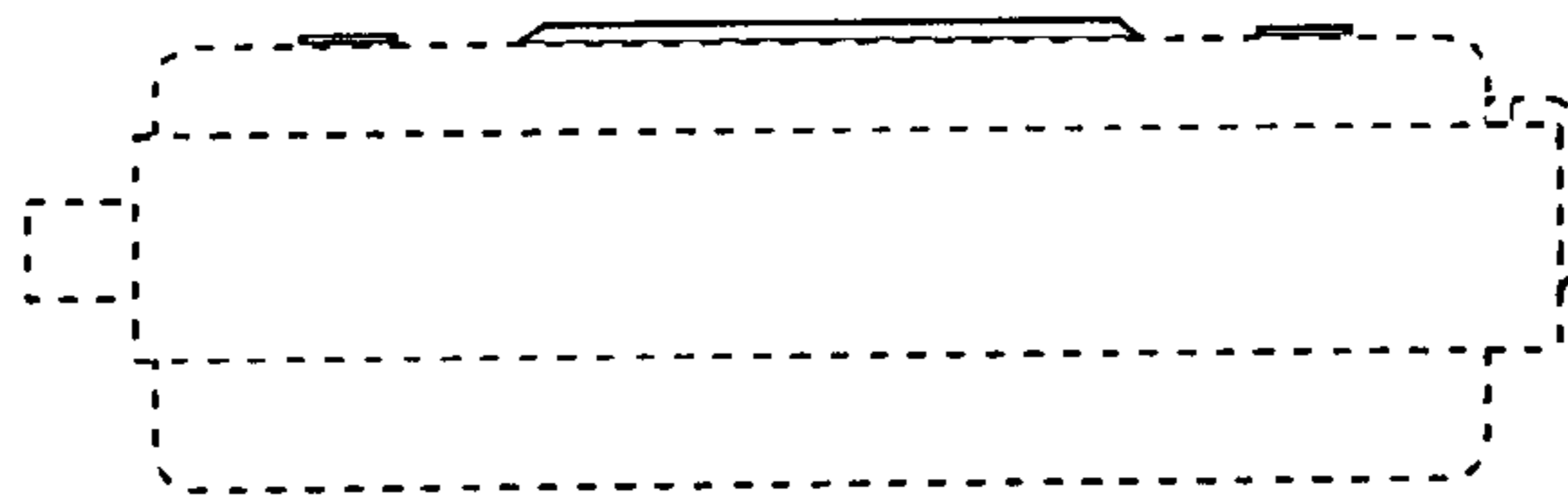
**Fig.4**



**Fig.5**



**Fig.6**



**Fig.7**